

US00D699303S

(12) **United States Design Patent**  
**Coulter**

(10) **Patent No.:** **US D699,303 S**

(45) **Date of Patent:** **\*\* Feb. 11, 2014**

(54) **PNEUMATIC GUN BOLT**

(71) Applicant: **Todd F. Coulter**, Germantown, TN (US)

(72) Inventor: **Todd F. Coulter**, Germantown, TN (US)

(\*\*) Term: **14 Years**

(21) Appl. No.: **29/433,081**

(22) Filed: **Sep. 25, 2012**

(51) **LOC (10) Cl.** ..... **21-01**

(52) **U.S. Cl.**  
USPC ..... **D21/573**

(58) **Field of Classification Search**  
USPC ..... D21/567, 570, 572, 573, 574, 575;  
D22/100, 101, 103, 108, 109; 124/25,  
124/41.1, 45, 49, 51.1, 55, 56, 69, 70-74,  
124/76, 79; 42/15, 16, 69.02, 69.03, 142;  
89/1.42

See application file for complete search history.

(56) **References Cited**

**U.S. PATENT DOCUMENTS**

6,213,112 B1 \* 4/2001 Squire ..... 124/74  
D478,146 S \* 8/2003 Wygant ..... D22/108  
6,715,480 B2 \* 4/2004 Dziob ..... 124/73  
7,077,117 B1 \* 7/2006 Chu ..... 124/32

D571,415 S \* 6/2008 Jones ..... D21/573  
7,591,262 B2 \* 9/2009 Jones et al. .... 124/77  
7,870,852 B2 \* 1/2011 Halmone ..... 124/77  
8,176,908 B2 \* 5/2012 Dobbins ..... 124/73  
8,286,621 B2 \* 10/2012 Halmone ..... 124/74  
D679,342 S \* 4/2013 Coulter ..... D21/573  
2002/0046748 A1 \* 4/2002 Hernandez ..... 124/73  
2004/0255923 A1 \* 12/2004 Carnall et al. .... 124/73  
2007/0283942 A1 \* 12/2007 Tai et al. .... 124/67

\* cited by examiner

*Primary Examiner* — Cynthia M Chin

(74) *Attorney, Agent, or Firm* — QuickPatents; Kevin Prince

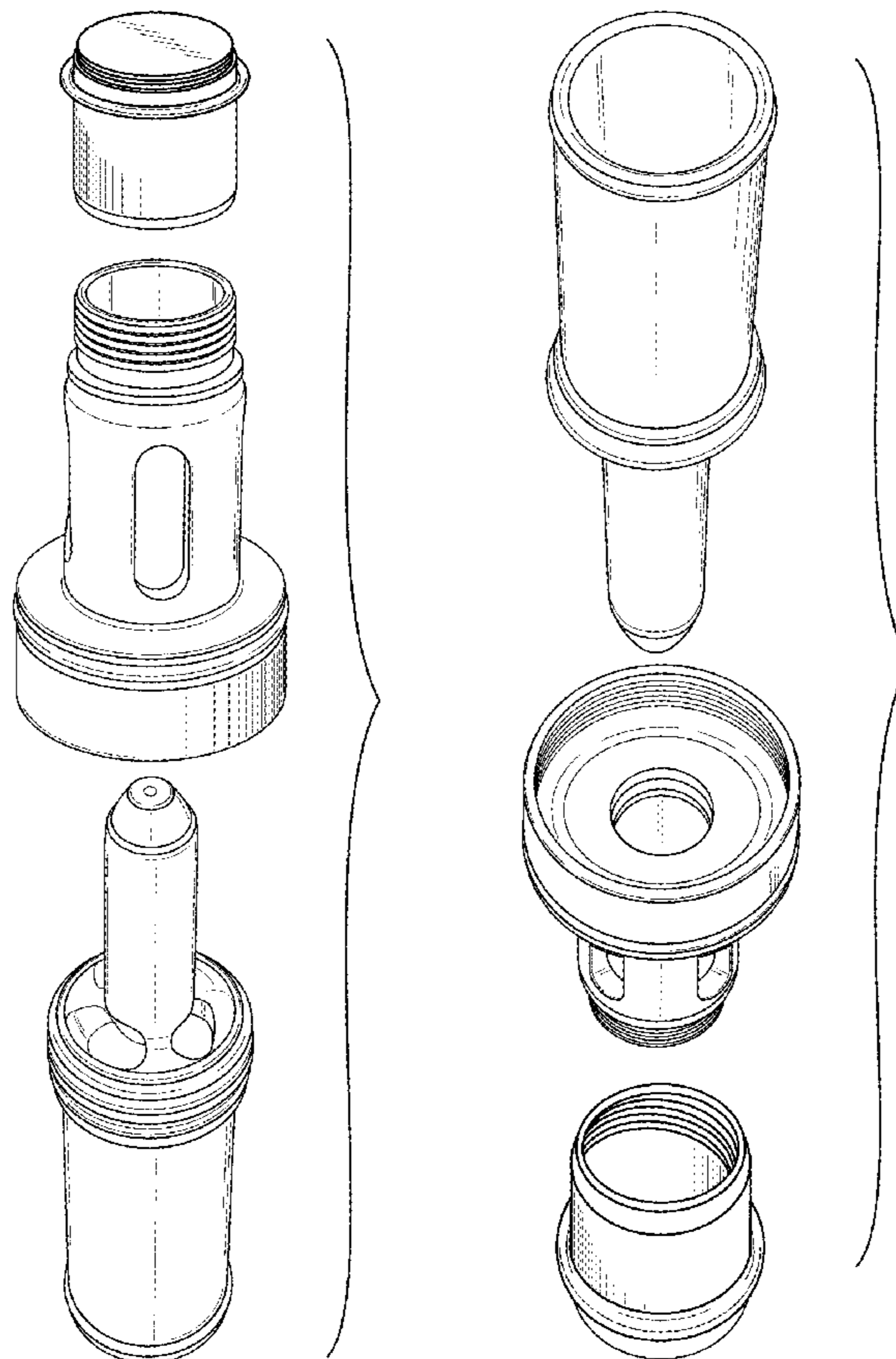
(57) **CLAIM**

I claim the ornamental design for a pneumatic gun bolt, as shown and described.

**DESCRIPTION**

FIG. 1 is a partially exploded top perspective view of a pneumatic gun bolt, showing my new design;  
FIG. 2 is an exploded top perspective view thereof;  
FIG. 3 is a bottom perspective view thereof;  
FIG. 4 is an exploded bottom perspective view thereof;  
FIG. 5 is an exploded front elevational view thereof, the rear elevational view being a mirror image thereof;  
FIG. 6 is an exploded top plan view thereof; and,  
FIG. 7 is an exploded bottom plan view thereof.

**1 Claim, 3 Drawing Sheets**



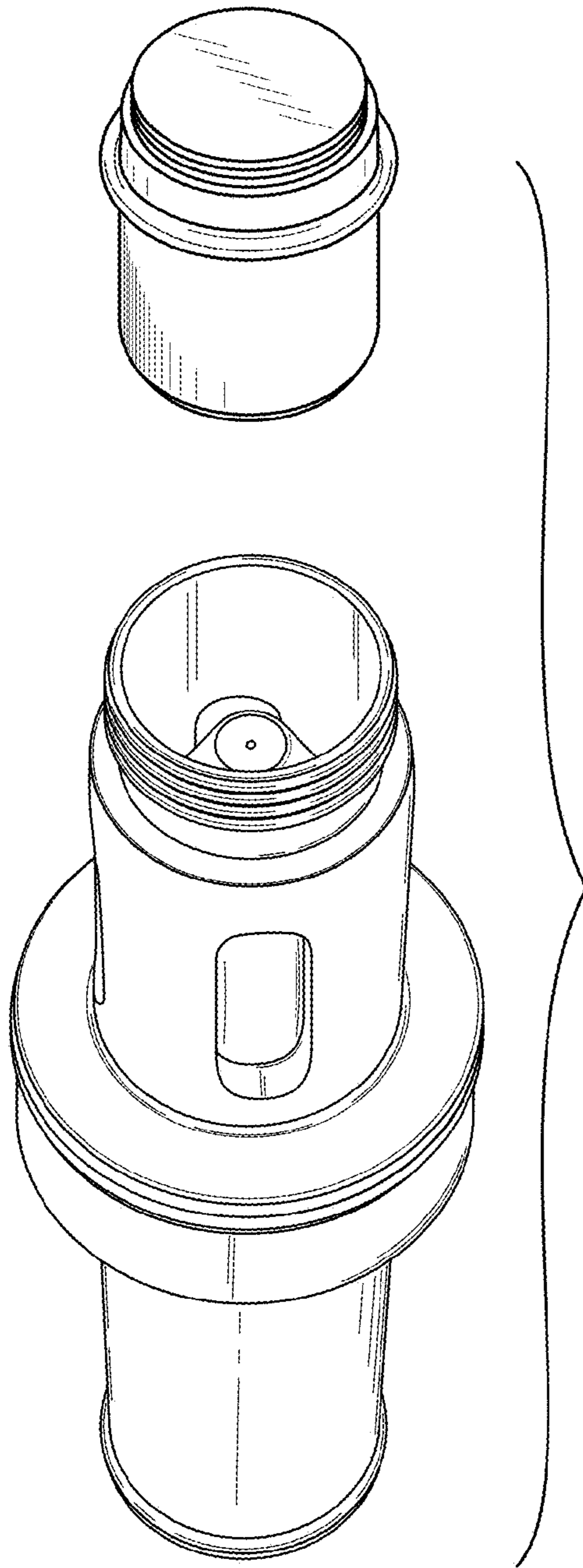


FIG. 1

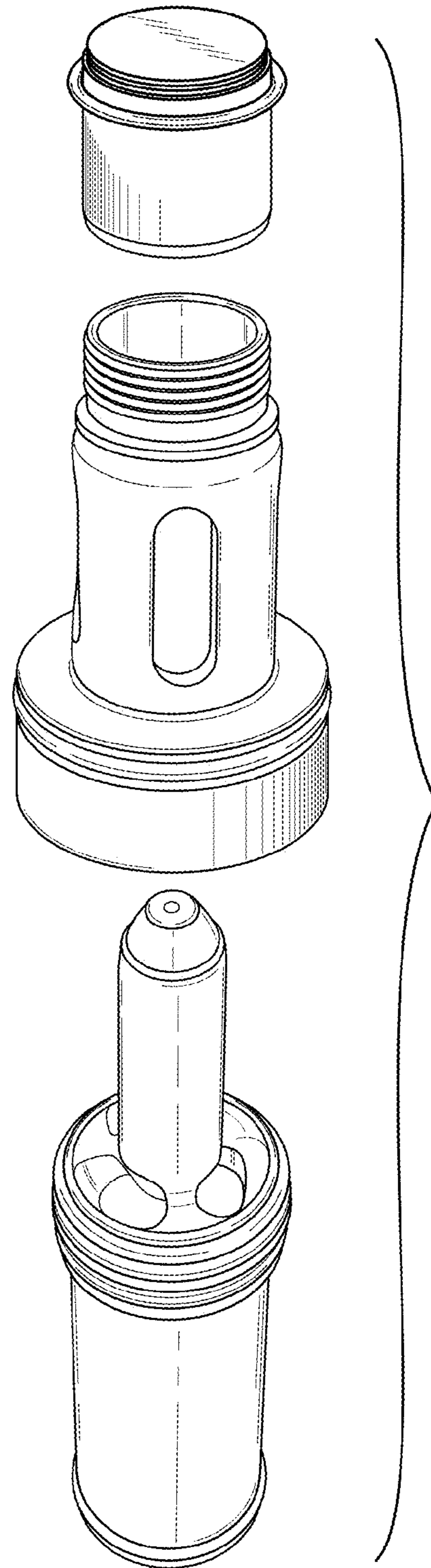


FIG. 2

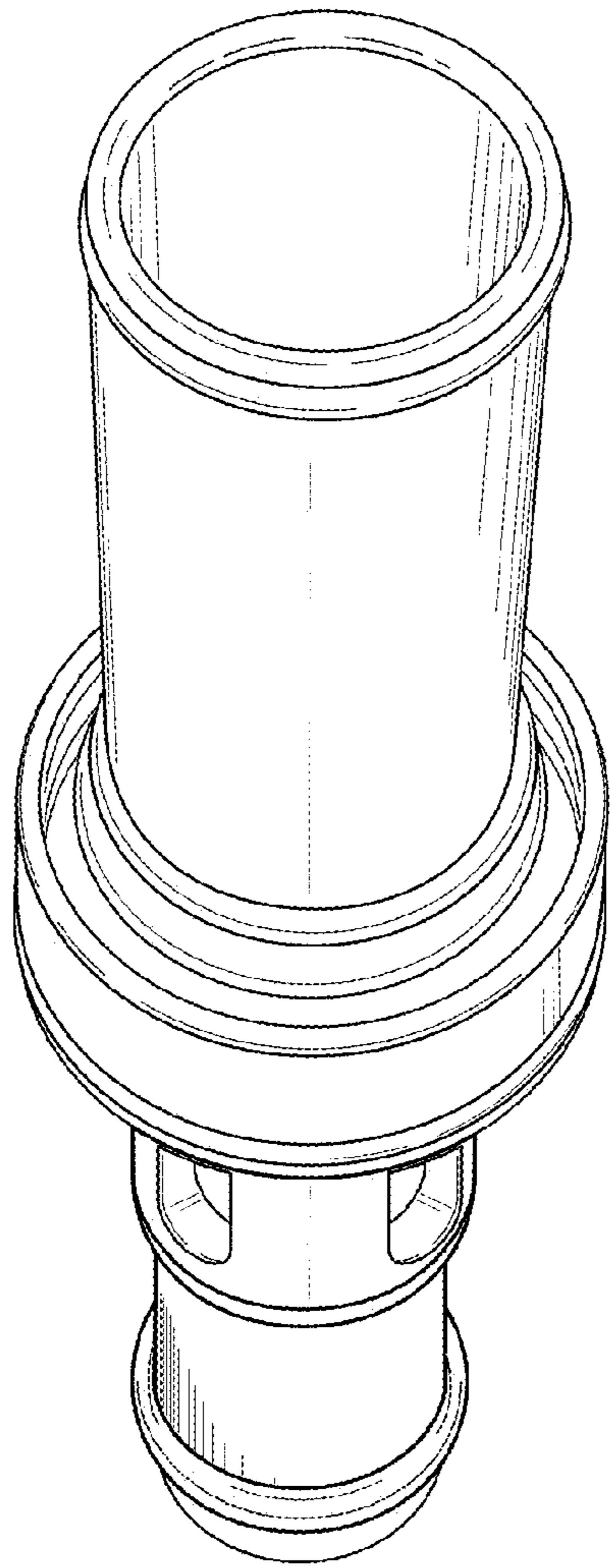


FIG. 3

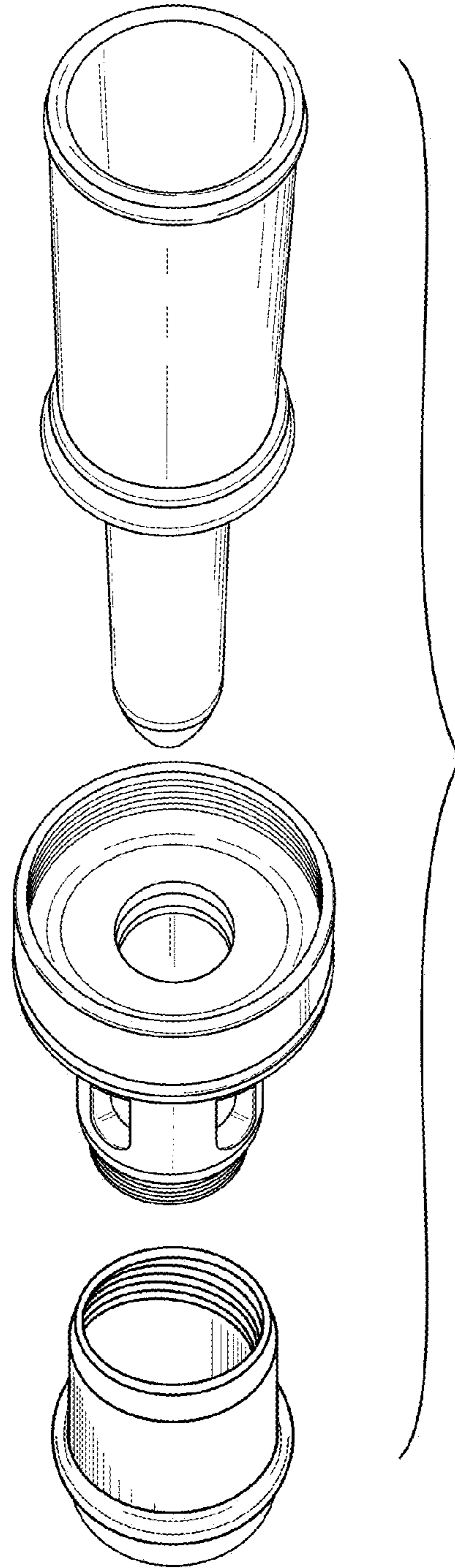


FIG. 4

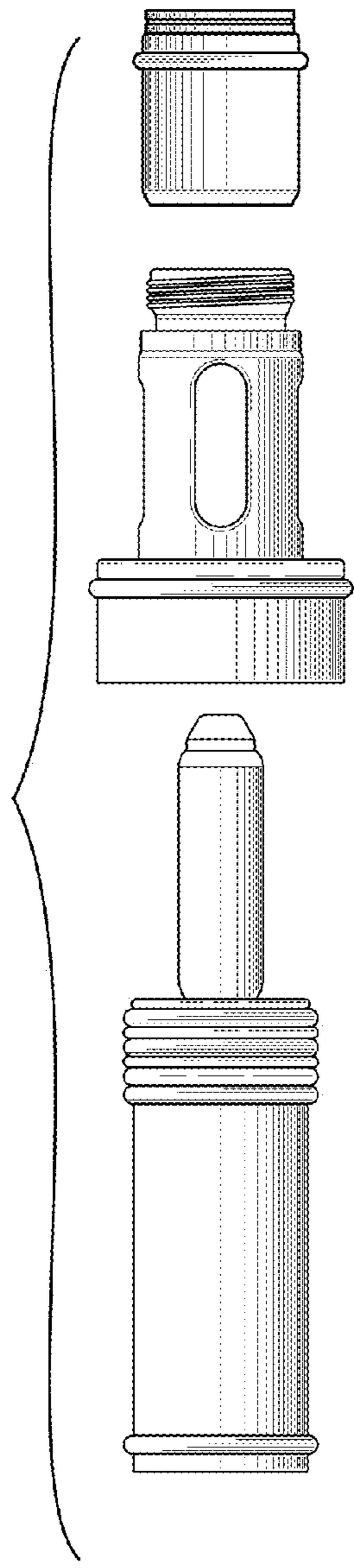


FIG. 5

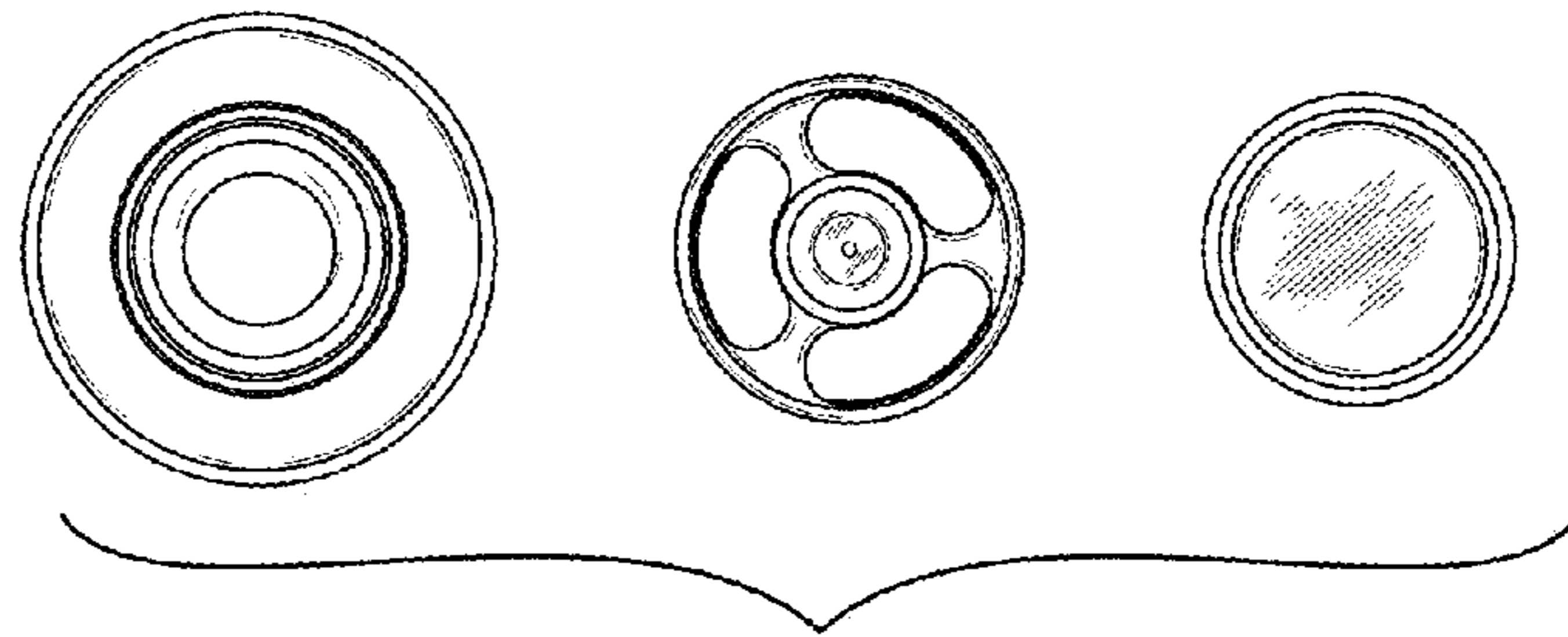


FIG. 6

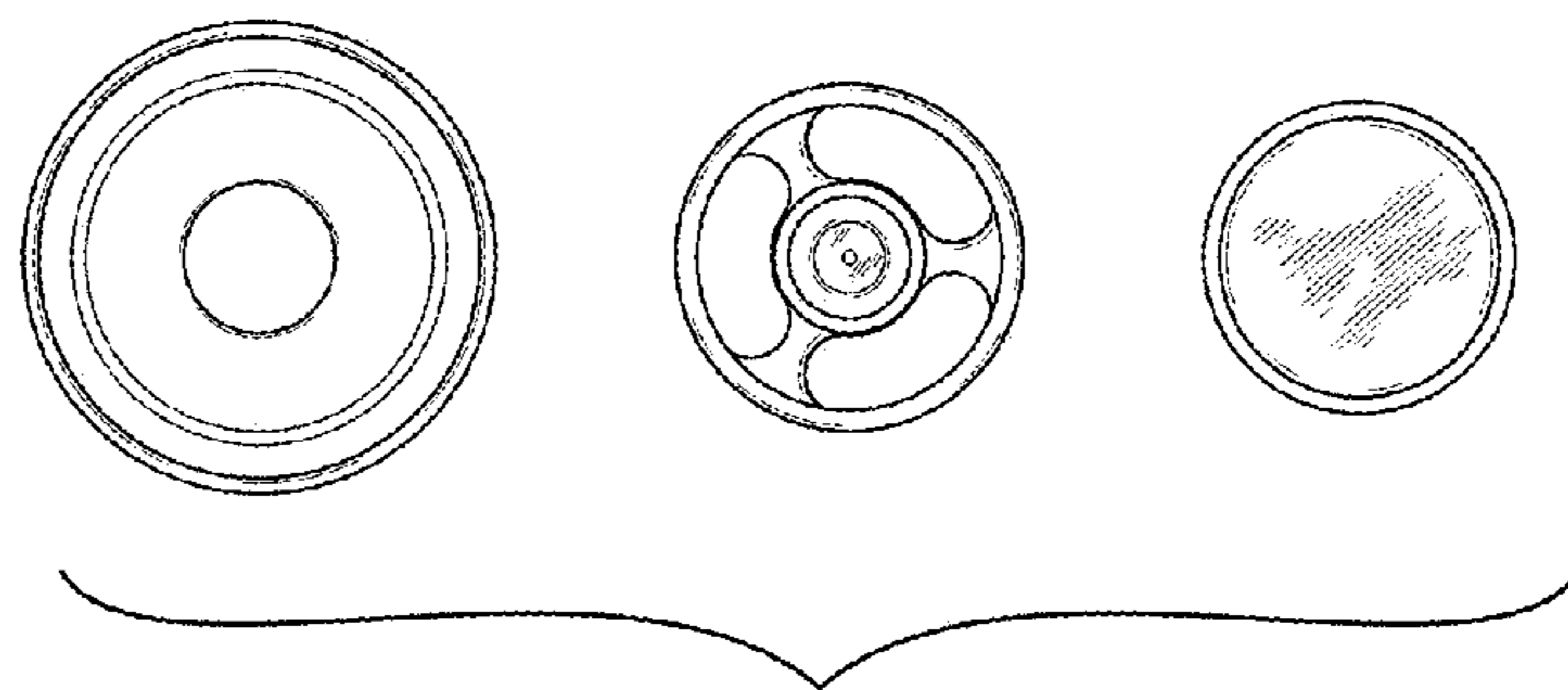


FIG. 7