



US00D699301S

(12) **United States Design Patent**
Pak

(10) **Patent No.:** **US D699,301 S**

(45) **Date of Patent:** **** Feb. 11, 2014**

(54) **NOVELTY VEHICLE MOBILE DEVICE HOUSING**

(76) Inventor: **Chae Pak**, Portland, OR (US)

(**) Term: **14 Years**

(21) Appl. No.: **29/415,030**

(22) Filed: **Mar. 6, 2012**

(51) **LOC (10) Cl.** **21-01**

(52) **U.S. Cl.**
USPC **D21/548**; D14/143

(58) **Field of Classification Search**
USPC D14/137, 144, 147, 148, 149, 150, 168,
D14/170–171, 188, 189, 193–198, 207;
D21/516, 548, 549, 551; 446/431, 456,
446/465–466; 455/344, 345
See application file for complete search history.

(56) **References Cited**

U.S. PATENT DOCUMENTS

D291,570 S *	8/1987	Basch	D14/143
D295,301 S *	4/1988	Matsumoto	D21/581
5,069,649 A *	12/1991	Wu	446/288
D339,340 S *	9/1993	Gobindram	D14/143
D381,256 S *	7/1997	Garner	D8/373

(Continued)

OTHER PUBLICATIONS

ToyWonders1. 92489PW Jada Toys Bigtime Muscle—2010 Chevy Camaro SS Hard Top. YouTube. Nov. 7, 2010 [online], [retrieved on Oct. 1, 2012]. Retrieved from the Internet <URL: <http://www.youtube.com/watch?v=4vGj1FgJboll>>.*

(Continued)

Primary Examiner — Philip S Hyder

Assistant Examiner — Darlington Ly

(74) *Attorney, Agent, or Firm* — Mohr Intellectual Property Law Solutions, PC

(57) **CLAIM**

The ornamental design for a novelty vehicle mobile device housing, as shown and described.

DESCRIPTION

FIG. 1 is a top perspective view of a novelty vehicle mobile device housing according to one embodiment.

FIG. 2 is a front elevation view of the novelty vehicle mobile device housing.

FIG. 3 is a rear elevation view of the novelty vehicle mobile device housing.

FIG. 4 is a side elevation view of the novelty vehicle mobile device housing.

FIG. 5 is a side elevation view of the vehicle mobile device housing on an opposing side of FIG. 4.

FIG. 6 is a top view of the novelty vehicle mobile device housing.

FIG. 7 is a bottom view of the novelty vehicle mobile device housing.

FIG. 8 is a top perspective view of a novelty vehicle mobile device housing according to a second embodiment.

FIG. 9 is a front elevation view of the second embodiment of the novelty vehicle mobile device housing.

FIG. 10 is a rear elevation view of the second embodiment of the novelty vehicle mobile device housing.

FIG. 11 is a side elevation view of the second embodiment of the novelty vehicle mobile device housing.

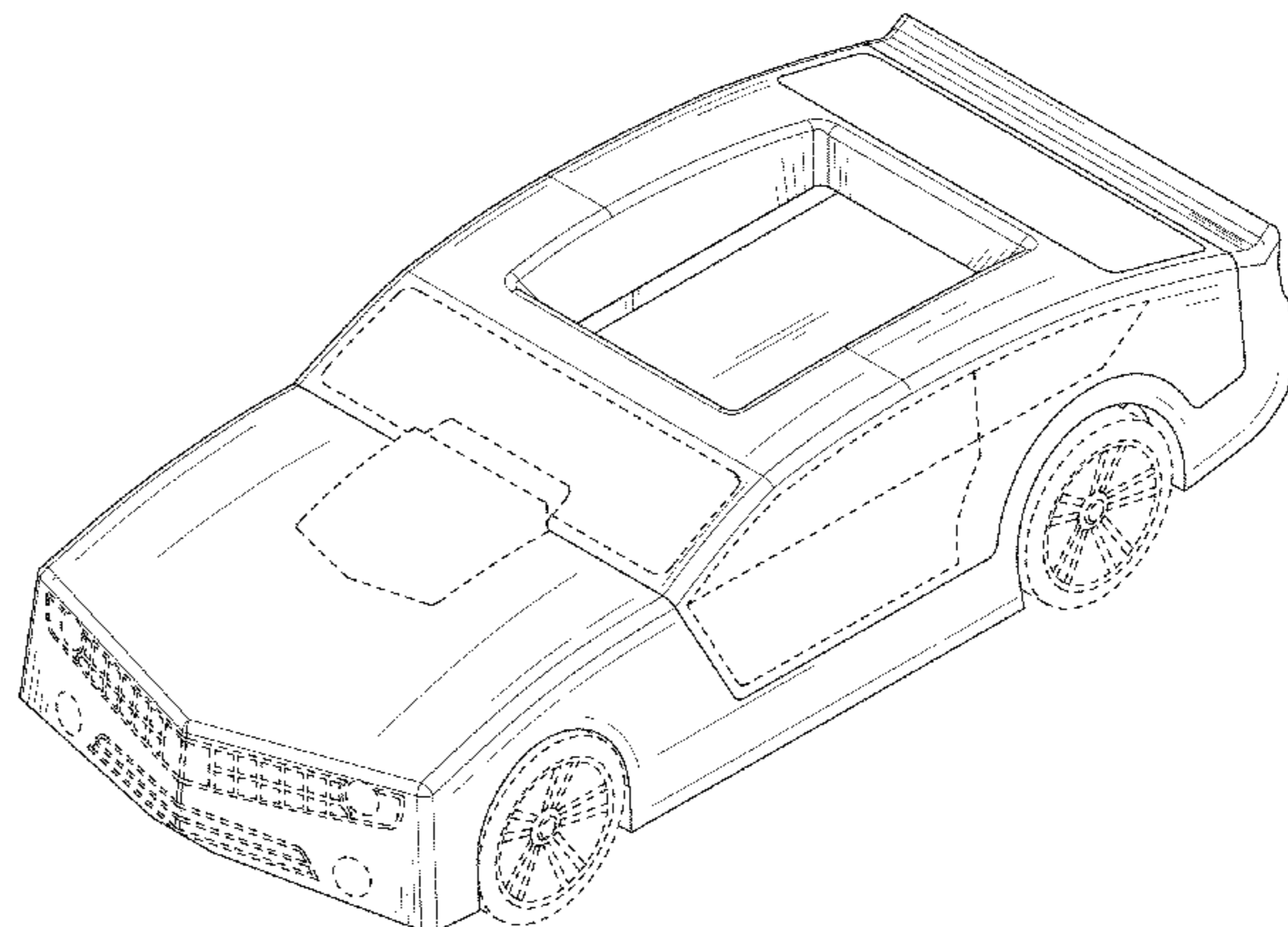
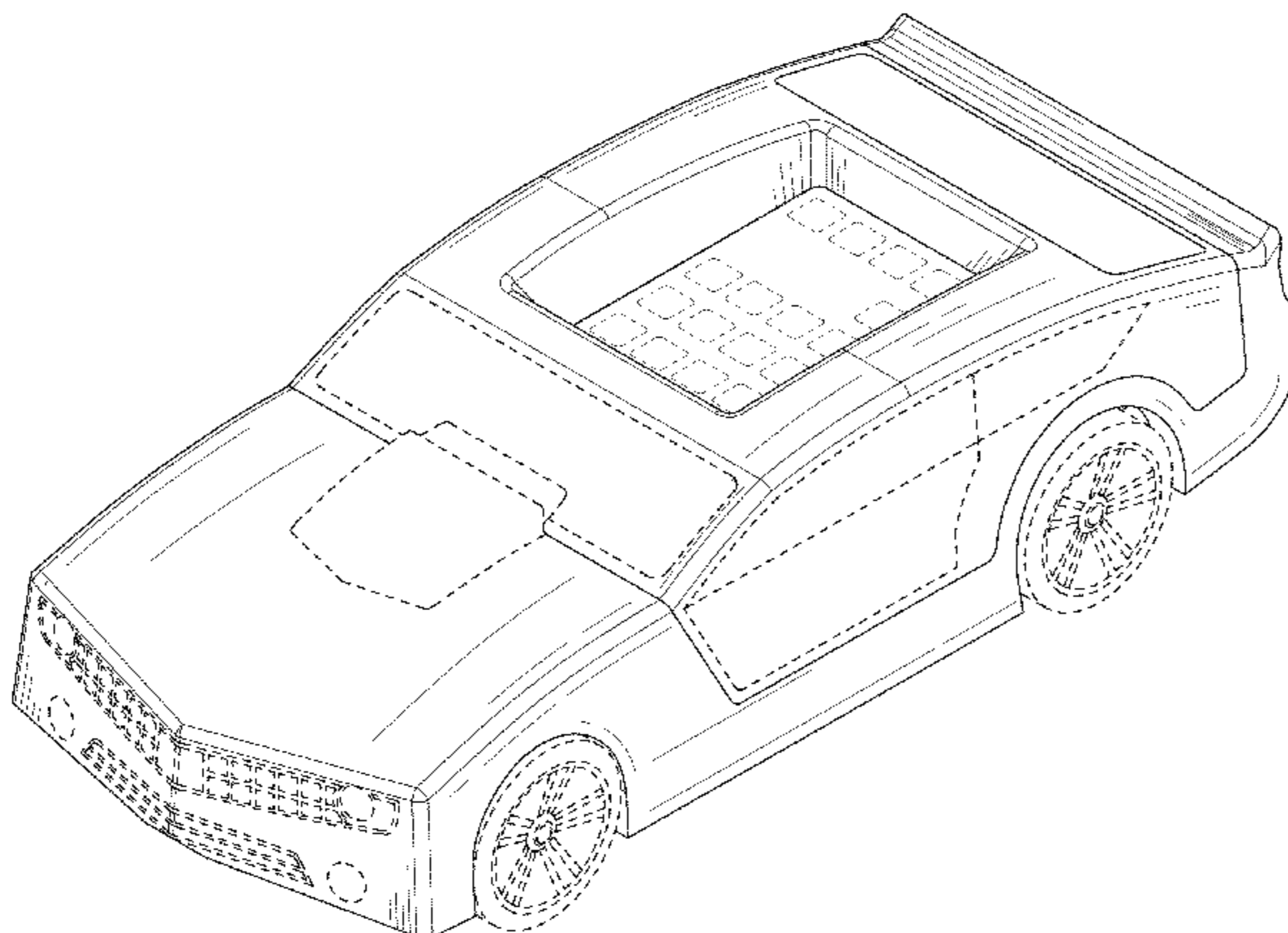
FIG. 12 is a side elevation view of the second embodiment of the novelty vehicle mobile device housing on an opposing side of FIG. 11.

FIG. 13 is a top view of the second embodiment of the novelty vehicle mobile device housing; and,

FIG. 14 is a bottom view of the novelty vehicle mobile device housing.

The claimed ornamental design is shown in solid lines. Any dash-dash-dash broken lines in the drawings are for illustrative purposes only and form no part of the claimed design. Any dash-dot-dash broken lines indicate claim boundaries, wherein the claimed design extends to the boundary but does not include the boundary.

1 Claim, 10 Drawing Sheets



(56)

References Cited

U.S. PATENT DOCUMENTS

D387,748 S * 12/1997 Martella D14/403
D393,304 S * 4/1998 Yeh D21/548
D402,997 S * 12/1998 Campbell et al. D15/7
D429,870 S * 8/2000 Venditto, Jr. D2/869
D437,309 S * 2/2001 Brennan D14/218
D525,960 S * 8/2006 McNear D14/143
D526,638 S * 8/2006 Farkas D14/143
D603,755 S * 11/2009 Peters D12/92

OTHER PUBLICATIONS

ToyWonders1. 96090 Jada Toys Heat—2010 Chevy Camaro SS
Police Car. YouTube. Nov. 7, 2010 [online], [retrieved on Oct. 1,
2012]. Retrieved from the Internet <URL: [http://www.youtube.com/
watch?v=jMjcfvJkB98I](http://www.youtube.com/watch?v=jMjcfvJkB98I)>.*

* cited by examiner

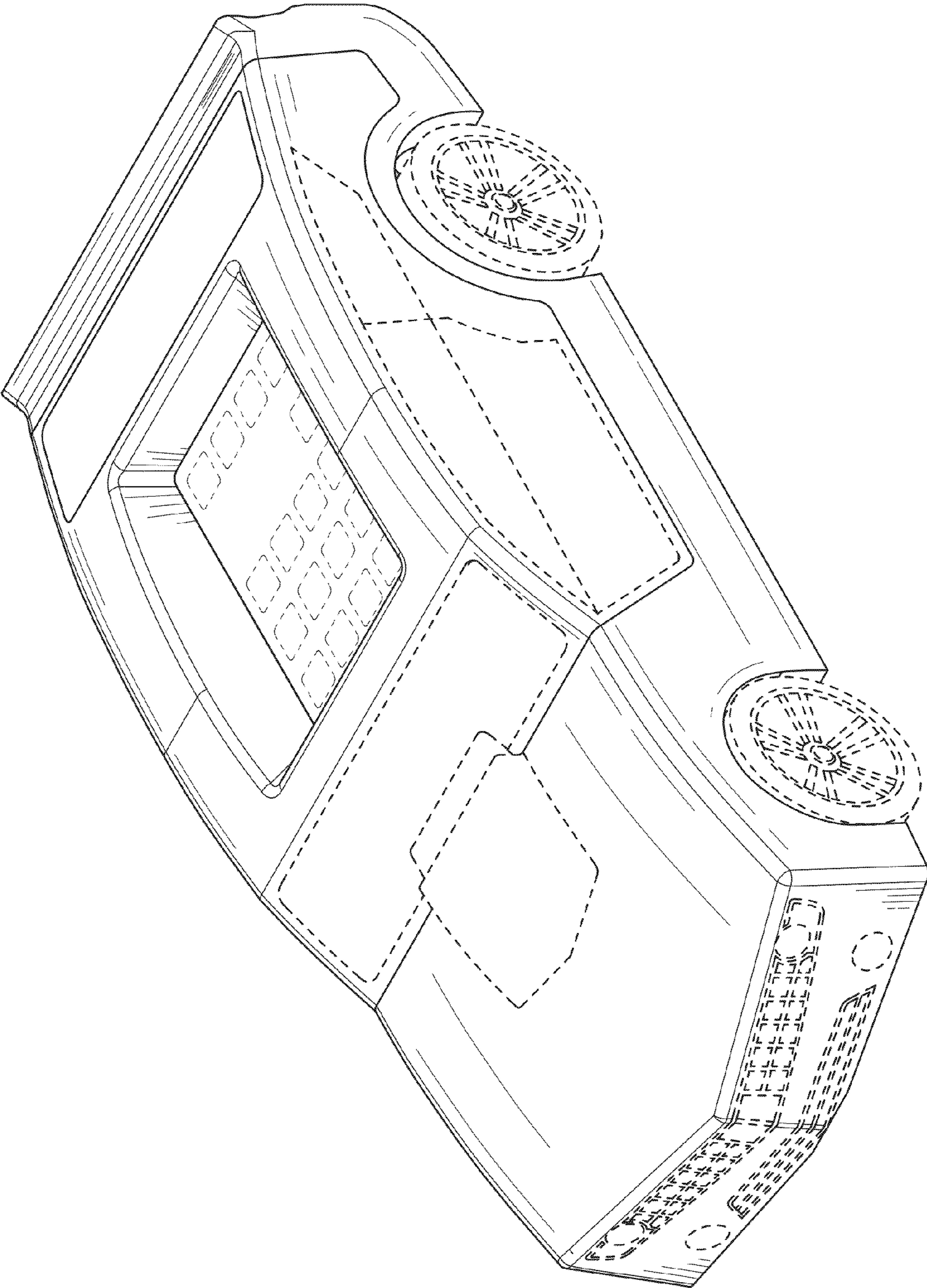


FIG.1

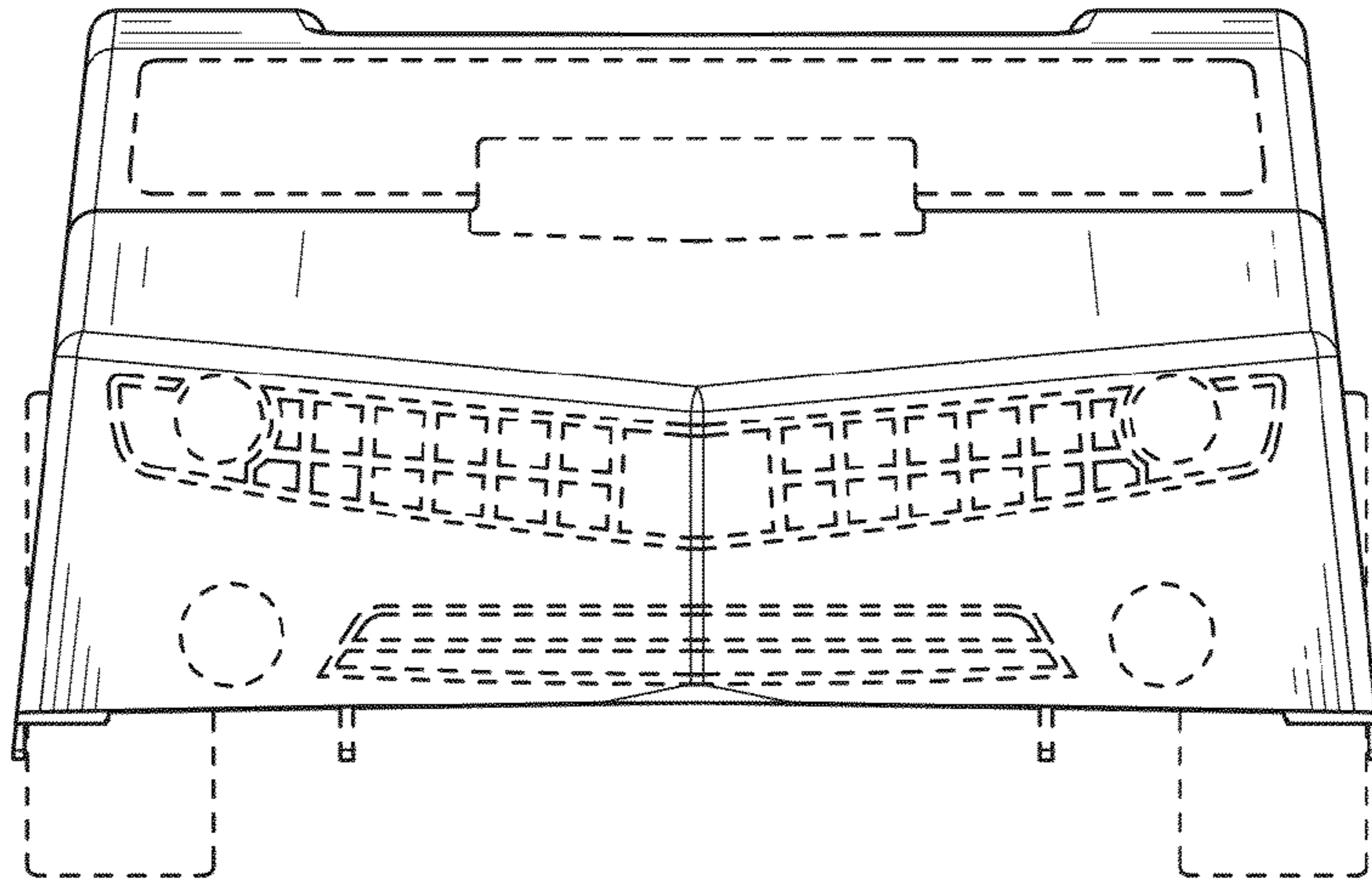


FIG.2

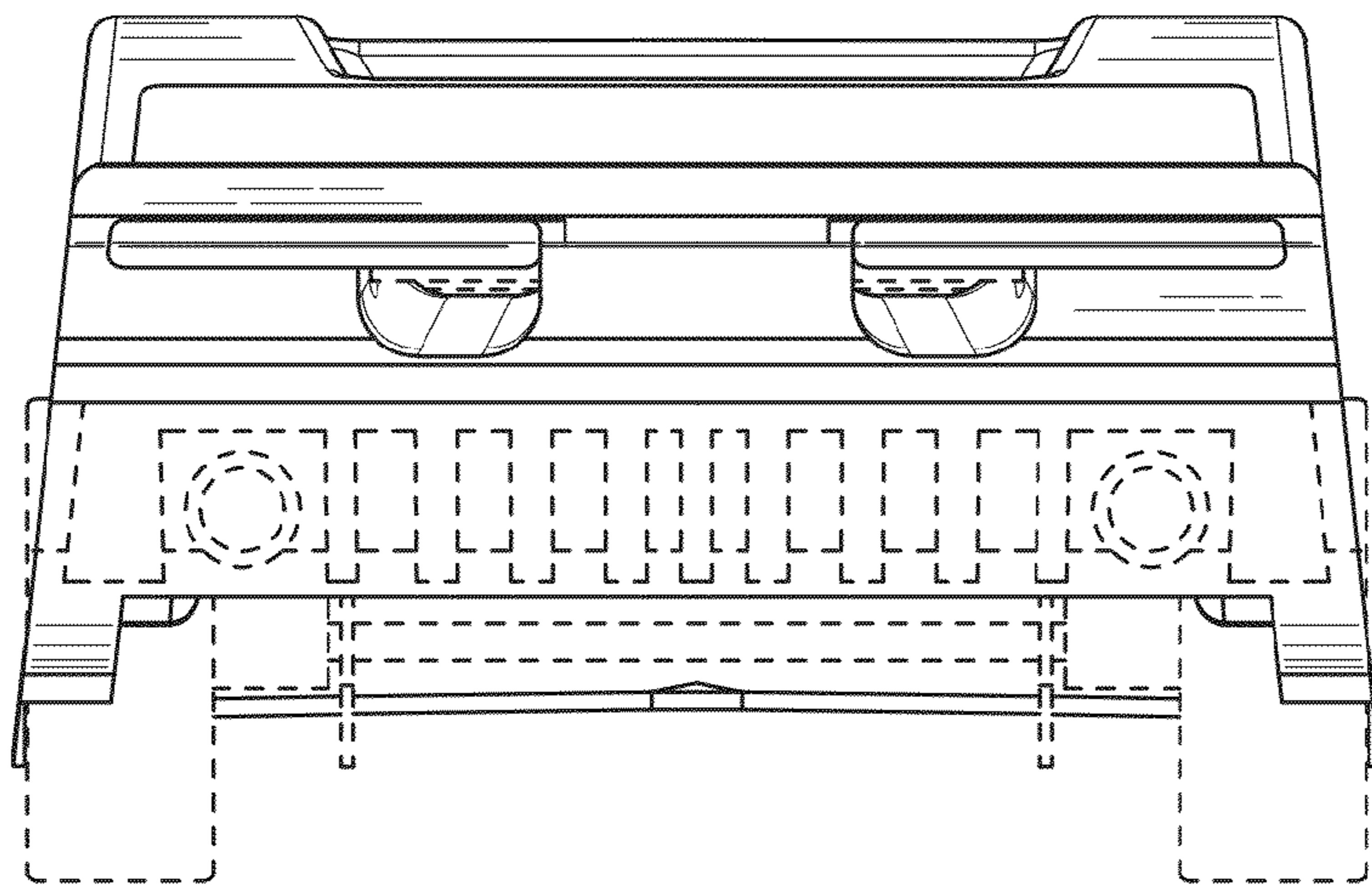


FIG.3

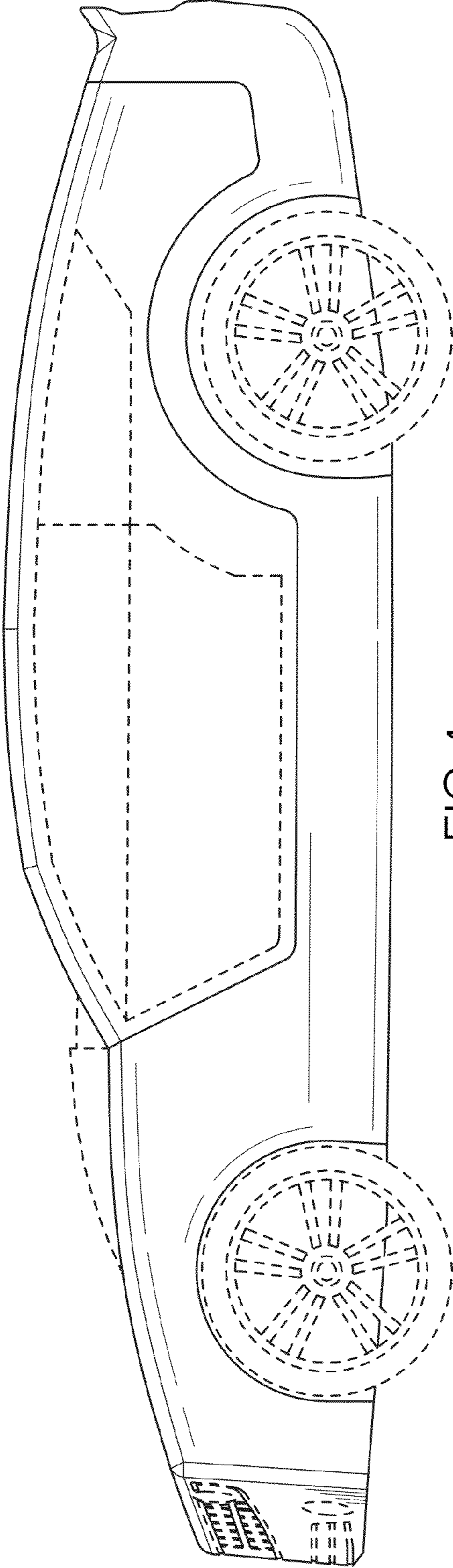


FIG.4

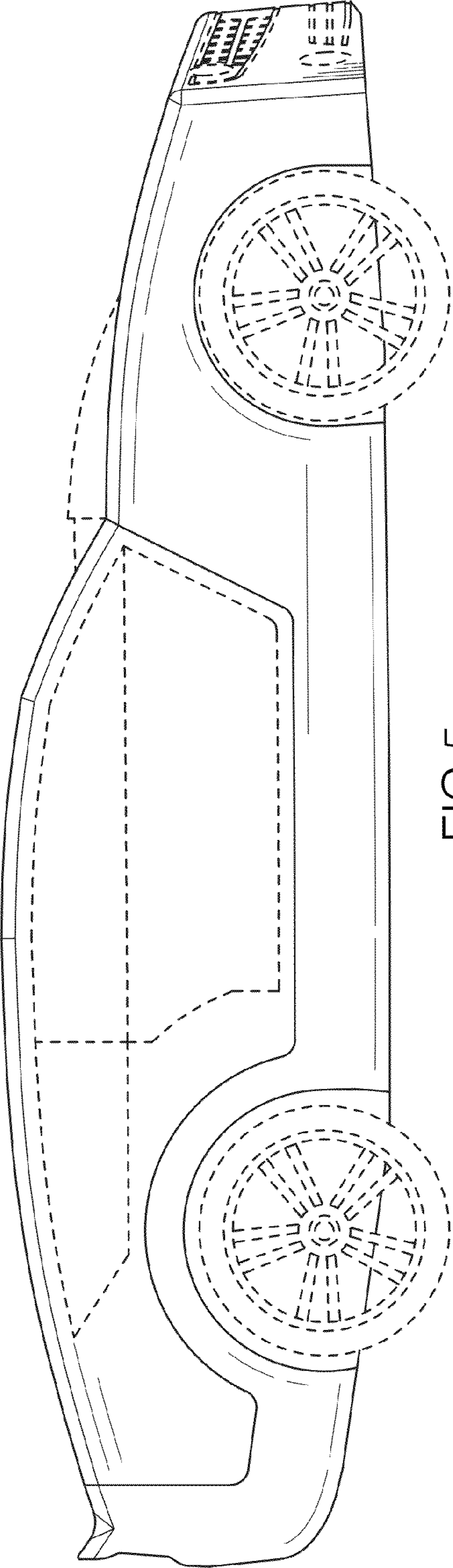


FIG.5

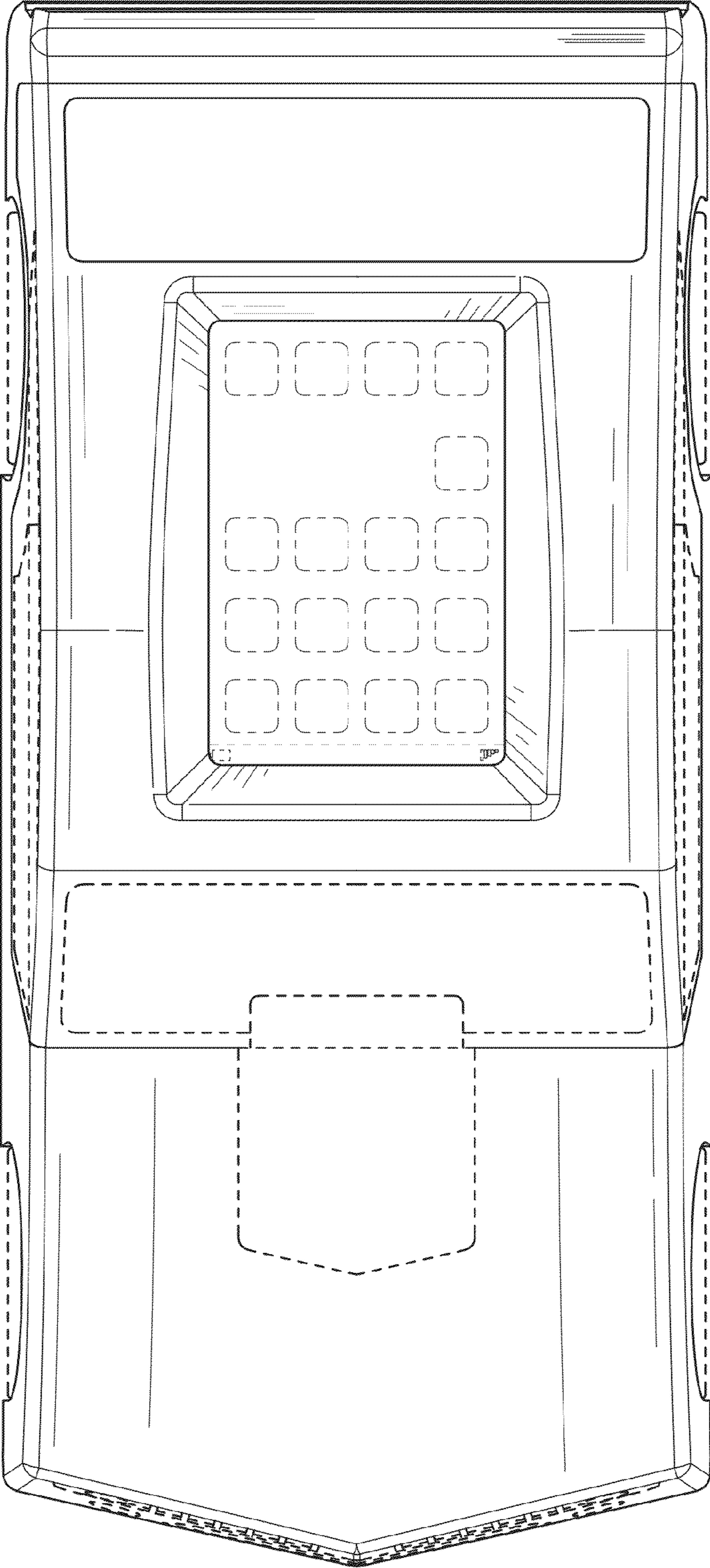


FIG.6

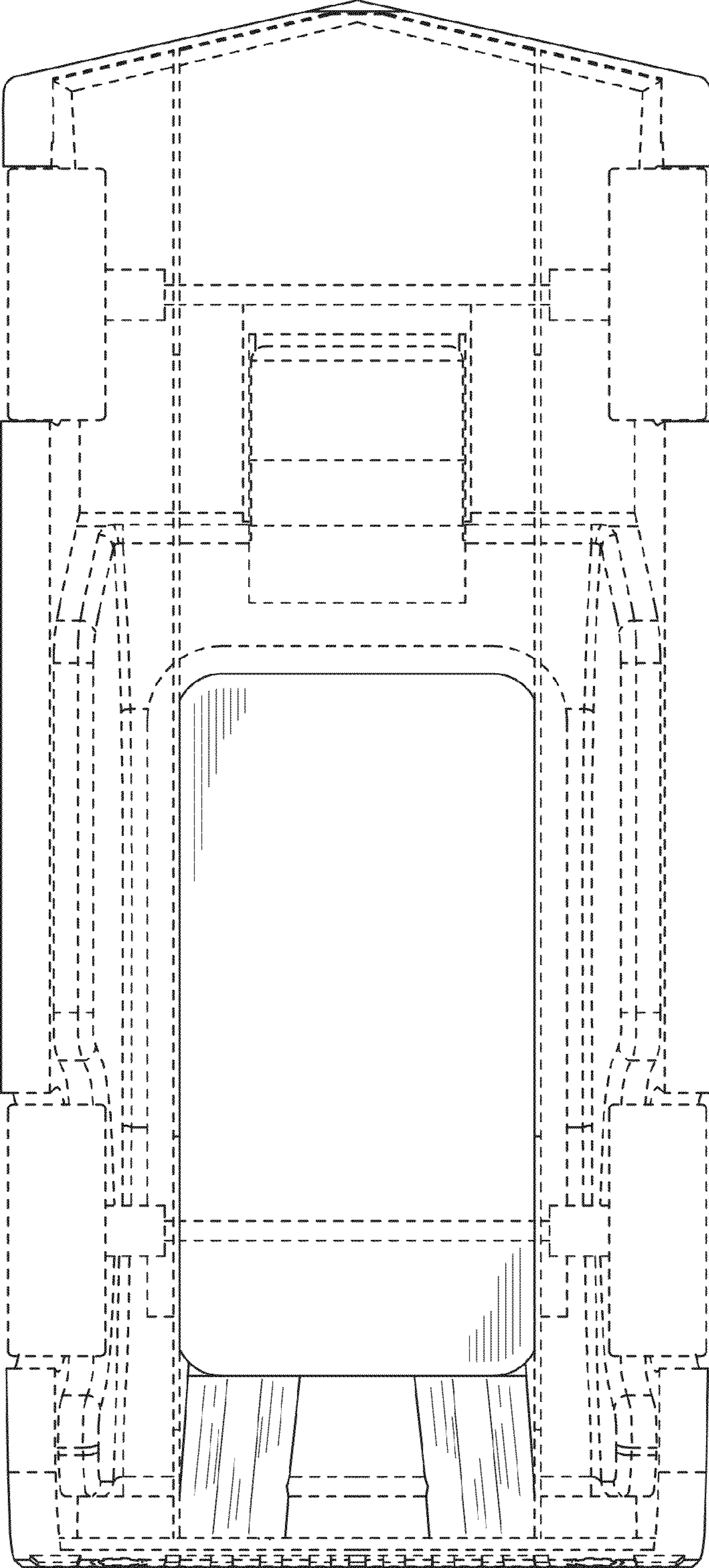


FIG.7

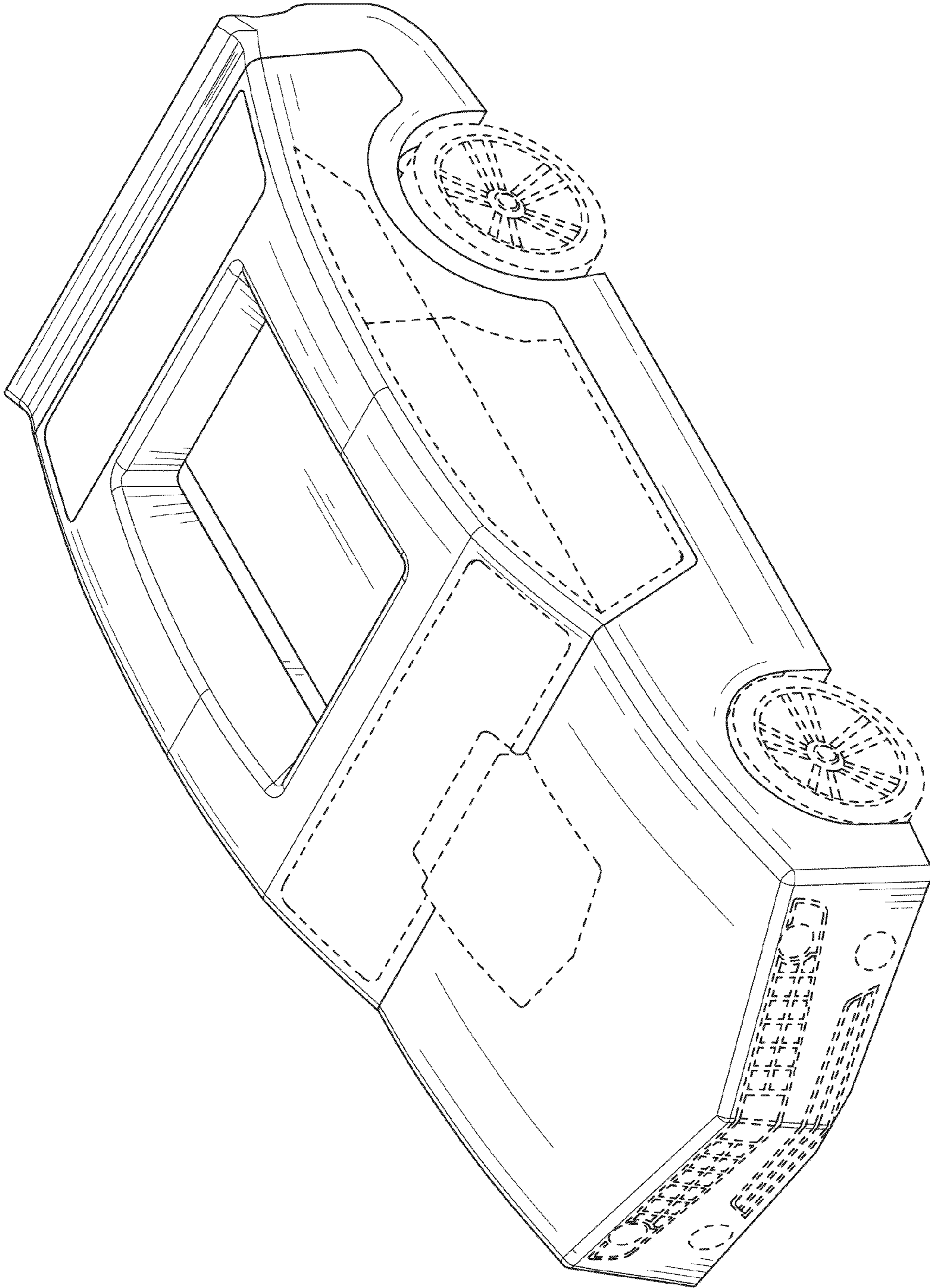


FIG.8

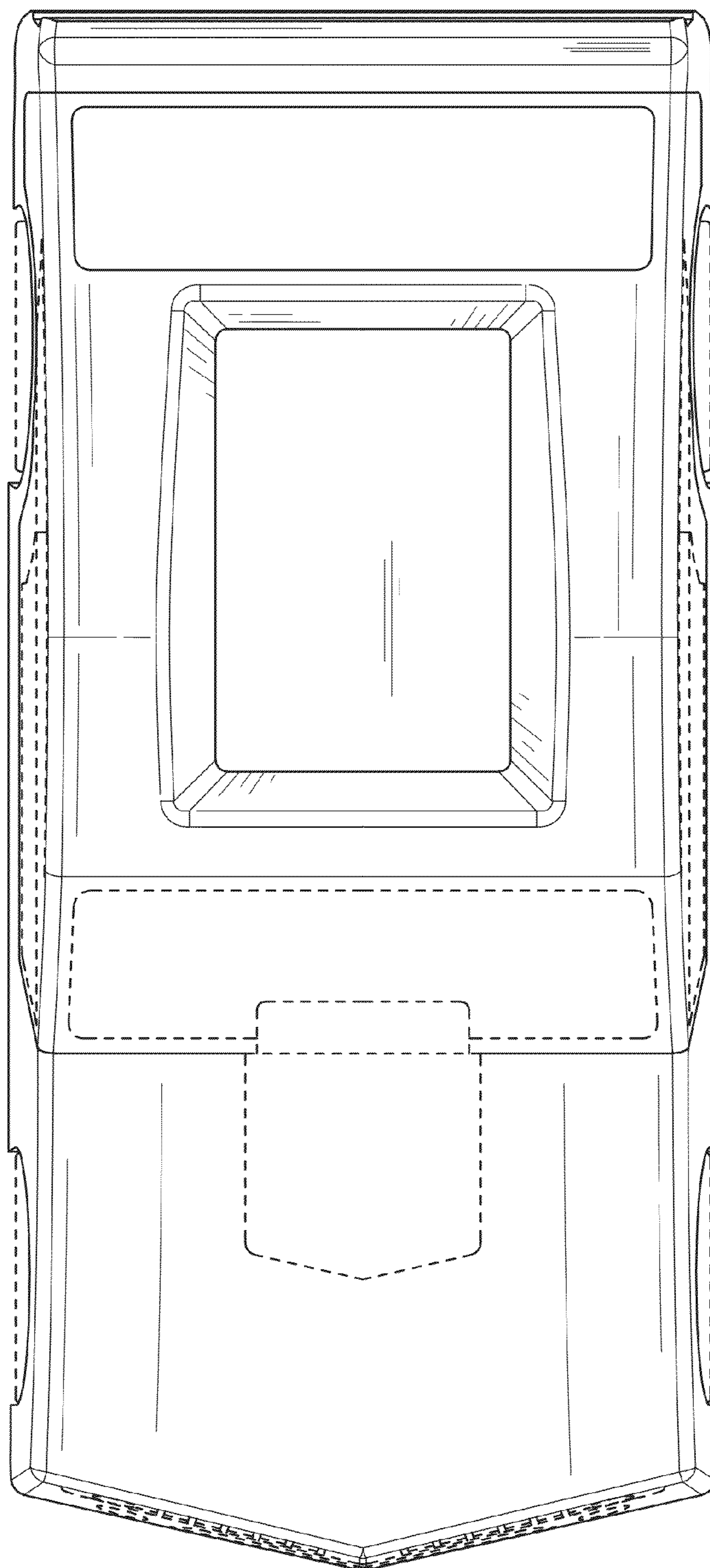


FIG.9

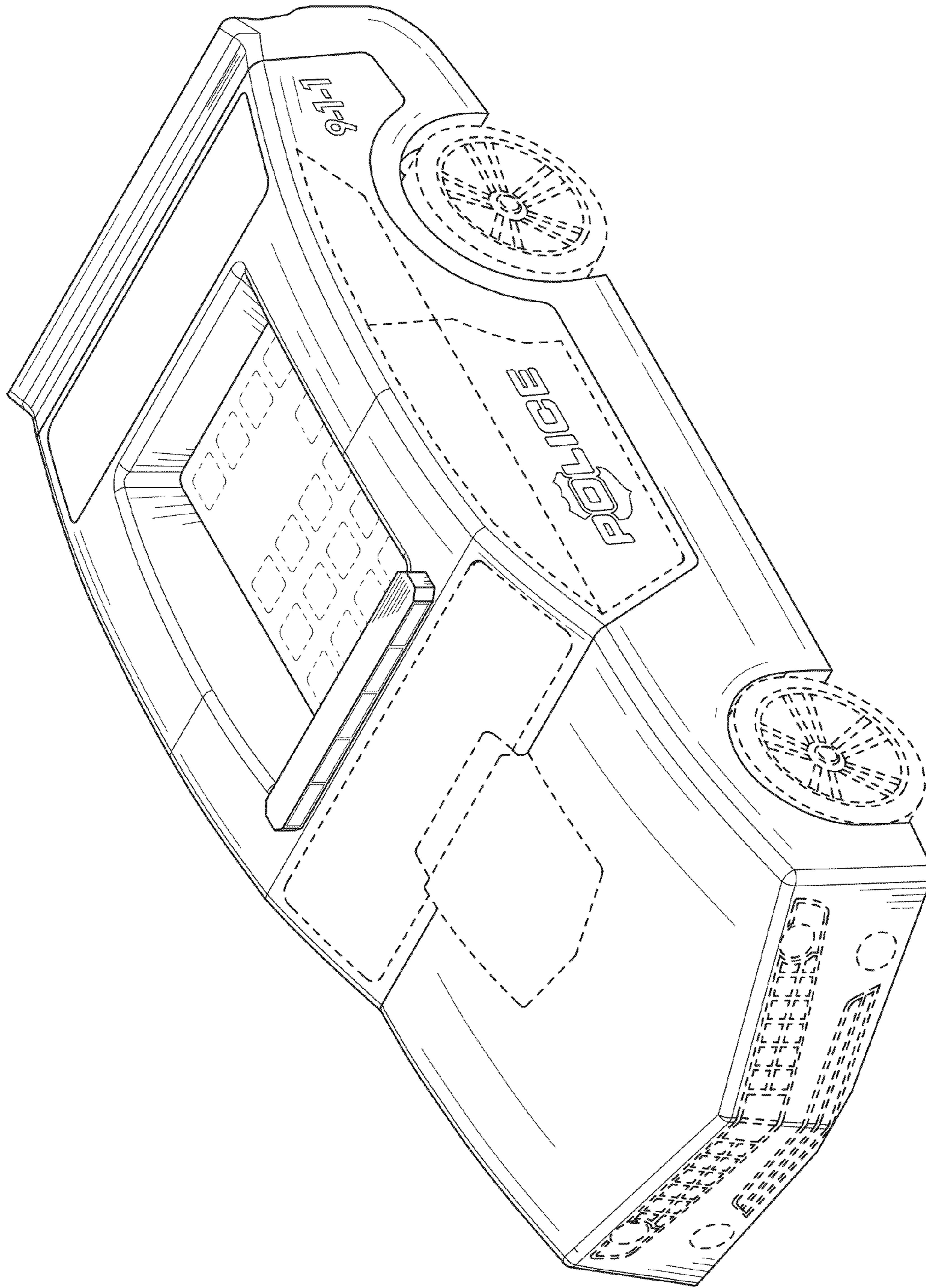


FIG.10

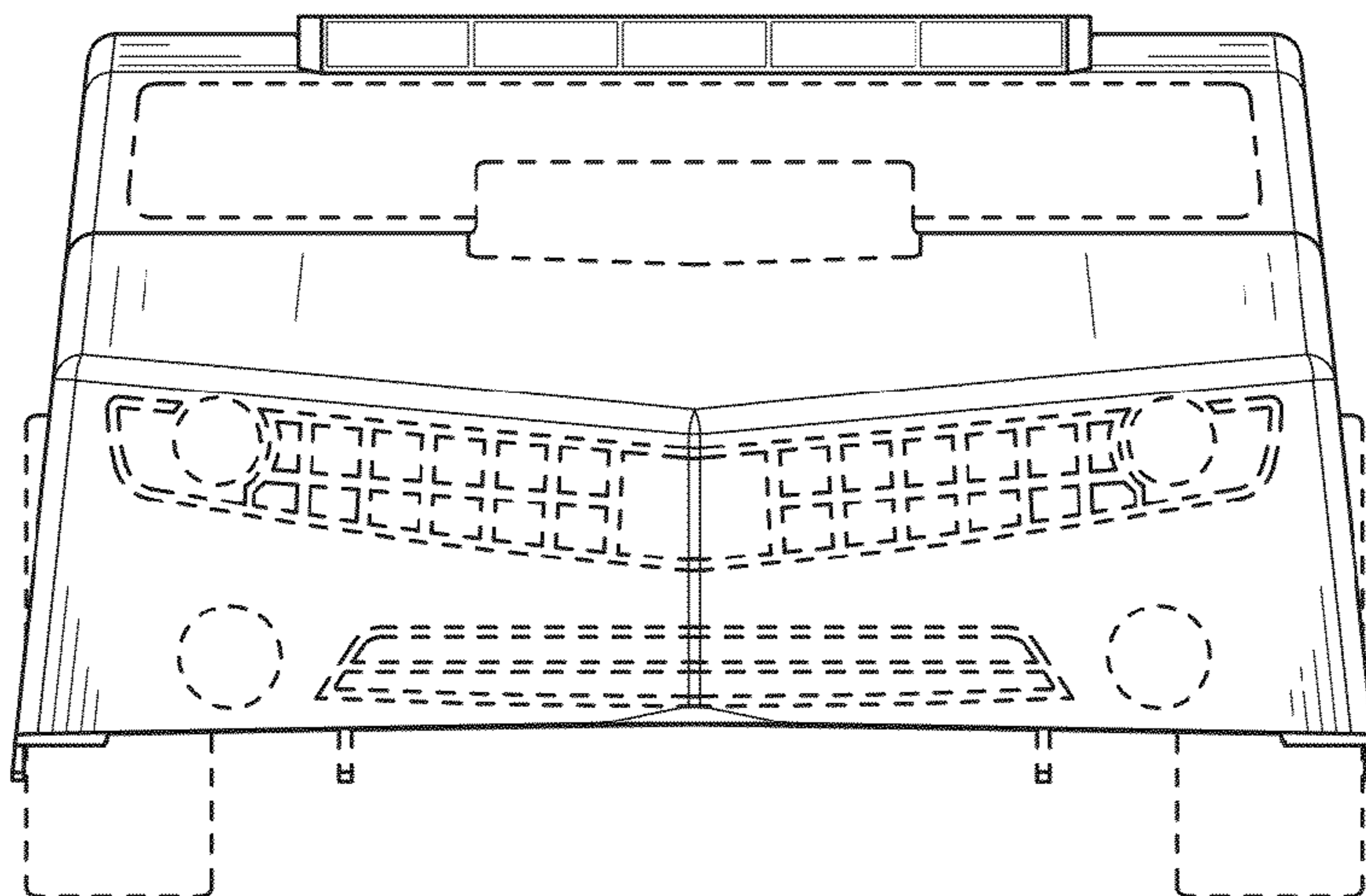


FIG. 11

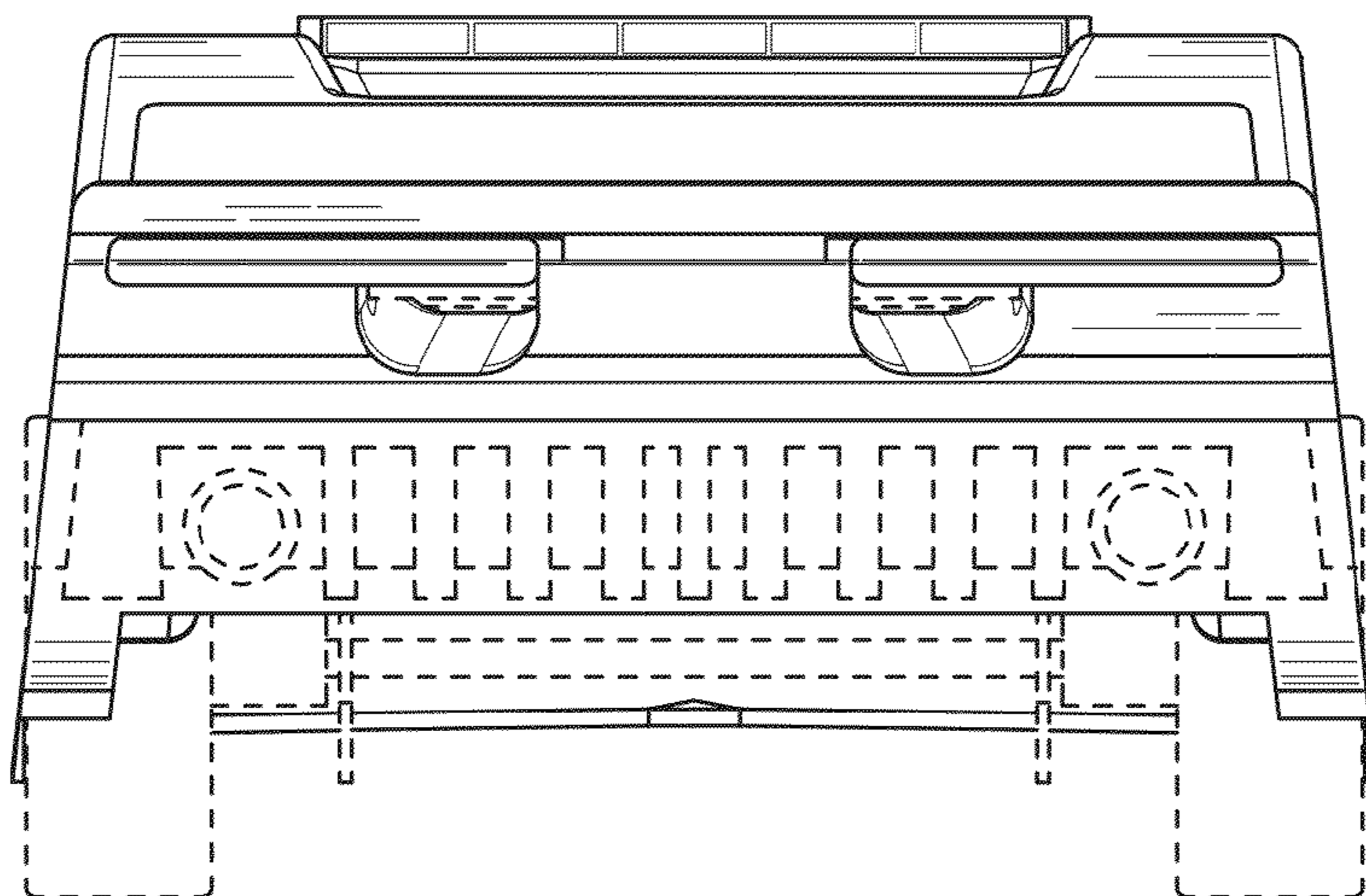


FIG. 12

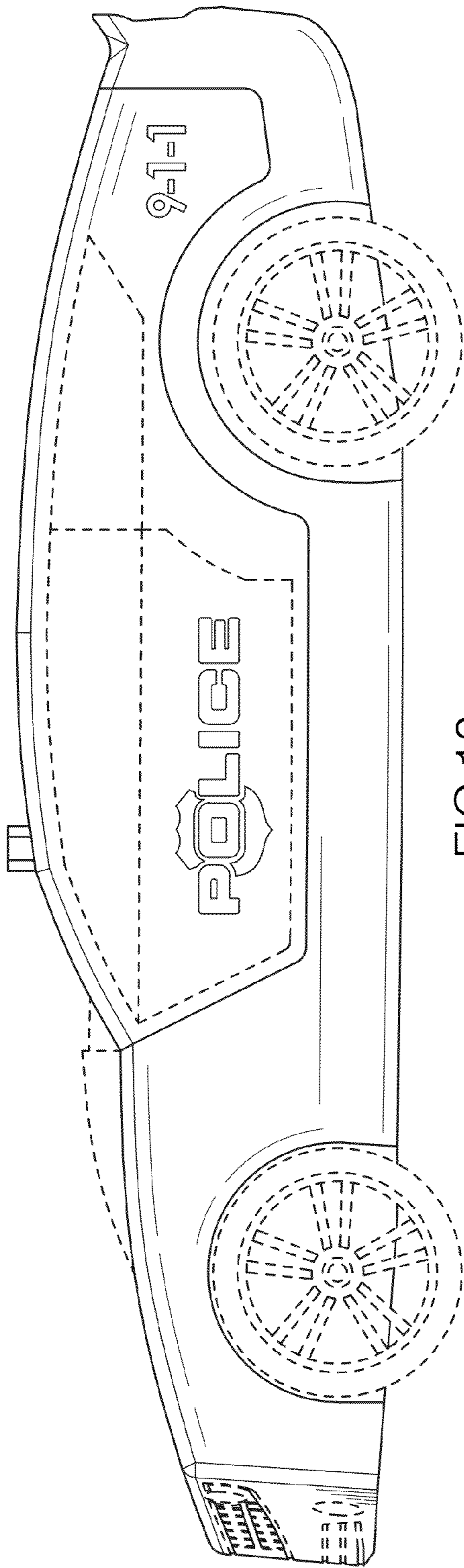


FIG. 13

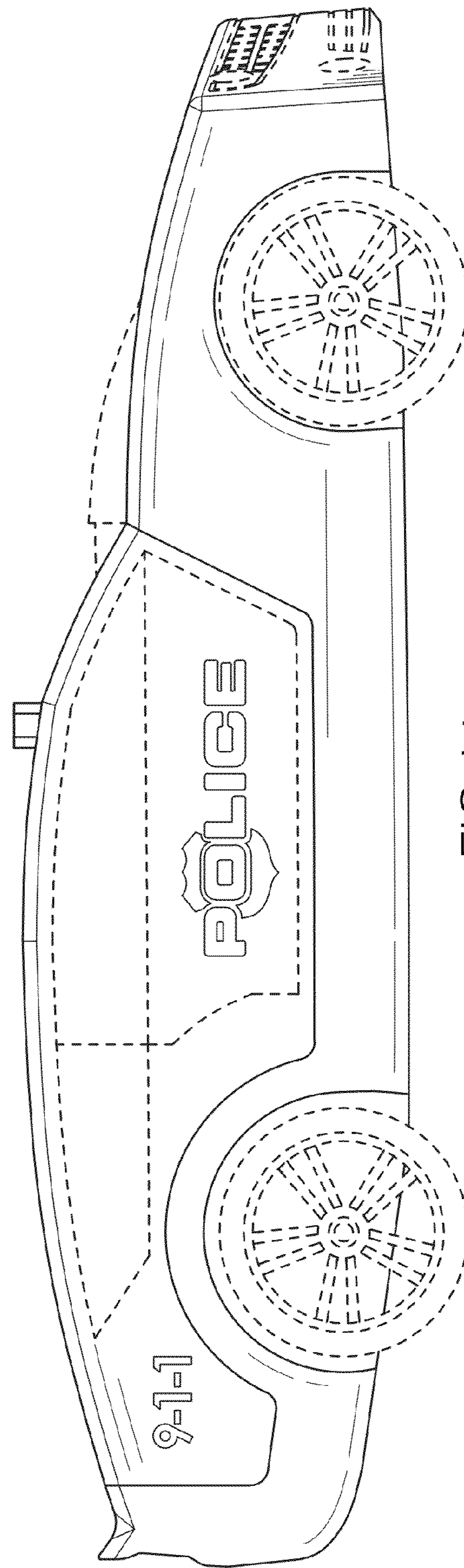


FIG. 14