



US00D699299S

(12) **United States Design Patent**
Brucker

(10) **Patent No.:** **US D699,299 S**

(45) **Date of Patent:** **** Feb. 11, 2014**

(54) **EDUCATIONAL DEVICE**

(75) **Inventor:** **Dov Brucker**, Ra'anana (IL)

(73) **Assignee:** **Globisens Ltd.**, Ra'anana (IL)

(**) **Term:** **14 Years**

(21) **Appl. No.:** **29/409,411**

(22) **Filed:** **Dec. 22, 2011**

(51) **LOC (10) Cl.** **19-07**

(52) **U.S. Cl.**
USPC **D19/60**

(58) **Field of Classification Search**
USPC D19/59-64; D14/218, 138 R, 339, 346;
434/276-303, 308, 317, 319, 169;
D21/329, 475

See application file for complete search history.

(56) **References Cited**

U.S. PATENT DOCUMENTS

4,997,374	A	*	3/1991	Simone	434/317
D354,742	S	*	1/1995	Hamilton	D14/339
D363,511	S	*	10/1995	Hui	D21/329
D392,321	S	*	3/1998	Chan	D19/60
5,813,861	A	*	9/1998	Wood	434/169
D413,941	S	*	9/1999	Ko	D21/475
D453,195	S	*	1/2002	Chan	D21/329
D453,793	S	*	2/2002	Hou	D14/346

D531,668	S	*	11/2006	Goodstriker et al.	D19/60
D531,669	S	*	11/2006	Gordon et al.	D19/60
D537,119	S	*	2/2007	Traub	D19/59
D557,338	S	*	12/2007	Delman et al.	D19/60
D583,416	S	*	12/2008	Cisneros	D19/59
D587,246	S	*	2/2009	Neu et al.	D14/218
D646,329	S	*	10/2011	Lawrence et al.	D19/60

* cited by examiner

Primary Examiner — T. Chase Nelson

Assistant Examiner — Mark Cavanna

(74) *Attorney, Agent, or Firm* — Sughrue Mion, PLLC

(57) **CLAIM**

The ornamental design for an educational device, as shown and described.

DESCRIPTION

FIG. 1 is a top perspective view of an educational device showing my new design;
FIG. 2 is a top view thereof;
FIG. 3 is a bottom view thereof;
FIG. 4 is a front view thereof;
FIG. 5 is a rear view thereof;
FIG. 6 is a left side view thereof; and,
FIG. 7 is a right side view thereof.
The broken lines are included for the purpose of illustrating portions of the educational device that forms no part of the claimed design.

1 Claim, 4 Drawing Sheets

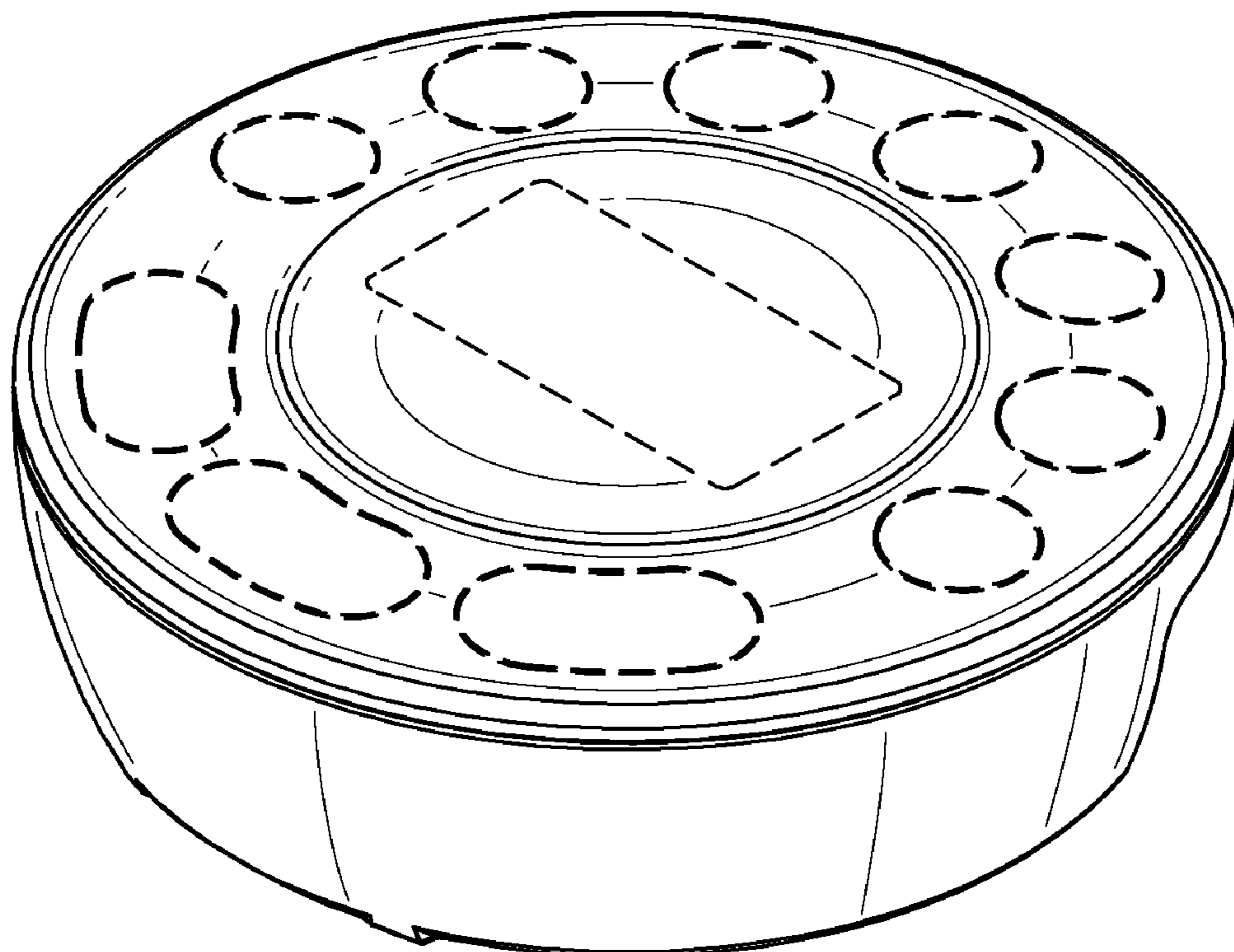


FIG. 1

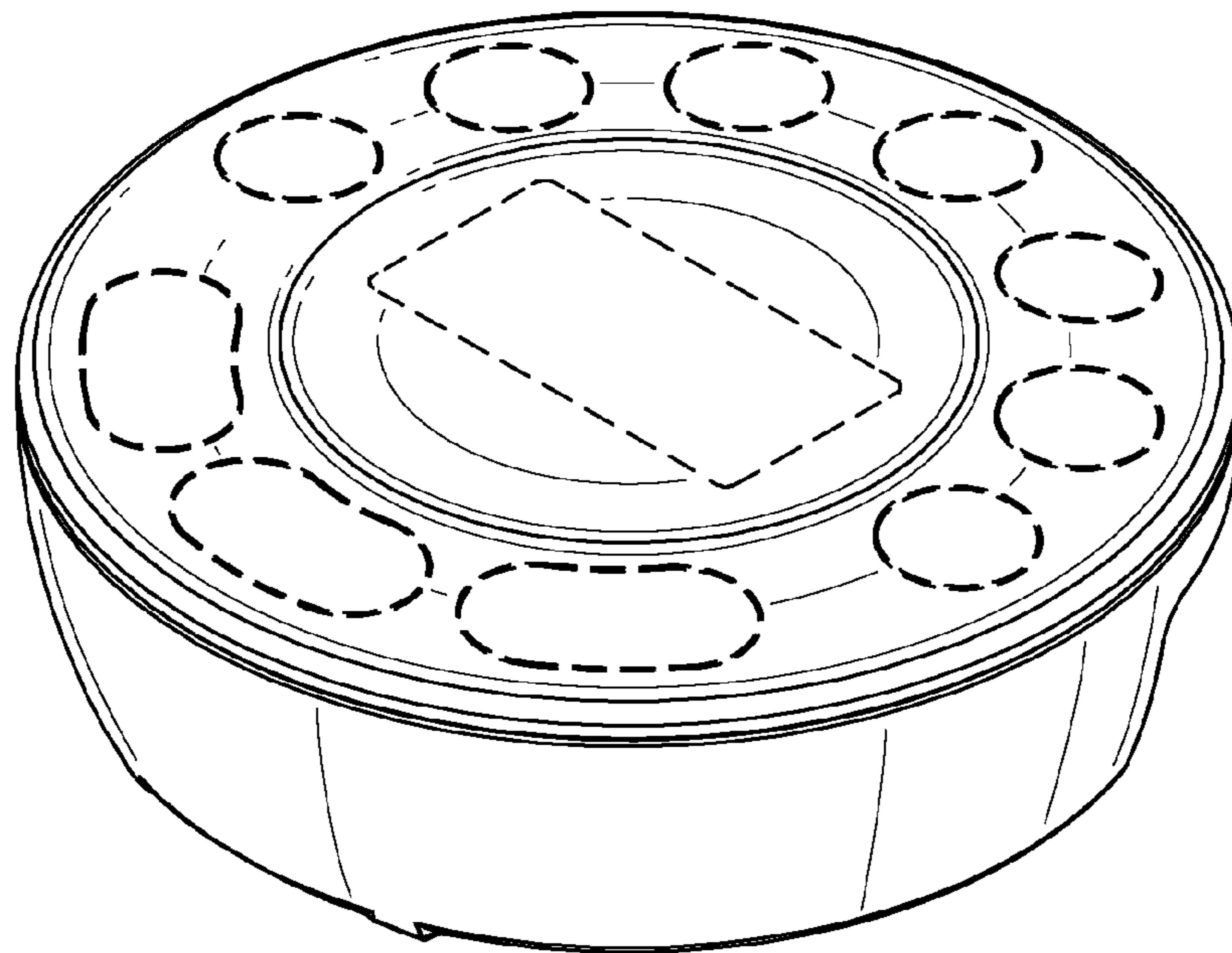


FIG. 2

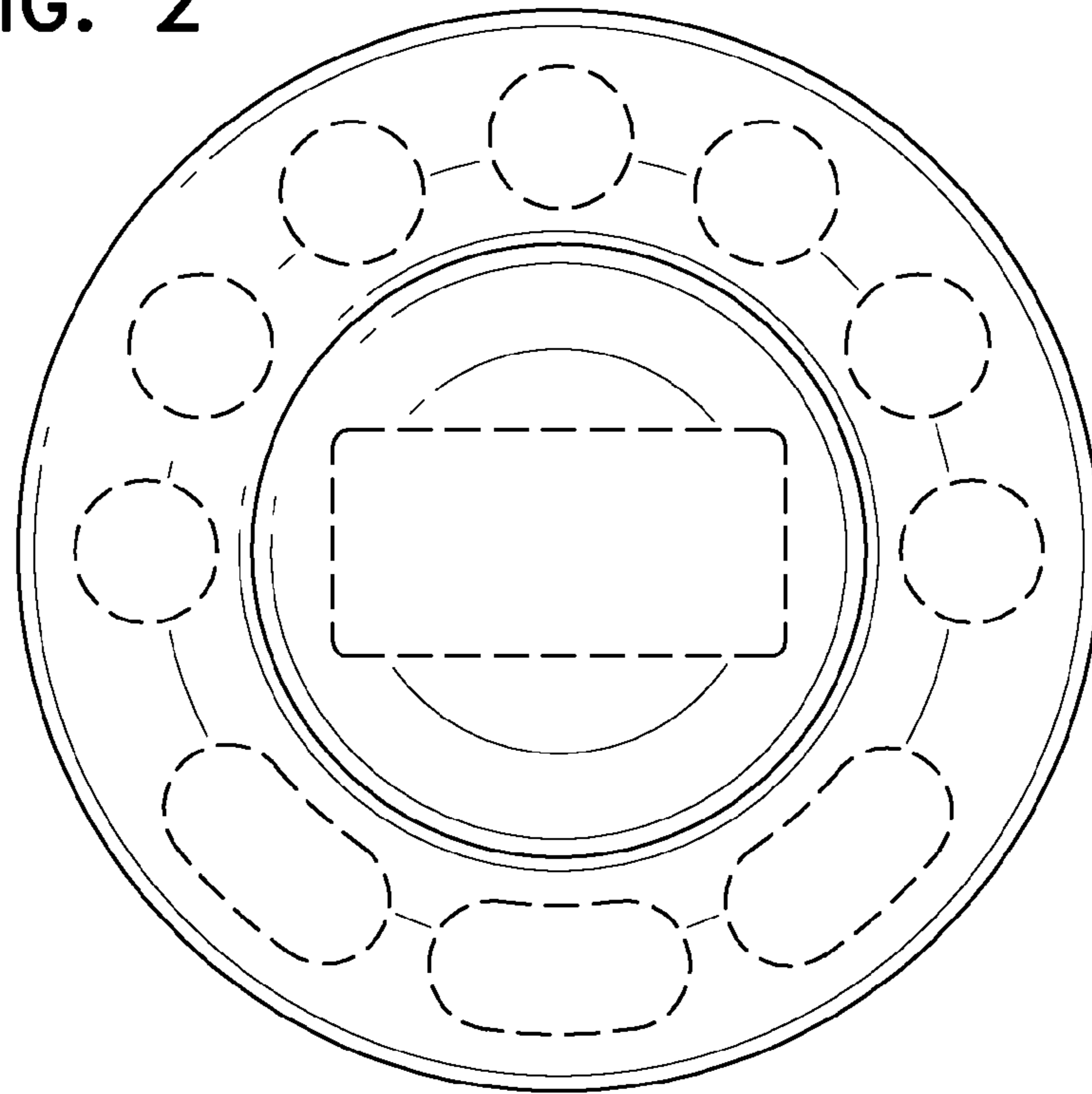


FIG. 3

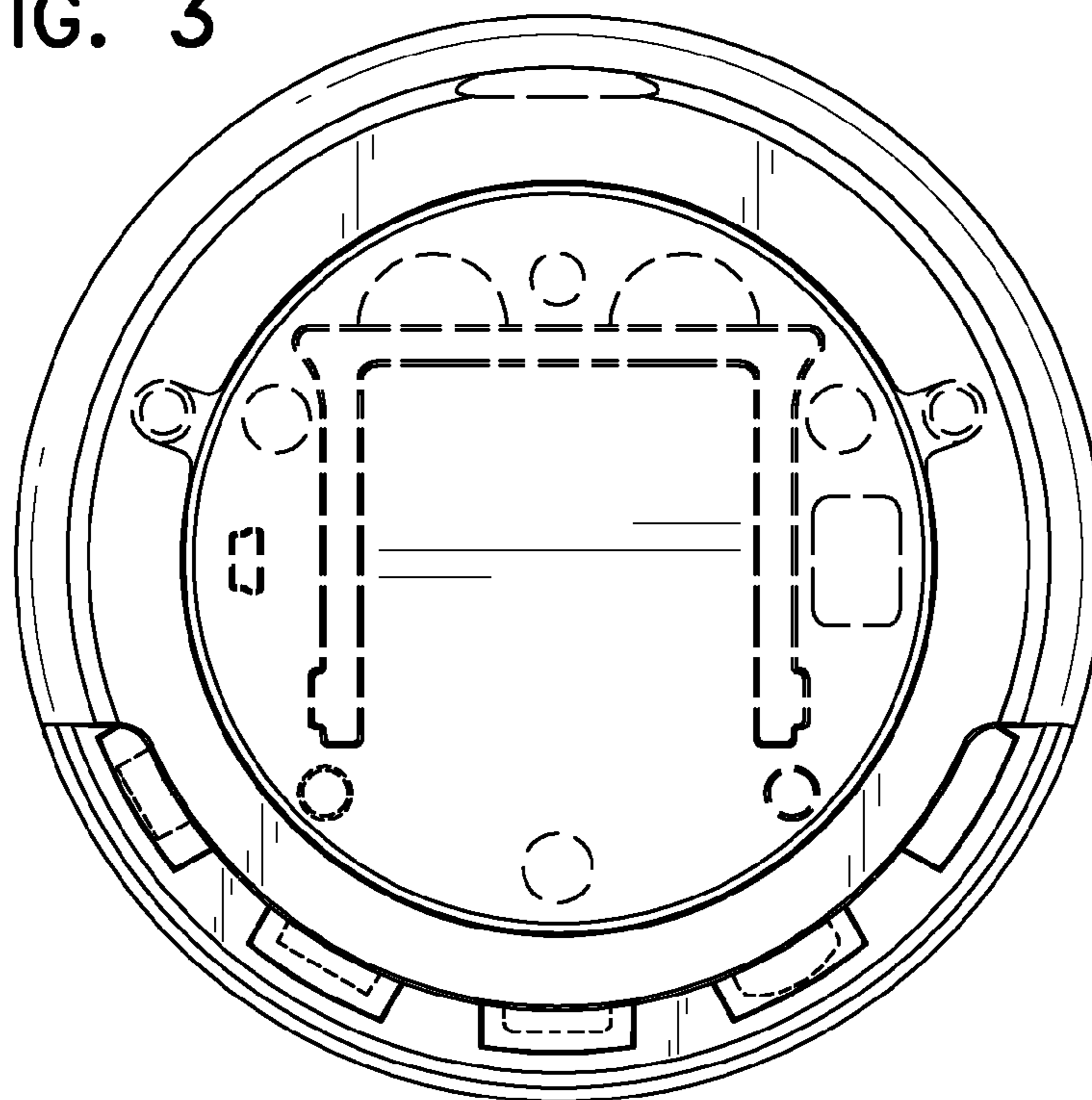


FIG. 4

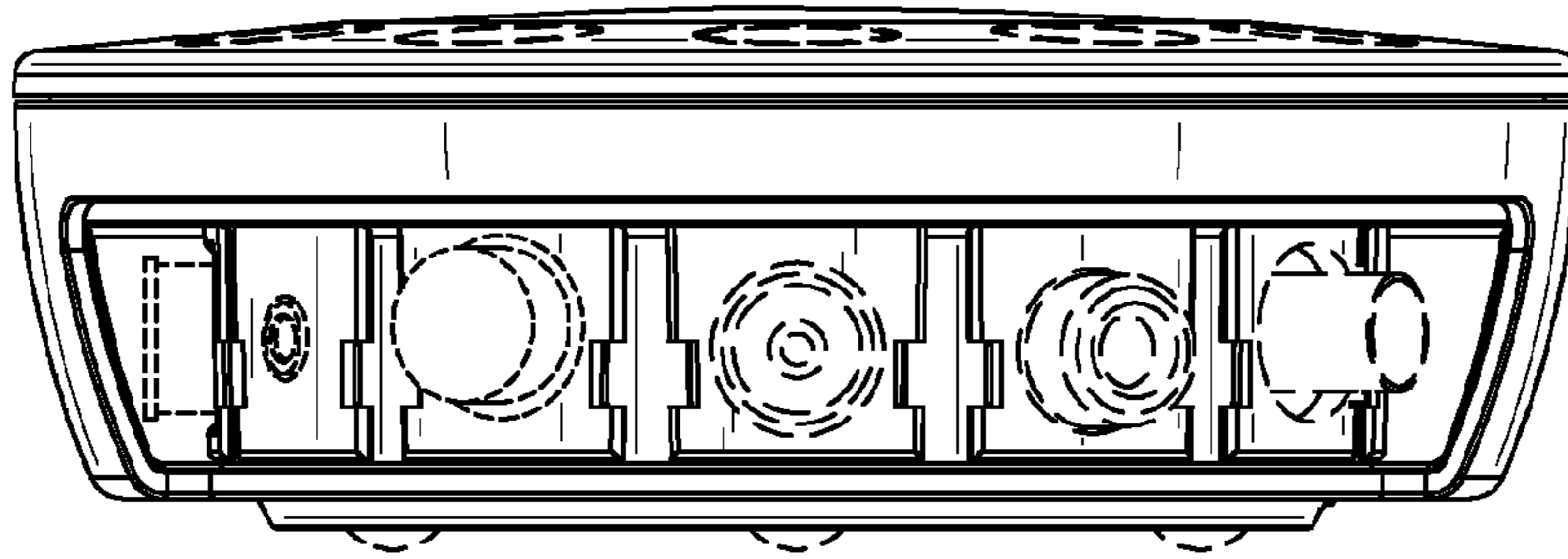


FIG. 5

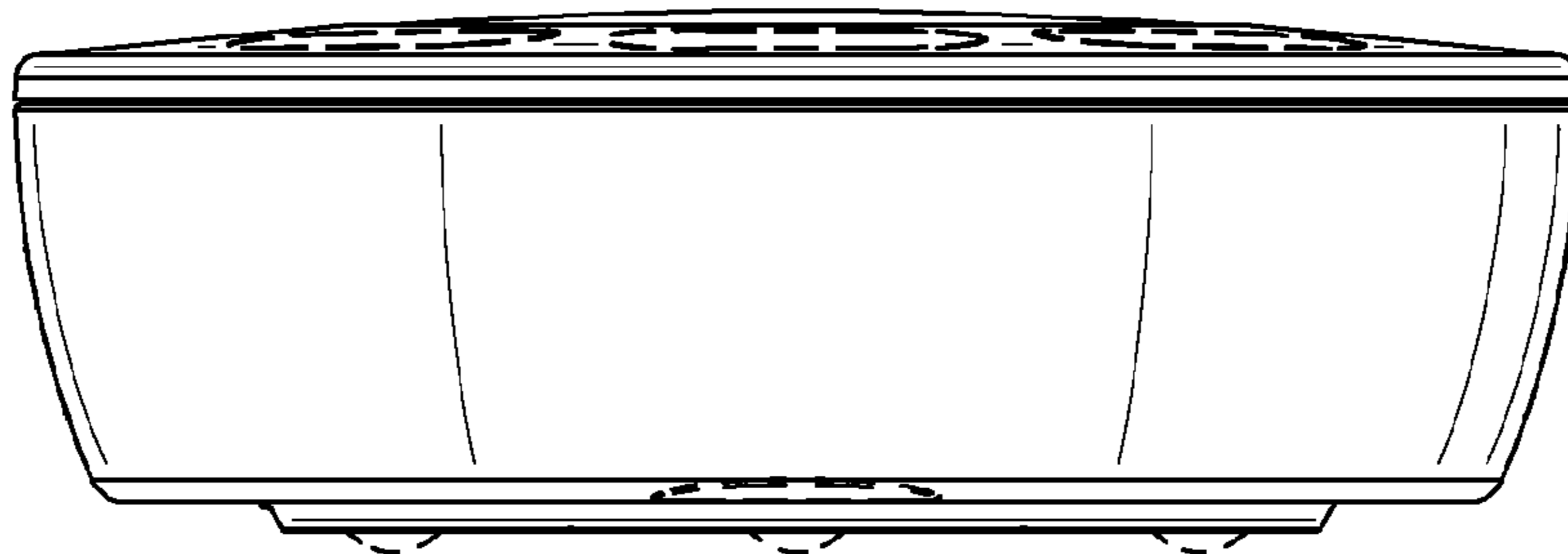


FIG. 6

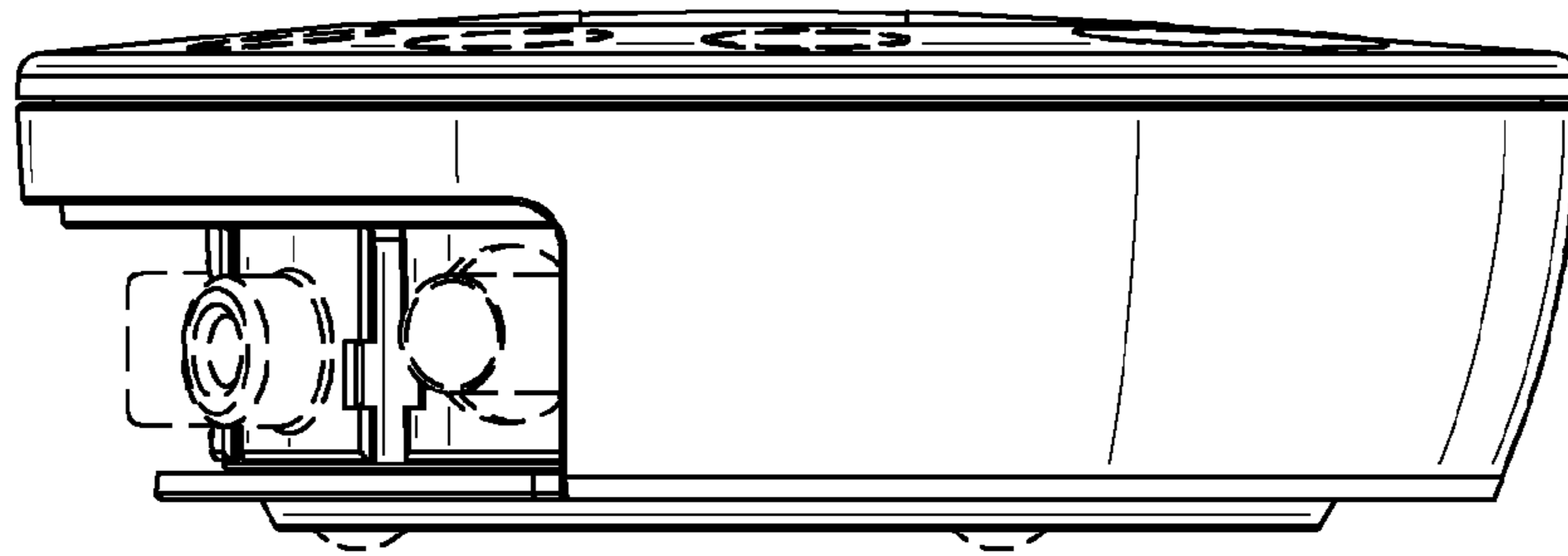


FIG. 7

