



US00D699297S

(12) **United States Design Patent**
Bahsoun et al.

(10) **Patent No.:** **US D699,297 S**
(45) **Date of Patent:** **** Feb. 11, 2014**

(54) **LAPAROSCOPIC TRAINER**

(76) Inventors: **Ali Nehme Bahsoun**, London (GB);
Robert J. Aumann, Mason, OH (US)

(**) Term: **14 Years**

(21) Appl. No.: **29/395,785**

(22) Filed: **Mar. 30, 2012**

(51) **LOC (10) CI.** **19-07**

(52) **U.S. Cl.**
USPC **D19/59; D14/447**

(58) **Field of Classification Search**
USPC D19/59-64, 35-36, 52, 90-91, 88;
D6/300, 308, 310-311, 700; D14/447,
D14/371; D21/469; 434/428-432
See application file for complete search history.

(56) **References Cited**

U.S. PATENT DOCUMENTS

D328,314 S *	7/1992	MacEwan	D19/91
D379,371 S *	5/1997	Nicholl et al.	D19/35
D388,826 S *	1/1998	Jones-Fenleigh et al.	D19/59
D444,176 S *	6/2001	Leslie	D19/59
D502,964 S *	3/2005	Cziraky	D19/36
D539,350 S *	3/2007	Vazquez Gastellu	D19/64
D590,404 S *	4/2009	Kim et al.	D14/447
D626,342 S *	11/2010	Chadwick	D14/371

D639,816 S *	6/2011	Bau	D14/447
D648,728 S *	11/2011	Atkins et al.	D14/447
D651,213 S *	12/2011	Magness et al.	D14/447
D667,831 S *	9/2012	Stravitz	D14/447

* cited by examiner

Primary Examiner — T. Chase Nelson

Assistant Examiner — Marc Cavanna

(74) *Attorney, Agent, or Firm* — Neal O. Willmann

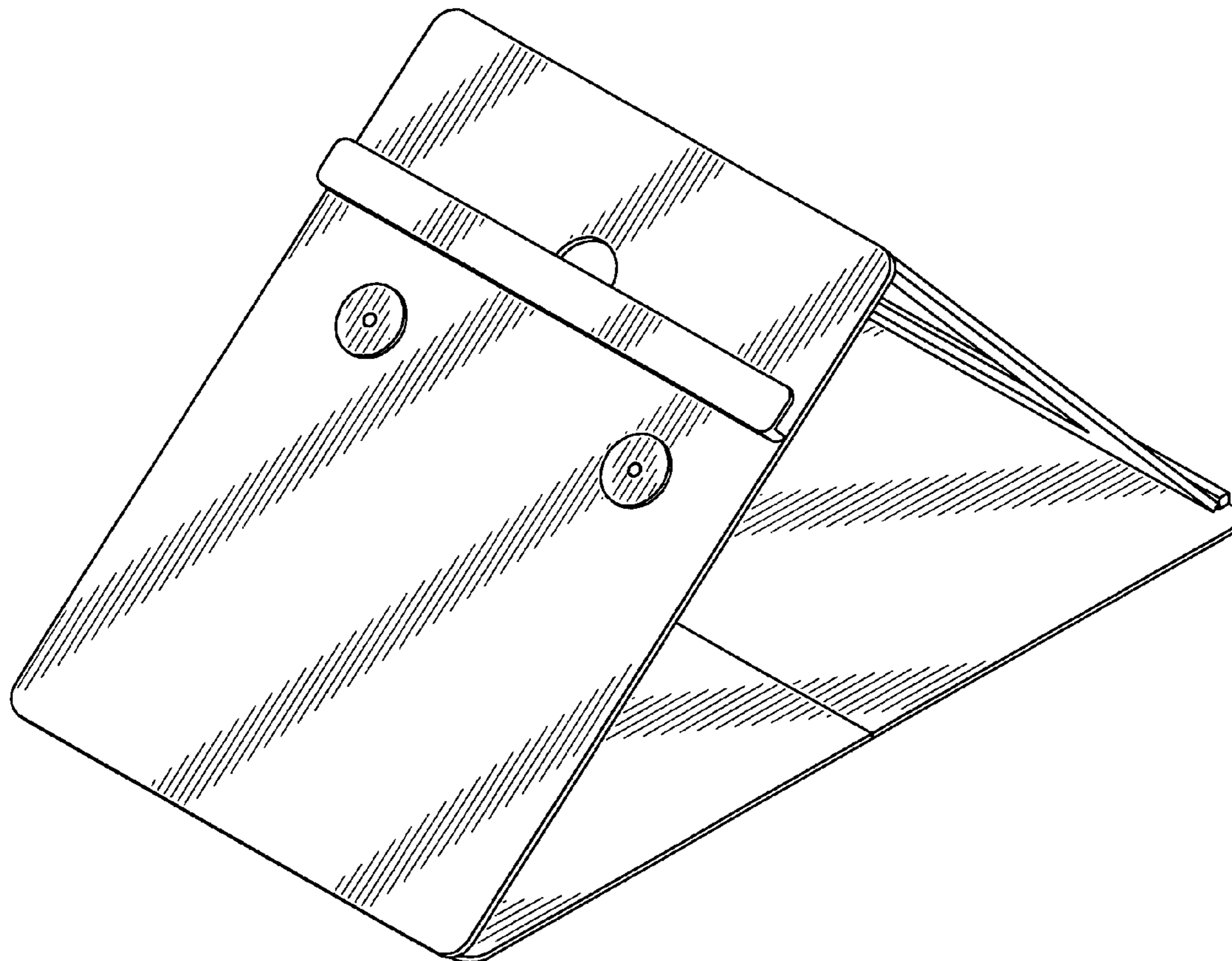
(57) **CLAIM**

The ornamental design for a laparoscopic trainer, as shown and described.

DESCRIPTION

FIG. 1 is an isometric view of a laparoscopic trainer showing our new design, with a tablet computer in broken line to show the environment in which the design is used;
FIG. 2 is an isometric view thereof;
FIG. 3 is a front elevation view thereof;
FIG. 4 is a rear elevation view thereof;
FIG. 5 is a top plan view thereof;
FIG. 6 is a bottom plan view thereof;
FIG. 7 is a left side elevation view thereof; and,
FIG. 8 is a right side elevation view thereof.
Broken lines are used to illustrate the environment of the claimed trainer and form no part thereof.

1 Claim, 8 Drawing Sheets



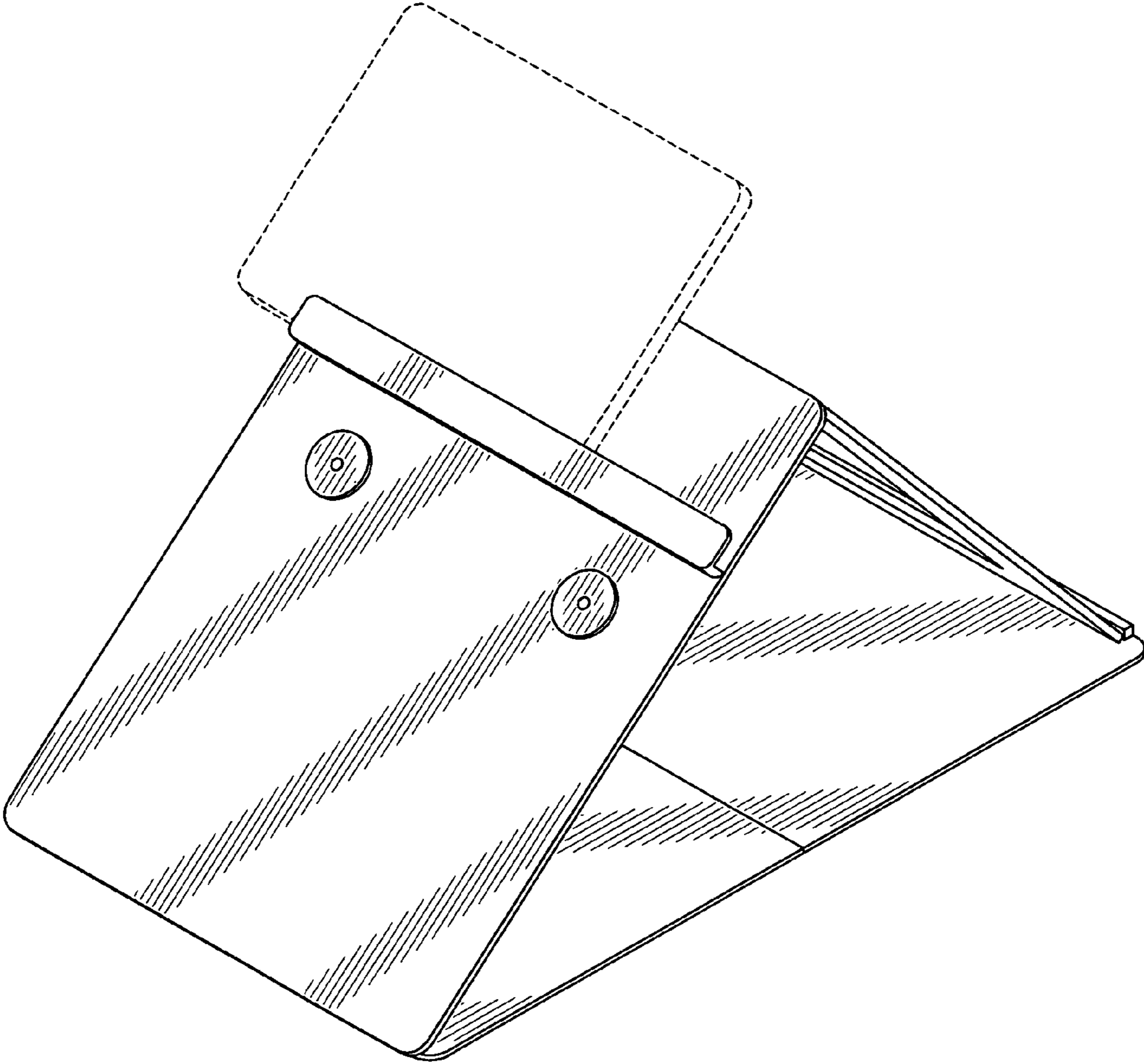


FIG. 1

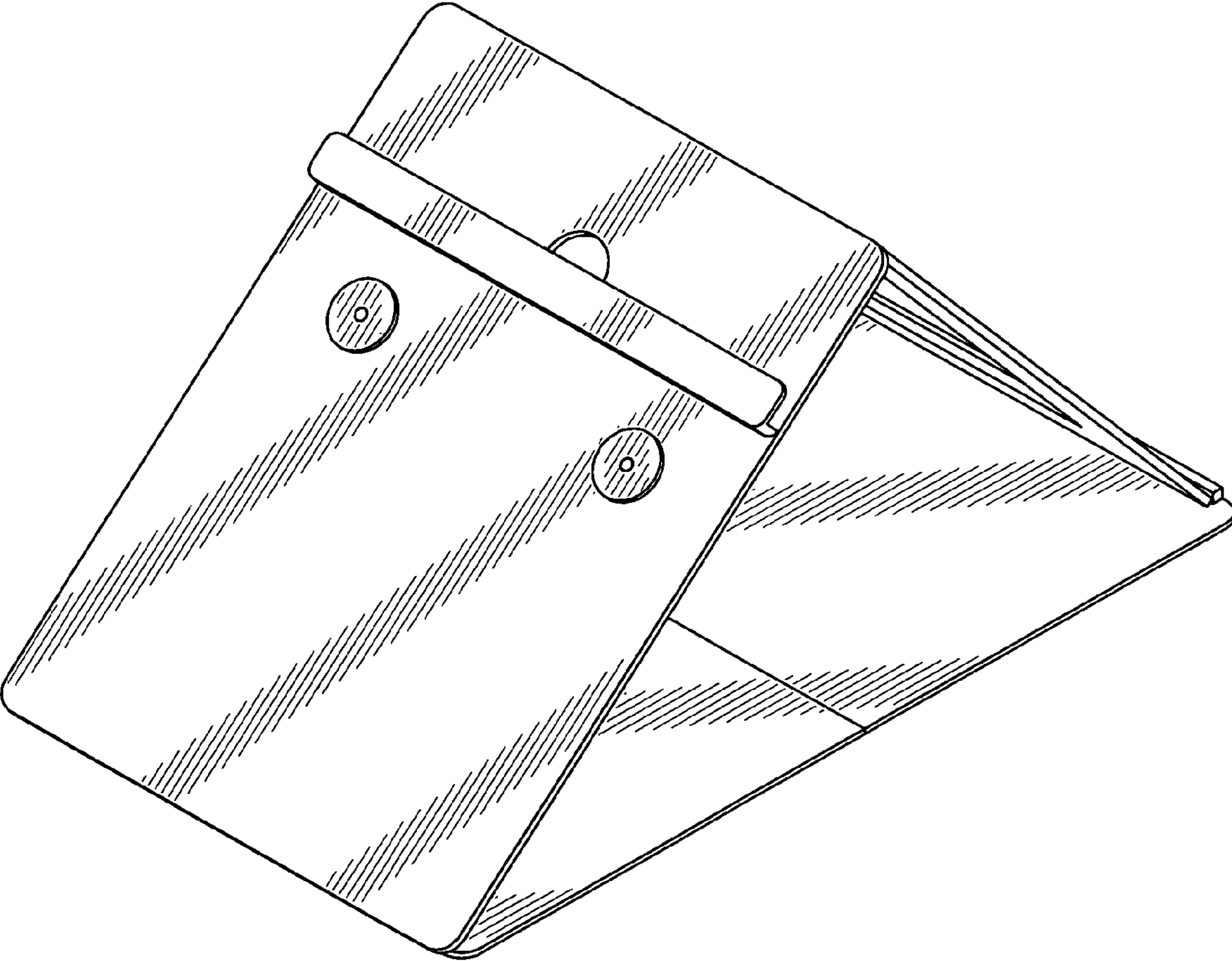


FIG. 2

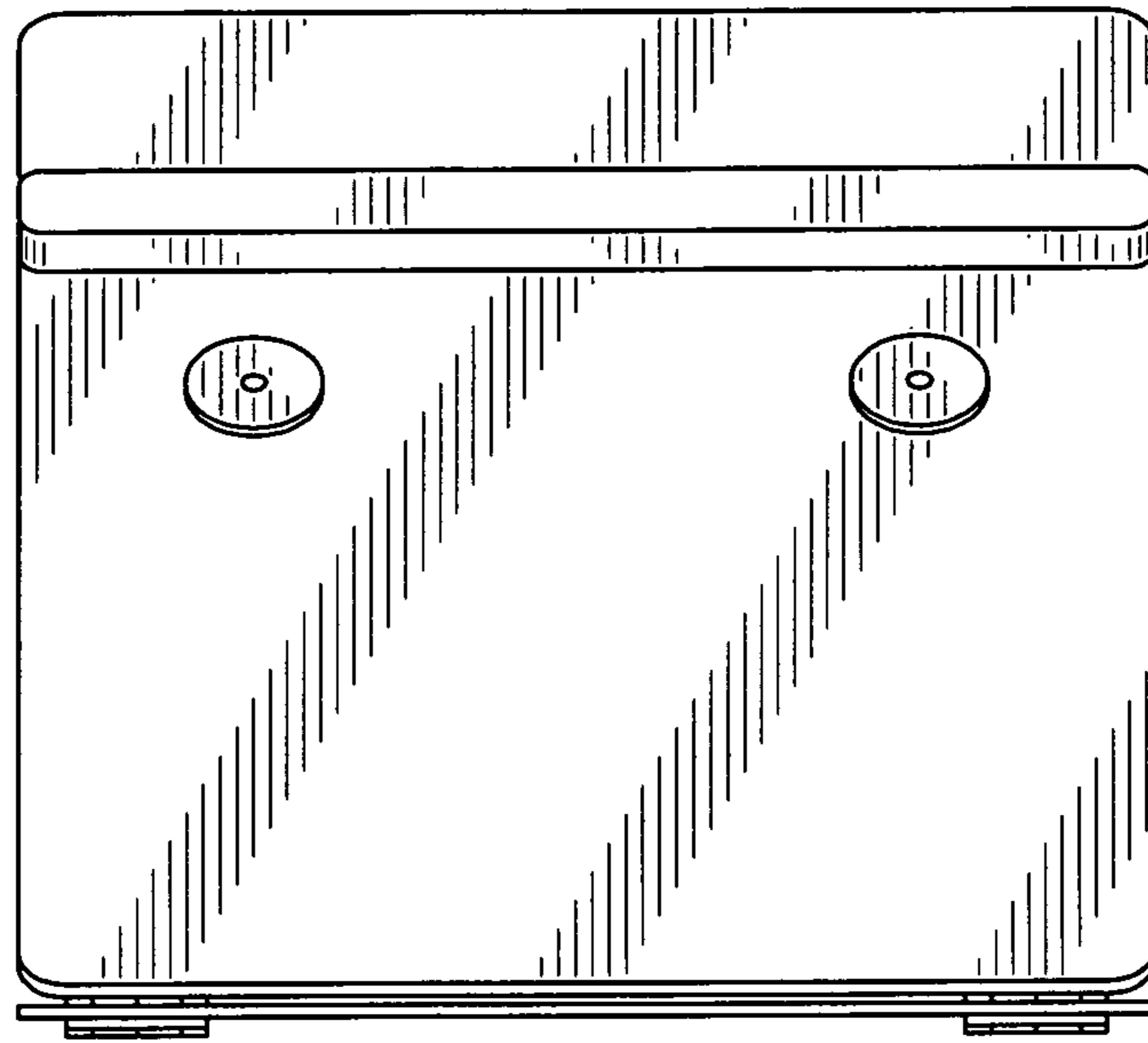


FIG. 3

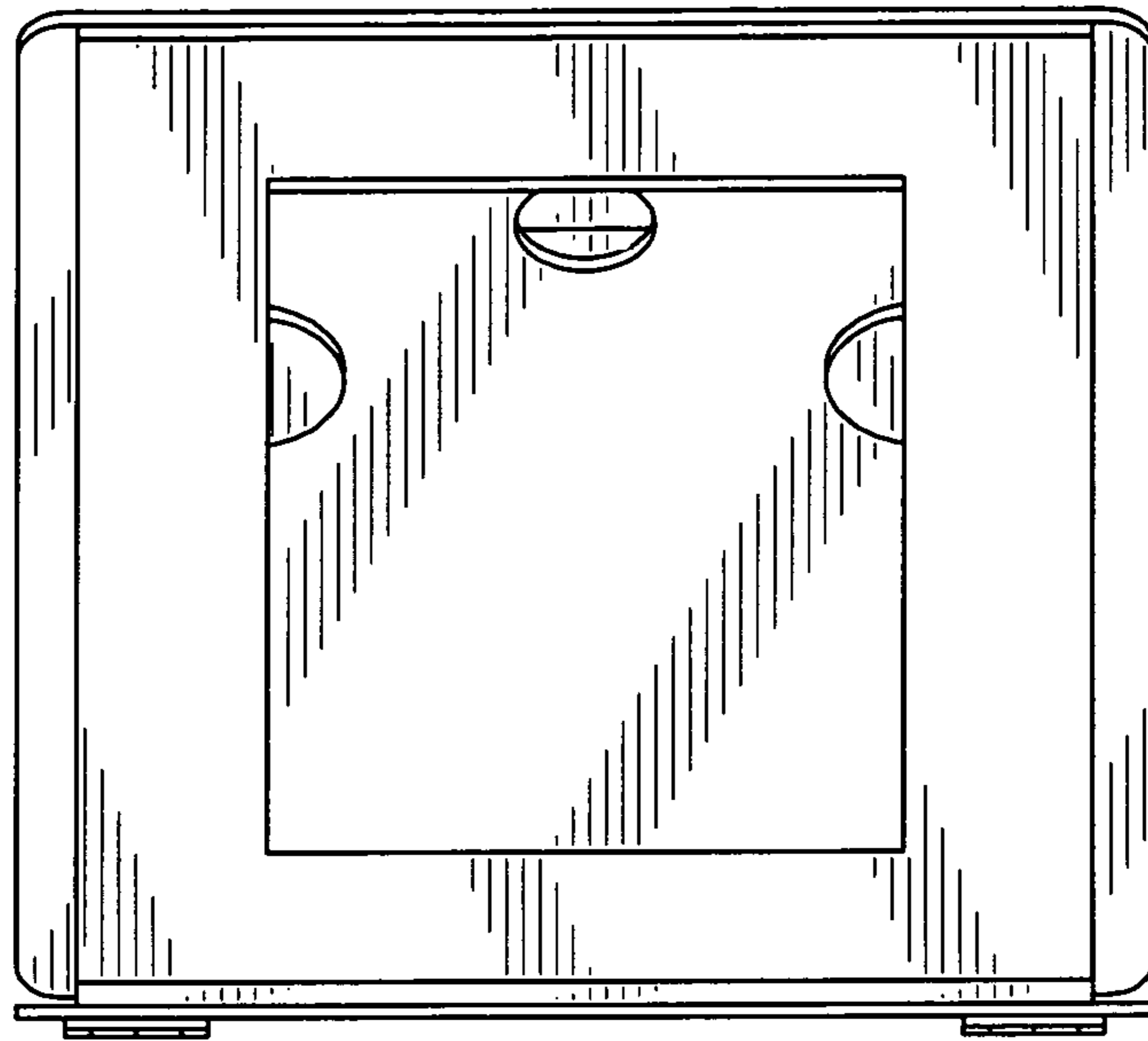


FIG. 4

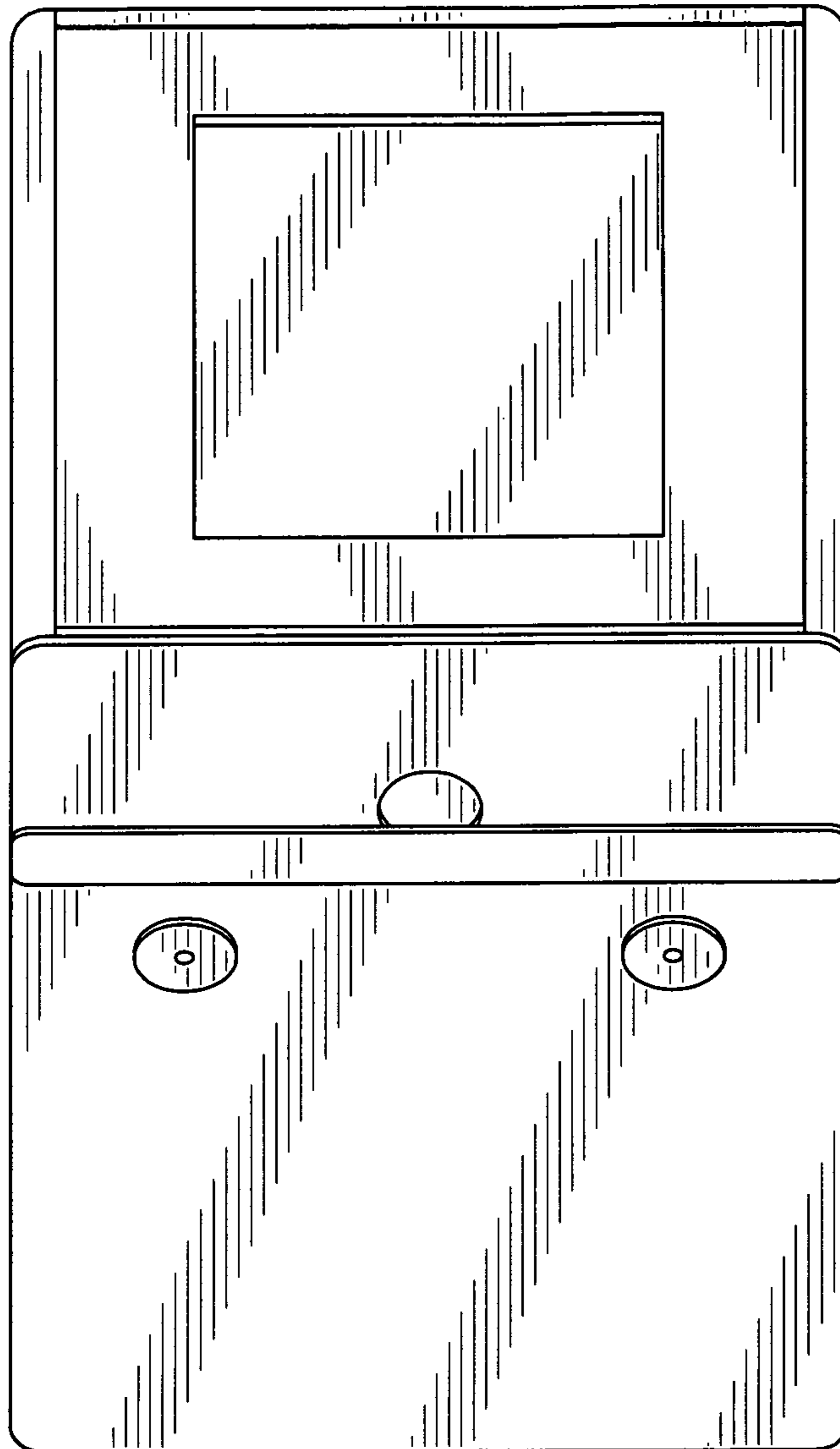


FIG. 5

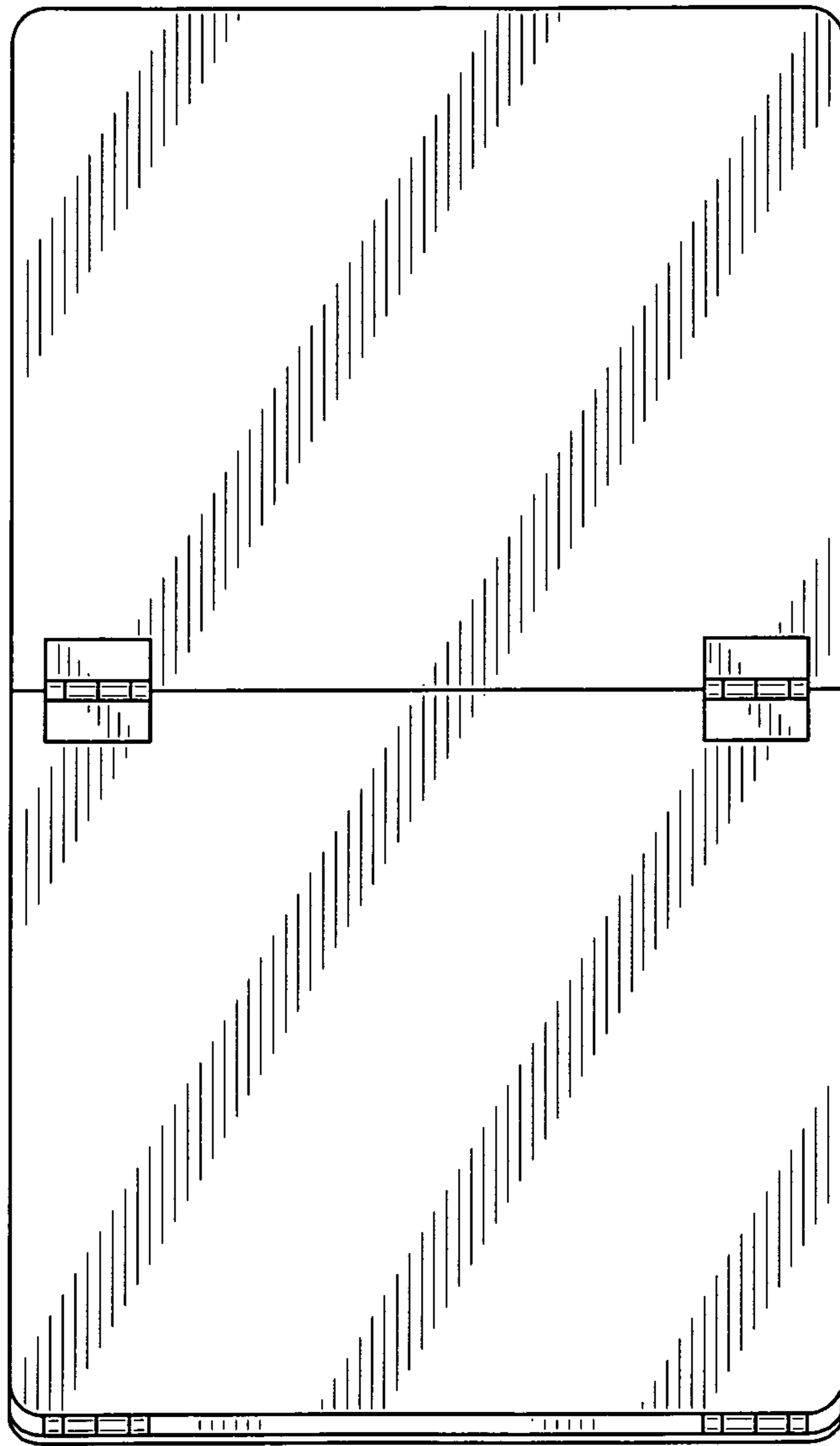


FIG. 6

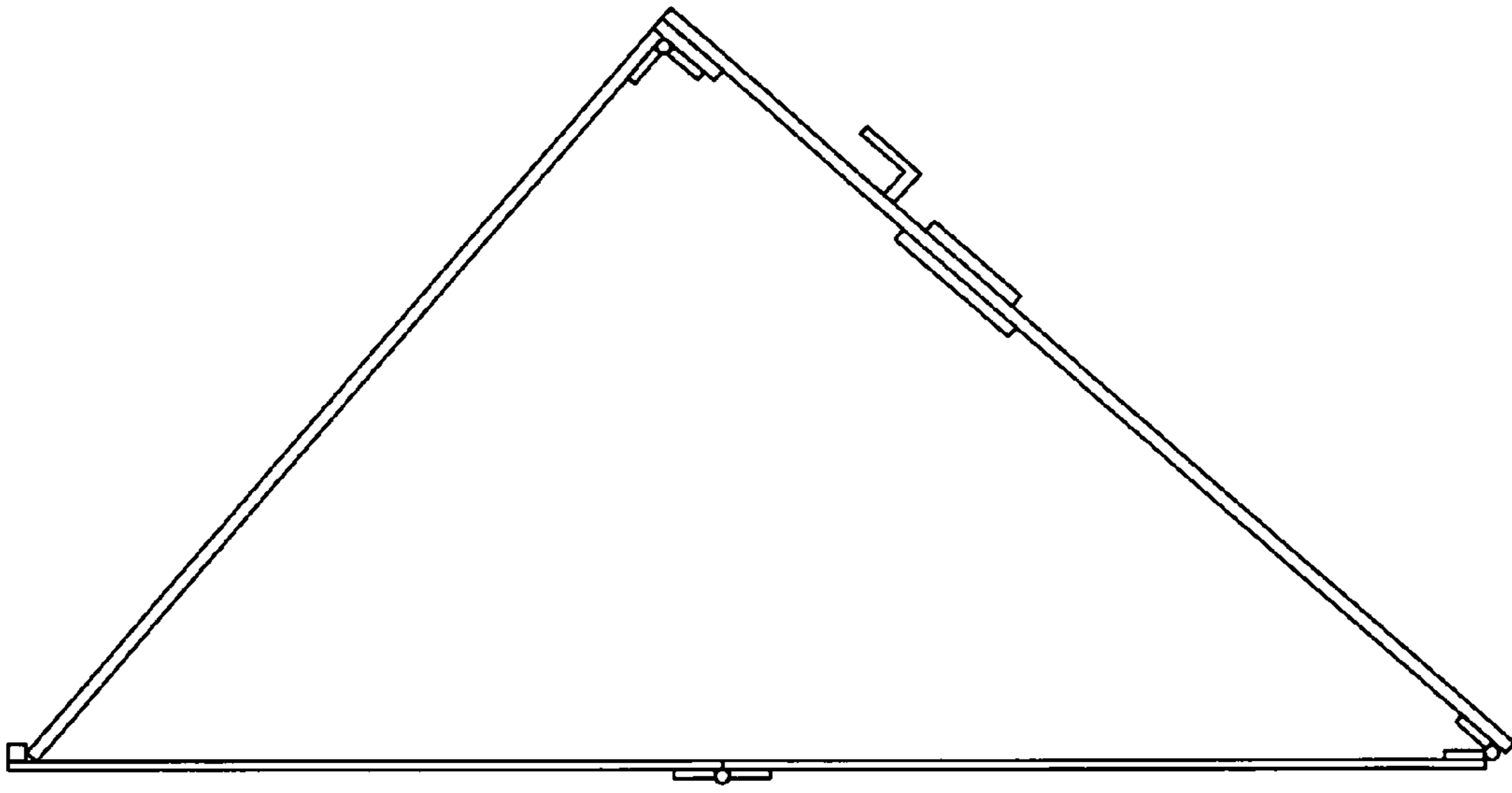


FIG. 7

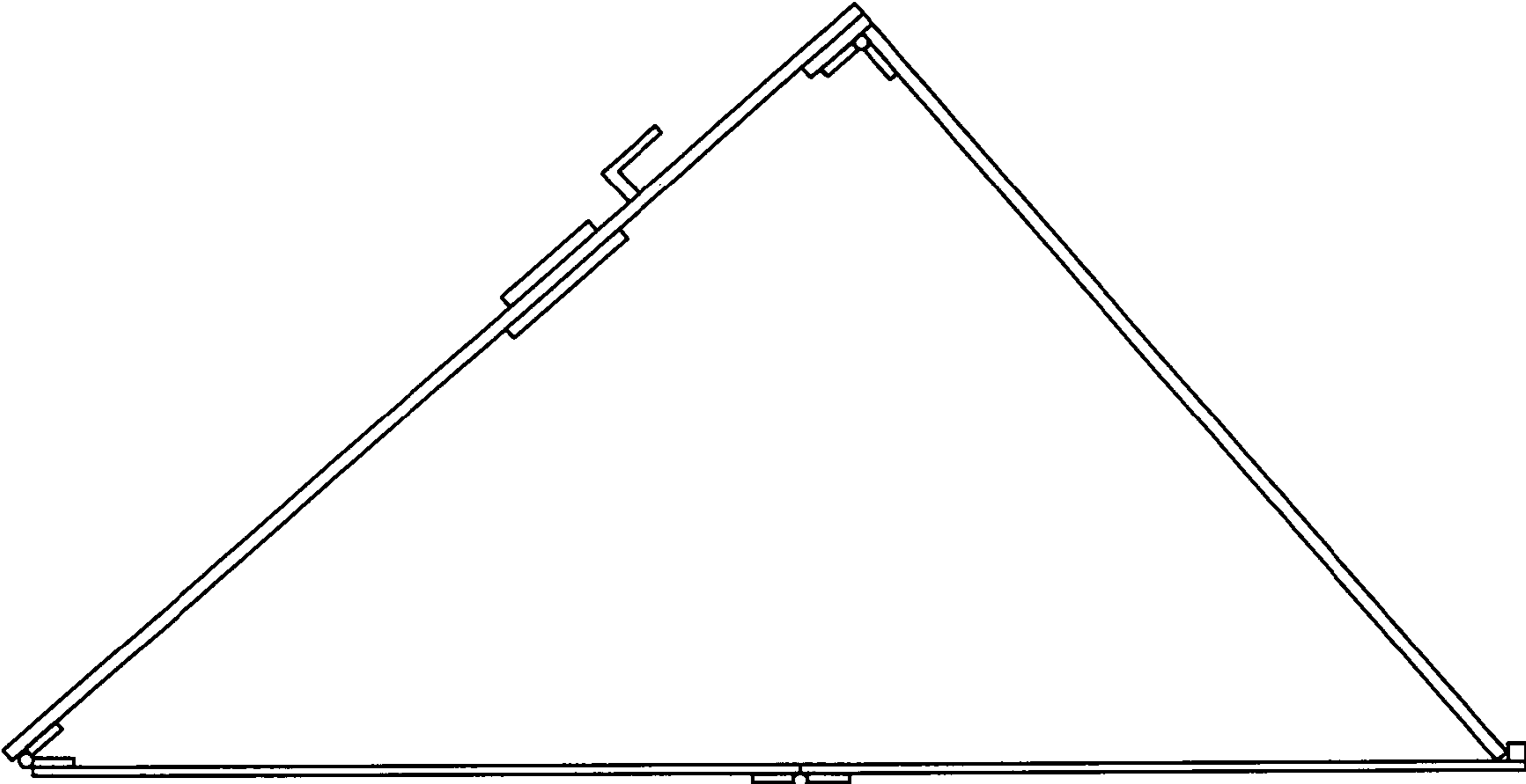


FIG. 8