



US00D699296S

(12) **United States Design Patent**
Wang

(10) **Patent No.:** **US D699,296 S**

(45) **Date of Patent:** **** Feb. 11, 2014**

(54) **PEN CAP**

(71) Applicant: **Beifa Group Co., Ltd.**, Zhejiang (CN)

(72) Inventor: **Yinpeng Wang**, Ningbo (CN)

(73) Assignee: **Beifa Group Co., Ltd.**, Ningbo (CN)

(**) Term: **14 Years**

(21) Appl. No.: **29/437,413**

(22) Filed: **Nov. 15, 2012**

(30) **Foreign Application Priority Data**

May 22, 2012 (CN) 2012 3 0186588

(51) **LOC (10) Cl.** **19-06**

(52) **U.S. Cl.**
USPC **D19/57**

(58) **Field of Classification Search**
USPC D14/411; D19/35, 36, 41-51, 53-58;
24/11 R, 11 F, 11 P; 401/52, 99-109,
401/192, 195, 196

See application file for complete search history.

(56) **References Cited**

U.S. PATENT DOCUMENTS

D339,378 S *	9/1993	Verhaegue	D19/51
D396,729 S	8/1998	Ham		
D409,661 S	5/1999	Izushima		
D416,941 S	11/1999	Chevalier		
D426,572 S	6/2000	Salemme		
D430,212 S	8/2000	Keda		
D430,609 S	9/2000	Keda		
D452,526 S	12/2001	Nishida		
D454,588 S	3/2002	Takanashi		
D480,421 S	10/2003	Hui		
D484,538 S	12/2003	Daida		

(Continued)

OTHER PUBLICATIONS

Wang, Y., "Pen," U.S. Appl. No. 29/435,006, filed Oct. 18, 2012.

(Continued)

Primary Examiner — Elizabeth Albert

(74) *Attorney, Agent, or Firm* — Christensen O'Connor Johnson Kindness PLLC

(57) **CLAIM**

The ornamental design for a pen cap, as shown and described.

DESCRIPTION

FIG. 1 is an upper front left perspective view of a pen cap showing my new design;

FIG. 2 is a front elevation view thereof;

FIG. 3 is a rear elevation view thereof;

FIG. 4 is a right side elevation view thereof, with the left side elevation view being a mirror image of the right side elevation view;

FIG. 5 is a top plan view thereof;

FIG. 6 is a bottom plan view thereof;

FIG. 7 is an enlarged top plan view thereof;

FIG. 8 is an enlarged bottom plan view thereof;

FIG. 9 is an upper front left perspective view of a pen cap showing a variant of the design illustrated in FIG. 1;

FIG. 10 is a front elevation view thereof;

FIG. 11 is a rear elevation view thereof;

FIG. 12 is a right side elevation view thereof, with the left side elevation view being a mirror image of the right side elevation view;

FIG. 13 is a top plan view thereof;

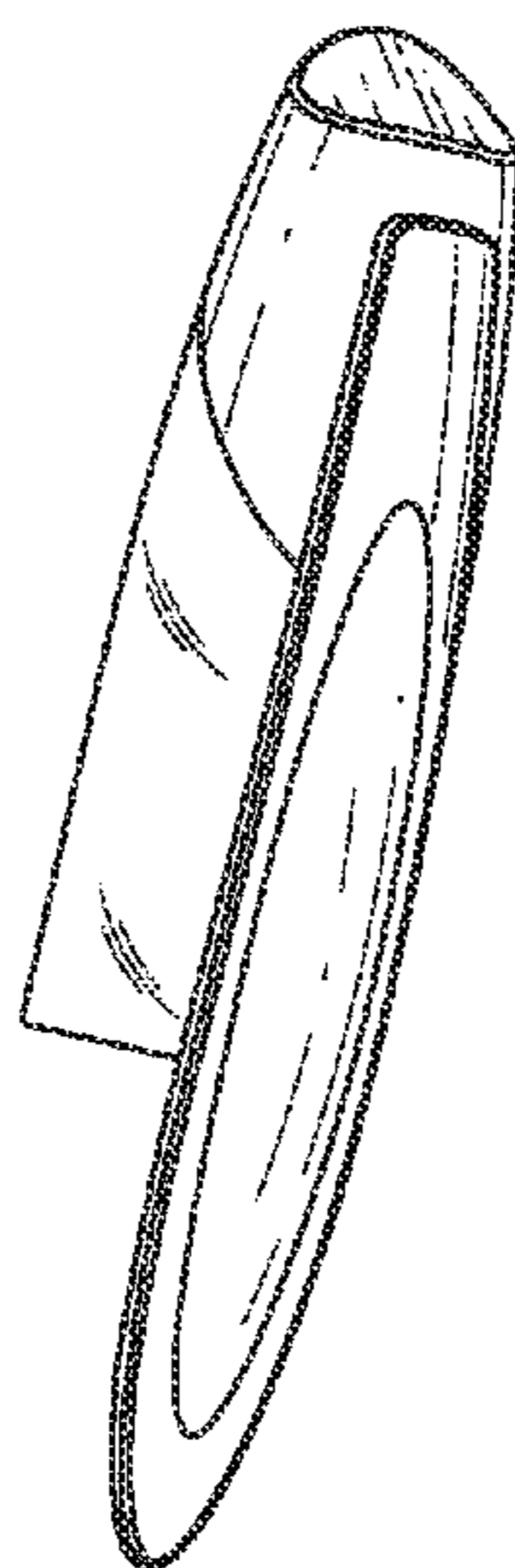
FIG. 14 is a bottom plan view thereof;

FIG. 15 is an enlarged top plan view thereof; and,

FIG. 16 is an enlarged bottom plan view thereof.

The broken lines shown in FIGS. 6, 8, 14, and 16 illustrate boundaries of the claim and form no part of the claimed design.

1 Claim, 6 Drawing Sheets



(56)

References Cited

U.S. PATENT DOCUMENTS

D497,643 S * 10/2004 Nishida D19/51
D509,536 S * 9/2005 Nishida D19/43
D540,383 S * 4/2007 Nishida D19/43
D546,386 S 7/2007 Qiu
D546,387 S 7/2007 Qiu
D547,802 S * 7/2007 Jeon D19/43
D552,673 S 10/2007 Rolion
D552,675 S * 10/2007 Zhang D19/48
D572,760 S * 7/2008 Ma D19/50
D574,040 S * 7/2008 Lin D19/56
D575,340 S 8/2008 Ma

D591,351 S 4/2009 Shi
D610,617 S * 2/2010 Zhang D19/50
D663,301 S * 7/2012 Lien D14/411
D678,410 S * 3/2013 Kermoal D19/50
D678,943 S * 3/2013 Jiang D19/50
D678,945 S * 3/2013 Jiang D19/51
D679,328 S * 4/2013 Jiang D19/57
D681,116 S * 4/2013 Kermoal D19/50

OTHER PUBLICATIONS

Wang, Y., "Pen," U.S. Appl. No. 29/435,016, filed Oct. 18, 2012.
Xie, J., "Pen," U.S. Appl. No. 29/405,752, filed Nov. 4, 2011.

* cited by examiner

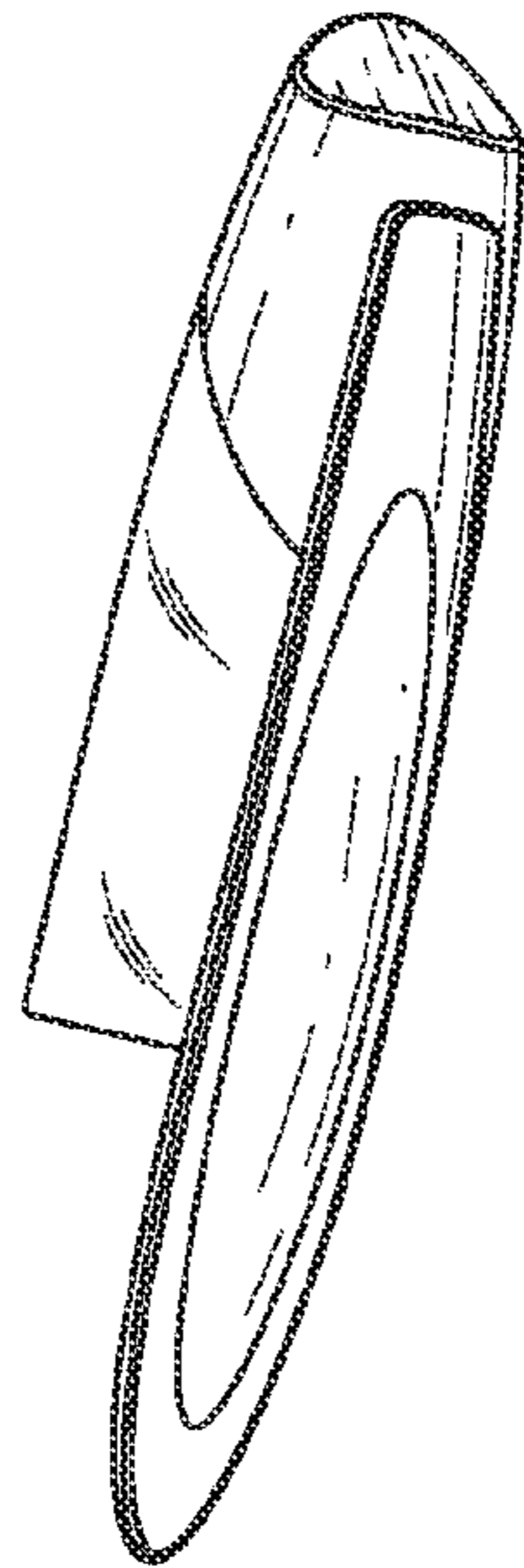


Fig. 1.

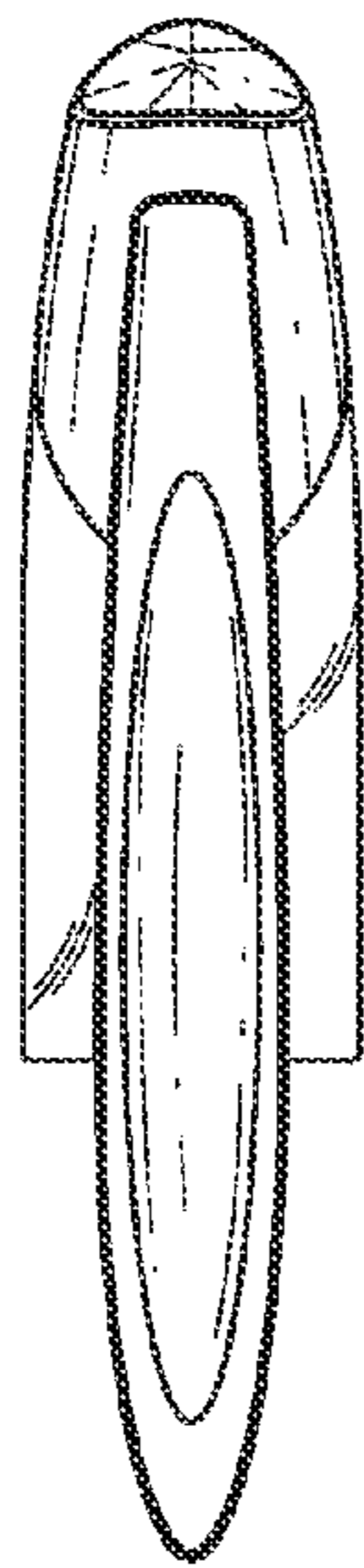


Fig. 2.



Fig. 3.

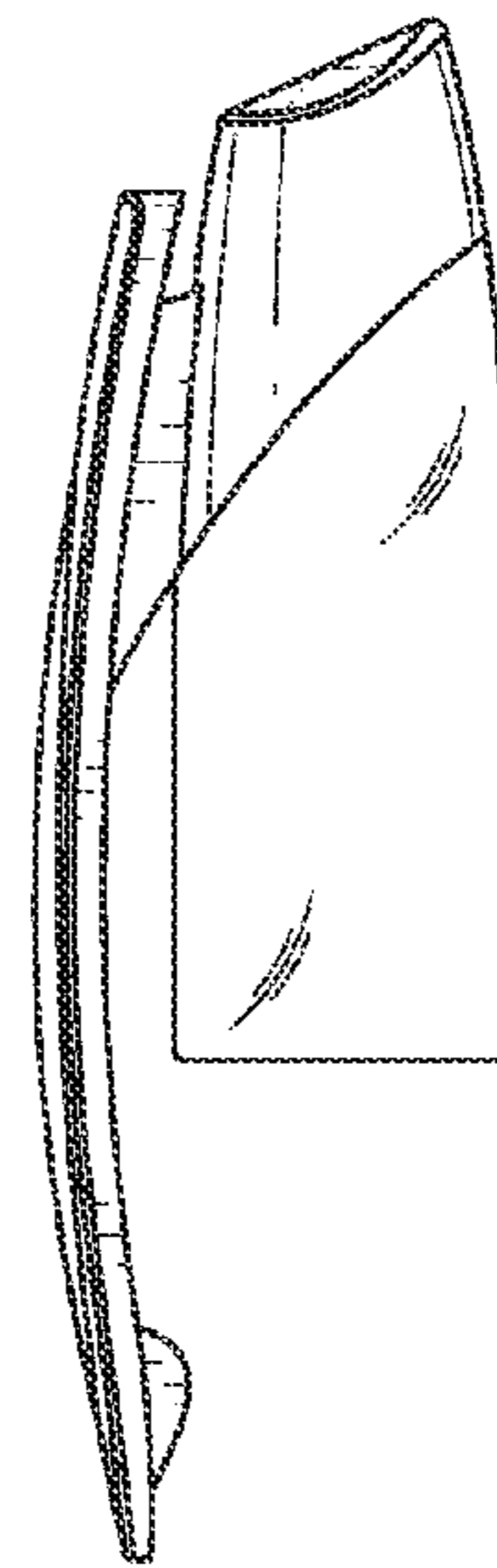


Fig. 4.

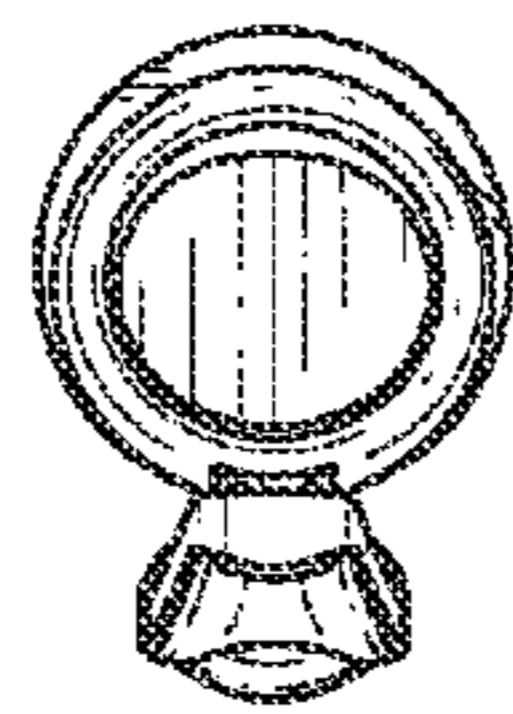


Fig. 5.

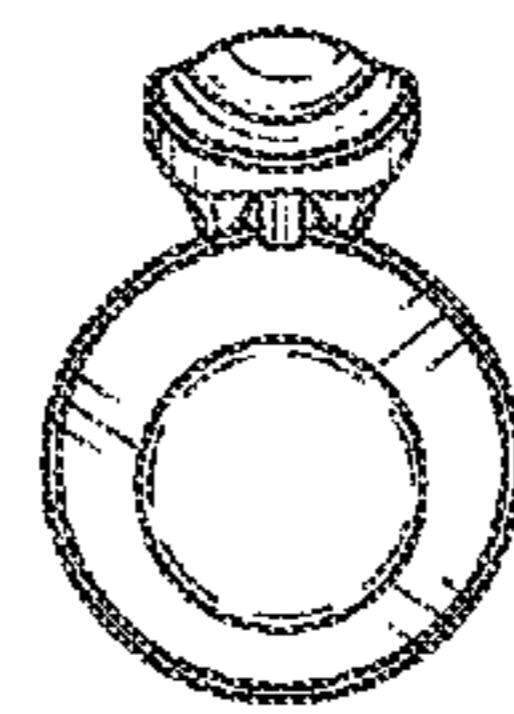


Fig. 6.

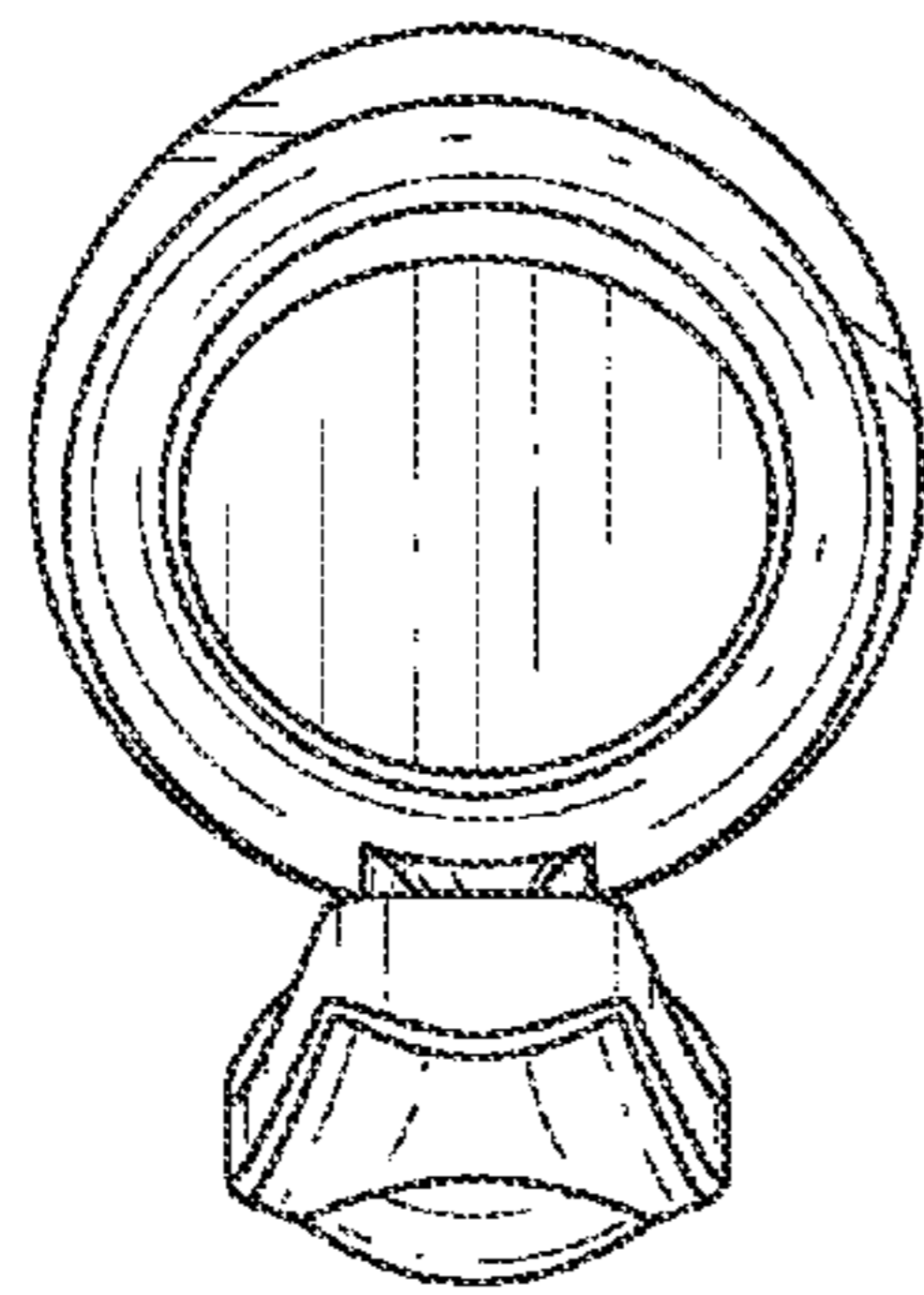


Fig. 7.

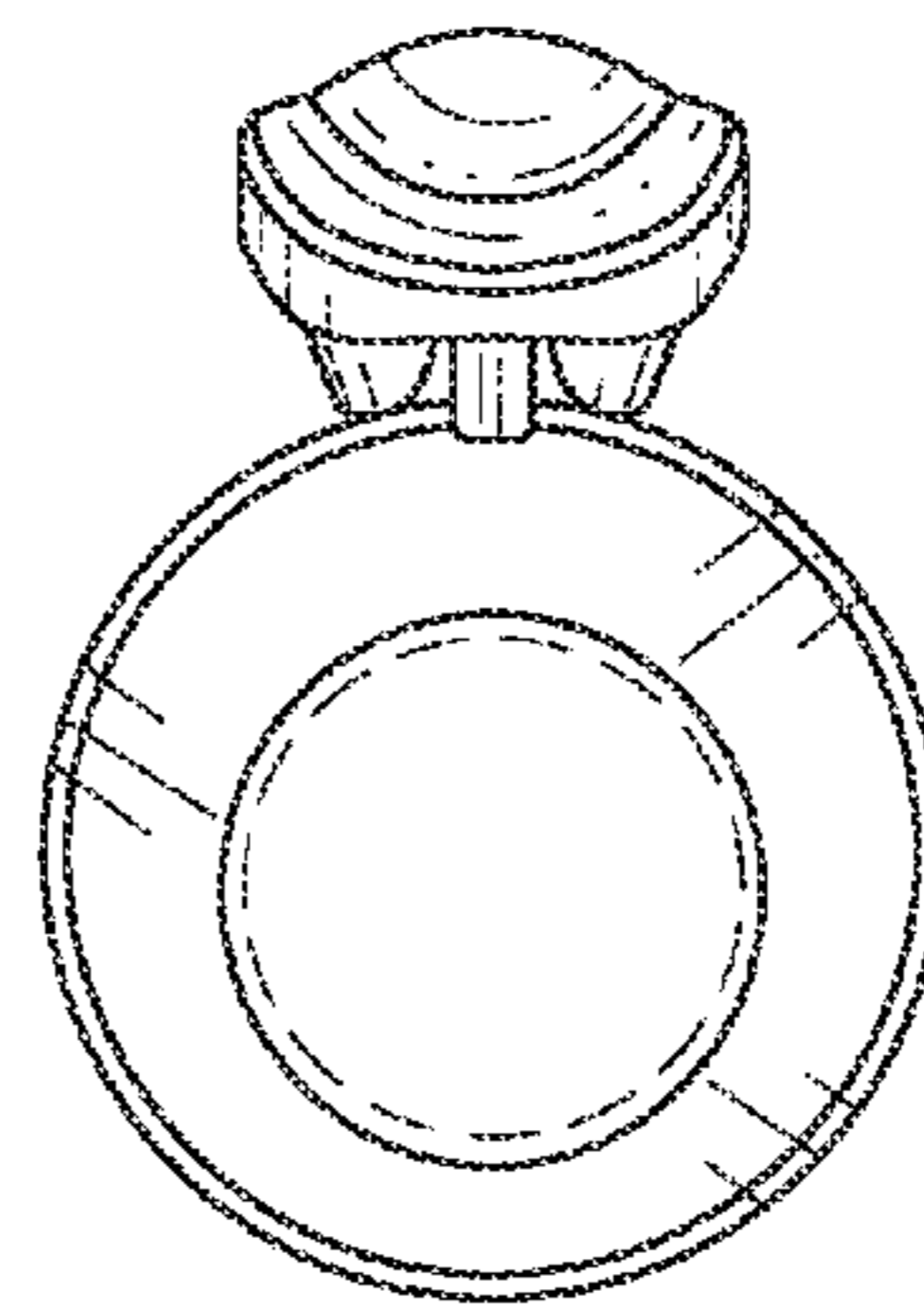


Fig. 8.

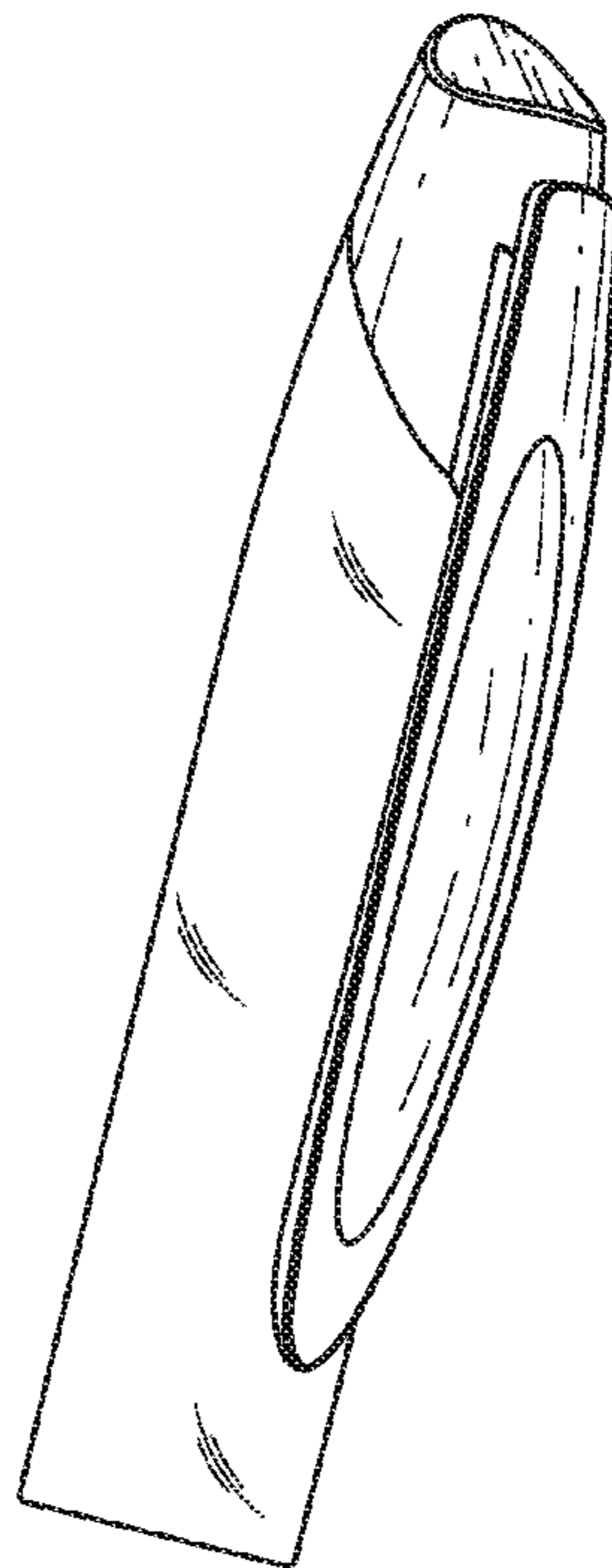


Fig. 9.

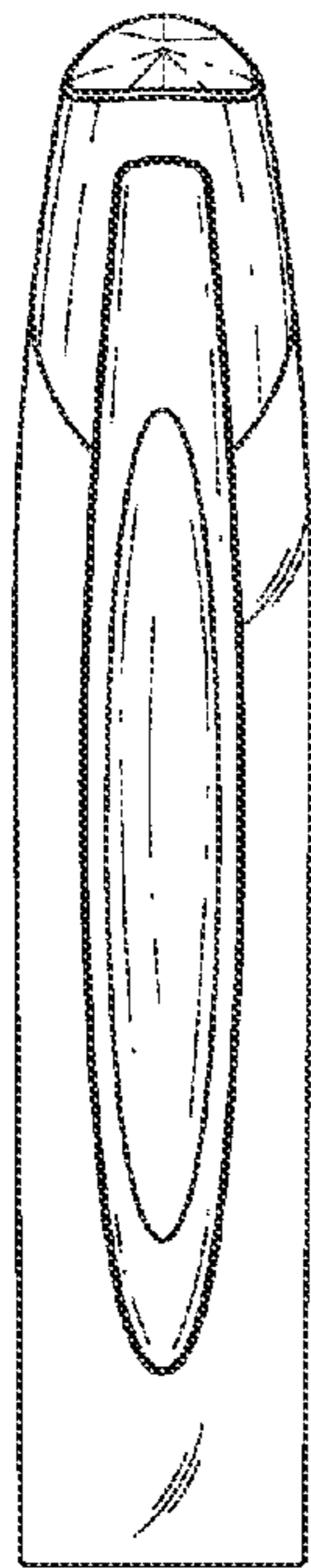


Fig. 10.

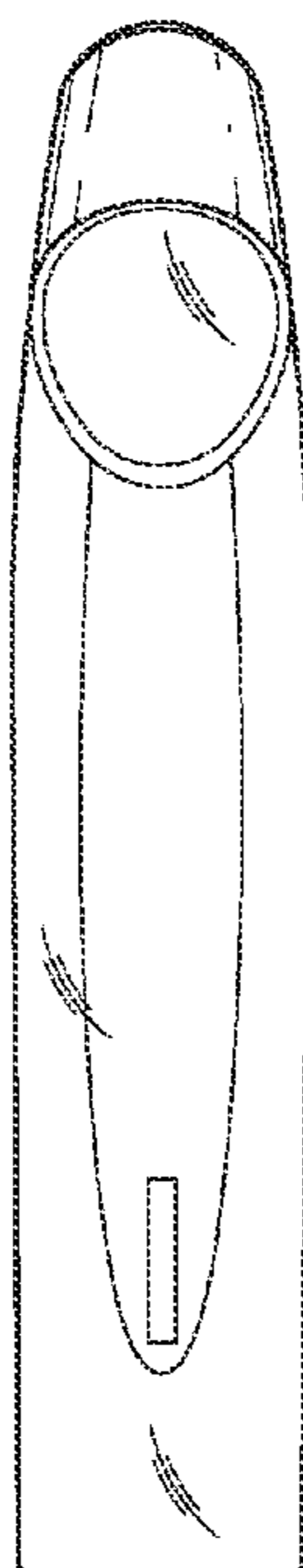


Fig. 11.

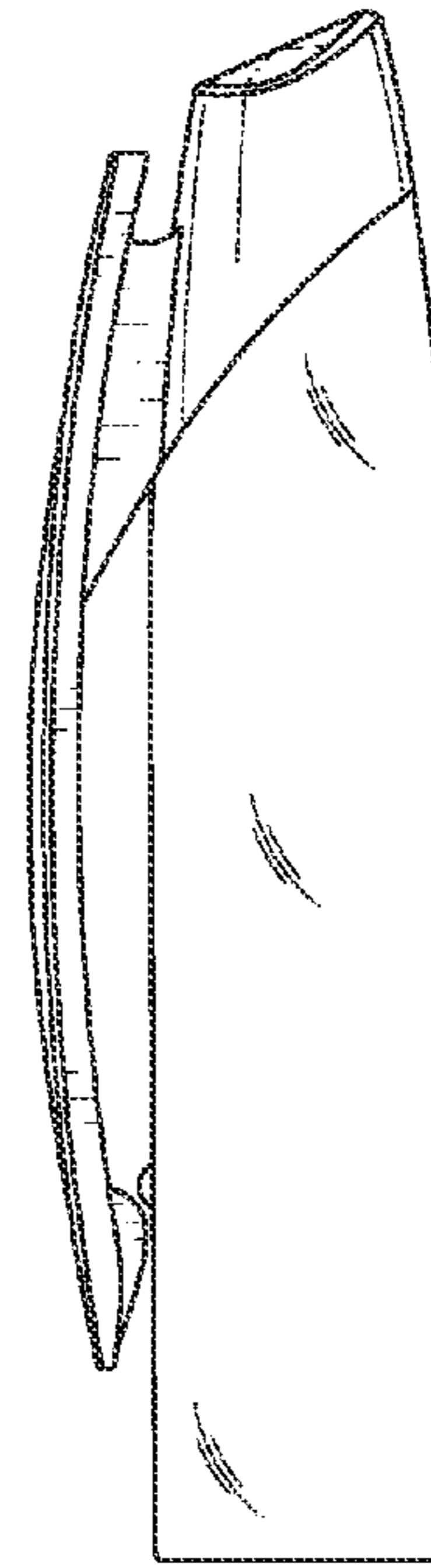


Fig. 12.

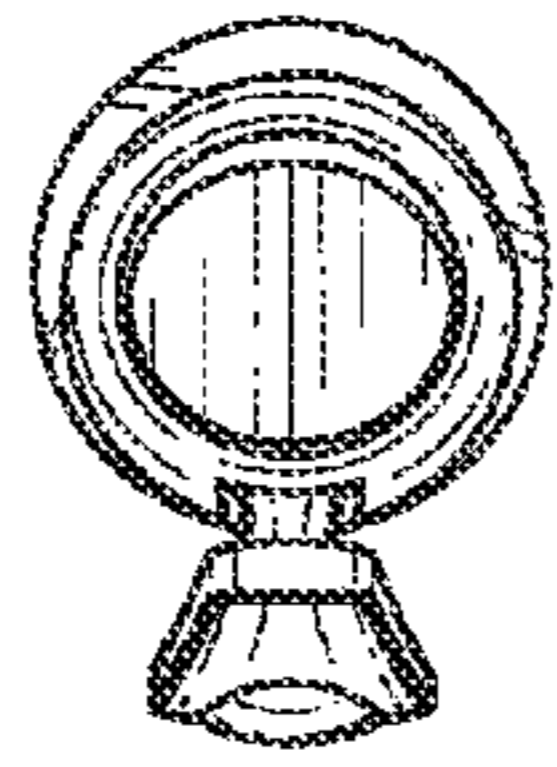


Fig. 13.

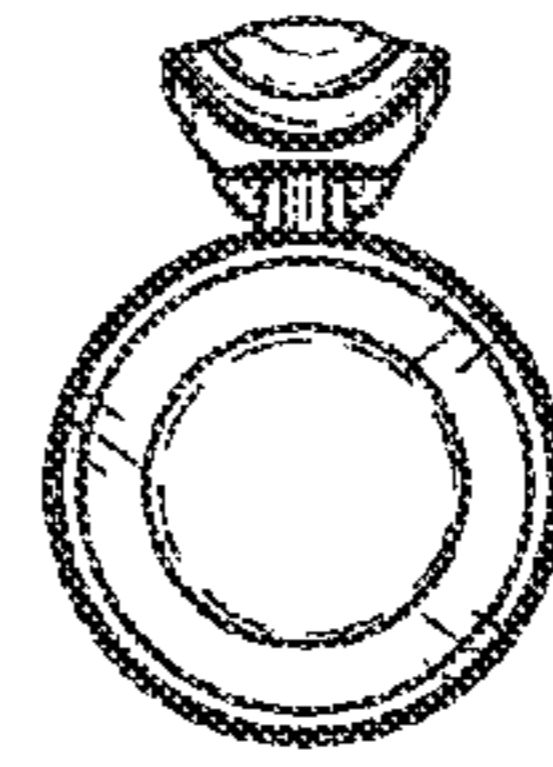


Fig. 14.

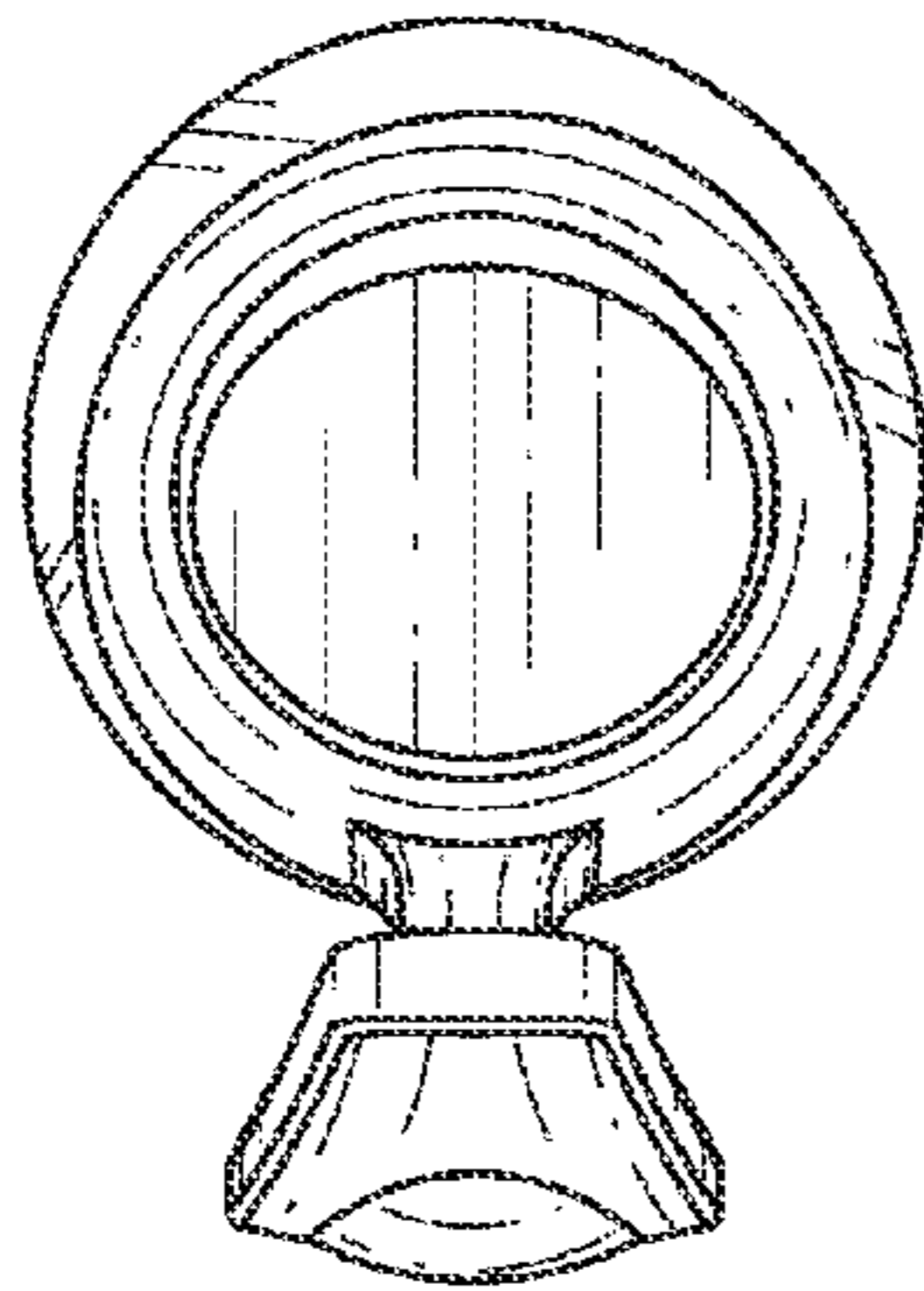


Fig. 15.

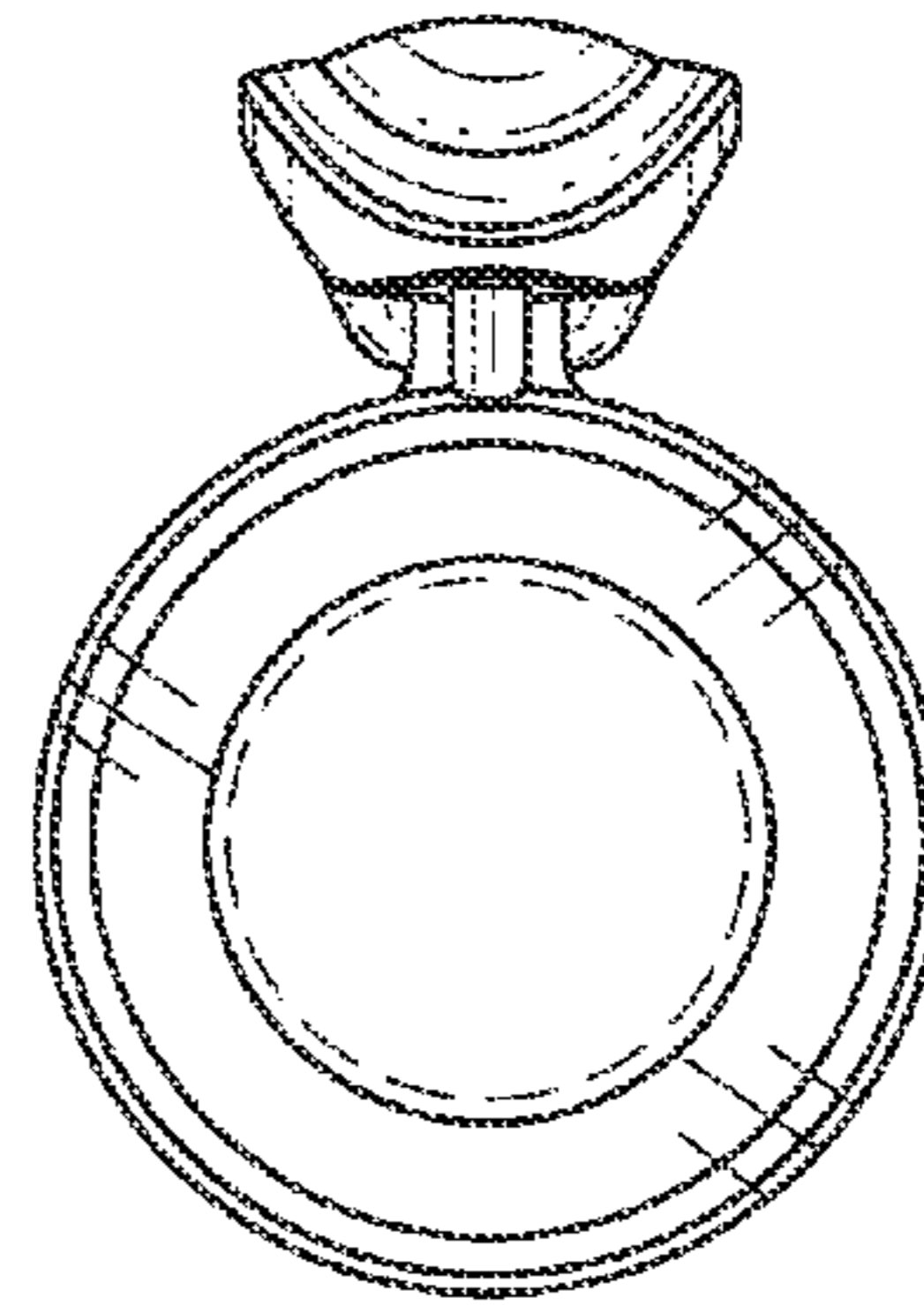


Fig. 16.