



(12) **United States Design Patent**
Xie

(10) **Patent No.:** **US D699,295 S**
(45) **Date of Patent:** **** Feb. 11, 2014**

(54) **PEN CAP**
(71) Applicant: **Beifa Group Co., Ltd.**, Zhejiang (CN)
(72) Inventor: **Jianzhe Xie**, Ningbo (CN)
(73) Assignee: **Beifa Group Co., Ltd.**, Ningbo (CN)
(**) Term: **14 Years**
(21) Appl. No.: **29/437,410**
(22) Filed: **Nov. 15, 2012**

D324,067 S 2/1992 Katami
D329,461 S 9/1992 Katami
D333,677 S * 3/1993 Giralt D19/48
D339,162 S 9/1993 Verhaegue
D339,378 S 9/1993 Verhaegue
D353,620 S 12/1994 De Baillon
D355,440 S * 2/1995 Lin D19/51
D355,441 S * 2/1995 Rosenbaum D19/51
D359,982 S 7/1995 Rosenbaum
D359,983 S 7/1995 Rosenbaum
D383,494 S 9/1997 Polenberg
D389,864 S * 1/1998 Jones et al. D19/48
D390,873 S 2/1998 Oka

(Continued)

(30) **Foreign Application Priority Data**
May 18, 2012 (CN) 2012 3 0181243
(51) **LOC (10) Cl.** **19-06**
(52) **U.S. Cl.**
USPC **D19/57**
(58) **Field of Classification Search**
USPC D14/411; D19/35, 36, 41-51, 53-58;
24/11 R, 11 F, 11 P; 401/52, 99-109,
401/192, 195, 196
See application file for complete search history.

OTHER PUBLICATIONS

Xie, J., "Pen," U.S. Appl. No. 29/435,849, filed Oct. 29, 2012.

Primary Examiner — Elizabeth Albert

(74) *Attorney, Agent, or Firm* — Christensen O'Connor Johnson Kindness PLLC

(57) **CLAIM**

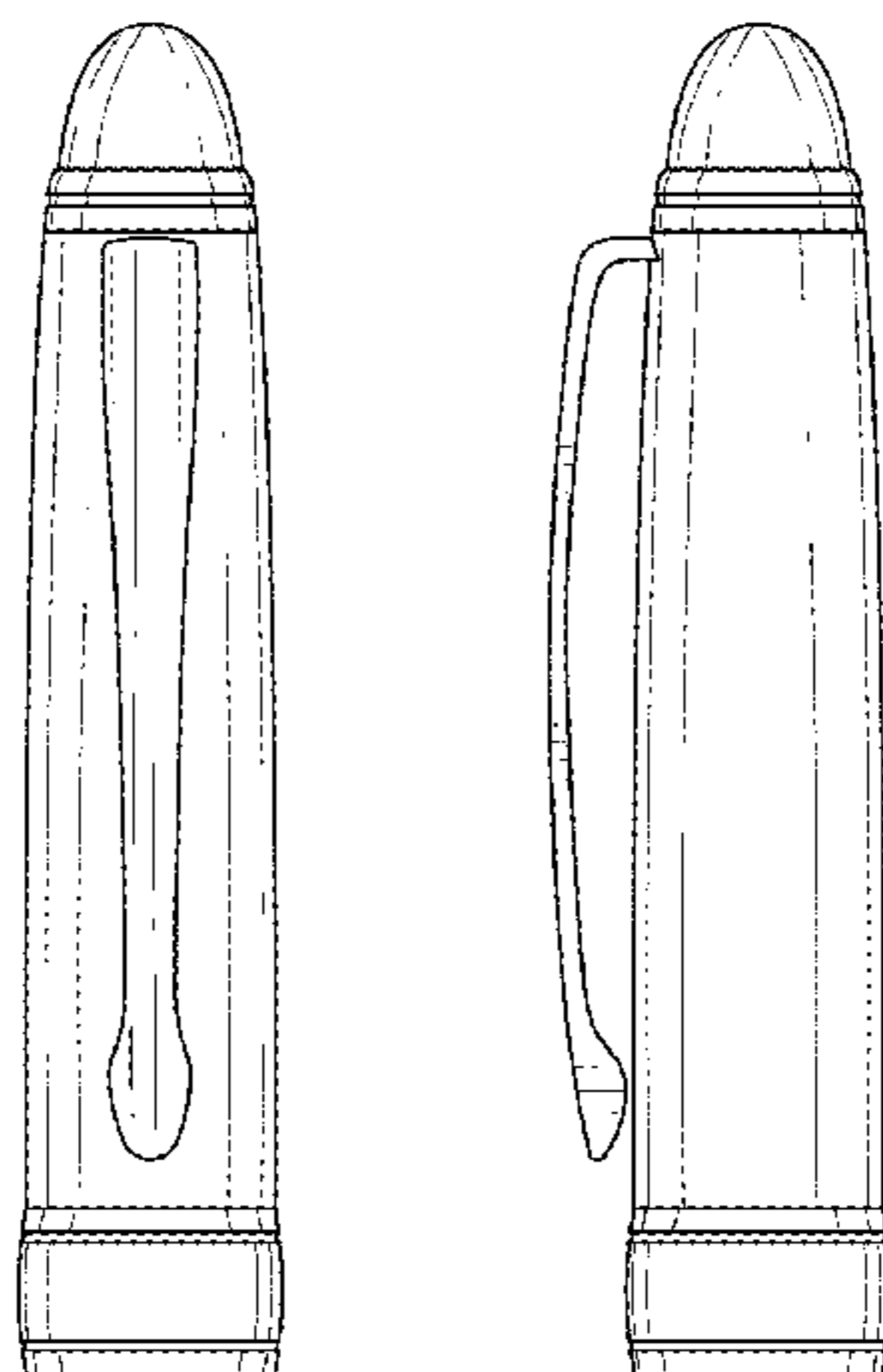
The ornamental design for a pen cap, as shown and described.

DESCRIPTION

FIG. 1 is an upper front left perspective view of a pen cap showing my new design;
FIG. 2 is a front elevation view thereof;
FIG. 3 is a rear elevation view thereof;
FIG. 4 is a right side elevation view thereof, with the left side elevation view being a mirror image of the right side elevation view;
FIG. 5 is a top plan view thereof;
FIG. 6 is a bottom plan view thereof;
FIG. 7 is an enlarged top plan view thereof; and,
FIG. 8 is an enlarged bottom plan view thereof.
The broken lines in FIGS. 6 and 8 that define the bounds of the claimed design form no part thereof.

(56) **References Cited**
U.S. PATENT DOCUMENTS
D81,254 S 5/1930 Parker
D83,591 S 3/1931 Bienenstein
D83,592 S * 3/1931 Bienenstein D19/48
D119,932 S 4/1940 Lapteff
D138,346 S 7/1944 Kahn
D142,390 S * 9/1945 Olson et al. D19/48
D143,176 S 12/1945 Whitehouse
D151,658 S * 11/1948 Sams D19/48
D155,613 S 10/1949 Kahn
D260,658 S 9/1981 Chiba
D310,100 S 8/1990 Yubisui
D314,843 S 2/1991 Kamali
D323,189 S 1/1992 Tu

1 Claim, 3 Drawing Sheets



US D699,295 S

Page 2

(56)

References Cited

U.S. PATENT DOCUMENTS

D401,275 S	11/1998	Otake			
D433,446 S	11/2000	Rosenbaum			
D433,447 S	11/2000	Rosenbaum			
D449,650 S	* 10/2001	Verhaeghe	D19/43	* cited by examiner
D463,492 S	*	9/2002	Kramer et al.	D19/51
D540,385 S		4/2007	Qiu		
D562,382 S	*	2/2008	Qiu	D19/35
D567,288 S		4/2008	Keil		
D647,966 S	*	11/2011	Koch	D19/51
D685,427 S	*	7/2013	Liu	D19/51

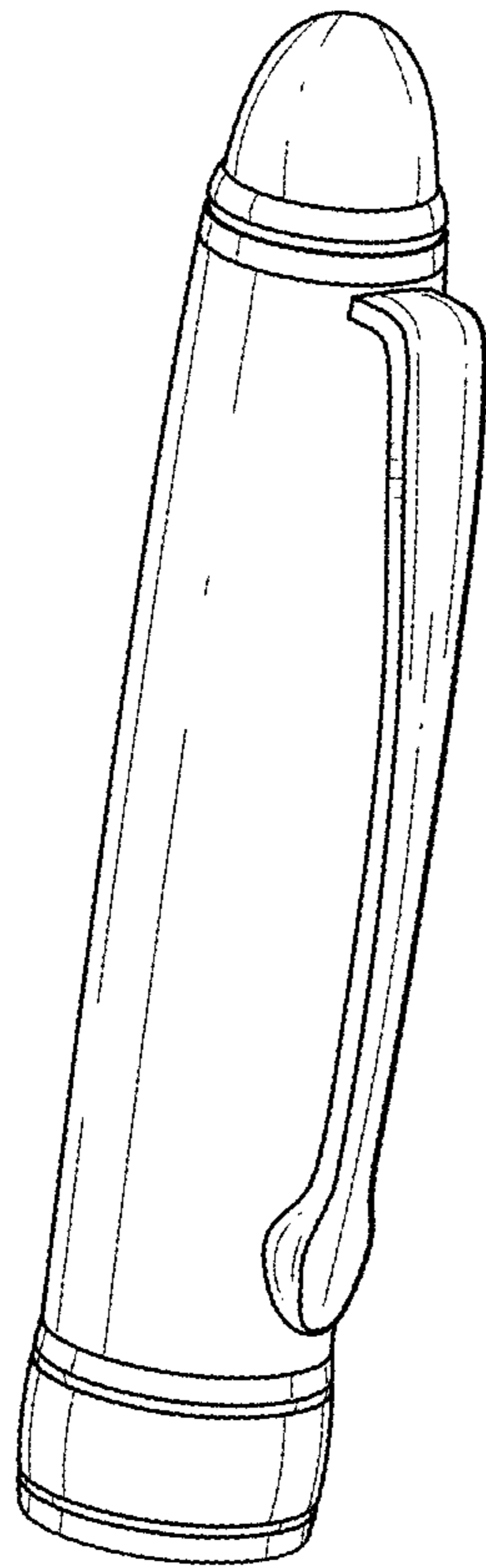


Fig. 1.

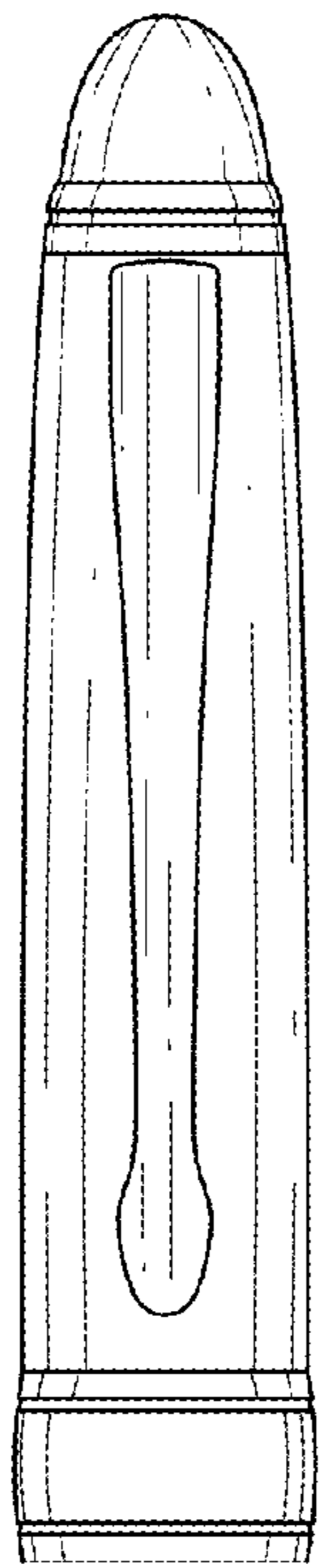


Fig. 2.

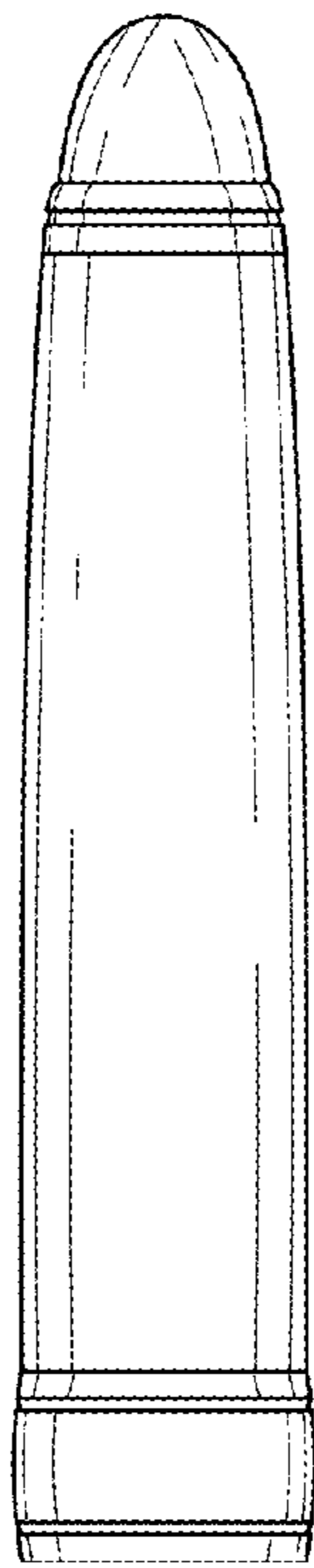


Fig. 3.

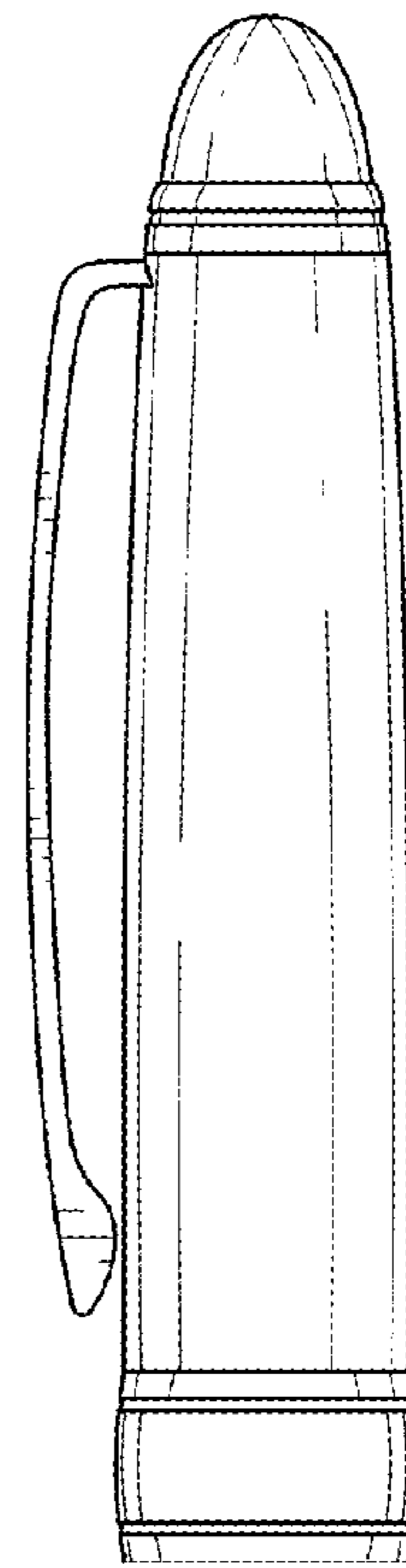


Fig. 4.

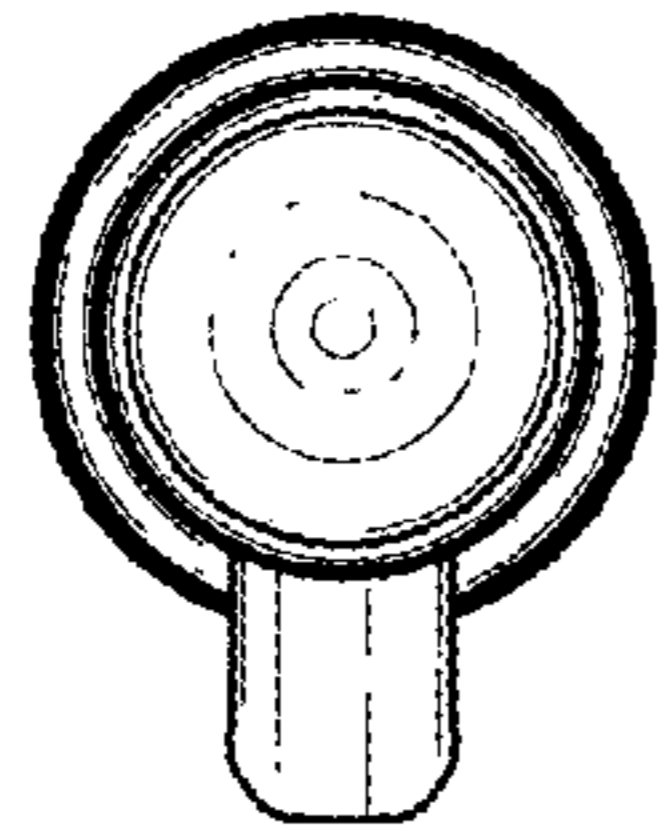


Fig. 5.

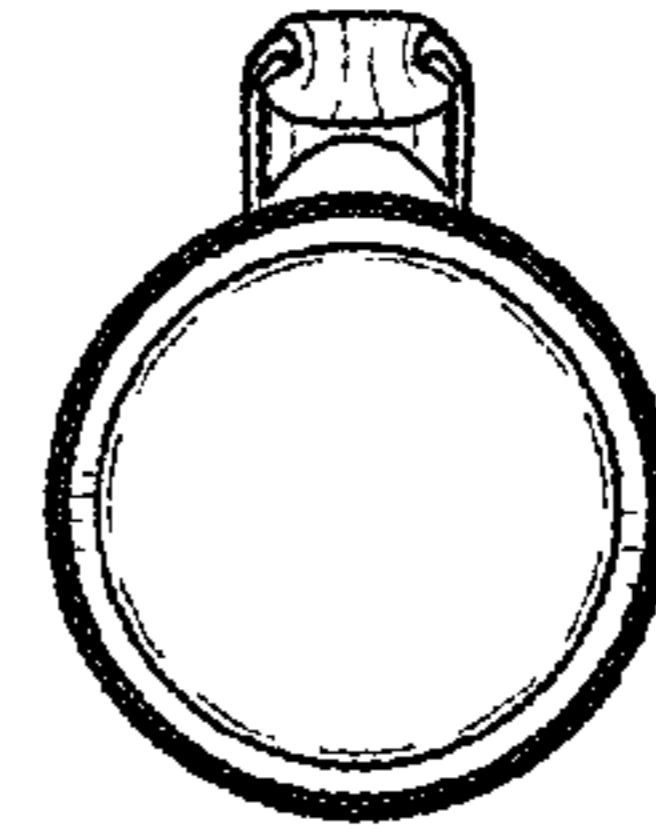


Fig. 6.

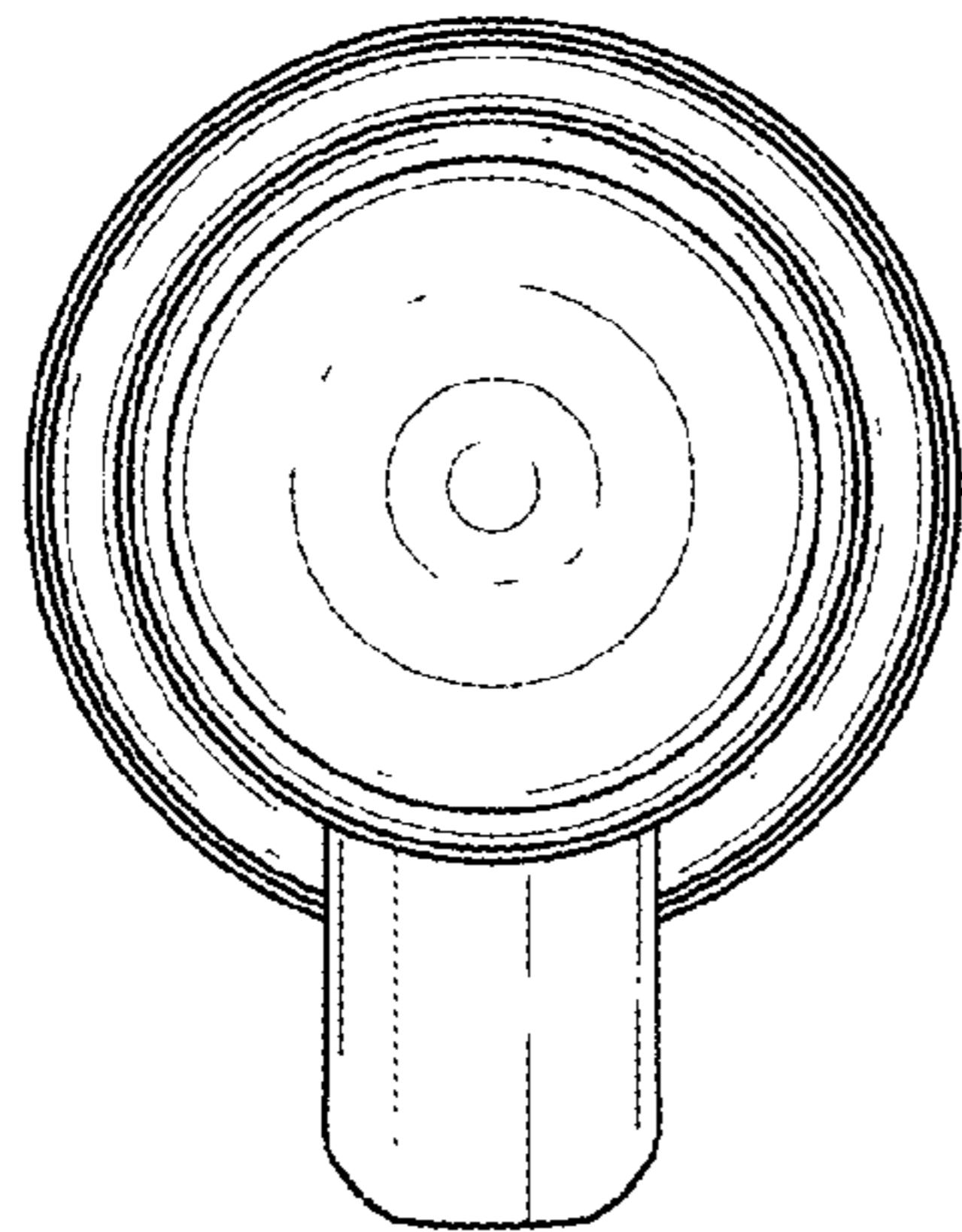


Fig. 7.

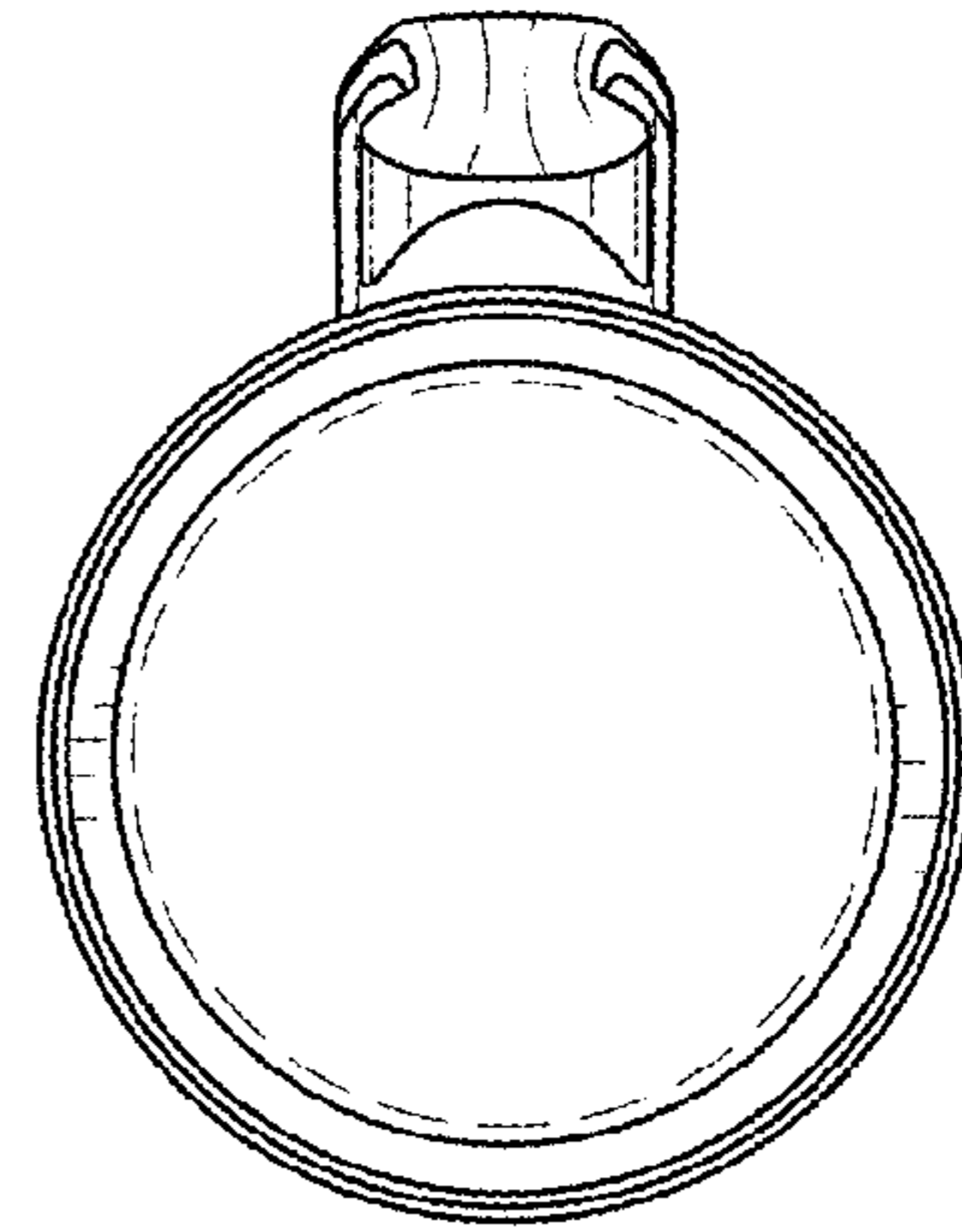


Fig. 8.