

US00D699293S

(12) **United States Design Patent**
Xie

(10) **Patent No.:** **US D699,293 S**
(45) **Date of Patent:** **** Feb. 11, 2014**

- (54) **PEN**
- (71) Applicant: **Beifa Group Co., Ltd.**, Zhejiang (CN)
- (72) Inventor: **Jianzhe Xie**, Ningbo (CN)
- (73) Assignee: **Beifa Group Co., Ltd.**, Ningbo (CN)
- (**) Term: **14 Years**
- (21) Appl. No.: **29/435,849**
- (22) Filed: **Oct. 29, 2012**

(30) **Foreign Application Priority Data**

Apr. 28, 2012 (CN) 2012 3 0139375

- (51) **LOC (10) Cl.** **19-06**
- (52) **U.S. Cl.**
USPC **D19/51**
- (58) **Field of Classification Search**
USPC D14/411; D19/35, 36, 41–51, 53–58;
24/11 R, 11 F, 11 P; 401/52, 99–109,
401/192, 195, 196
See application file for complete search history.

(56) **References Cited**

U.S. PATENT DOCUMENTS

- D83,591 S 3/1931 Bienenstein
- D83,592 S * 3/1931 Bienenstein D19/48
- D138,346 S 7/1944 Kahn
- D142,386 S 9/1945 Olson
- D142,390 S 9/1945 Olson
- D143,176 S 12/1945 Whitehouse
- D151,658 S 11/1948 Sams
- D162,213 S 2/1951 Nelson
- D195,750 S 7/1963 Rösler
- D260,658 S 9/1981 Chiba
- D310,100 S 8/1990 Yubisui
- D314,843 S 2/1991 Kamali
- D321,009 S 10/1991 Yubisui

- D323,189 S * 1/1992 Tu D19/48
- D324,067 S 2/1992 Katami
- D327,707 S 7/1992 Katami
- D329,461 S 9/1992 Katami
- D333,677 S * 3/1993 Giralt D19/48
- D337,207 S 7/1993 Tiramani
- D355,440 S 2/1995 Lin
- D355,441 S * 2/1995 Rosenbaum D19/51
- D359,982 S 7/1995 Rosenbaum
- D359,983 S 7/1995 Rosenbaum
- D383,494 S * 9/1997 Polenberg D19/48
- D389,864 S * 1/1998 Jones et al. D19/48
- D401,275 S 11/1998 Otake

(Continued)

OTHER PUBLICATIONS

Jiang, L., "Pen," U.S. Appl. No. 29/404,070, filed Oct. 14, 2011.

(Continued)

Primary Examiner — Elizabeth Albert
(74) *Attorney, Agent, or Firm* — Christensen O'Connor Johnson Kindness PLLC

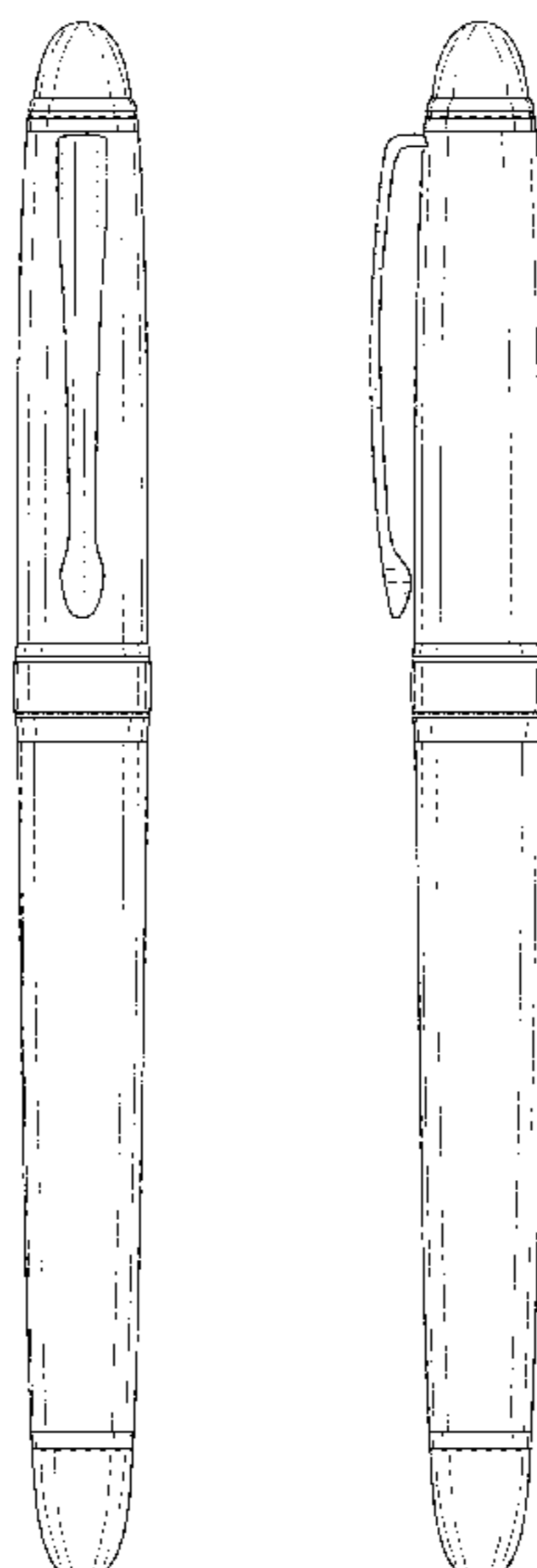
(57) **CLAIM**

The ornamental design for a pen, as shown and described.

DESCRIPTION

FIG. 1 is an upper front left perspective view of a pen showing my new design;
FIG. 2 is a front elevation view thereof;
FIG. 3 is a rear elevation view thereof;
FIG. 4 is a right side elevation view thereof, with the left side elevation view being a mirror image of the right side elevation view;
FIG. 5 is a top plan view thereof;
FIG. 6 is a bottom plan view thereof;
FIG. 7 is an enlarged top plan view thereof; and,
FIG. 8 is an enlarged bottom plan view thereof.

1 Claim, 3 Drawing Sheets



US D699,293 S

Page 2

(56)

References Cited

U.S. PATENT DOCUMENTS

D449,650 S * 10/2001 Verhaeghe D19/43
D463,492 S * 9/2002 Kramer et al. D19/51
D480,421 S 10/2003 Hui
D562,382 S * 2/2008 Qiu D19/35
D567,288 S * 4/2008 Keil D19/50
D579,496 S 10/2008 Qiu

D616,025 S 5/2010 Yan
D647,966 S * 11/2011 Koch D19/51

OTHER PUBLICATIONS

Jiang, L., "Pen," U.S. Appl. No. 29/426,527, filed Jul. 6, 2012.
Xie, J., "Pen Cap," U.S. Appl. No. 29/437,410, filed Nov. 15, 2012.

* cited by examiner

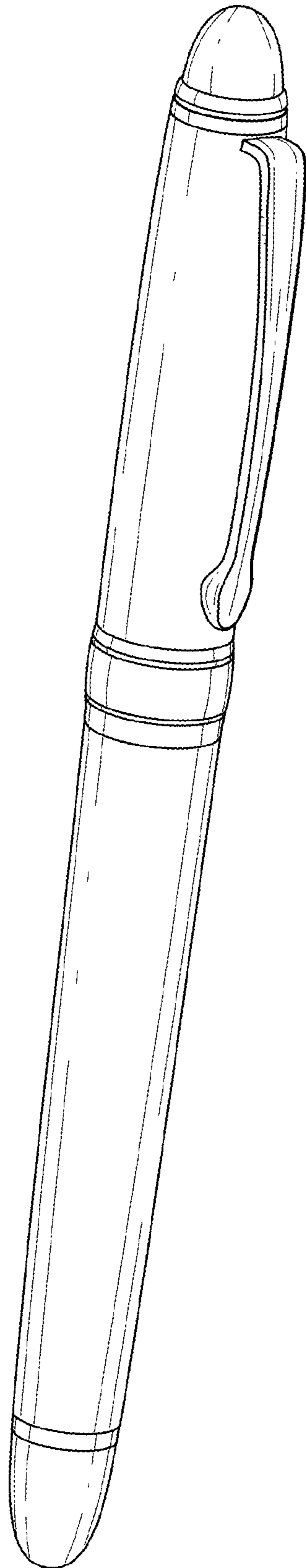


Fig. 1.

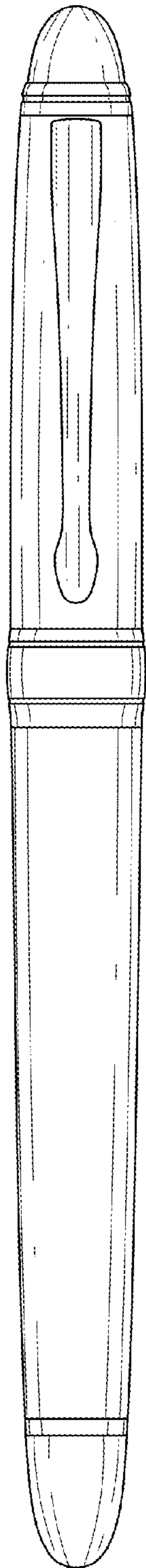


Fig. 2.

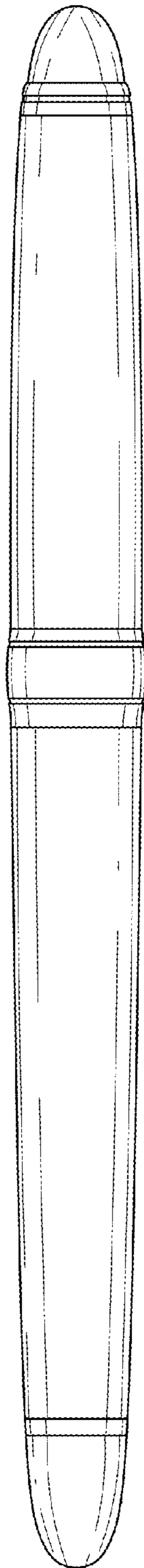


Fig. 3.

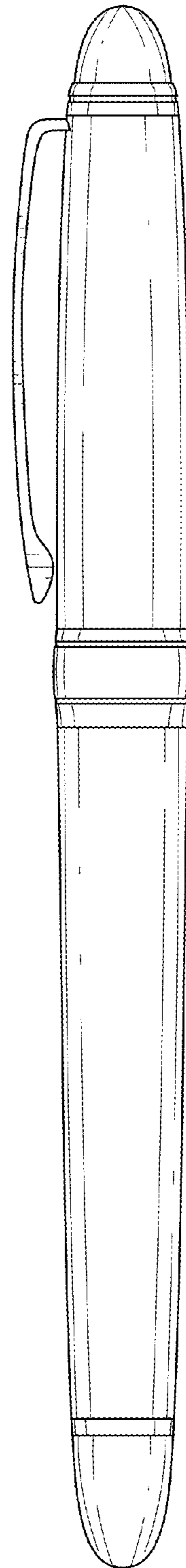


Fig. 4.

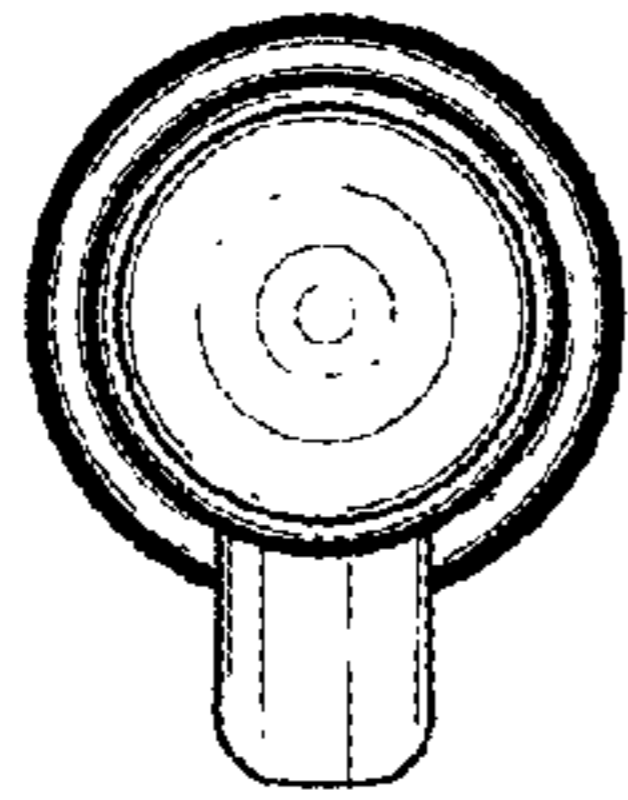


Fig. 5.

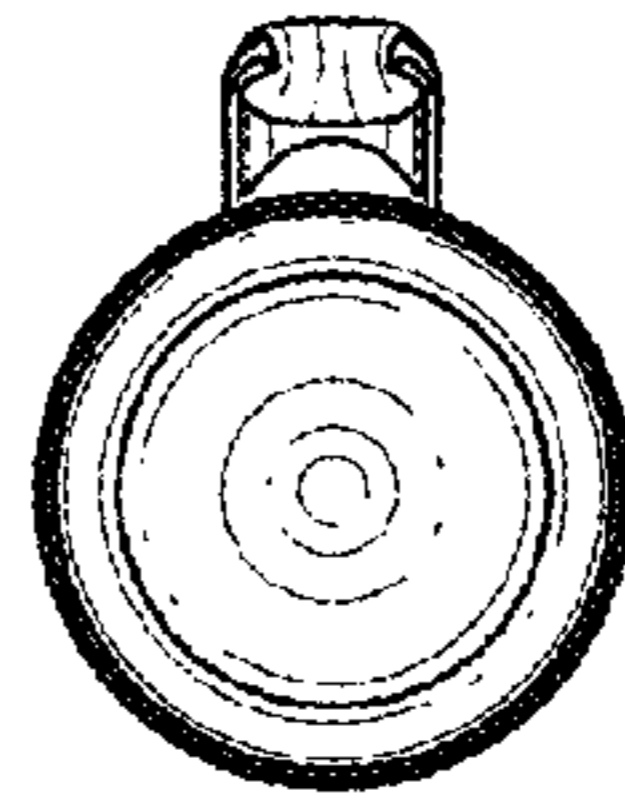


Fig. 6.

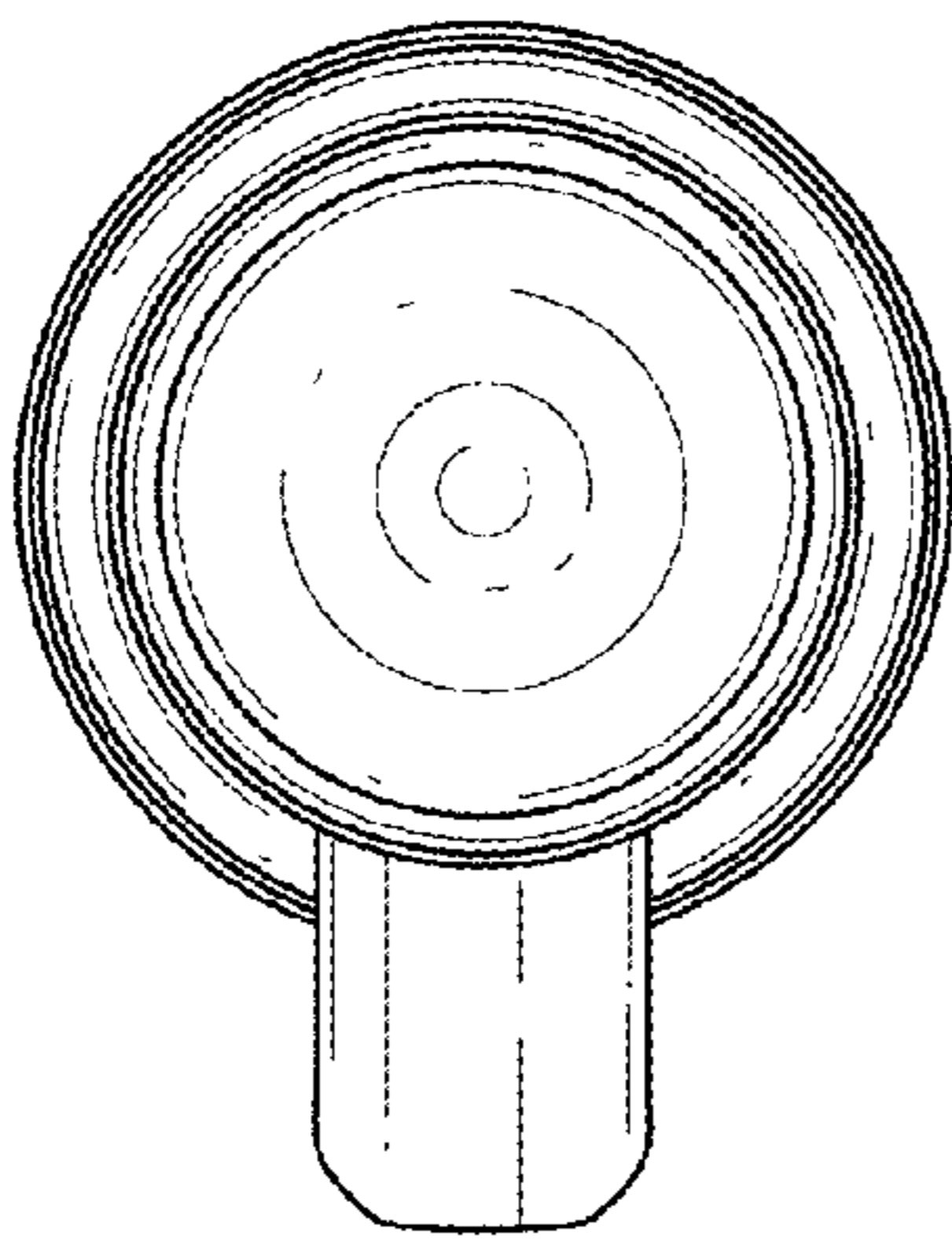


Fig. 7.

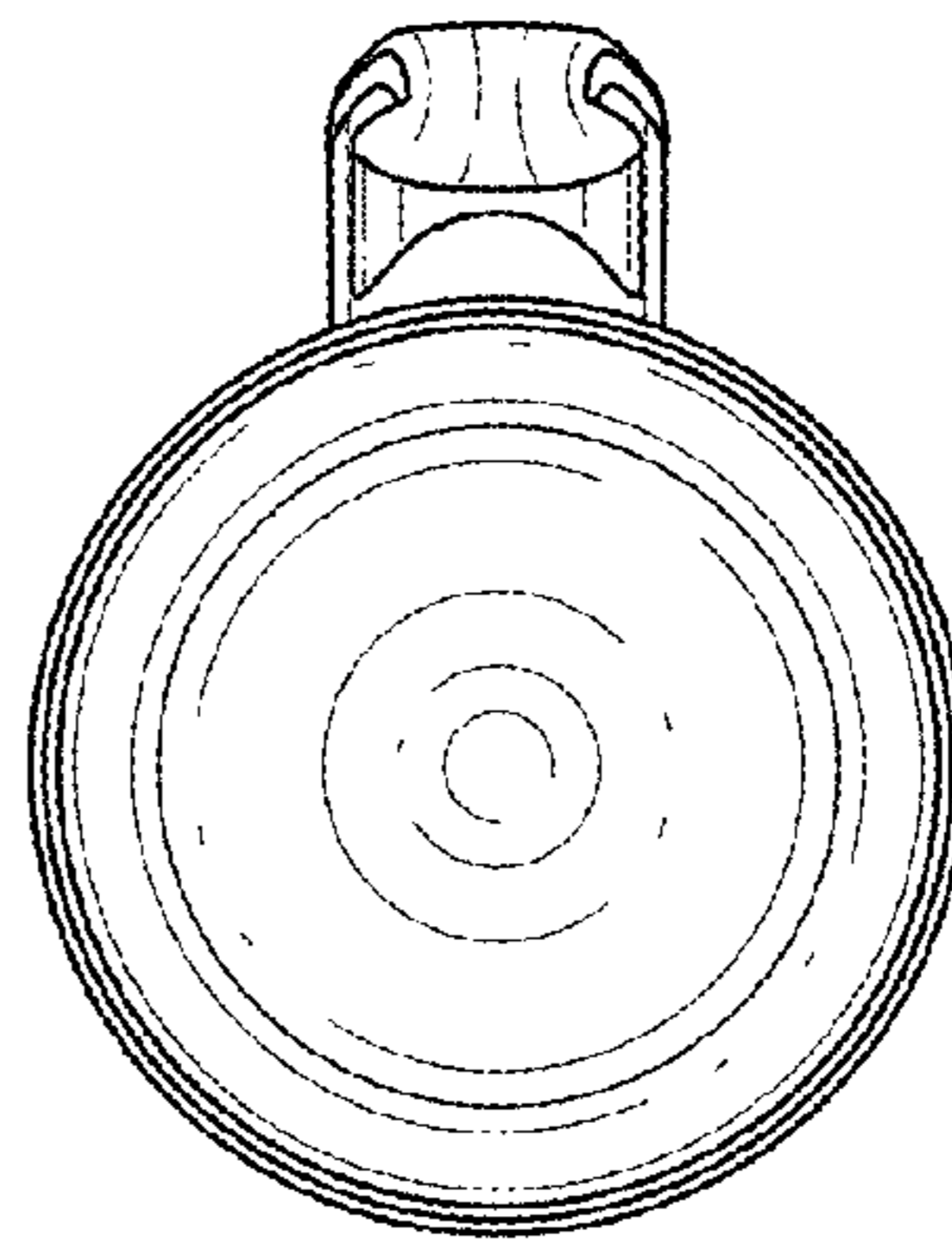


Fig. 8.