

US00D699291S

(12) **United States Design Patent**
Wang

(10) **Patent No.:** **US D699,291 S**

(45) **Date of Patent:** **** Feb. 11, 2014**

- (54) **PEN**
- (71) Applicant: **Beifa Group Co., Ltd.**, Zhejiang (CN)
- (72) Inventor: **Yinpeng Wang**, Ningbo (CN)
- (73) Assignee: **Beifa Group Co., Ltd.**, Ningbo (CN)

- D453,187 S * 1/2002 Keda D19/48
- D457,563 S 5/2002 Moon
- D497,643 S * 10/2004 Nishida D19/51
- D509,536 S * 9/2005 Nishida D19/43
- D525,302 S * 7/2006 Togawa D19/51
- D544,915 S 6/2007 Santa Maria
- D549,778 S * 8/2007 Kent et al. D19/51
- D553,680 S * 10/2007 Kusaba D19/50

(**) Term: **14 Years**

(Continued)

(21) Appl. No.: **29/434,997**

FOREIGN PATENT DOCUMENTS

(22) Filed: **Oct. 18, 2012**

- EM 000559851-0002 10/2006
- EM 000728506-0001 7/2007
- EM 000903844-0001 4/2008

(30) **Foreign Application Priority Data**

OTHER PUBLICATIONS

Apr. 18, 2012 (CN) 2012 3 0116131

Yuan, F., "Writing Instrument," U.S. Appl. No. 29/400,016, filed Aug. 22, 2011.

(51) **LOC (10) Cl.** **19-06**

(52) **U.S. Cl.**
USPC **D19/50**

Primary Examiner — Elizabeth Albert

(58) **Field of Classification Search**
USPC D14/411; D19/35, 36, 41–51, 53–58;
24/11 R, 11 F, 11 P; 401/52, 99–109,
401/192, 195, 196

(74) *Attorney, Agent, or Firm* — Christensen O'Connor Johnson Kindness PLLC

See application file for complete search history.

(57) **CLAIM**

The ornamental design for a pen, as shown and described.

(56) **References Cited**

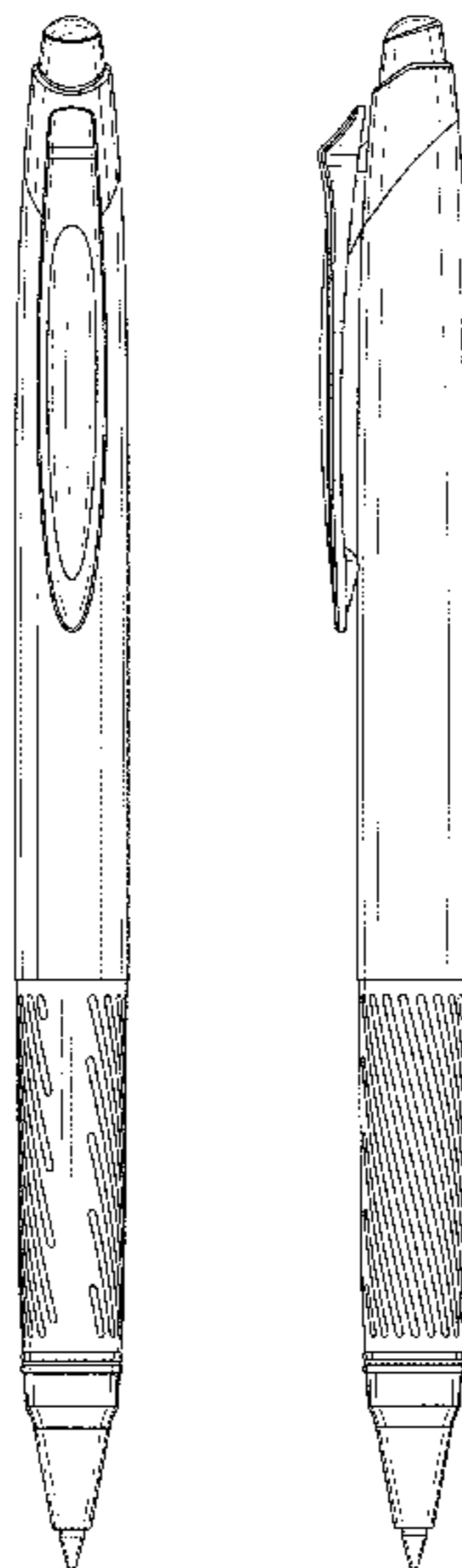
DESCRIPTION

U.S. PATENT DOCUMENTS

- D166,659 S * 5/1952 Colotti D28/90
- D171,093 S * 12/1953 Lovejoy D19/57
- D176,320 S * 12/1955 Guild D28/89
- D176,469 S * 12/1955 Lovejoy D19/56
- D242,792 S 12/1976 Loftus
- D293,494 S * 12/1987 Kemmerer D28/82
- D294,409 S * 2/1988 Kemmerer D28/82
- D378,601 S 3/1997 Sakuno
- D388,825 S 1/1998 Kouda
- D394,455 S 5/1998 Izushima
- D400,580 S 11/1998 Schmidt
- D402,693 S 12/1998 Sunaga
- D408,057 S 4/1999 Izushima
- D410,030 S 5/1999 Sunaga

FIG. 1 is an upper front left perspective view of a pen showing my new design;
 FIG. 2 is a front elevation view thereof;
 FIG. 3 is a rear elevation view thereof;
 FIG. 4 is a right side elevation view thereof, with the left side elevation view being a mirror image of the right side elevation view;
 FIG. 5 is a top plan view thereof;
 FIG. 6 is a bottom plan view thereof;
 FIG. 7 is an enlarged top plan view thereof; and,
 FIG. 8 is an enlarged bottom plan view thereof.

1 Claim, 3 Drawing Sheets



US D699,291 S

Page 2

(56)

References Cited

U.S. PATENT DOCUMENTS

D559,318 S * 1/2008 Qiu et al. D19/51
D565,102 S * 3/2008 Anand D19/50
D588,194 S * 3/2009 Booker D19/50
D589,557 S 3/2009 Kusch
D601,197 S * 9/2009 Zhang D19/48

D620,524 S * 7/2010 Shibata D19/47
D640,319 S * 6/2011 Gerules D19/41
D641,410 S * 7/2011 Tan D19/50
D646,715 S * 10/2011 Kim D19/50
D651,241 S * 12/2011 Liang D19/48
D672,813 S 12/2012 Zhang
2010/0080645 A1 * 4/2010 Wu 401/52

* cited by examiner

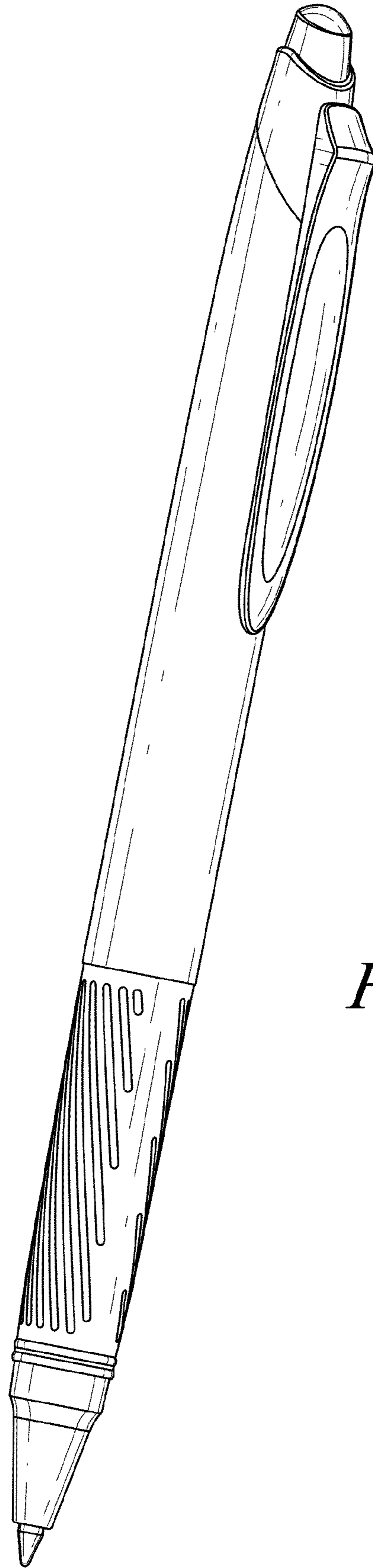


Fig. 1.

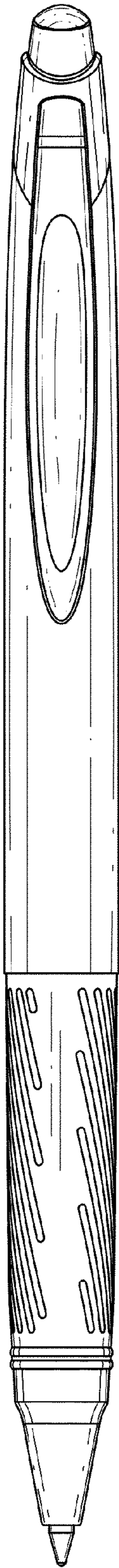


Fig. 2.

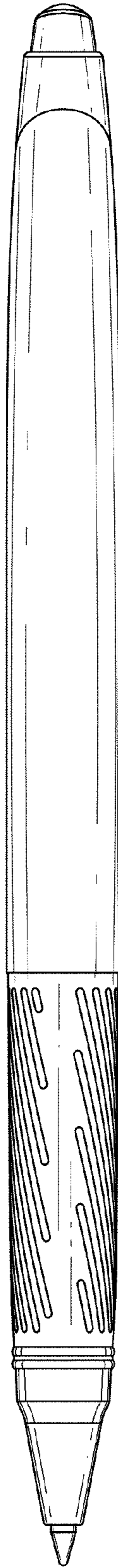


Fig. 3.

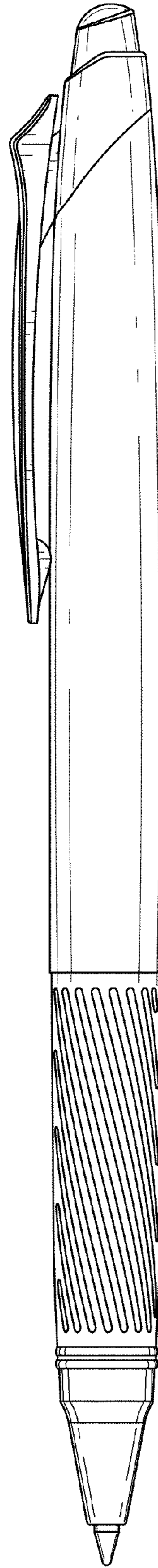


Fig. 4.

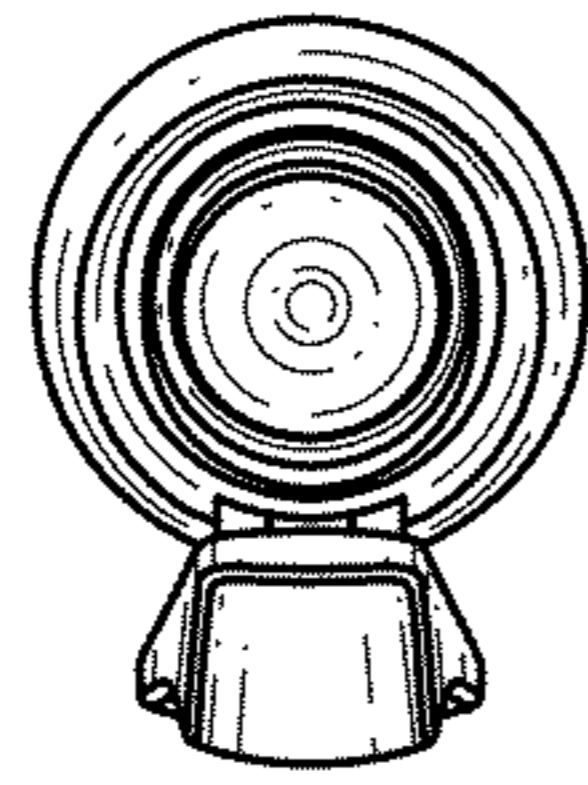


Fig. 5.

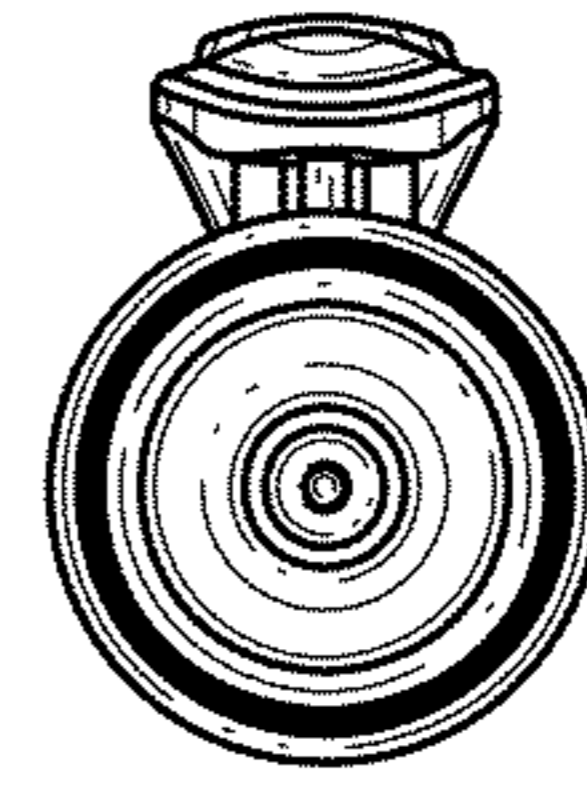


Fig. 6.

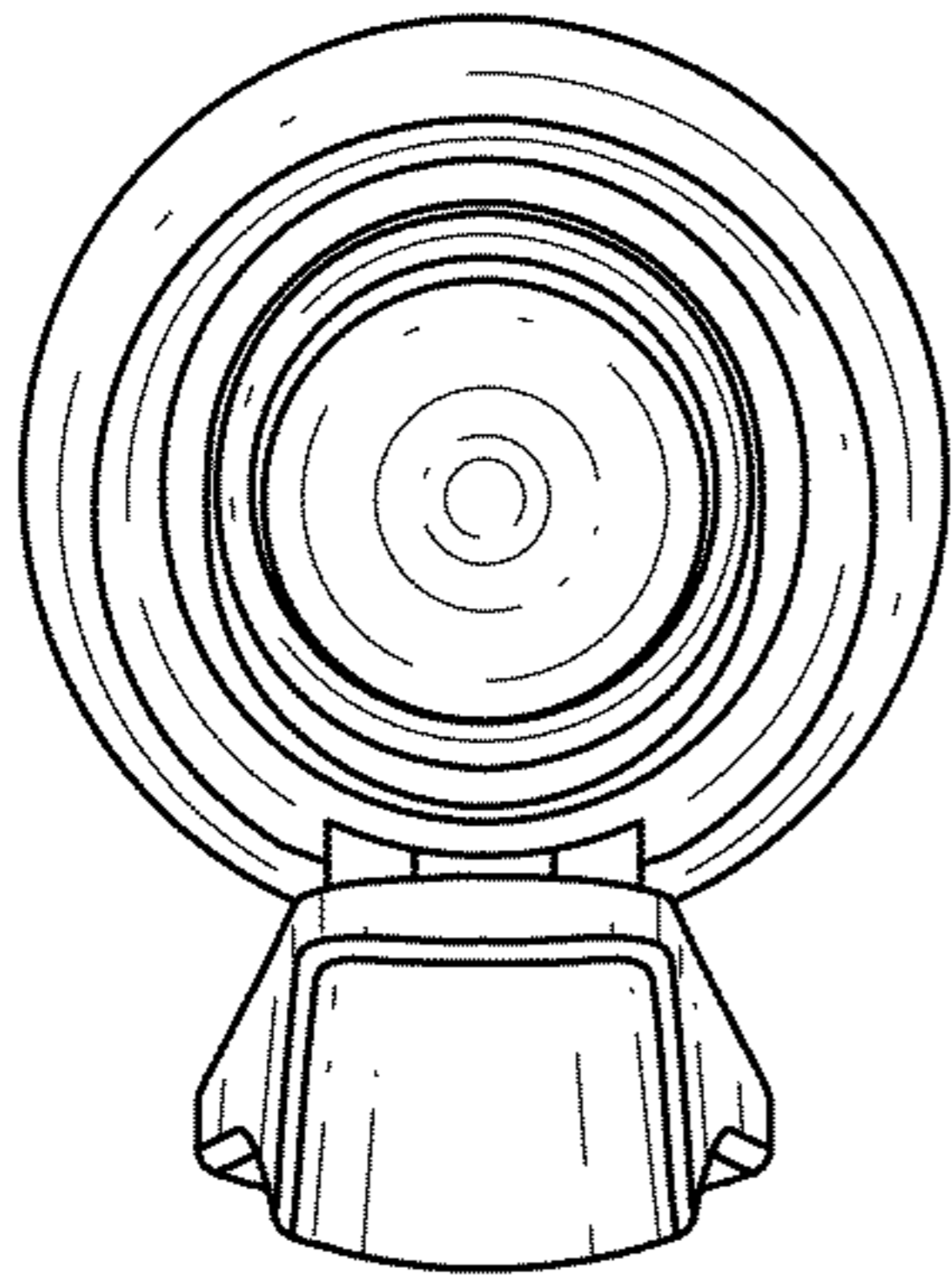


Fig. 7.

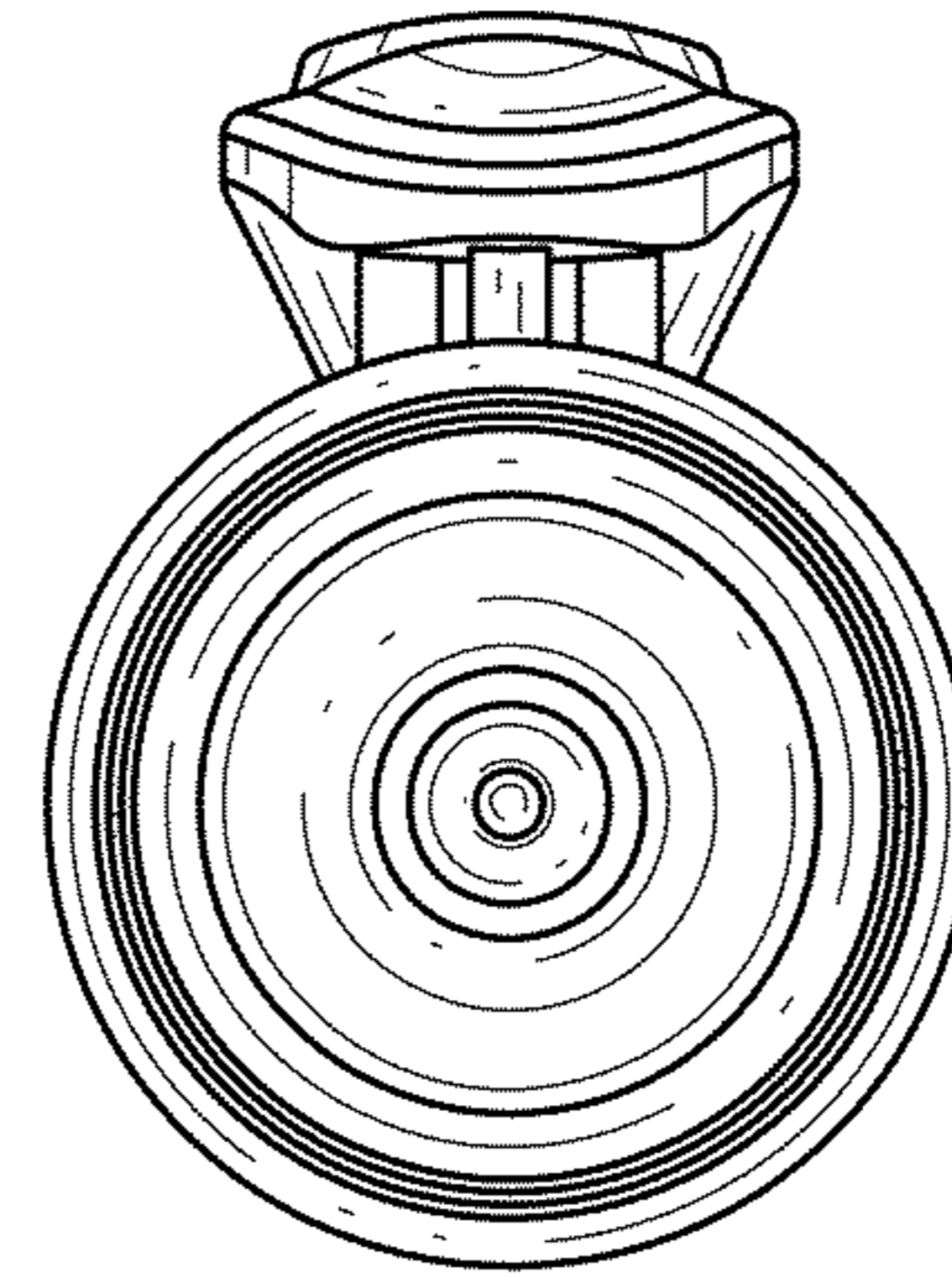


Fig. 8.