



US00D699288S

(12) **United States Design Patent**
Jiang

(10) **Patent No.:** **US D699,288 S**

(45) **Date of Patent:** **** Feb. 11, 2014**

(54) **MARKER**

(71) Applicant: **Beifa Group Co., Ltd.**, Zhejiang (CN)

(72) Inventor: **Linghua Jiang**, Ningbo (CN)

(73) Assignee: **Beifa Group Co., Ltd.**, Ningbo (CN)

(**) Term: **14 Years**

(21) Appl. No.: **29/433,637**

(22) Filed: **Oct. 2, 2012**

(30) **Foreign Application Priority Data**

Apr. 6, 2012 (CN) 2012 3 0097242

(51) **LOC (10) Cl.** **19-06**

(52) **U.S. Cl.**
USPC **D19/41**

(58) **Field of Classification Search**
USPC D14/411; D19/35, 36, 41-51, 53-58;
24/11 F, 11 P, 11 R; 401/52, 99-109,
401/192, 195, 196
See application file for complete search history.

(56) **References Cited**

U.S. PATENT DOCUMENTS

D252,911 S *	9/1979	Levy	D28/76
D260,272 S	8/1981	Horntrich		
D295,537 S *	5/1988	Davidson et al.	D19/43
D301,486 S *	6/1989	Yuen	D19/36
D324,879 S	3/1992	Morgan		
D325,931 S	5/1992	Sekiguchi		
D329,253 S *	9/1992	Sekiguchi	D19/43
D331,070 S	11/1992	Hu Huang		
D340,947 S *	11/1993	Tu	D19/43
D342,021 S *	12/1993	Porta	D9/727
D355,442 S *	2/1995	Chuang	D19/53
D369,184 S	4/1996	Collins		

D394,876 S *	6/1998	Chuang	D19/53
D399,253 S *	10/1998	Raymond	D19/36
5,908,256 A *	6/1999	Bernstein	401/205
6,723,269 B2 *	4/2004	Grosz et al.	264/254
D498,258 S *	11/2004	Song	D19/43
D500,081 S	12/2004	Hung		
D541,340 S	4/2007	Qiu		
D559,311 S	1/2008	Qiu		
D567,852 S	4/2008	Qiu		
D571,556 S *	6/2008	Raile	D3/265

(Continued)

FOREIGN PATENT DOCUMENTS

DM	062862	3/2003
EM	000341144-0001 A1	7/2005

OTHER PUBLICATIONS

Jiang, L., "Marker," U.S. Appl. No. 29/433,658, filed Oct. 2, 2012.

Primary Examiner — Elizabeth Albert

(74) *Attorney, Agent, or Firm* — Christensen O'Connor Johnson Kindness PLLC

(57) **CLAIM**

The ornamental design for a marker, as shown and described.

DESCRIPTION

FIG. 1 is an upper front perspective view of a marker showing my new design;

FIG. 2 is a right side elevation view thereof, with the left side elevation view being a mirror image of the right side elevation view;

FIG. 3 is a rear elevation view thereof, with the front elevation view being a mirror image of the rear elevation view;

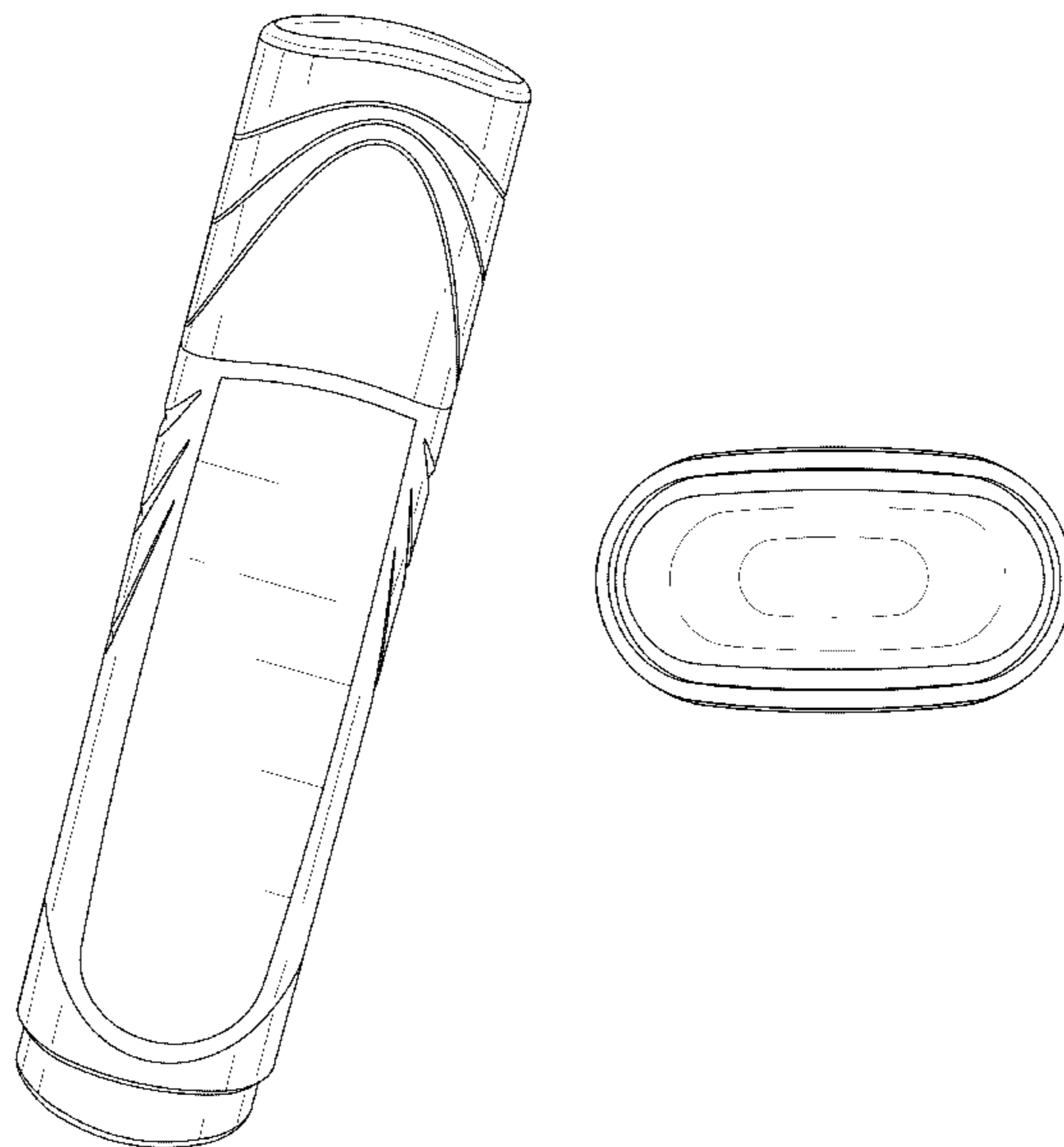
FIG. 4 is a top plan view thereof;

FIG. 5 is a bottom plan view thereof;

FIG. 6 is an enlarged top plan view thereof; and,

FIG. 7 is an enlarged bottom plan view thereof.

1 Claim, 3 Drawing Sheets



(56)

References Cited

U.S. PATENT DOCUMENTS

D572,307 S *	7/2008	Qiu et al.	D19/43	D624,963 S	10/2010	Liu	
D601,193 S *	9/2009	Li	D19/43	D628,631 S	12/2010	Liu	
D607,052 S *	12/2009	Siegel	D19/43	D651,244 S *	12/2011	Yuan	D19/50
D609,273 S	2/2010	Koreska		D651,245 S *	12/2011	Yuan	D19/50
D612,421 S	3/2010	Suero, Jr.		D655,336 S *	3/2012	Chen	D19/41
D616,496 S	5/2010	Liu		D659,756 S	5/2012	Liang	
D623,407 S *	9/2010	Raile	D3/265	D667,873 S *	9/2012	Shi	D19/41
				D667,874 S *	9/2012	Chen	D19/41
				D667,882 S *	9/2012	Uchiyama et al.	D19/50
				D669,123 S	10/2012	Jiang	

* cited by examiner

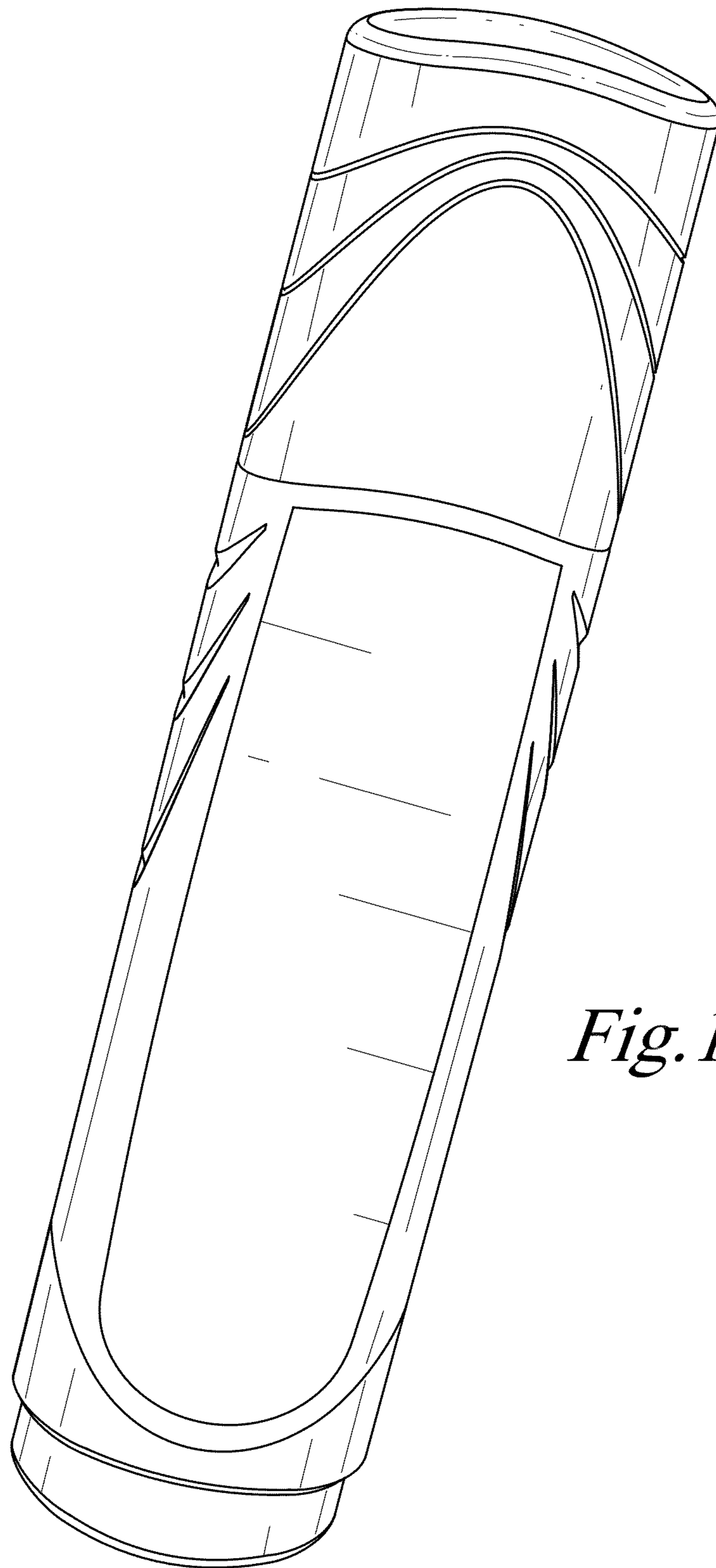


Fig. 1.

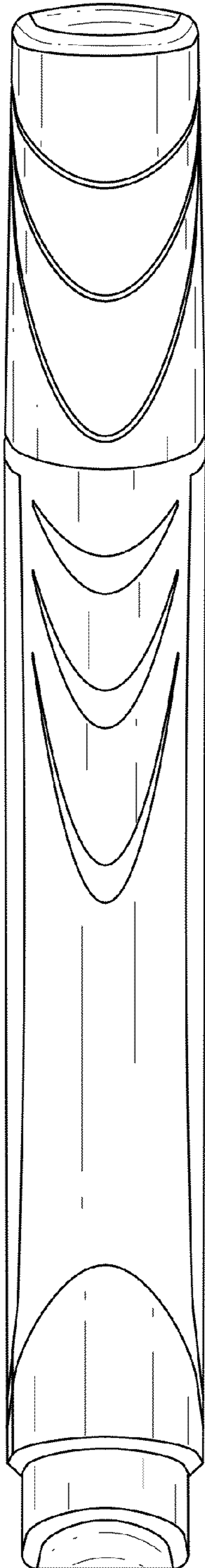


Fig. 2.

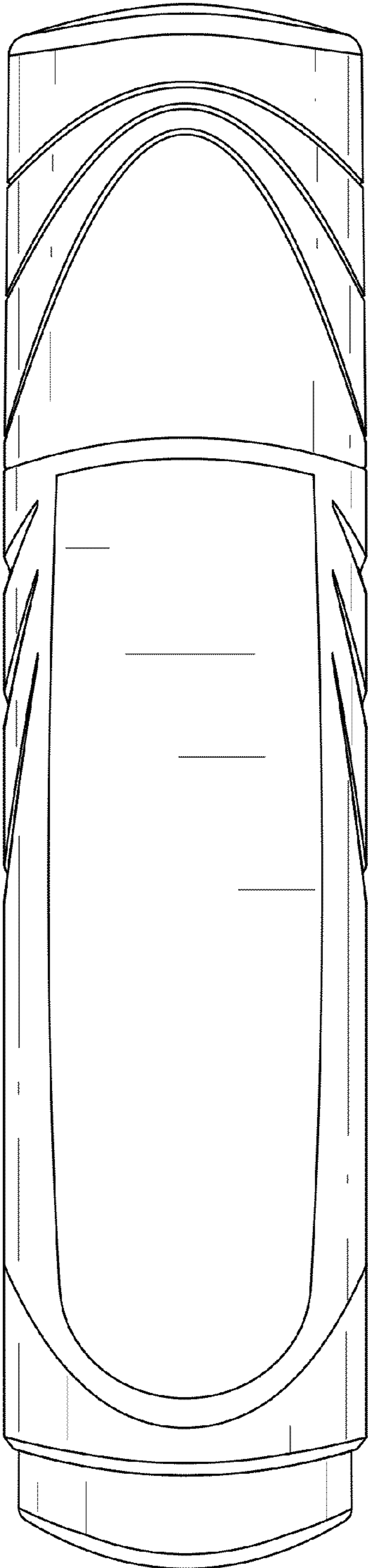


Fig. 3.

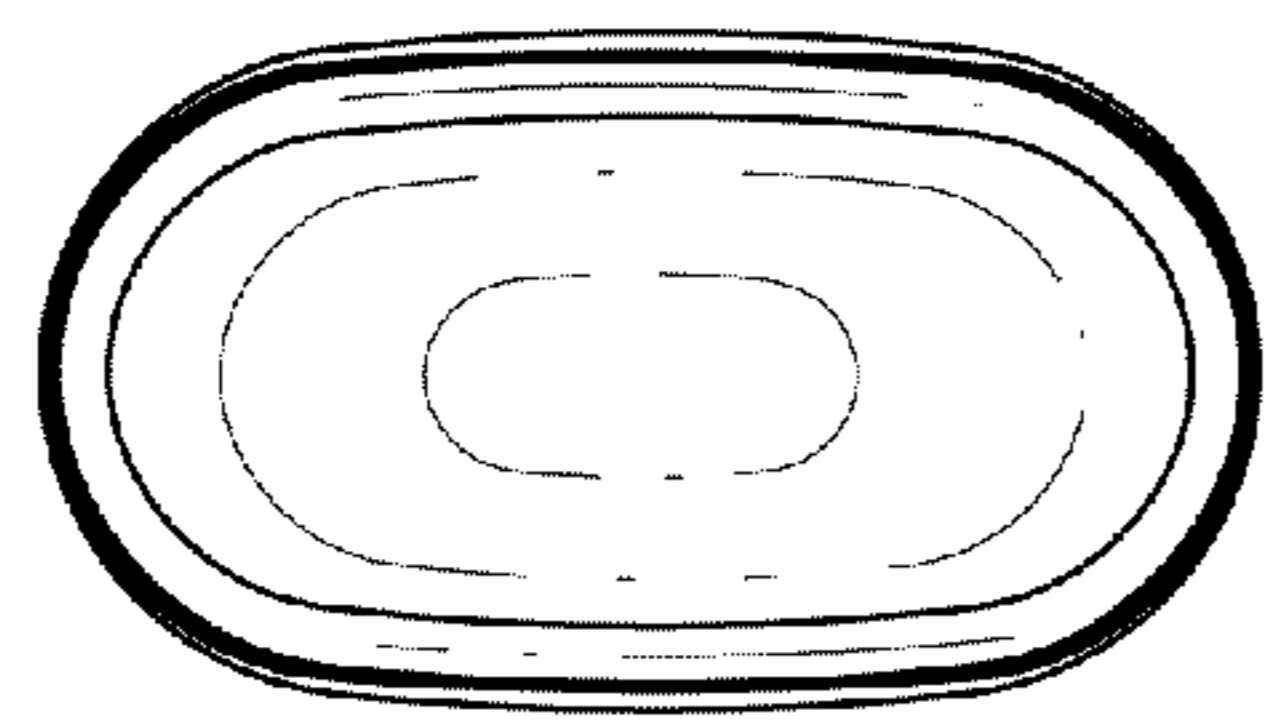


Fig. 4.

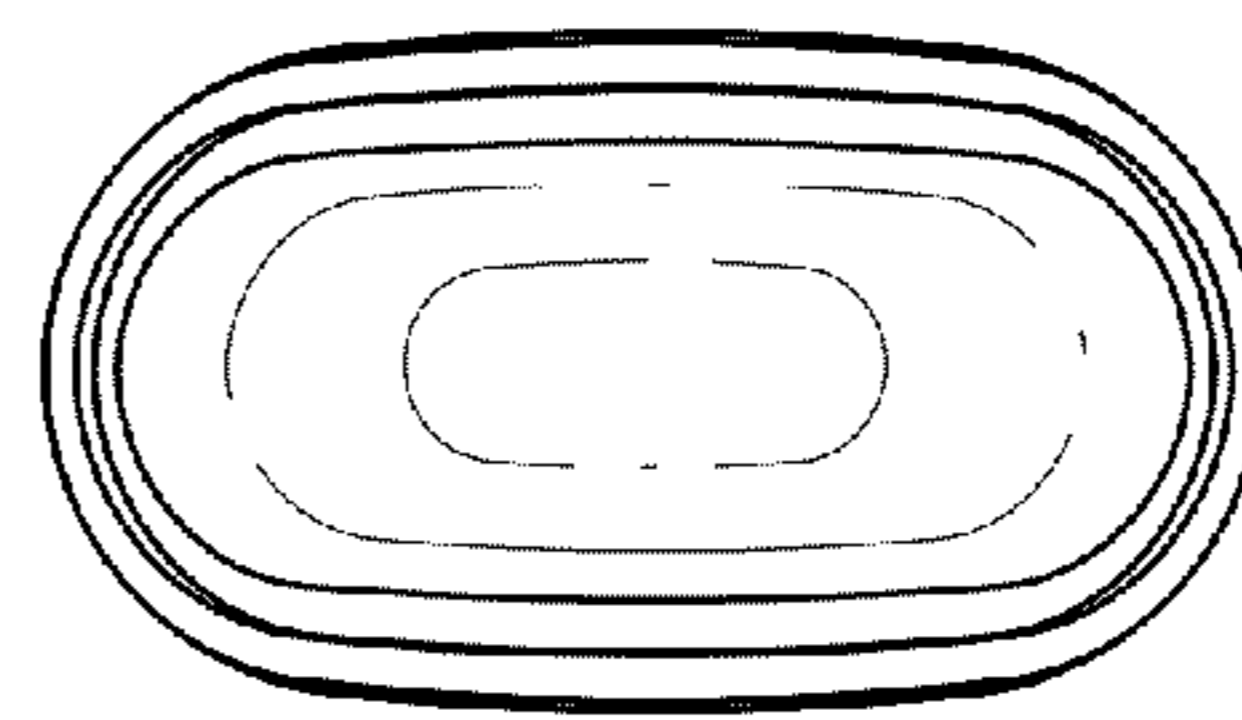


Fig. 5.

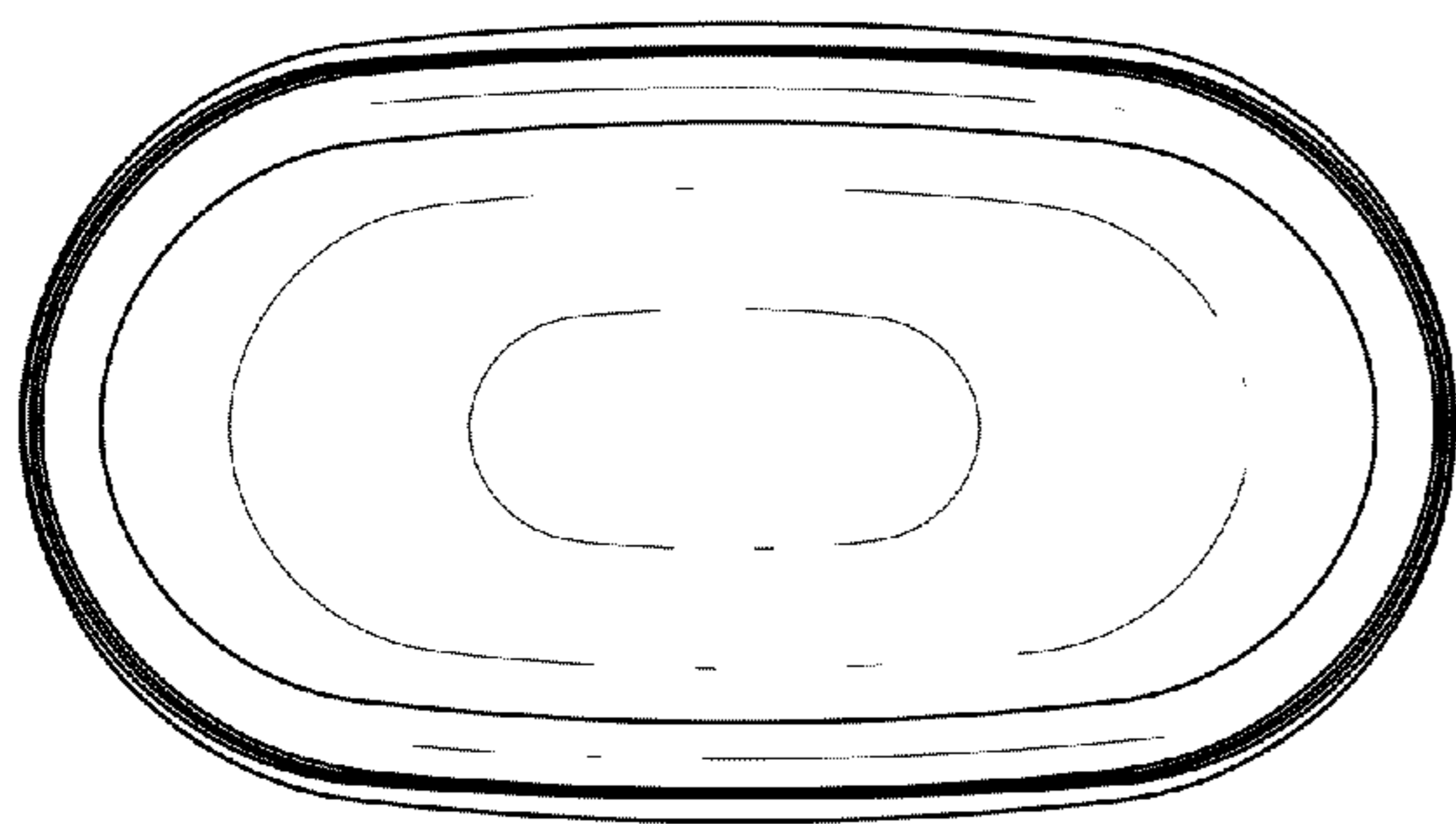


Fig. 6.

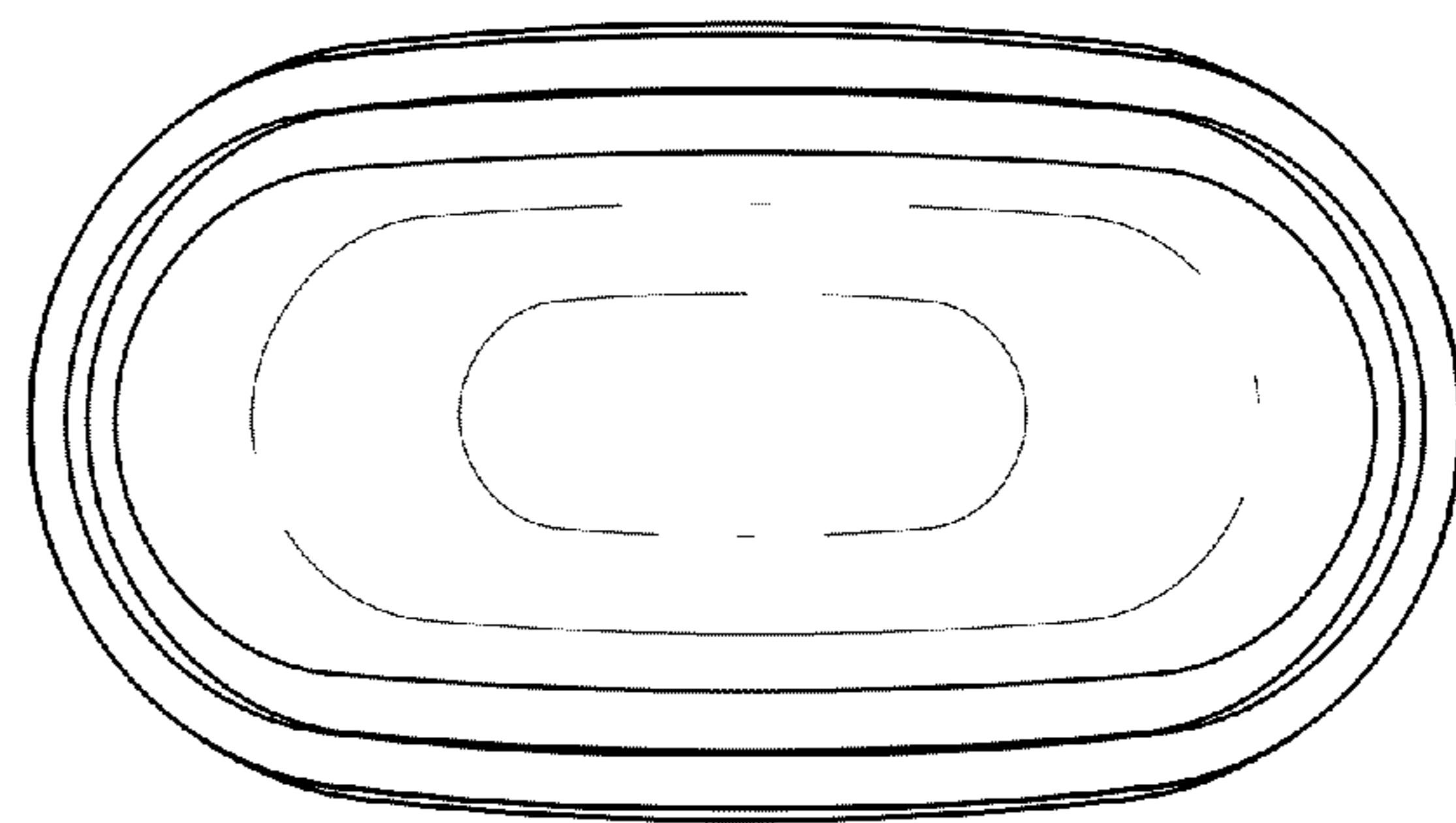


Fig. 7.

UNITED STATES PATENT AND TRADEMARK OFFICE
CERTIFICATE OF CORRECTION

PATENT NO. : D699,288 S
APPLICATION NO. : 29/433637
DATED : February 11, 2014
INVENTOR(S) : Jiang

Page 1 of 1

It is certified that error appears in the above-identified patent and that said Letters Patent is hereby corrected as shown below:


On the title page item (71)
Pg. 1, col. 1

Delete "Zhejiang"
Insert --Ningbo--

On the title page item (57)
Pg. 1, col. 2

Delete "being a minor image"
Insert --being a mirror image--

Signed and Sealed this
Fifth Day of May, 2015



Michelle K. Lee
Director of the United States Patent and Trademark Office