



US00D699284S

(12) **United States Design Patent**  
**Nanjo et al.**

(10) **Patent No.:** **US D699,284 S**  
(45) **Date of Patent:** **\*\* Feb. 11, 2014**

(54) **INK TANK FOR PRINTER**

(75) Inventors: **Tatsuo Nanjo**, Kawasaki (JP); **Yasuo Kotaki**, Yokohama (JP); **Kenta Udagawa**, Tokyo (JP); **Wataru Takahashi**, Yokohama (JP); **Kazuya Yoshii**, Yokohama (JP); **Masao Kato**, Kawasaki (JP); **Minako Kato**, Kawasaki (JP); **Eiichiro Shimizu**, Fukushima (JP)

(73) Assignee: **Canon Kabushiki Kaisha**, Tokyo (JP)

(\*\*) Term: **14 Years**

(21) Appl. No.: **29/431,662**

(22) Filed: **Sep. 10, 2012**

(30) **Foreign Application Priority Data**

Apr. 18, 2012 (JP) ..... 2012-009080

(51) **LOC (10) Cl.** ..... **18-02**

(52) **U.S. Cl.**  
USPC ..... **D18/56**

(58) **Field of Classification Search**  
USPC ..... D18/36-38, 50, 54-54.1, 55;  
D14/420-425, 462-470; 400/613,  
400/613.1-613.4, 690.1-690.4, 691-694  
See application file for complete search history.

(56) **References Cited**

**U.S. PATENT DOCUMENTS**

D536,374 S \* 2/2007 Shinada et al. .... D18/56  
D540,377 S 4/2007 Hatasa et al.  
7,334,887 B2 \* 2/2008 Andersen et al. .... 347/86

D563,463 S \* 3/2008 Ishizawa et al. .... D18/56  
D563,465 S \* 3/2008 Ishizawa et al. .... D18/56  
7,347,541 B2 \* 3/2008 Ogawa et al. .... 347/86  
D580,107 S \* 11/2008 Ishizawa et al. .... D18/56  
D611,531 S 3/2010 Hatasa et al.  
D611,532 S 3/2010 Nanjo et al.  
D624,960 S 10/2010 Inoue et al.  
D626,173 S 10/2010 Inoue et al.  
D627,818 S \* 11/2010 Ishizawa et al. .... D18/56  
7,992,984 B2 \* 8/2011 Toba et al. .... 347/86  
8,061,826 B2 \* 11/2011 Lewis et al. .... 347/86  
8,075,114 B2 \* 12/2011 Watanabe et al. .... 347/86  
D656,183 S 3/2012 Nanjo et al.

\* cited by examiner

*Primary Examiner* — Cathy A MacCormac

(74) *Attorney, Agent, or Firm* — Fitzpatrick, Cella, Harper & Scinto

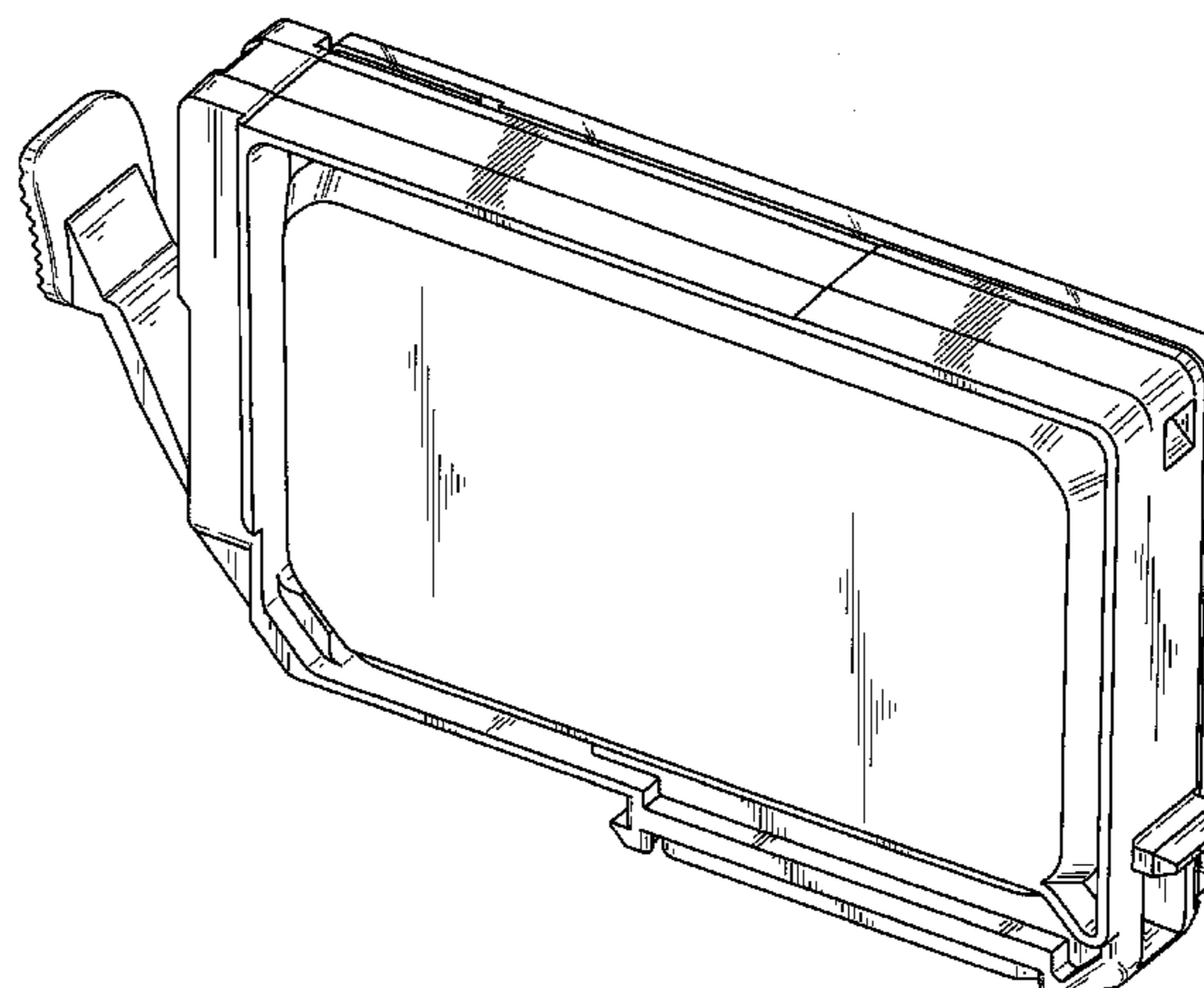
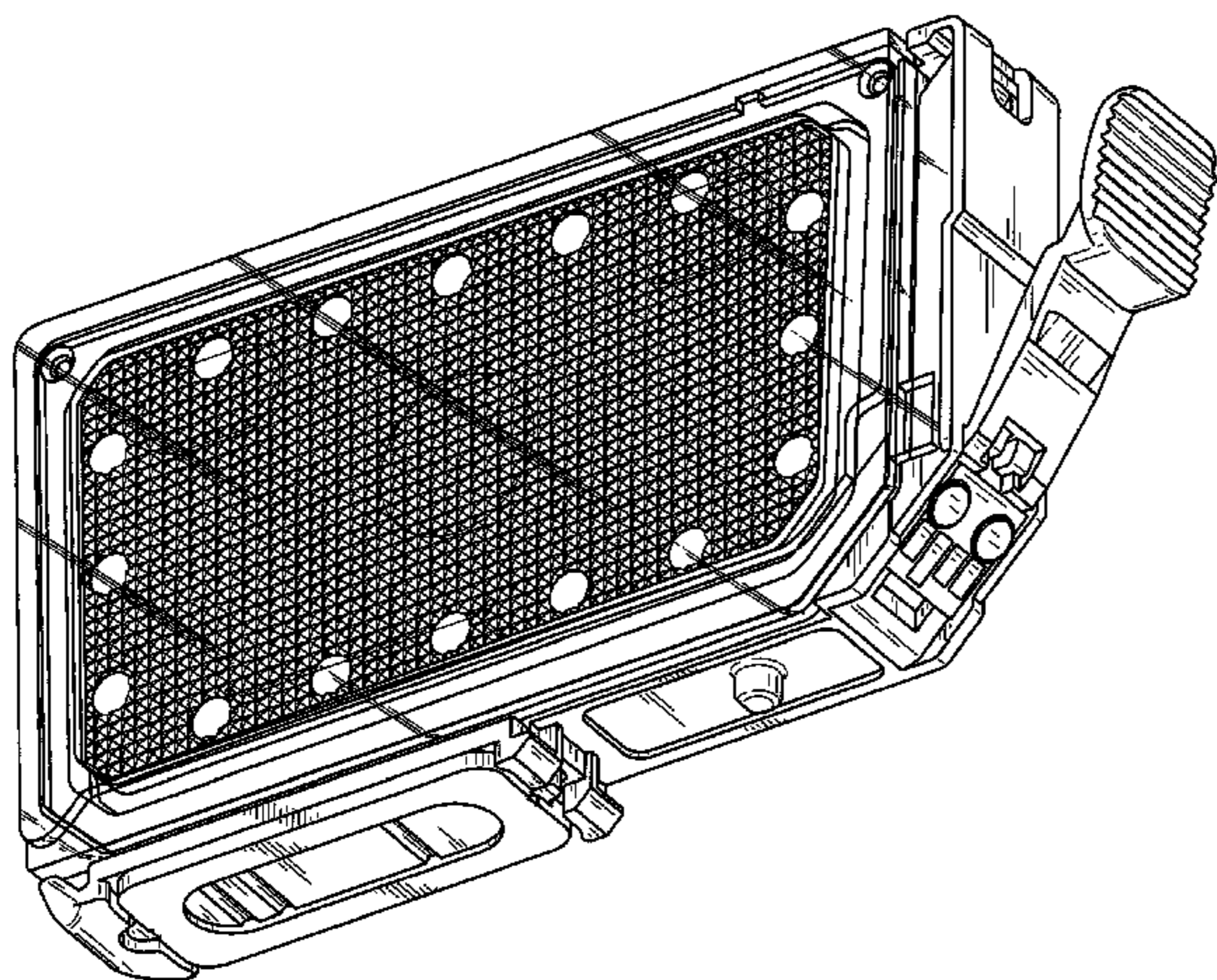
(57) **CLAIM**

The ornamental design for an ink tank for printer, as shown and described.

**DESCRIPTION**

FIG. 1 is a front view of an ink tank for printer showing our new design;  
FIG. 2 is a rear view thereof;  
FIG. 3 is a top plan view thereof;  
FIG. 4 is a bottom plan view thereof;  
FIG. 5 is a left side view thereof;  
FIG. 6 is a right side view thereof;  
FIG. 7 is a front and bottom perspective view thereof; and,  
FIG. 8 is a rear and top perspective view thereof.  
The broken lines shown in the drawings are for illustration only and form no part of the claimed design.

**1 Claim, 6 Drawing Sheets**



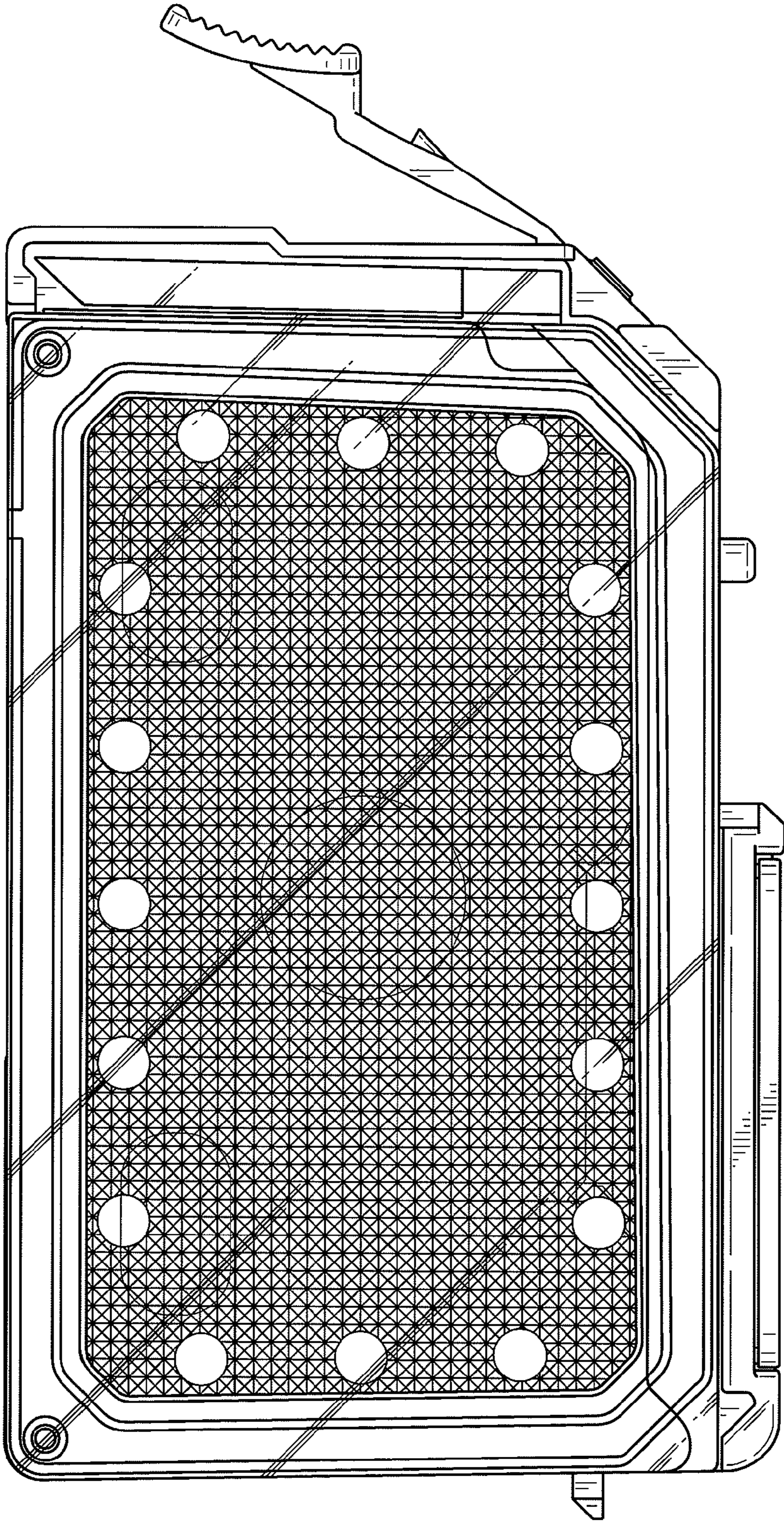


FIG. 1

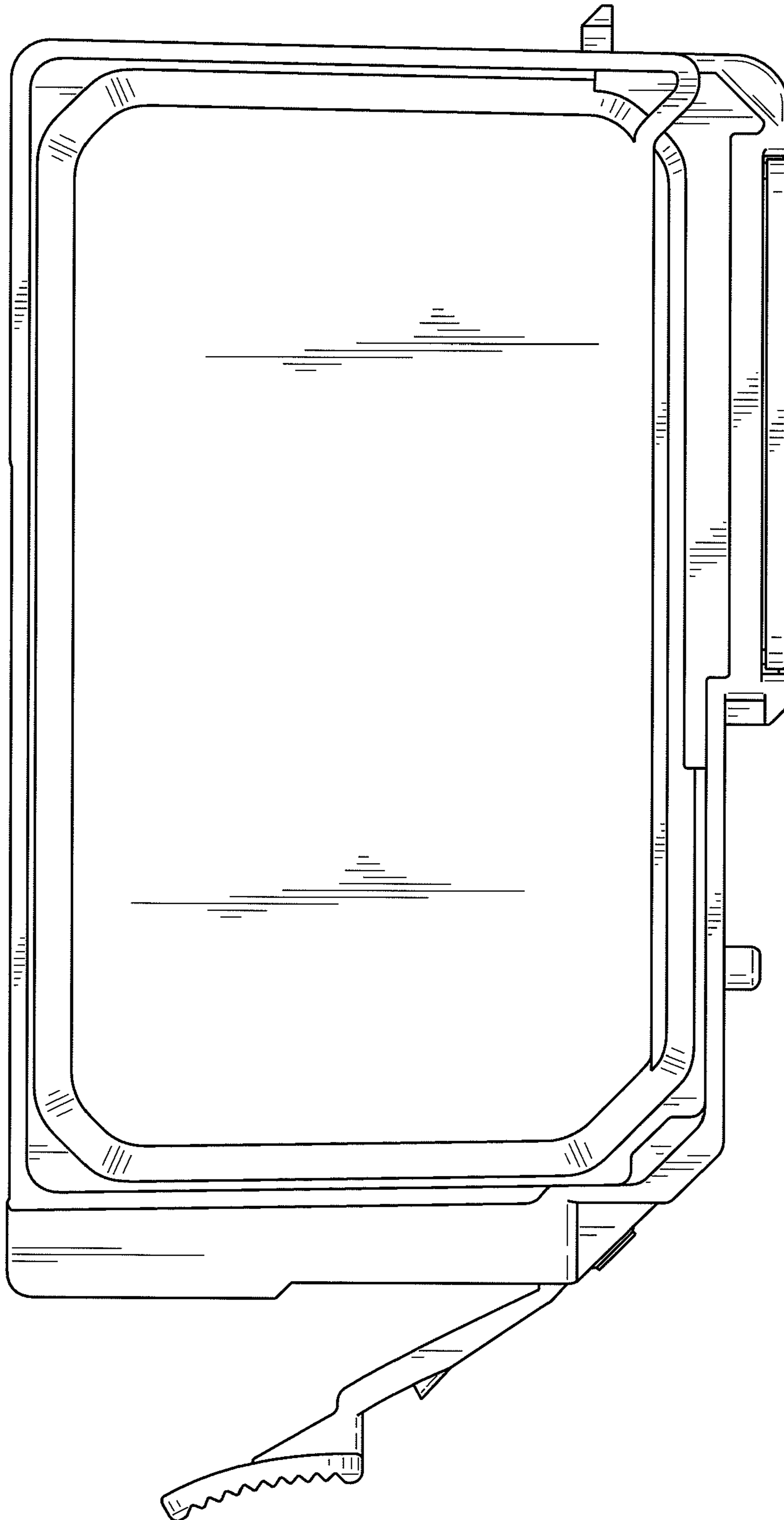


FIG. 2

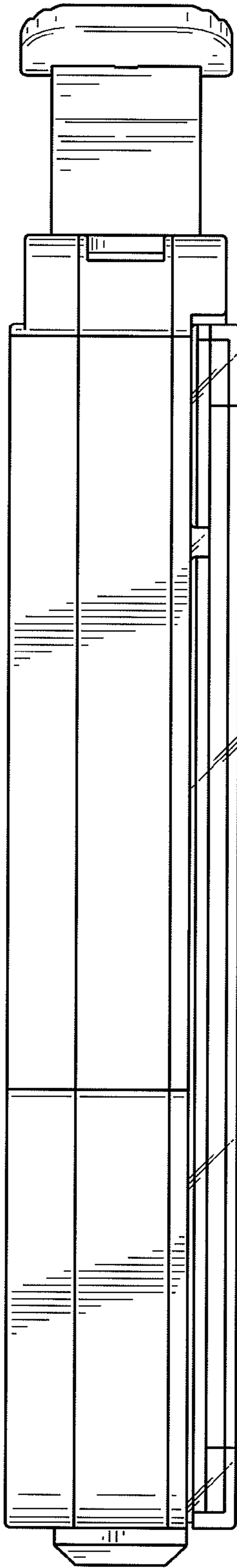


FIG. 3

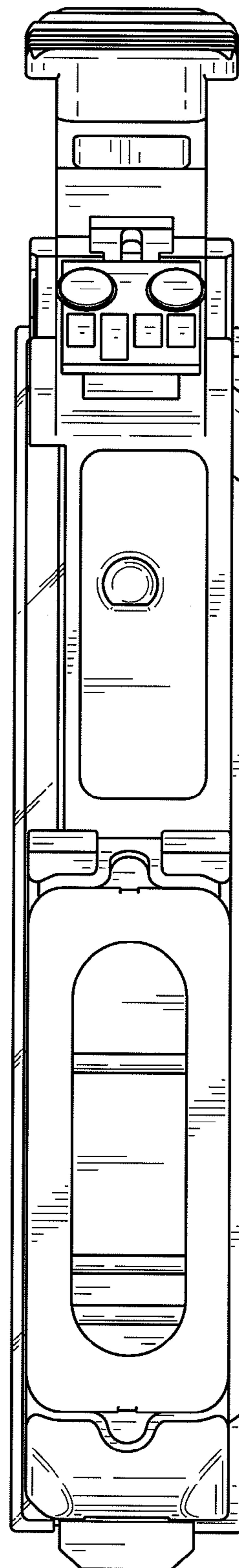


FIG. 4

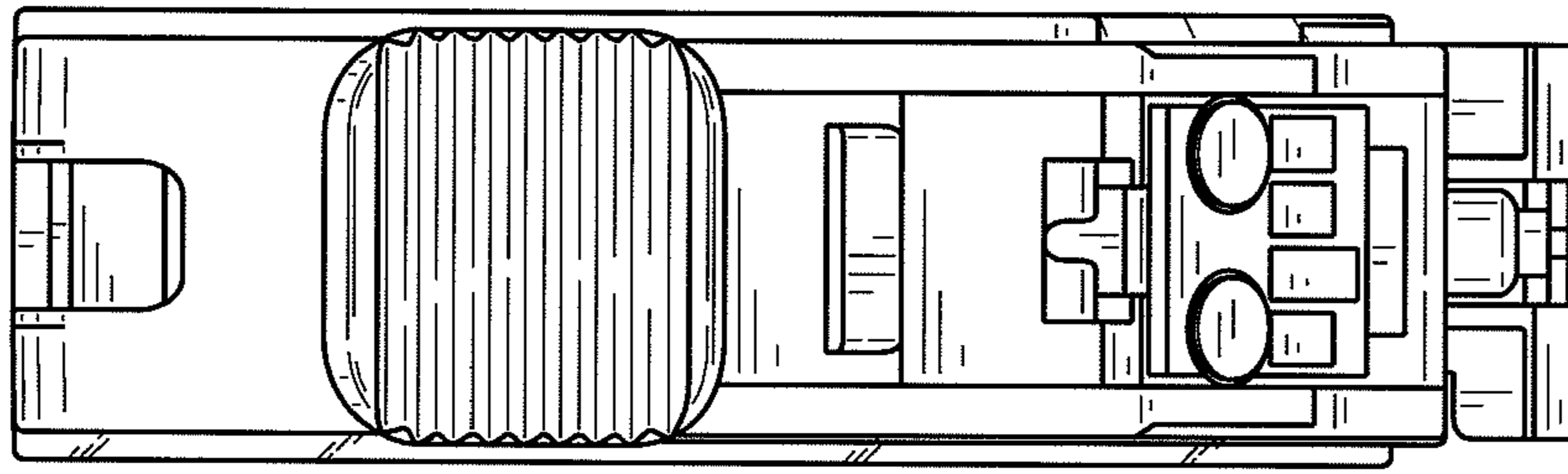


FIG. 5

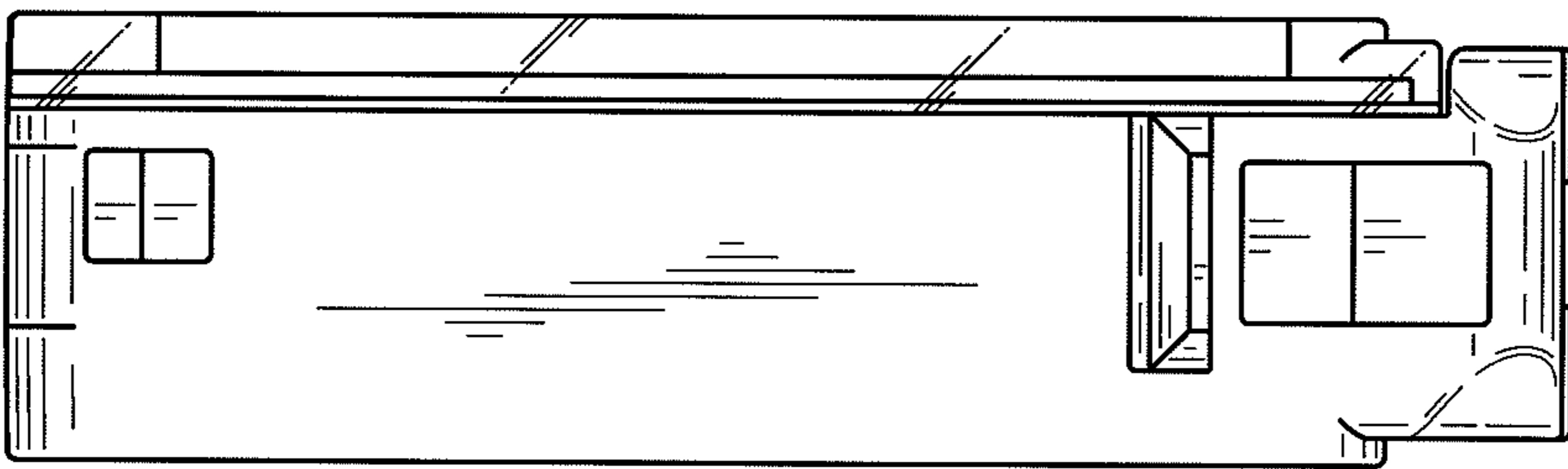


FIG. 6

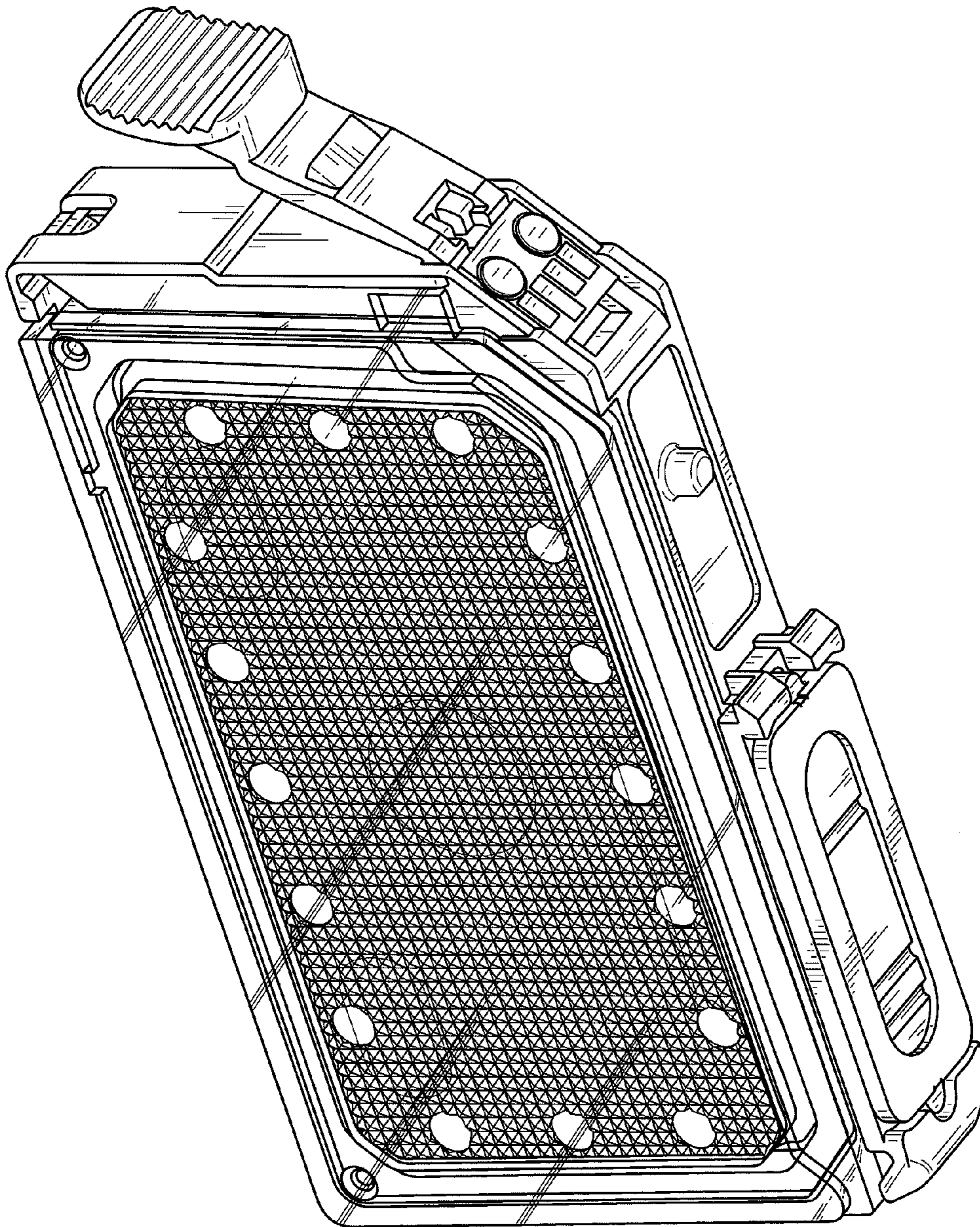


FIG. 7

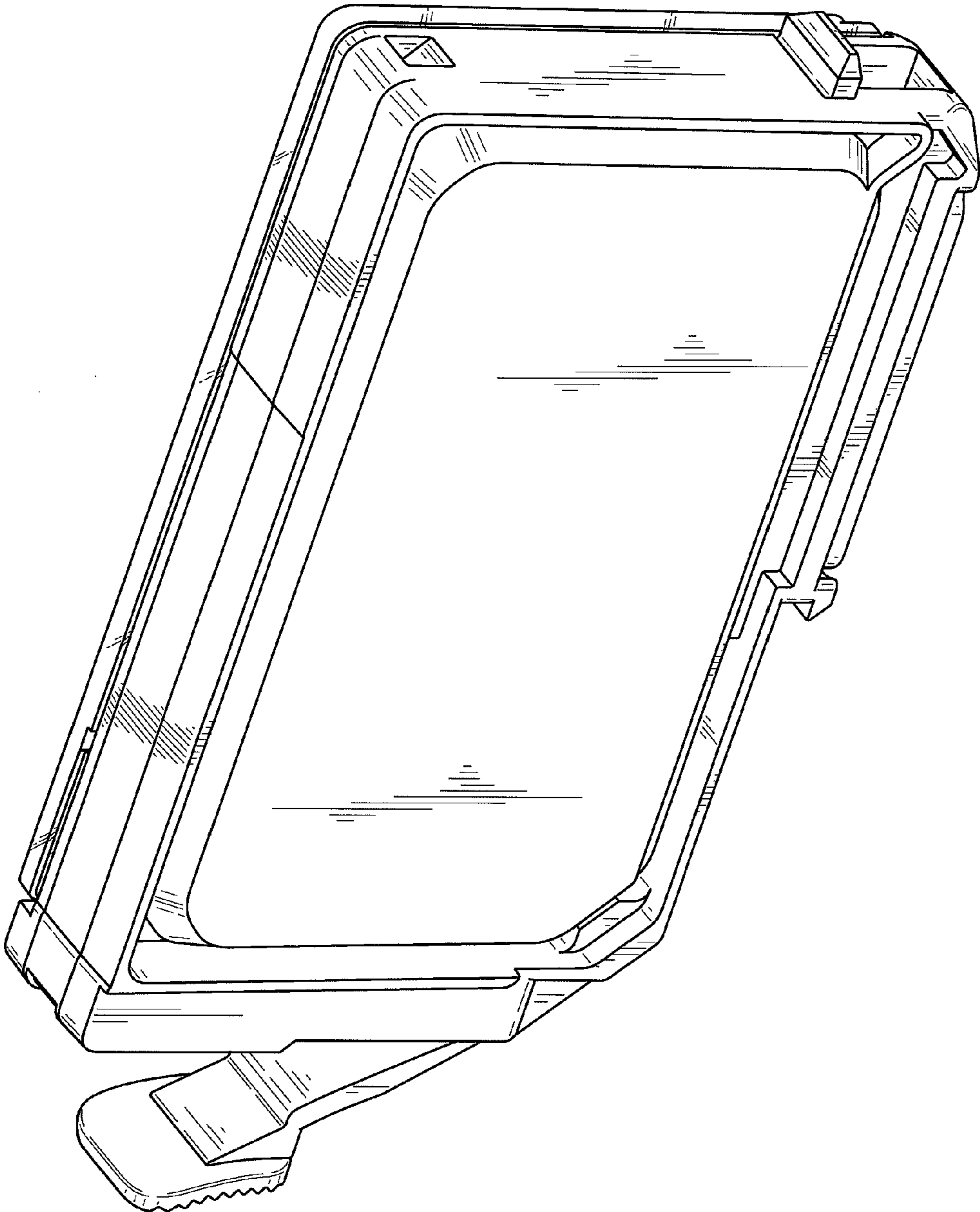


FIG. 8