

US00D699283S

(12) **United States Design Patent**  
**Herre et al.**

(10) **Patent No.:** **US D699,283 S**  
(45) **Date of Patent:** **\*\* Feb. 11, 2014**

(54) **LINEAR COLOR CHANGER COMPONENT**

(56) **References Cited**

(75) Inventors: **Frank Herre**, Oberriexingen (DE);  
**Manfred Michelfelder**, Steinheim (DE);  
**Markus Erhardt**, Stuttgart (DE);  
**Michael Baumann**, Flein (DE); **Rainer**  
**Melcher**, Oberstenfeld (DE); **Thomas**  
**Buck**, Sachsenheim (DE)

U.S. PATENT DOCUMENTS

4,887,770	A *	12/1989	Wacker et al.	239/703
6,352,589	B1 *	3/2002	Furuoya	118/300
6,439,485	B1 *	8/2002	Borner	239/706
6,672,521	B2 *	1/2004	Reichler	239/703
6,896,735	B2 *	5/2005	Giuliano et al.	118/629
7,070,130	B1 *	7/2006	Minko	239/690.1
D536,063	S *	1/2007	Childs et al.	D23/225
D588,231	S *	3/2009	Pellin et al.	D23/223

(73) Assignee: **Durr Systems GmbH**,  
Bietigheim-Bissingen (DE)

(Continued)

(\*\*) Term: **14 Years**

*Primary Examiner* — T. Chase Nelson

(21) Appl. No.: **29/414,968**

*Assistant Examiner* — Michelle E Wilson

(22) Filed: **Mar. 6, 2012**

(74) *Attorney, Agent, or Firm* — Bejin VanOphem &  
Bieneman PLC

**Related U.S. Application Data**

(62) Division of application No. 29/343,366, filed on Sep.  
11, 2009, now Pat. No. Des. 656,538.

(57) **CLAIM**

The ornamental design for a linear color changer component,  
as shown and described.

(30) **Foreign Application Priority Data**

Mar. 13, 2009	(WO)	001119358-0001
Mar. 13, 2009	(WO)	001119358-0002
Mar. 13, 2009	(WO)	001119358-0003
Mar. 13, 2009	(WO)	001119358-0004
Mar. 13, 2009	(WO)	001119358-0005
Mar. 13, 2009	(WO)	001119358-0006
Mar. 13, 2009	(WO)	001119358-0007
Mar. 13, 2009	(WO)	001119358-0008

**DESCRIPTION**

FIG. 1 is a side perspective view of a linear color changer component showing our new design;  
FIG. 2 is a top view of a linear color changer component thereof;  
FIG. 3 is a rear view of a linear color changer component thereof;  
FIG. 4 is a side view of a linear color changer component thereof;  
FIG. 5 is a bottom view of a linear color changer component thereof; and,  
FIG. 6 is a side view of a linear color changer component thereof.

(51) **LOC (10) Cl.** ..... **18-02**

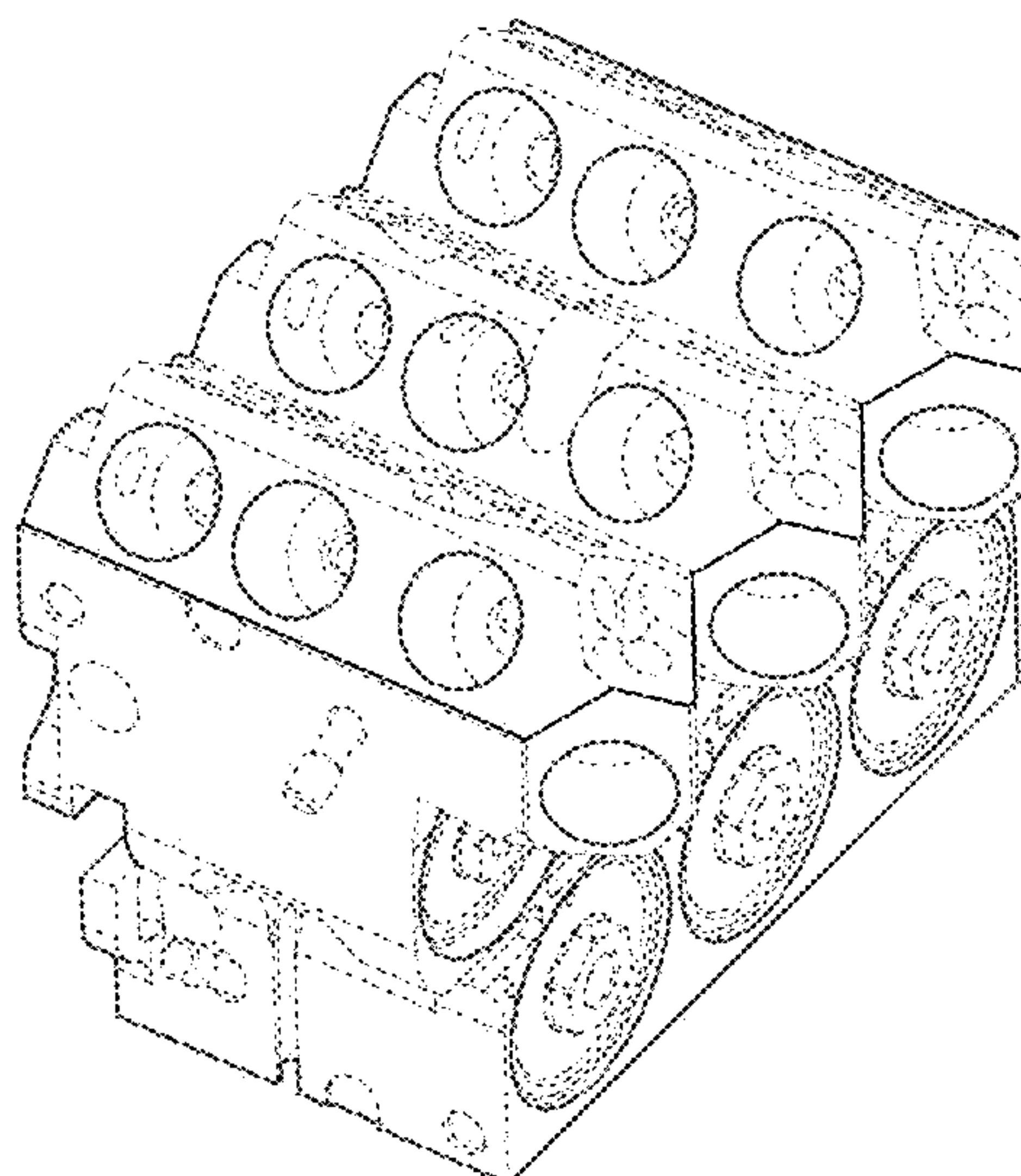
(52) **U.S. Cl.**  
USPC ..... **D18/56**

(58) **Field of Classification Search**  
USPC ..... D23/213, 223, 225, 226, 526, 600, 459,  
D23/690; 239/310, 373, 337, 332-333,  
239/152-154; D8/2, 14.1; 361/227, 228;  
D18/56

The broken lines in the FIGS. are directed to environment and form no part of the claimed design.  
The claim is directed to only the solid lines edges and none of the surfaces bounded by solid, or broken, lines form a part of the claimed design.

See application file for complete search history.

**1 Claim, 4 Drawing Sheets**



# US D699,283 S

Page 2

---

(56)

## References Cited

### U.S. PATENT DOCUMENTS

D638,518 S *	5/2011	Herre et al.	.....	D23/213
2002/0096582 A1 *	7/2002	Edelhauser	.....	239/700
2003/0001031 A1 *	1/2003	Heldt et al.	.....	239/700
D607,969 S *	1/2010	Ariaz	.....	D23/213

\* cited by examiner

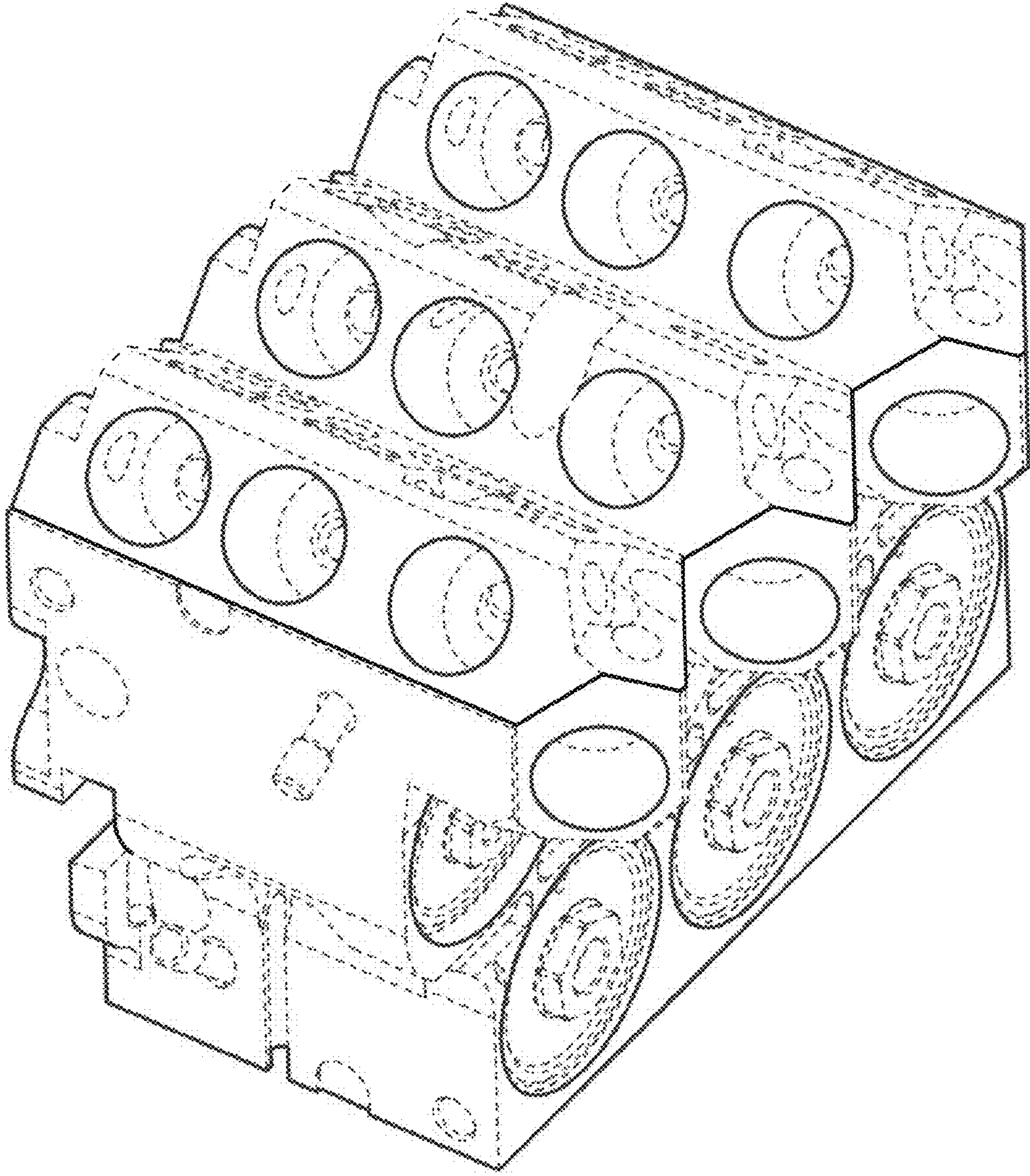


FIG. 1



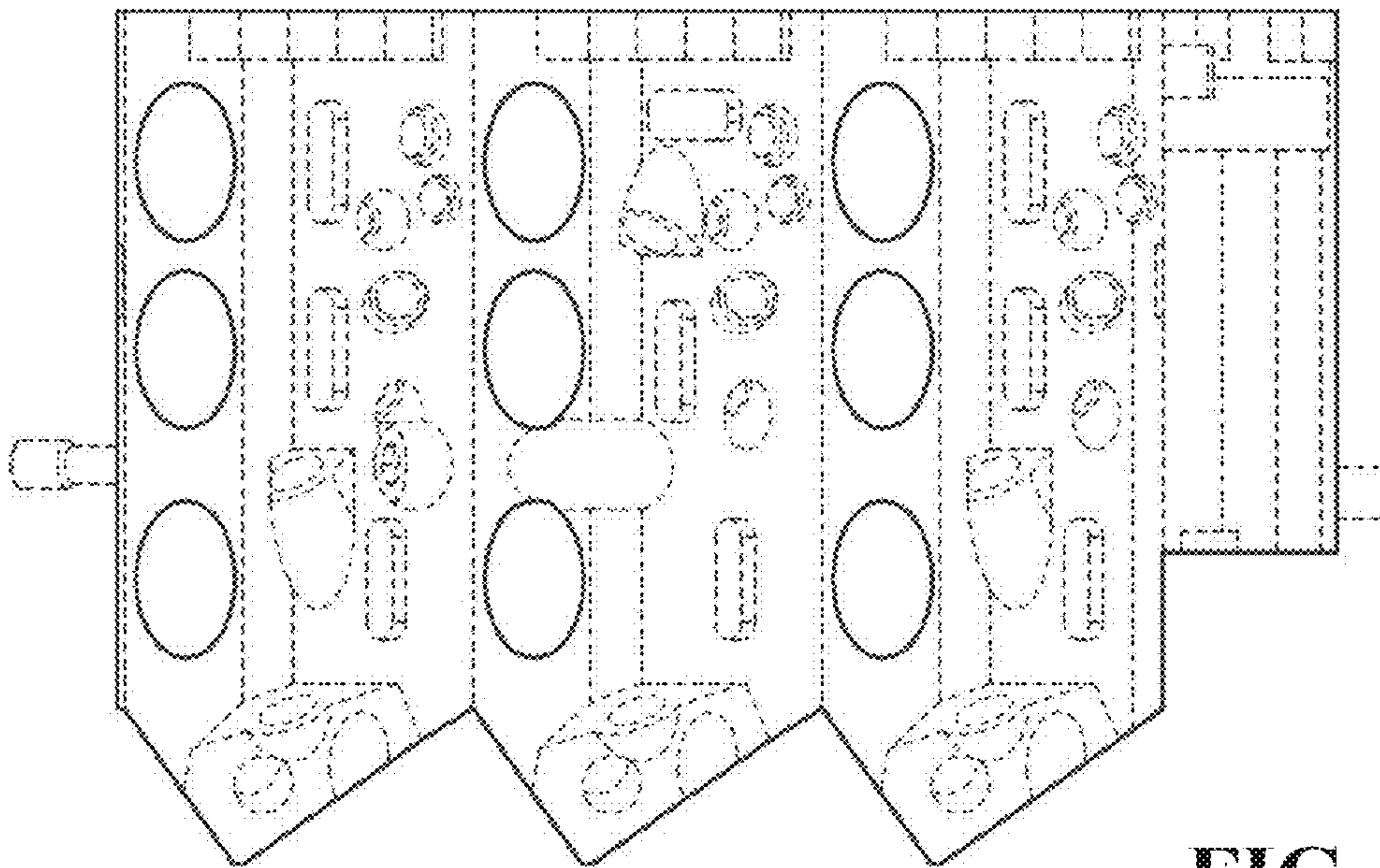
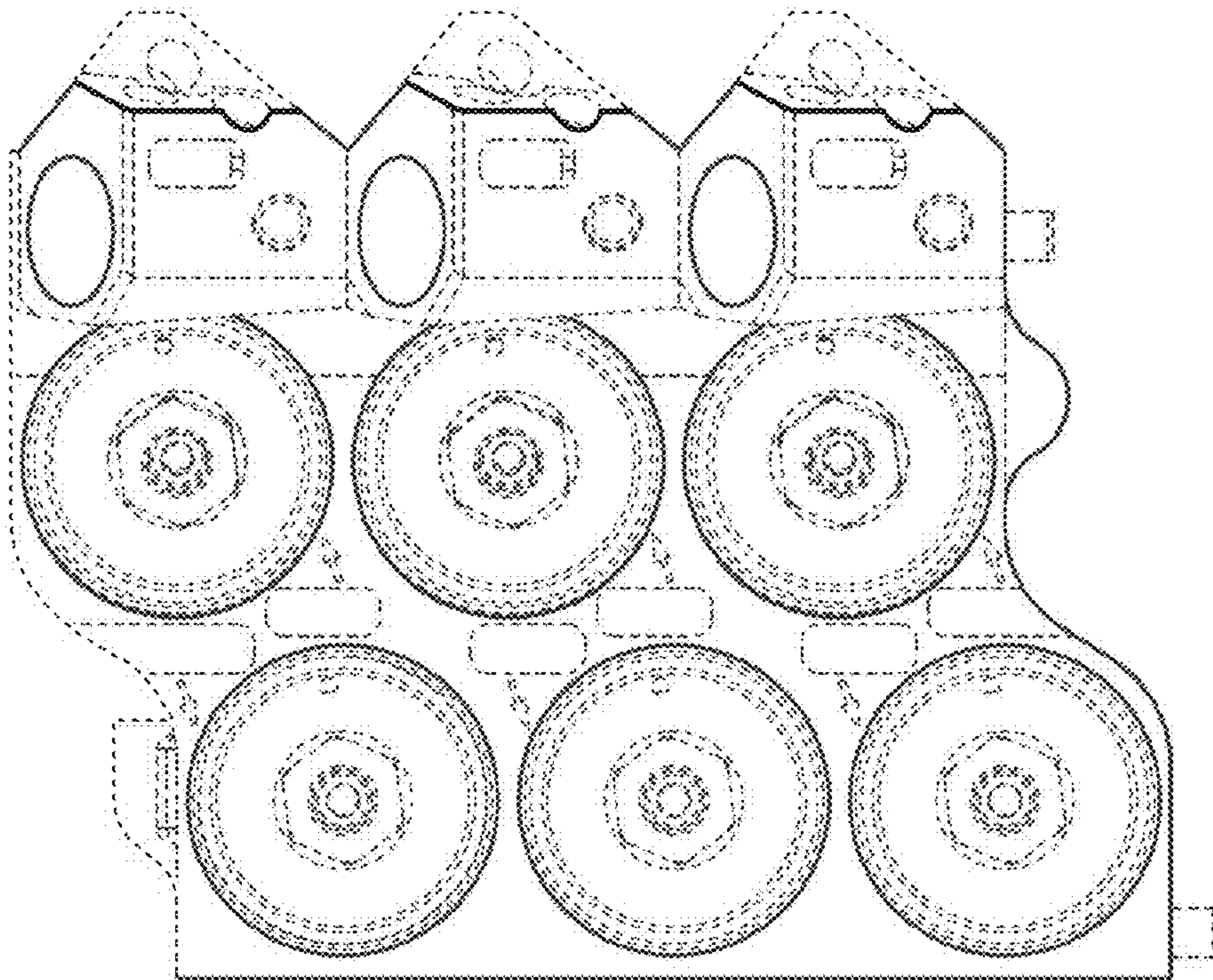


FIG. 2

FIG. 4



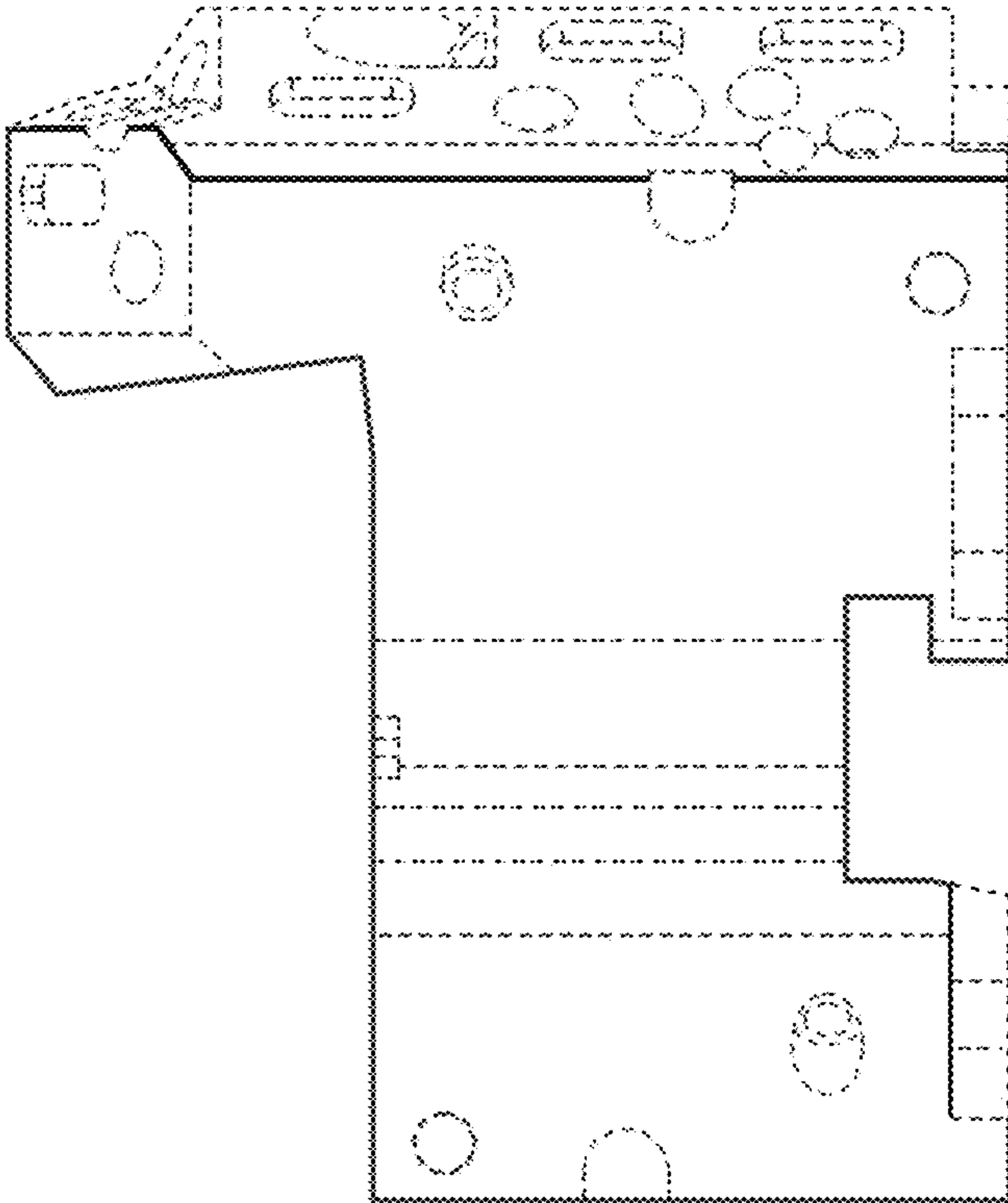


FIG. 3

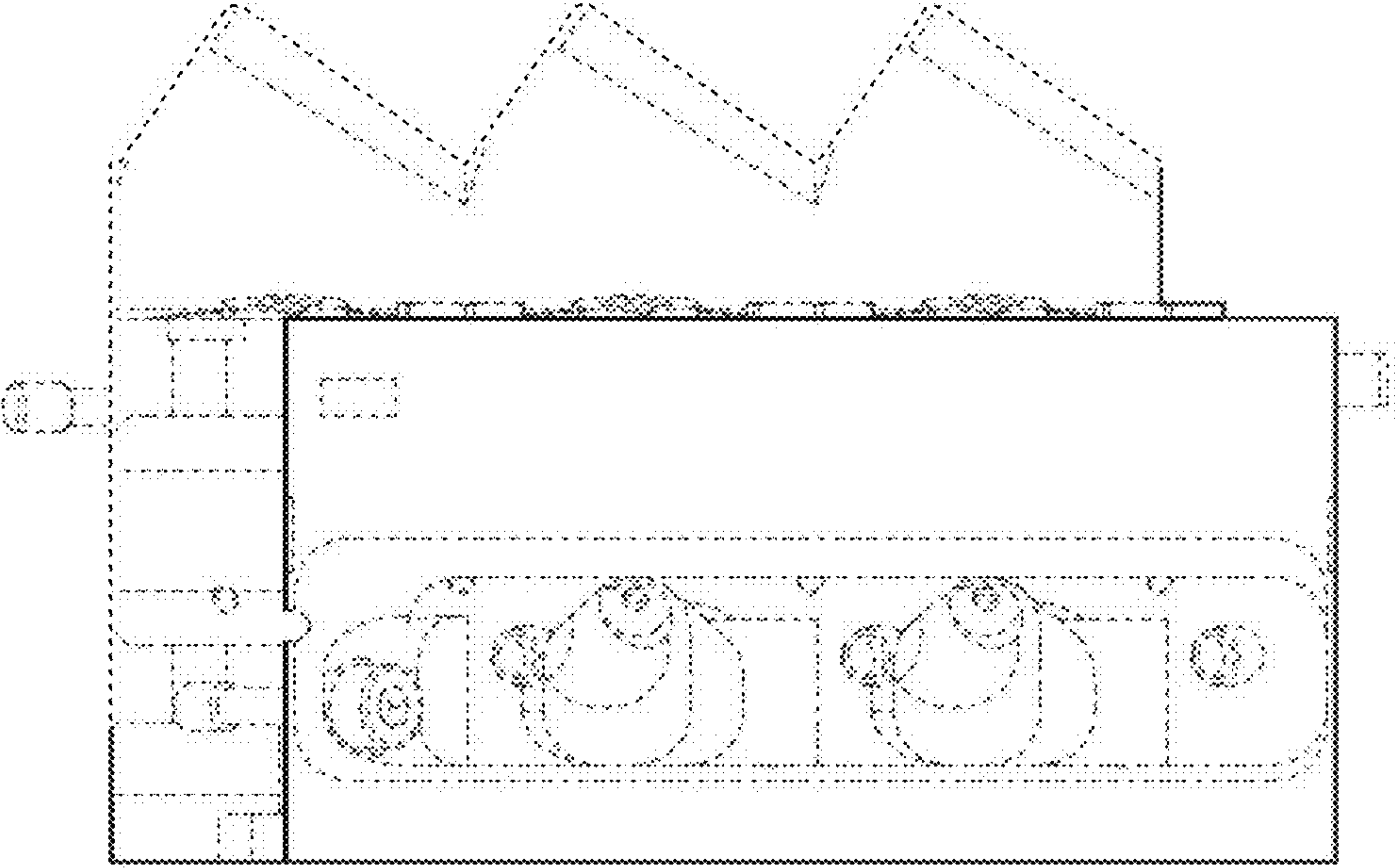


FIG. 5

FIG. 6

