



US00D699282S

(12) **United States Design Patent**  
**Kurokawa et al.**

(10) **Patent No.:** **US D699,282 S**

(45) **Date of Patent:** **\*\* Feb. 11, 2014**

(54) **FLANGE FOR XEROGRAPHIC PHOTORECEPTOR**

(71) Applicant: **Fuji Electric Co., Ltd.**, Kawasaki (JP)

(72) Inventors: **Keiichi Kurokawa**, Kawasaki (JP); **Yuji Ogawa**, Kawasaki (JP)

(73) Assignee: **Fuji Electric Co., Ltd.**, Kawasaki-Shi, Kanagawa (JP)

(\*\*) Term: **14 Years**

(21) Appl. No.: **29/451,083**

(22) Filed: **Mar. 27, 2013**

(30) **Foreign Application Priority Data**

Sep. 28, 2012 (JP) ..... D 2012-023734

(51) **LOC (10) Cl.** ..... **16-03**

(52) **U.S. Cl.**  
USPC ..... **D18/43**

(58) **Field of Classification Search**  
USPC ..... D14/471; D18/12, 36, 40, 43, 44, 56;  
222/DIG. 1; 347/197, 222; 399/24-28,  
399/107-112, 119, 121, 122, 222-224  
See application file for complete search history.

(56) **References Cited**

**U.S. PATENT DOCUMENTS**

5,247,325	A *	9/1993	Takahashi	.....	D18/43
D537,472	S *	2/2007	Amano	.....	D18/43
D542,837	S *	5/2007	Amano	.....	D18/43
7,664,431	B2 *	2/2010	Jang et al.	.....	399/167
D618,720	S *	6/2010	Wasai	.....	D18/43
D618,721	S *	6/2010	Wasai	.....	D18/43
D620,522	S *	7/2010	Amano	.....	D18/43

(Continued)

*Primary Examiner* — Garth Rademaker

(74) *Attorney, Agent, or Firm* — Young Basile Hanlon & MacFarlane P.C.

(57) **CLAIM**

The ornamental design for a flange for xerographic photoreceptor, as shown and described.

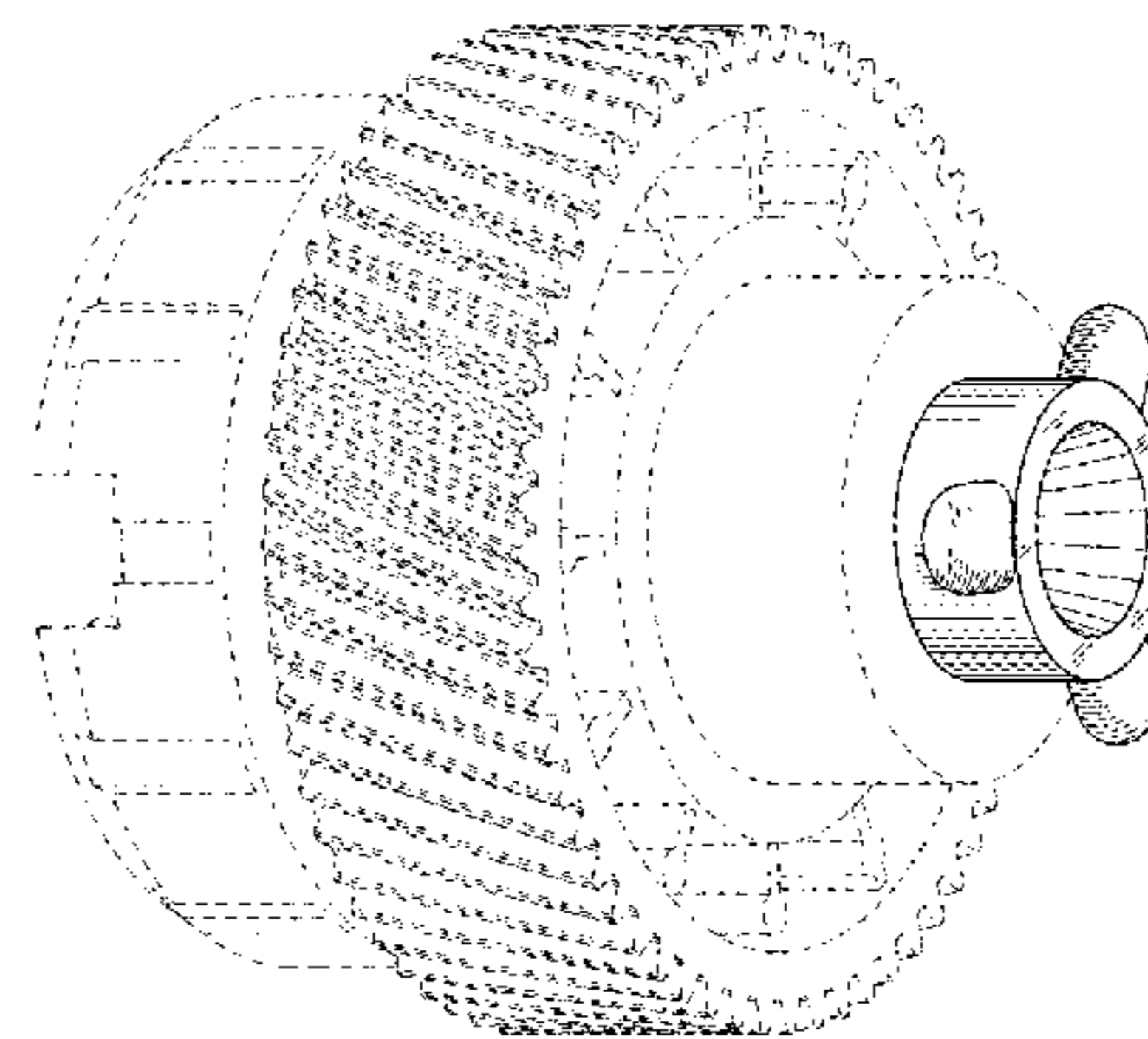
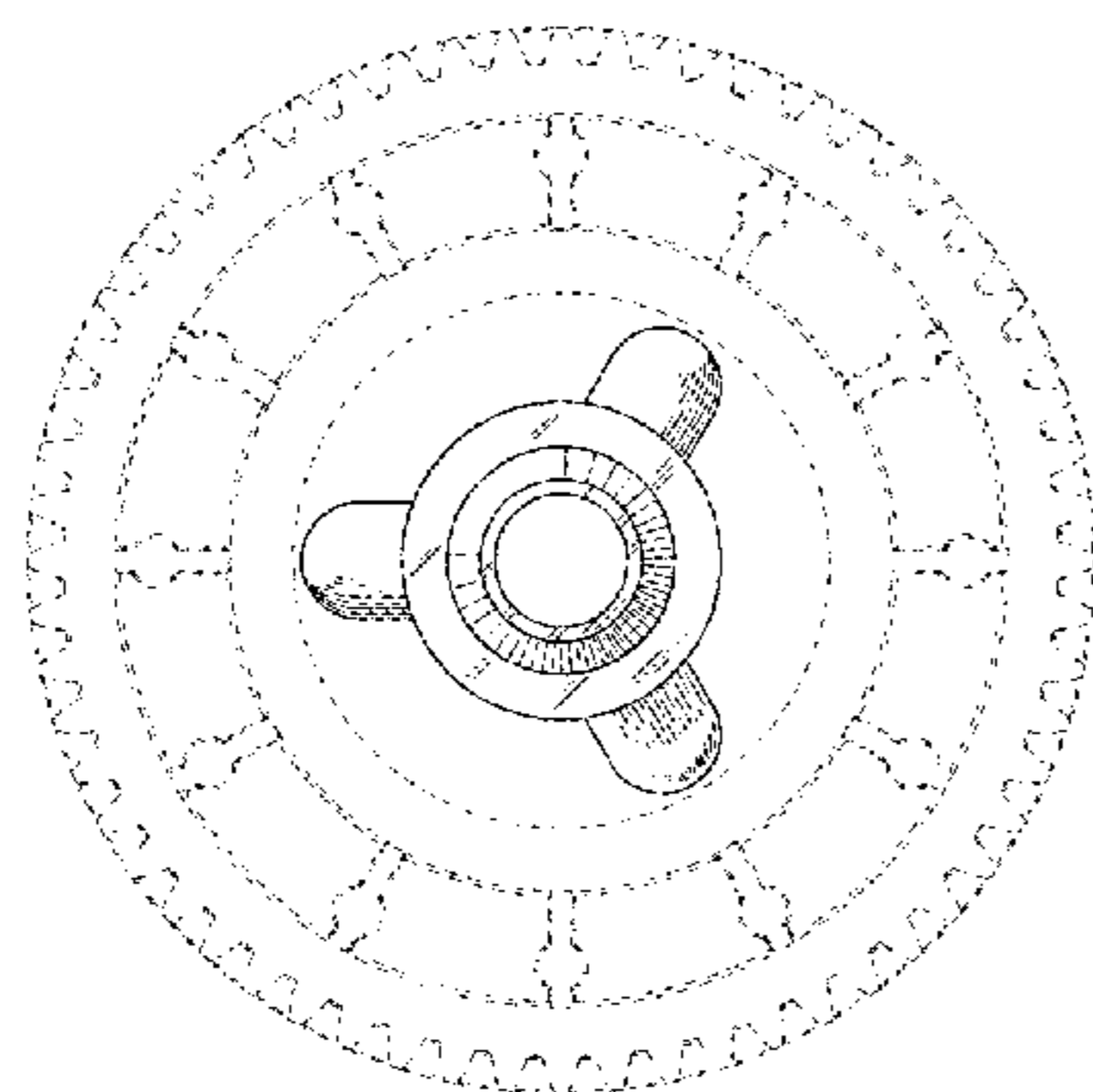
**DESCRIPTION**

FIG. 1 is a front view of a flange for xerographic photoreceptor according to our new design;  
FIG. 2 is a rear view of the flange for xerographic photoreceptor of FIG. 1;  
FIG. 3 is a left side view of the flange for xerographic photoreceptor of FIG. 1;  
FIG. 4 is a right side view of the flange for xerographic photoreceptor of FIG. 1;  
FIG. 5 is a top view of the flange for xerographic photoreceptor of FIG. 1;  
FIG. 6 is a bottom view of the flange for xerographic photoreceptor of FIG. 1;  
FIG. 7 is a right side view of the flange for xerographic photoreceptor of FIG. 1 including cross-sectional indicia;  
FIG. 8 is a cross-sectional view of the flange for xerographic photoreceptor of FIG. 1 taken along line 8-8 of FIG. 7;  
FIG. 9 is a perspective view of the flange for xerographic photoreceptor of FIG. 1; and,  
FIG. 10 is a front view of the flange for xerographic photoreceptor of FIG. 1, shown at a reduced scale and in an alternate environment of use.

The broken lines depict environmental subject matter only and form no part of the claimed design.

The ornamental design of the present disclosure is a flange that can be fitted in an open end of a xerographic photoreceptor (also called a photoconductor drum). The xerographic photoreceptor can be incorporated in a process cartridge to be removably installed in electro-photographic application equipment, such as a copying machine, etc., and receives a rotational driving force from an apparatus main body. The xerographic photoreceptor is rotated by the rotational driving force to be transmitted to the flange to print a latent image of the xerographic photoreceptor on print media.

**1 Claim, 10 Drawing Sheets**



(56)

**References Cited**

U.S. PATENT DOCUMENTS

D667,049 S *	9/2012	Park et al. ....	D18/43	D678,940 S *	3/2013	Huck et al. ....	D18/43
D677,718 S *	3/2013	Huck et al. ....	D18/43	D679,751 S *	4/2013	Huck et al. ....	D18/43
D678,398 S *	3/2013	Huck et al. ....	D18/43	D680,159 S *	4/2013	Huck et al. ....	D18/43
D678,399 S *	3/2013	Huck et al. ....	D18/43	D683,392 S *	5/2013	Kurokawa et al. ....	D18/43
D678,400 S *	3/2013	Huck et al. ....	D18/43	D683,393 S *	5/2013	Kurokawa et al. ....	D18/43
D678,401 S *	3/2013	Huck et al. ....	D18/43	D683,788 S *	6/2013	Kurokawa et al. ....	D18/43
D678,939 S *	3/2013	Huck et al. ....	D18/43	D685,023 S *	6/2013	Kurokawa et al. ....	D18/43
				D689,128 S *	9/2013	Amberg et al. ....	D18/43
				2009/0010681 A1 *	1/2009	Huck et al. ....	399/167
				2010/0196047 A1 *	8/2010	Jin .....	399/111

\* cited by examiner

Fig. 1

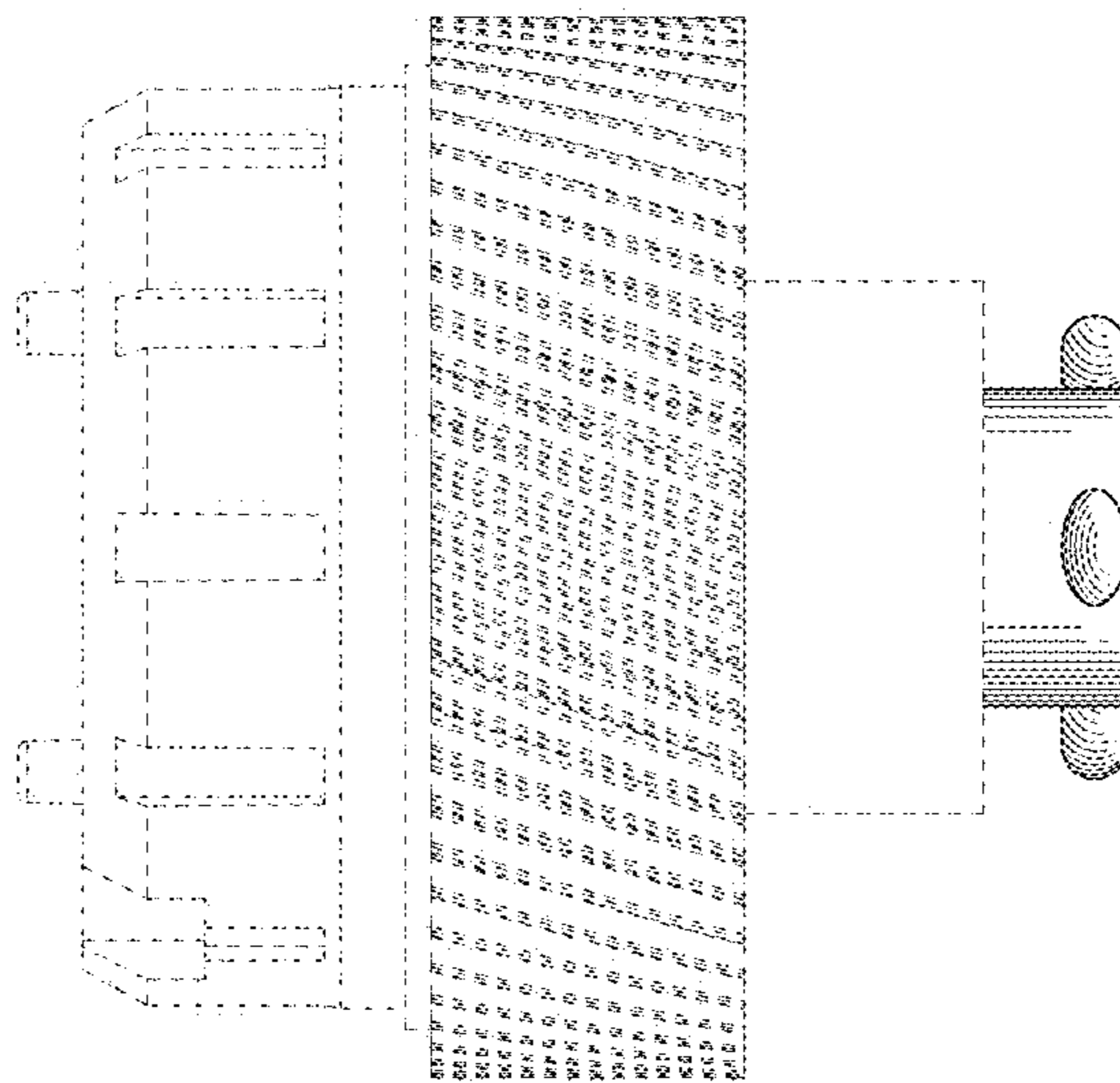


Fig. 2

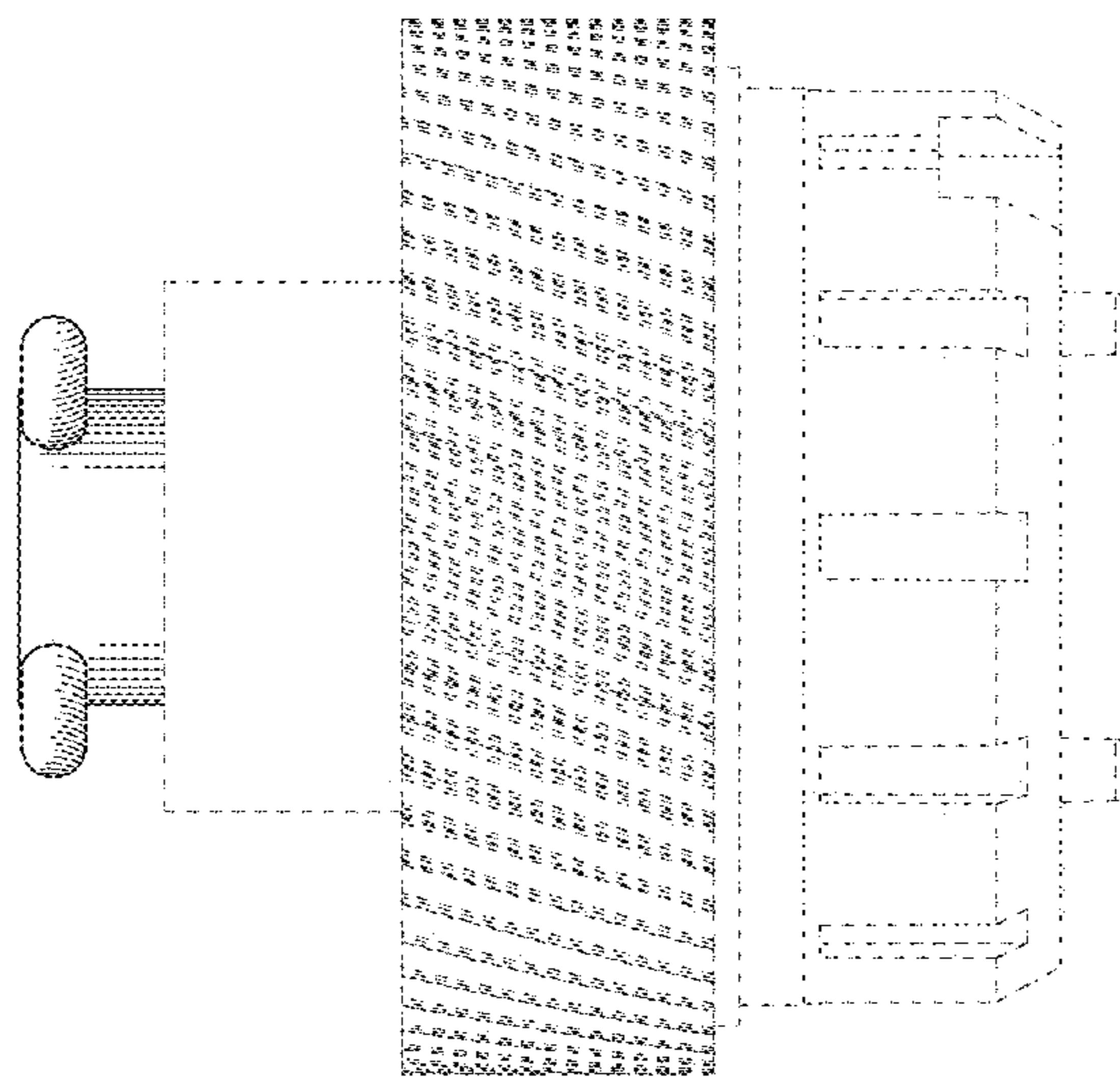


Fig. 3

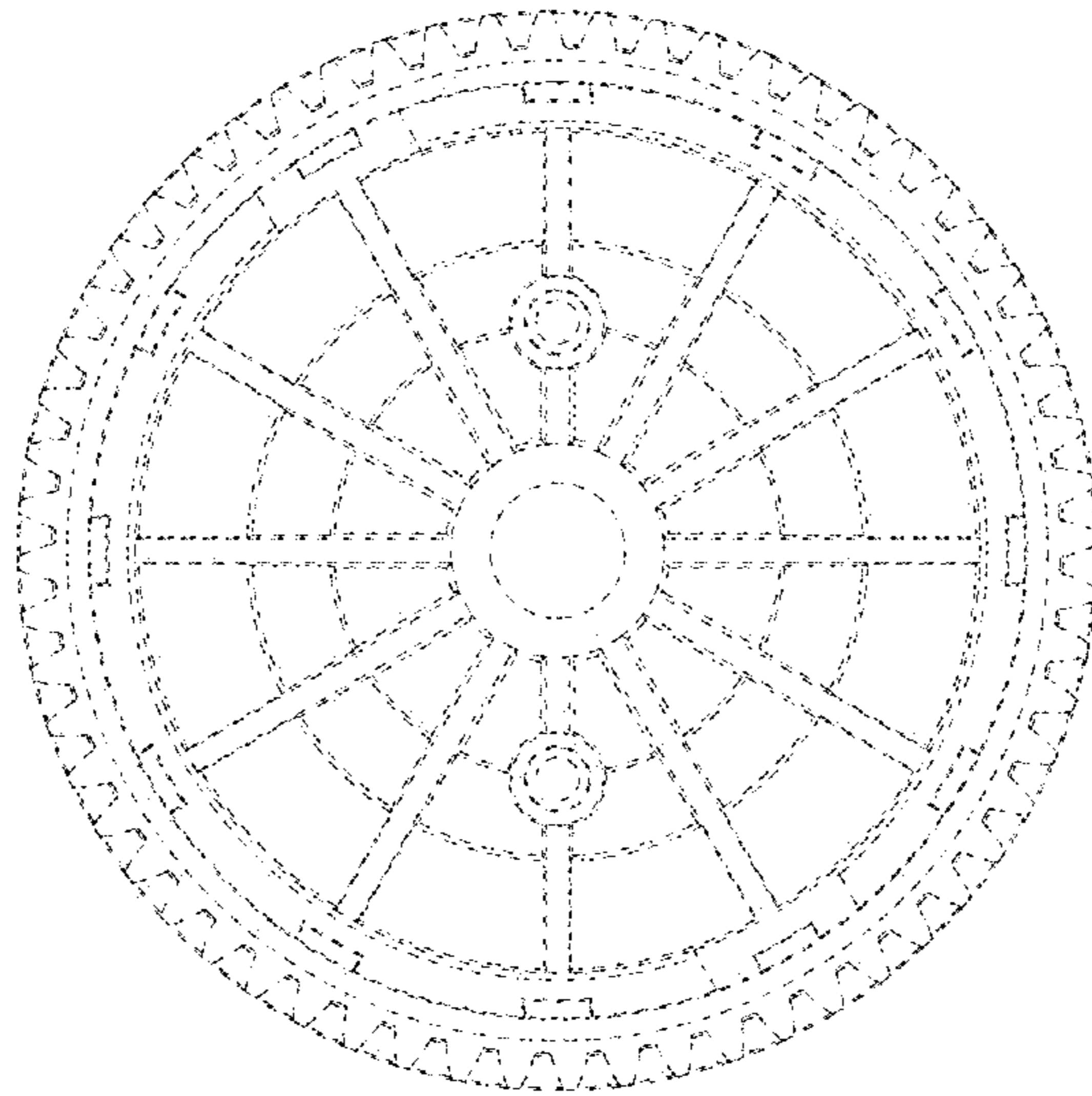


Fig. 4

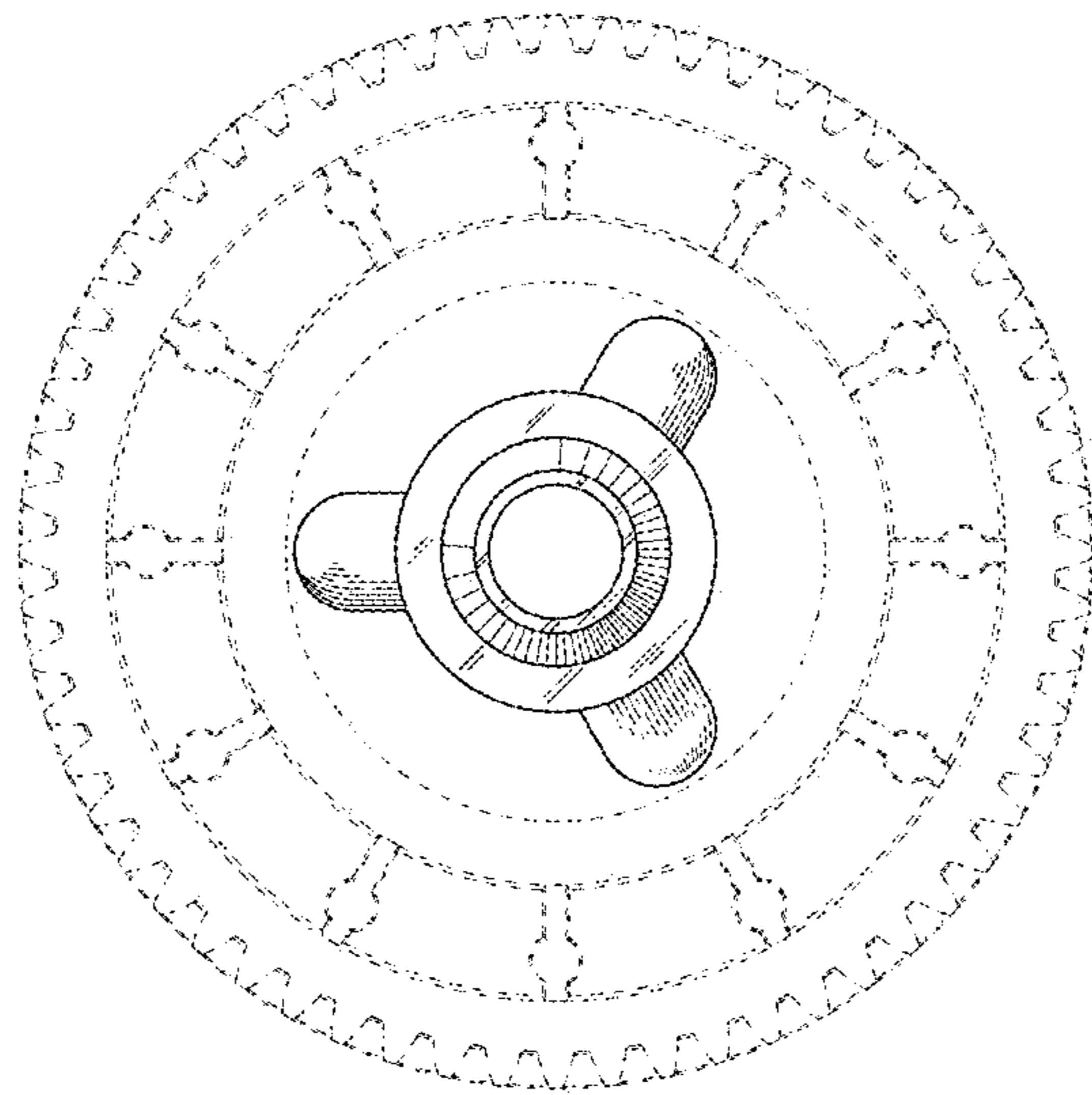


Fig. 5

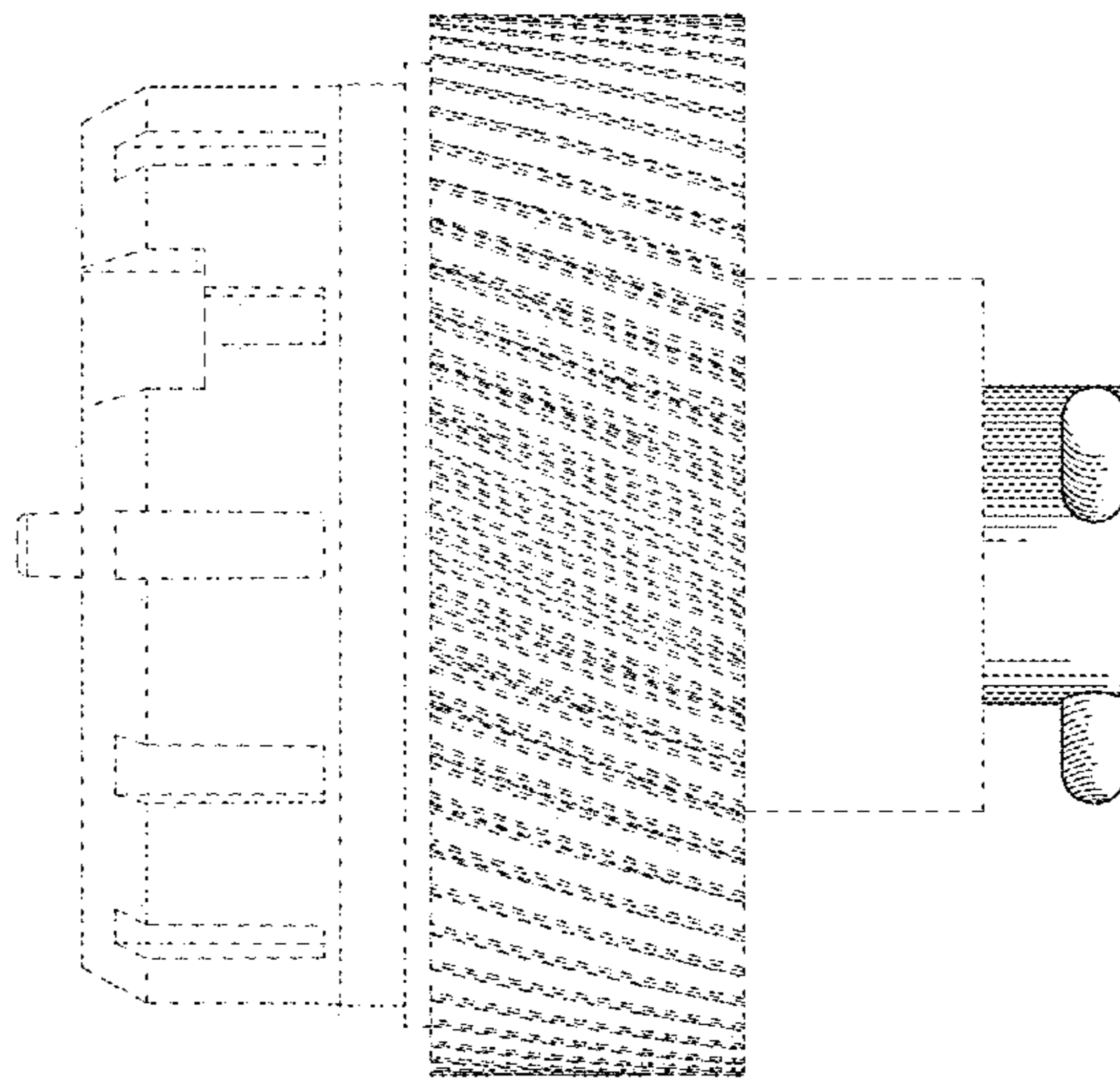


Fig. 6

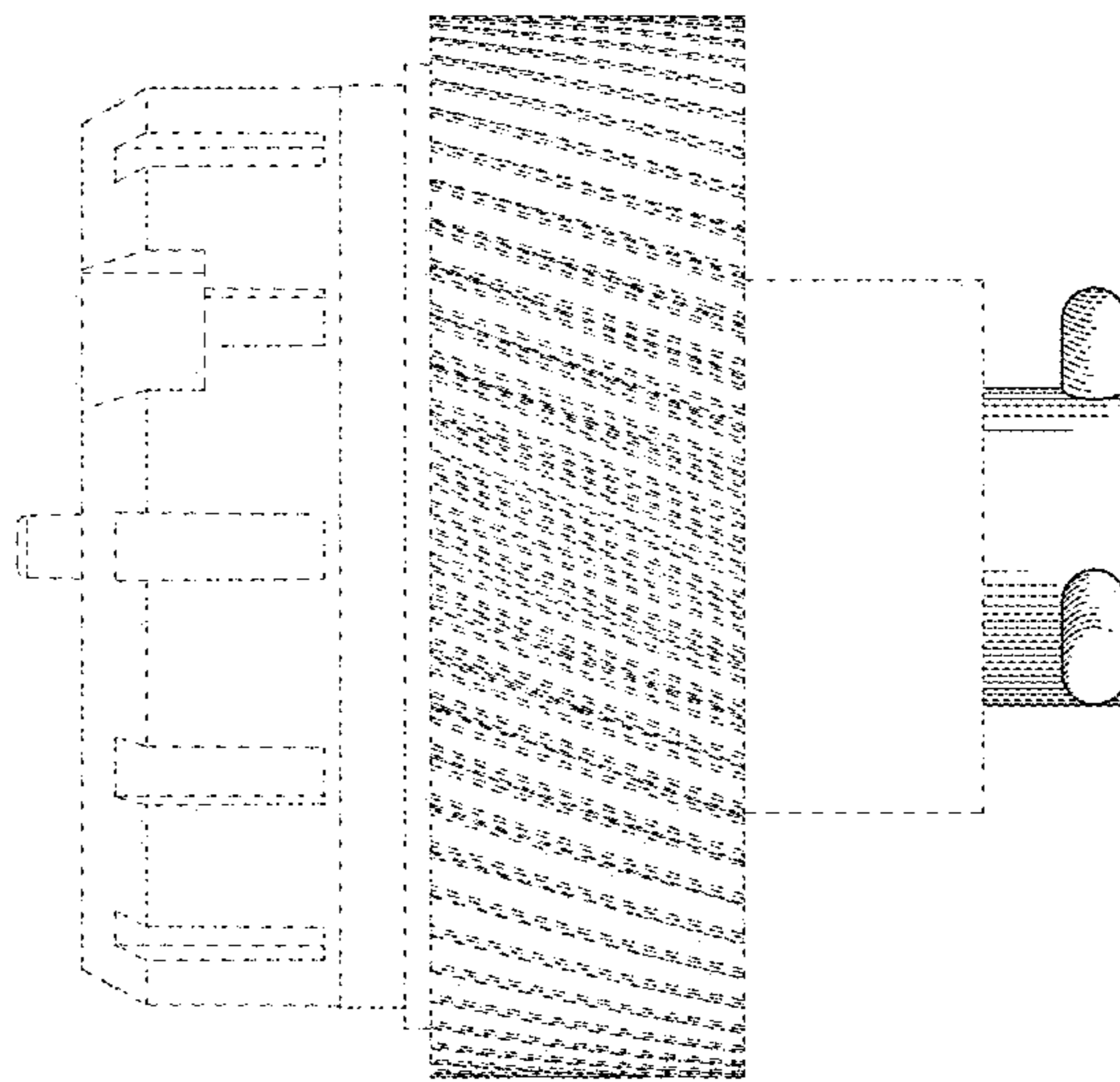




Fig. 7

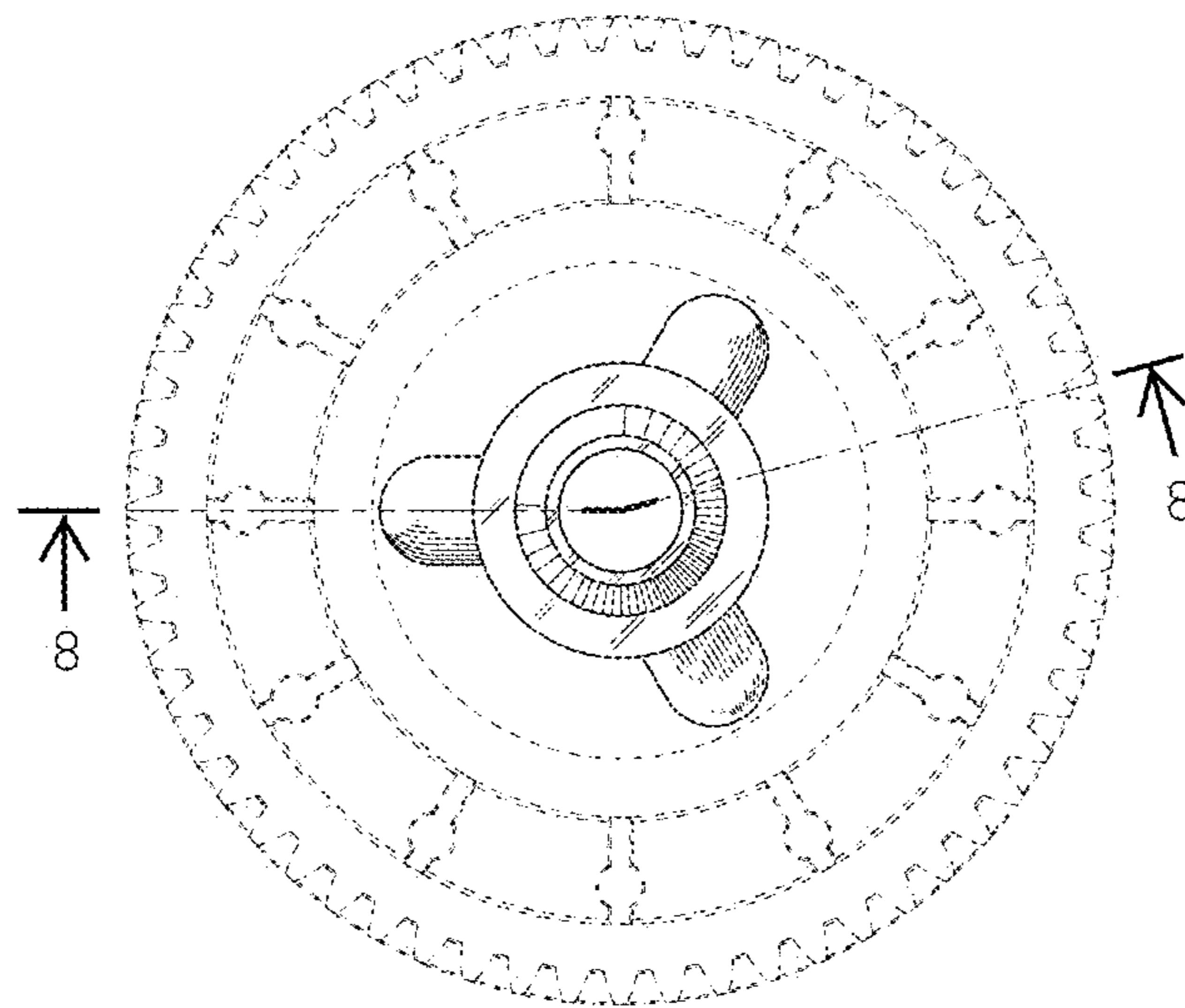


Fig. 8

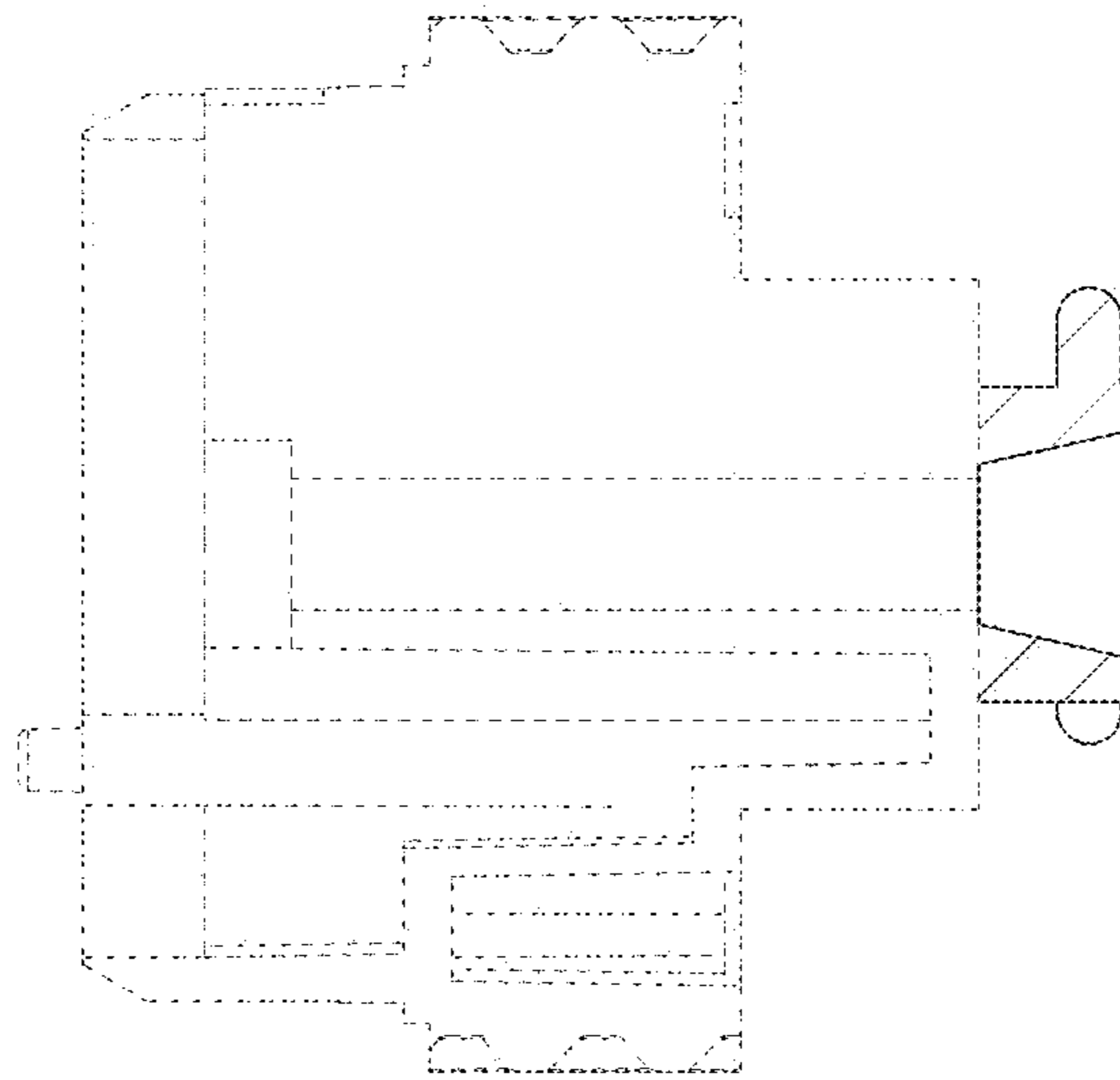


Fig. 9

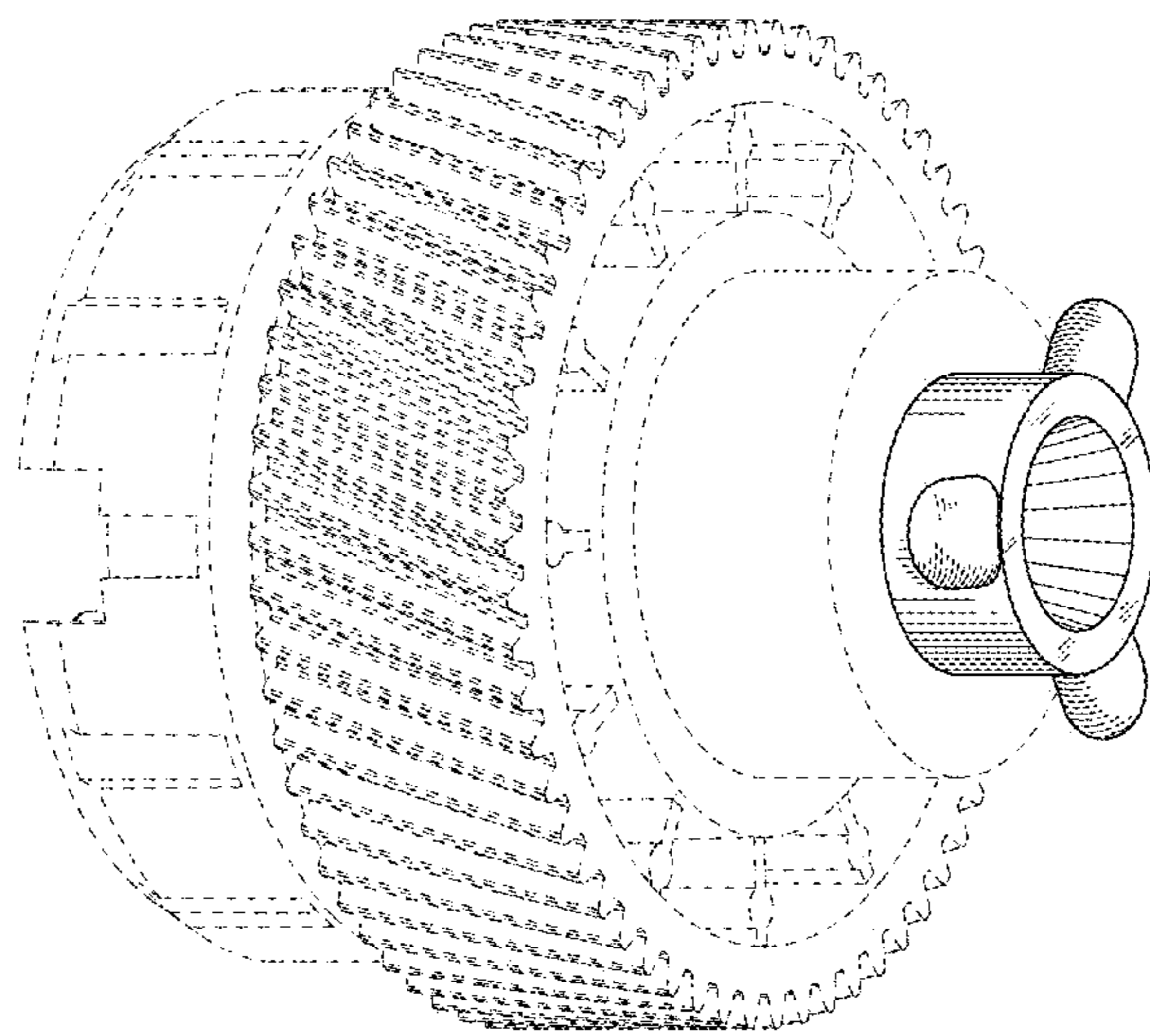


Fig. 10

