



US00D699279S

(12) **United States Design Patent**
Zhan

(10) **Patent No.:** **US D699,279 S**
(45) **Date of Patent:** **** Feb. 11, 2014**

- (54) **LED SPOT LIGHT FOR CAMERA**
- (76) Inventor: **Xiao-Ming Zhan**, Fujian (CN)
- (**) Term: **14 Years**
- (21) Appl. No.: **29/409,724**
- (22) Filed: **Dec. 28, 2011**
- (51) **LOC (10) Cl.** **16-05**
- (52) **U.S. Cl.**
USPC **D16/239**
- (58) **Field of Classification Search**
USPC D16/237, 239, 240; D26/24, 37-38, 63,
D26/110, 113, 129; 362/3, 16-18, 182, 552;
D13/180, 182; 313/313-316
See application file for complete search history.

D679,845 S * 4/2013 Huang D26/37
 2010/0014289 A1 * 1/2010 Thomas et al. 362/235
 2011/0122623 A1 * 5/2011 Miura 362/249.02

OTHER PUBLICATIONS

Vidpro 4-piece Interlocking Professional Photo & Video LED Light Kit. [online] Retrieved Aug. 8, 2013 from URL: <http://www.bhphotovideo.com/c/product/829093-REG/Vidpro_Z_96K4_4_Piece_Z_96K4_Professional_Video.html>.*

* cited by examiner

Primary Examiner — Susan Bennett Hattan
Assistant Examiner — Vy Koenig

(57) **CLAIM**

The ornamental design for a LED spot light for camera, as shown and described.

DESCRIPTION

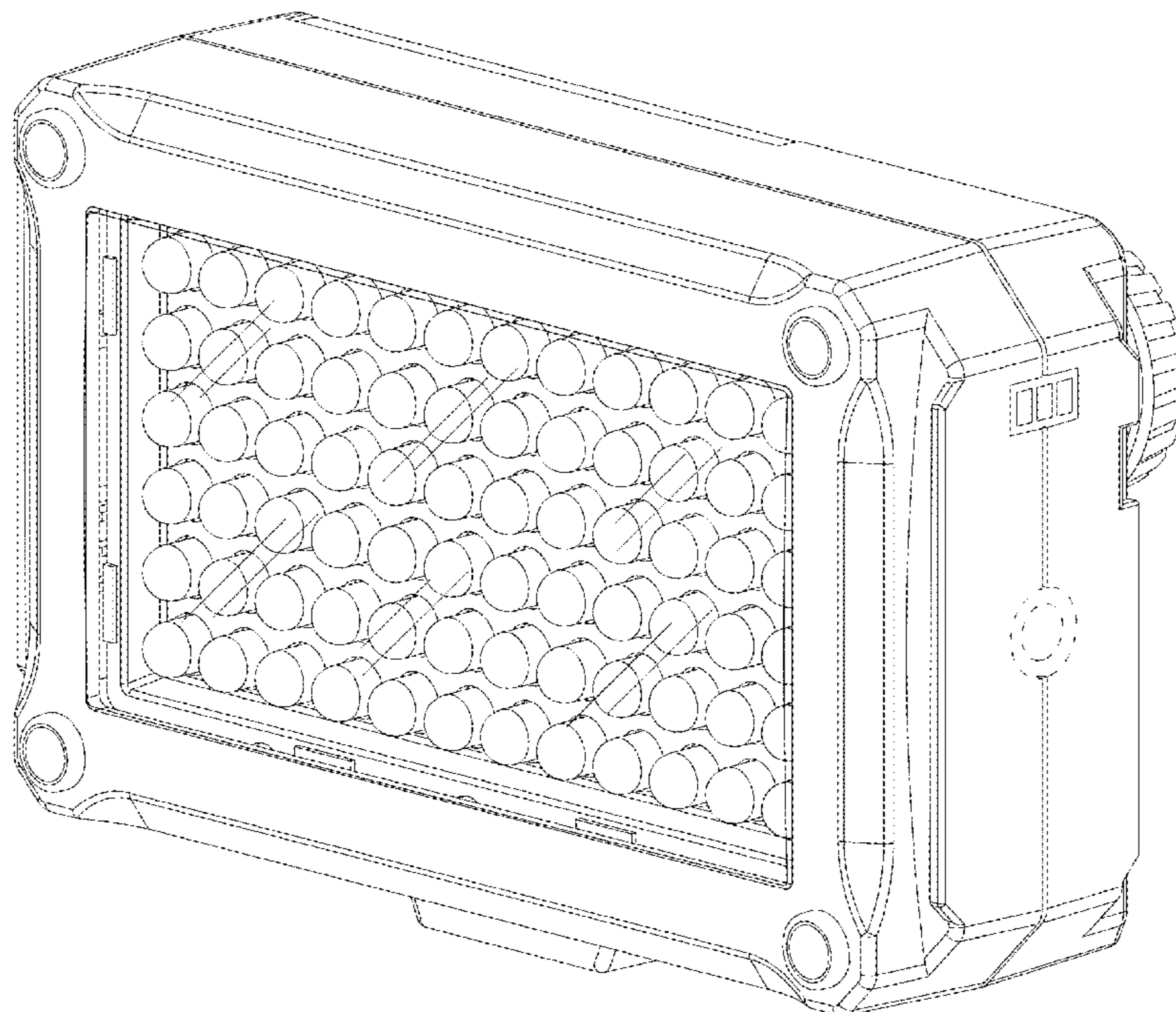
FIG. 1 is a perspective view showing LED spot light for camera of my present design, FIG. 2 is a front view thereof; FIG. 3 is a rear view thereof; FIG. 4 is a left side view thereof; FIG. 5 is a right side view thereof; FIG. 6 is a top view thereof; and, FIG. 7 is a bottom view thereof. The broken lines in the drawings depict environmental features that form no part of the claimed design.

1 Claim, 7 Drawing Sheets

(56) **References Cited**

U.S. PATENT DOCUMENTS

D234,800 S *	4/1975	Swartz	D26/24
D440,513 S *	4/2001	Smith	D10/114.3
D511,850 S *	11/2005	Huang	D26/28
D576,333 S *	9/2008	Benensohn	D26/72
D604,871 S *	11/2009	Denton	D26/24
D614,224 S *	4/2010	Orion et al.	D16/239
D630,785 S *	1/2011	Kim et al.	D26/63
D631,179 S *	1/2011	Kim et al.	D26/63
D659,867 S *	5/2012	Zhan	D26/37
D666,346 S *	8/2012	Gebhard et al.	D26/63
D677,815 S *	3/2013	Zhan	D26/37



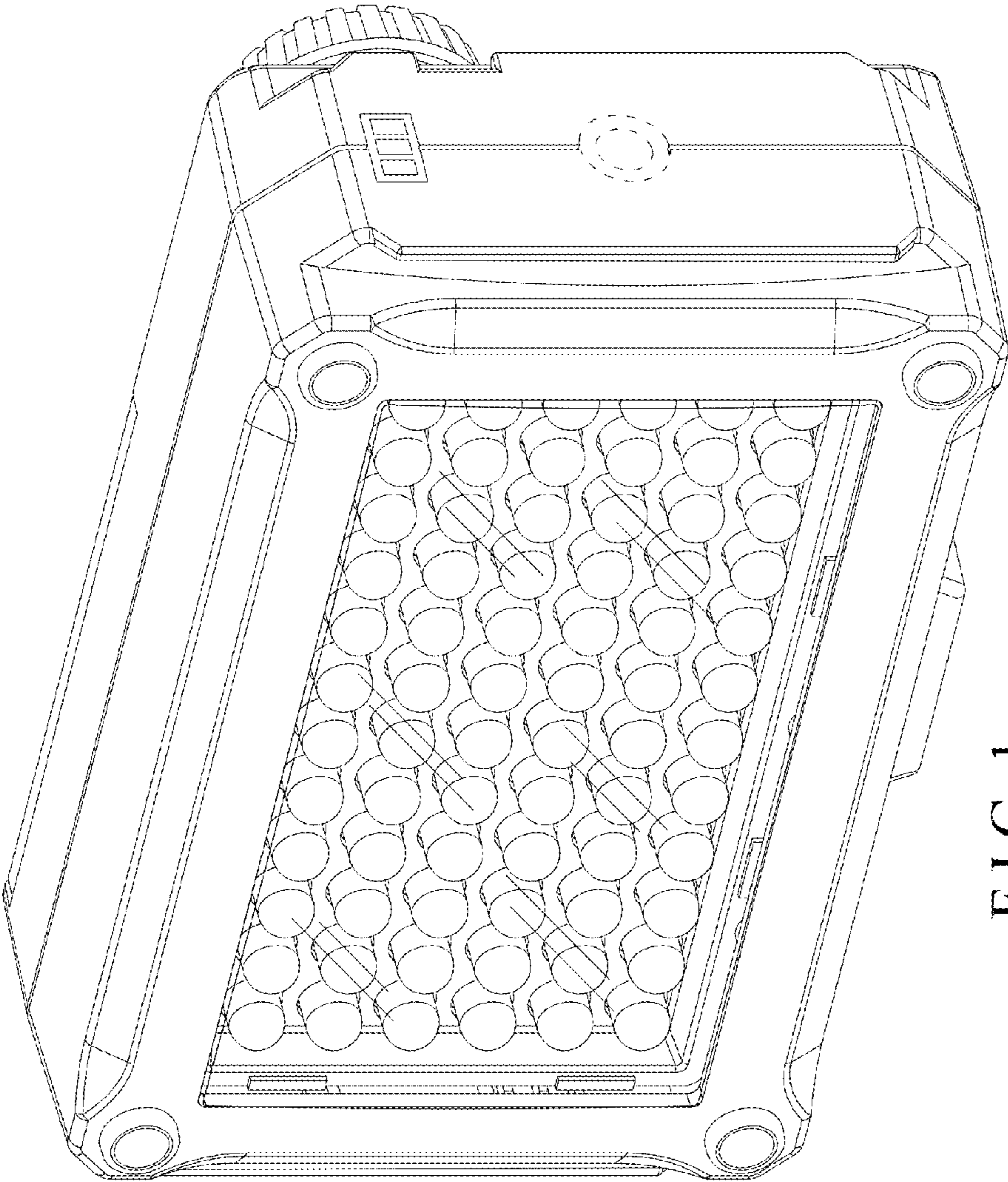


FIG. 1

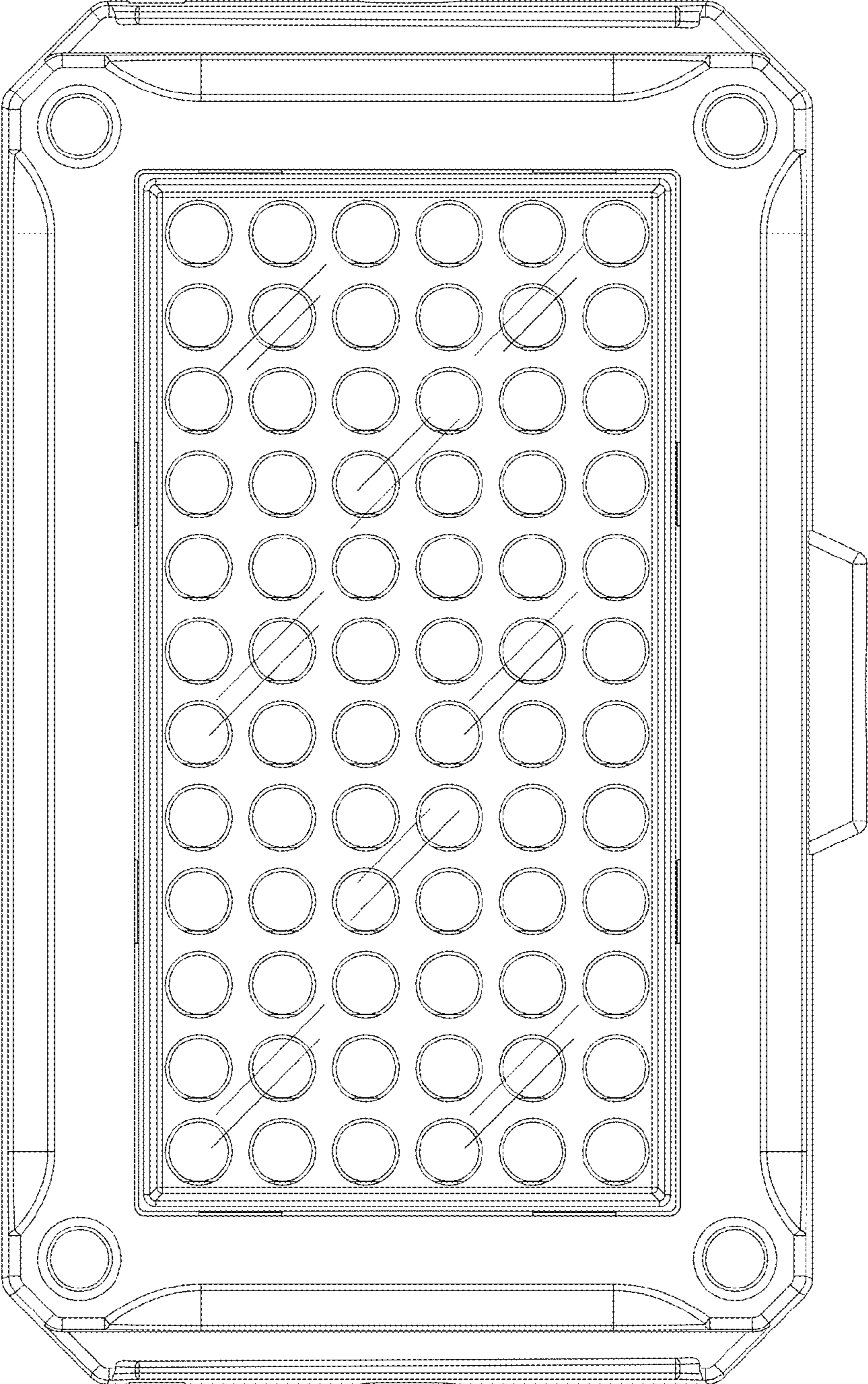


FIG. 2

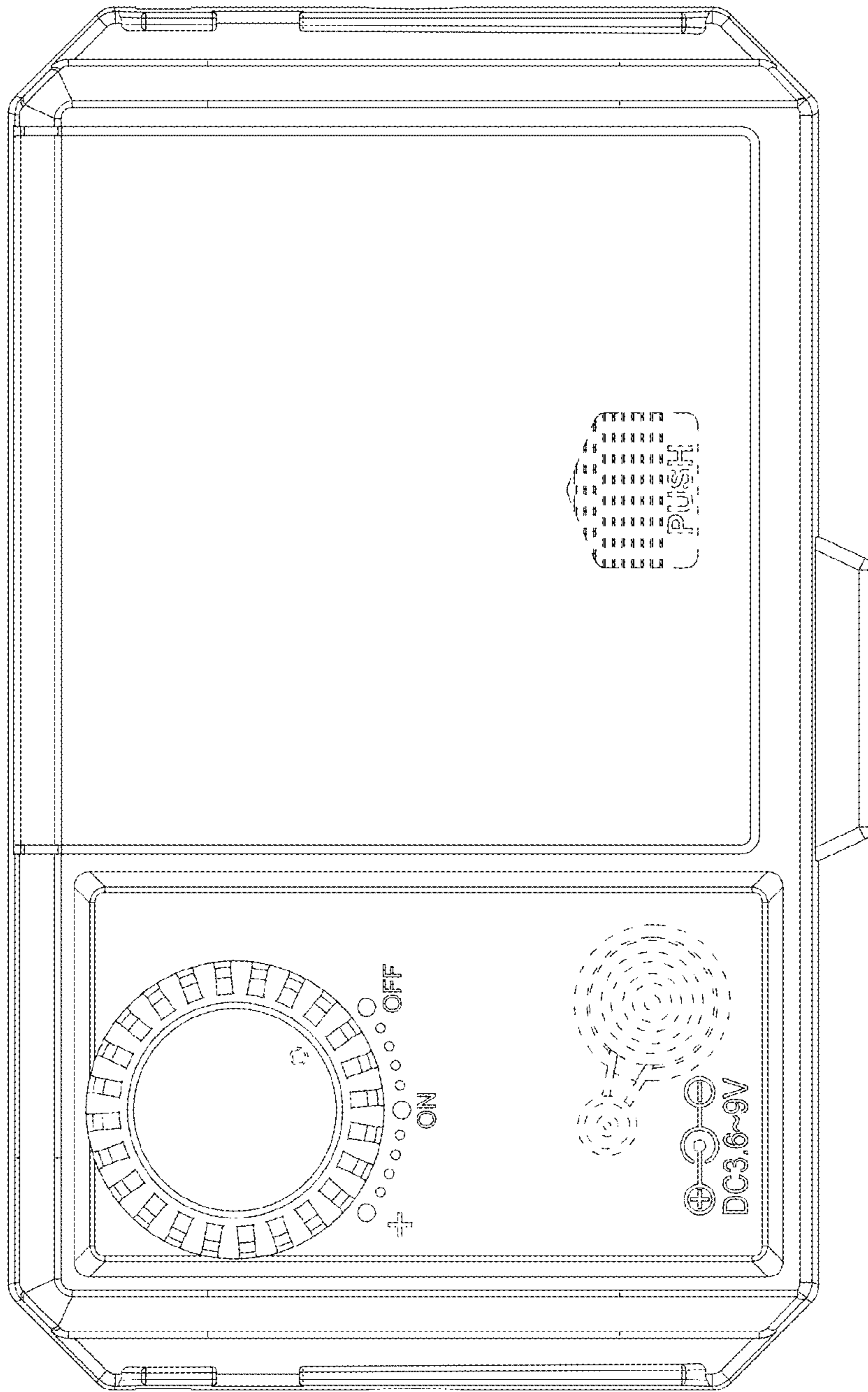


FIG. 3

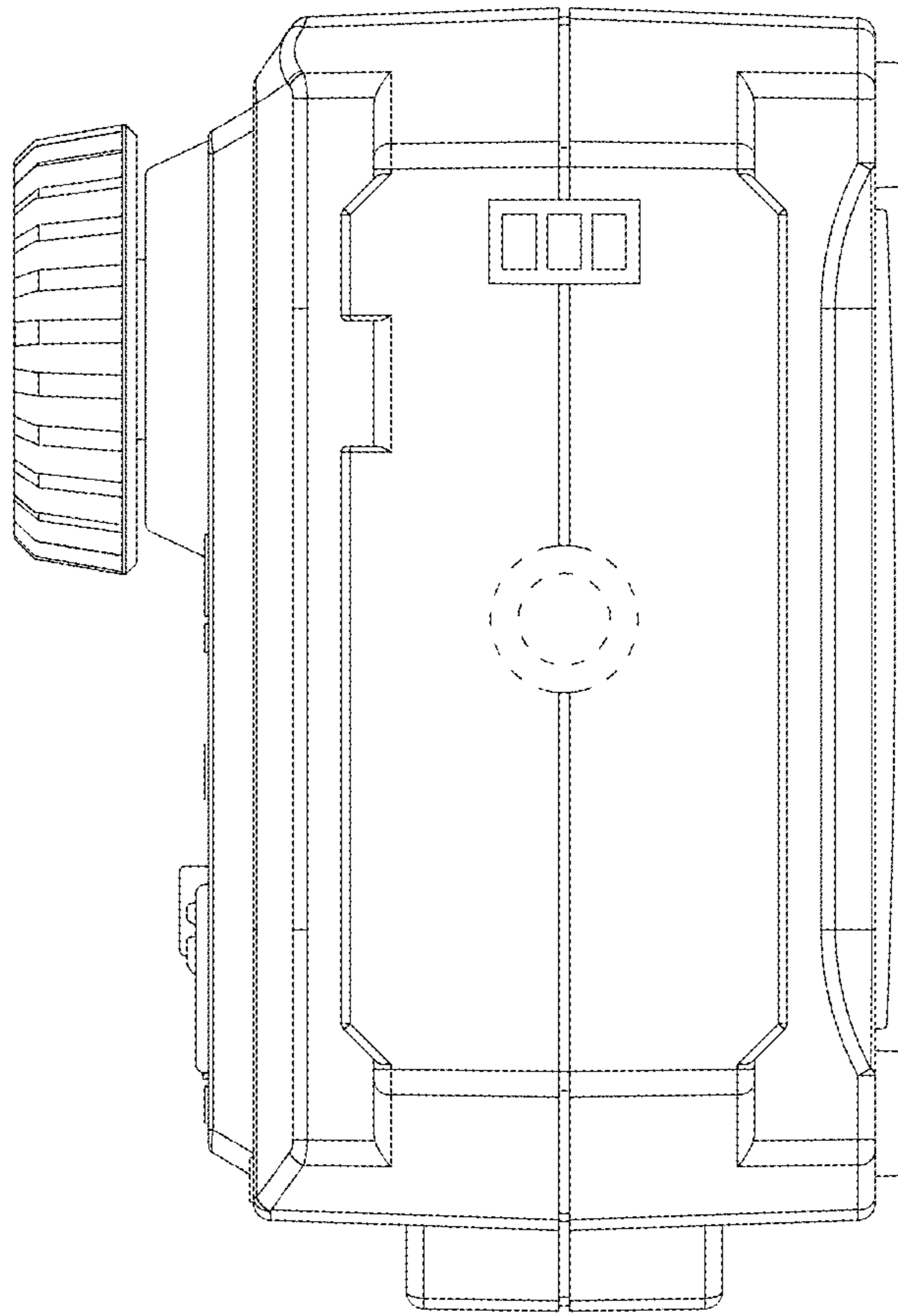


FIG. 4

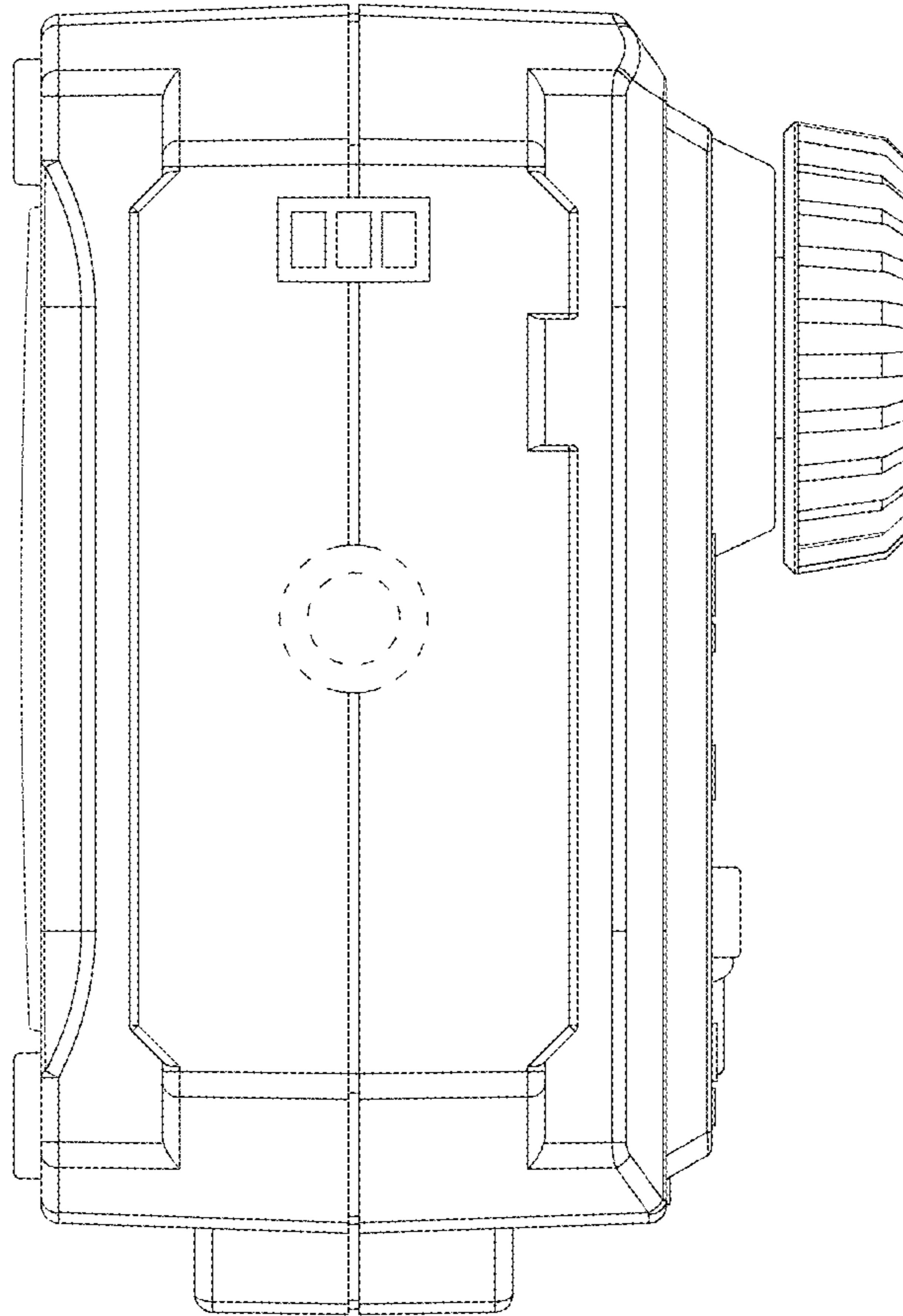


FIG. 5

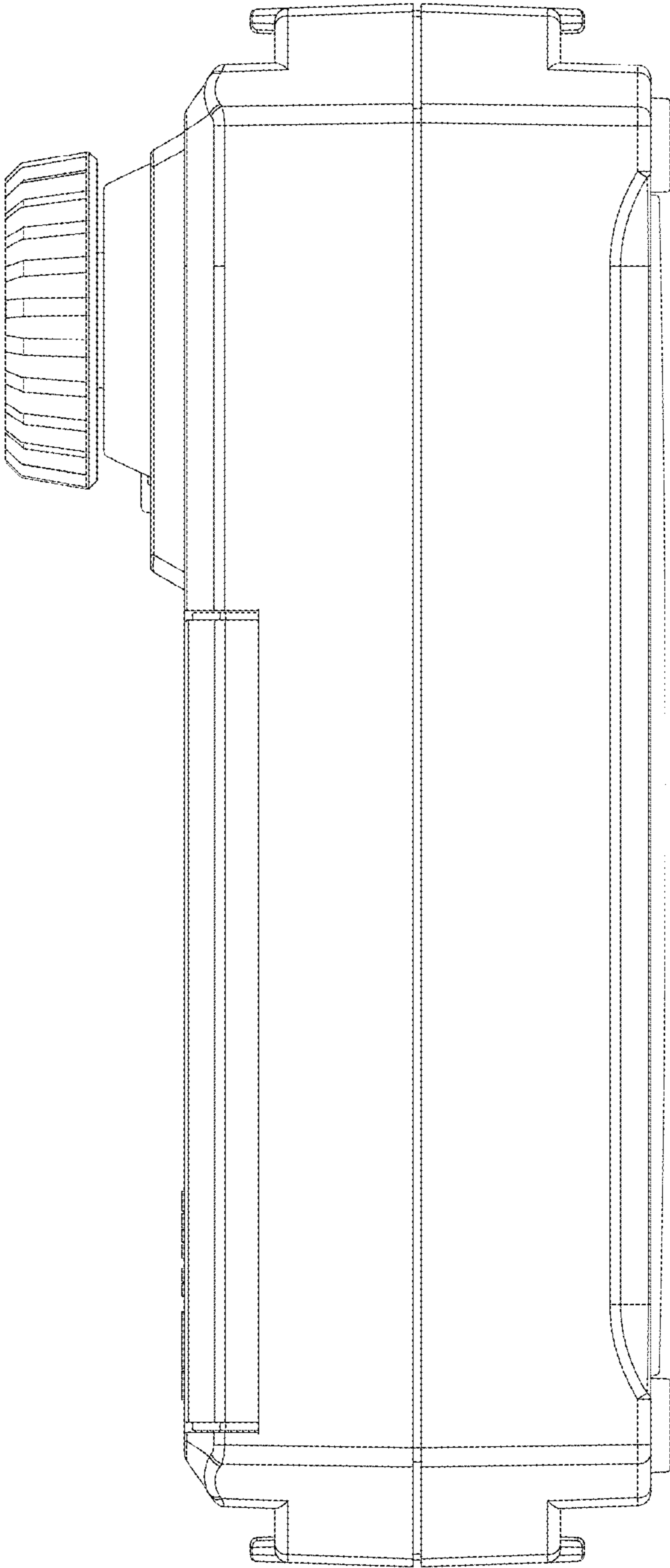


FIG. 6

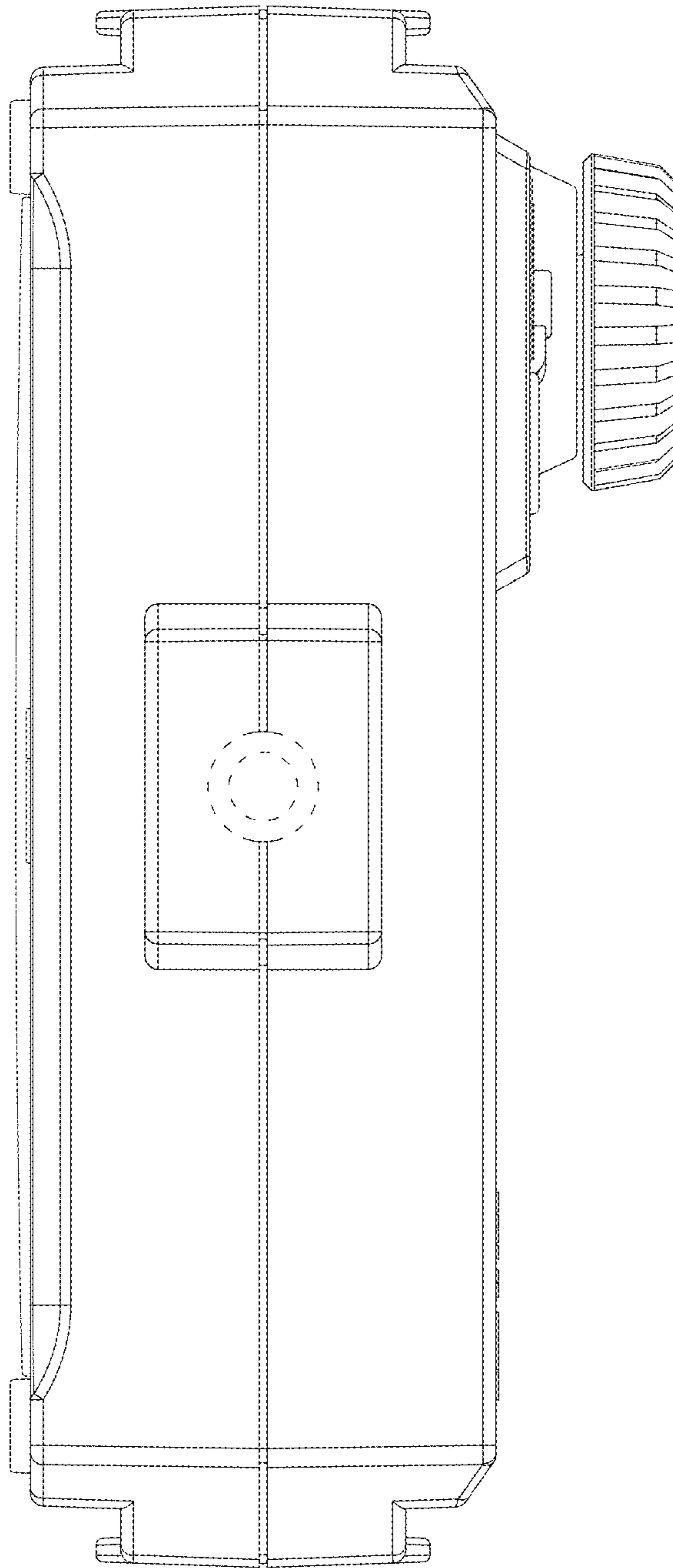


FIG. 7