



US00D699276S

(12) **United States Design Patent**
Samuels et al.

(10) **Patent No.:** **US D699,276 S**

(45) **Date of Patent:** **** Feb. 11, 2014**

(54) **CAMERA HOUSING**

(71) Applicants: **Rudy Lucas Samuels**, Mill Valley, CA (US); **Nicholas D. Woodman**, Sausalito, CA (US); **Fred Bould**, Menlo Park, CA (US); **Kristen Beck**, San Mateo, CA (US)

(72) Inventors: **Rudy Lucas Samuels**, Mill Valley, CA (US); **Nicholas D. Woodman**, Sausalito, CA (US); **Fred Bould**, Menlo Park, CA (US); **Kristen Beck**, San Mateo, CA (US)

(73) Assignee: **Woodman Labs, Inc.**, San Mateo, CA (US)

(**) Term: **14 Years**

(21) Appl. No.: **29/434,196**

(22) Filed: **Oct. 10, 2012**

(51) **LOC (10) Cl.** **16-01**

(52) **U.S. Cl.**
USPC **D16/200**

(58) **Field of Classification Search**
USPC D16/200, 201, 202, 203, 204, 208, 218;
348/373; 396/535, 540, 541
See application file for complete search history.

(56) **References Cited**

U.S. PATENT DOCUMENTS

679,881 A * 8/1901 Bullard 396/535
1,467,556 A * 9/1923 Nagel 396/535

D441,386 S * 5/2001 Yamazaki D16/203
D491,968 S * 6/2004 Isshiki D16/203
D582,955 S * 12/2008 Sekine et al. D16/218
7,537,399 B2 * 5/2009 Mayumi 348/373
D616,480 S * 5/2010 Ookawa et al. D16/218
D646,313 S * 10/2011 Woodman D16/200

* cited by examiner

Primary Examiner — Adir Aronovich

(74) *Attorney, Agent, or Firm* — Fenwick & West LLP

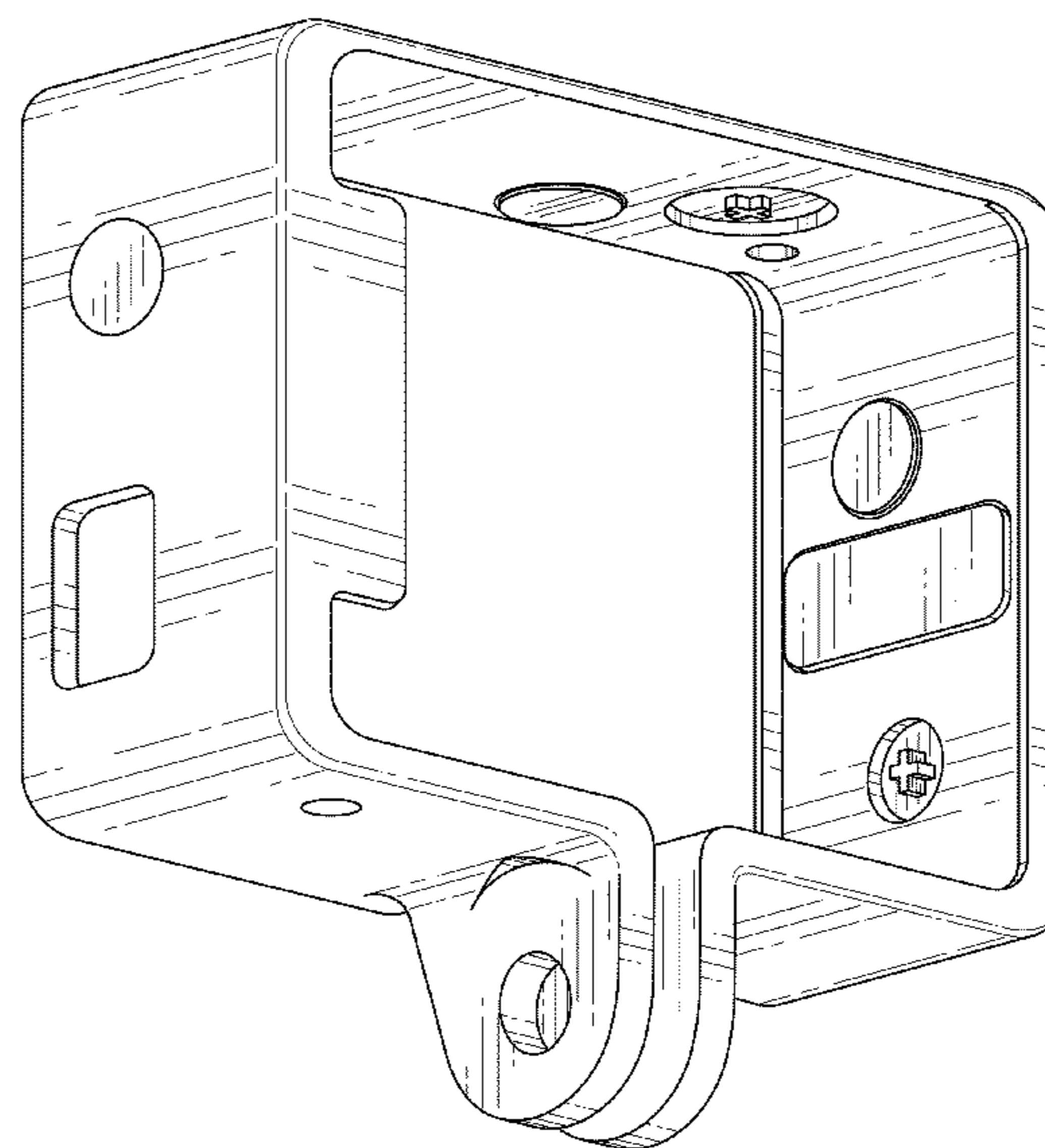
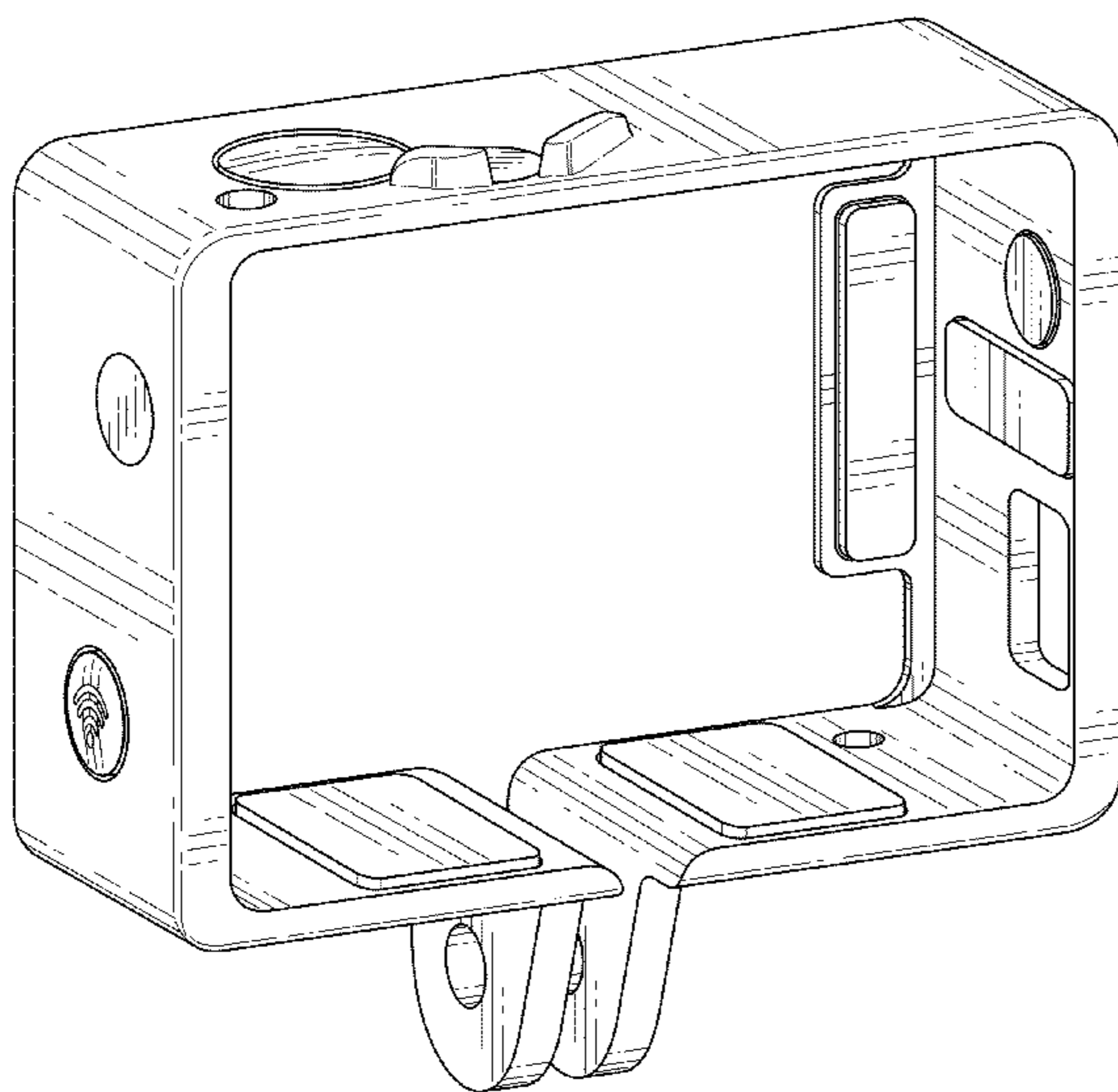
(57) **CLAIM**

The ornamental design for a camera housing, as shown and described.

DESCRIPTION

FIG. 1 is a front, top and left side perspective view of a camera housing showing our new design;
FIG. 2 is a rear, bottom and right side perspective view thereof;
FIG. 3 is a front and top perspective view thereof;
FIG. 4 is a front elevational view thereof;
FIG. 5 is a rear elevational view thereof;
FIG. 6 is a top plan view thereof;
FIG. 7 is a bottom plan view thereof;
FIG. 8 is a left side elevational view thereof; and,
FIG. 9 is a right side elevational view thereof.
The broken lines in the drawings showing portions of the camera housing are included for the purpose of illustrating environmental structure and form no part of the claimed design.

1 Claim, 7 Drawing Sheets



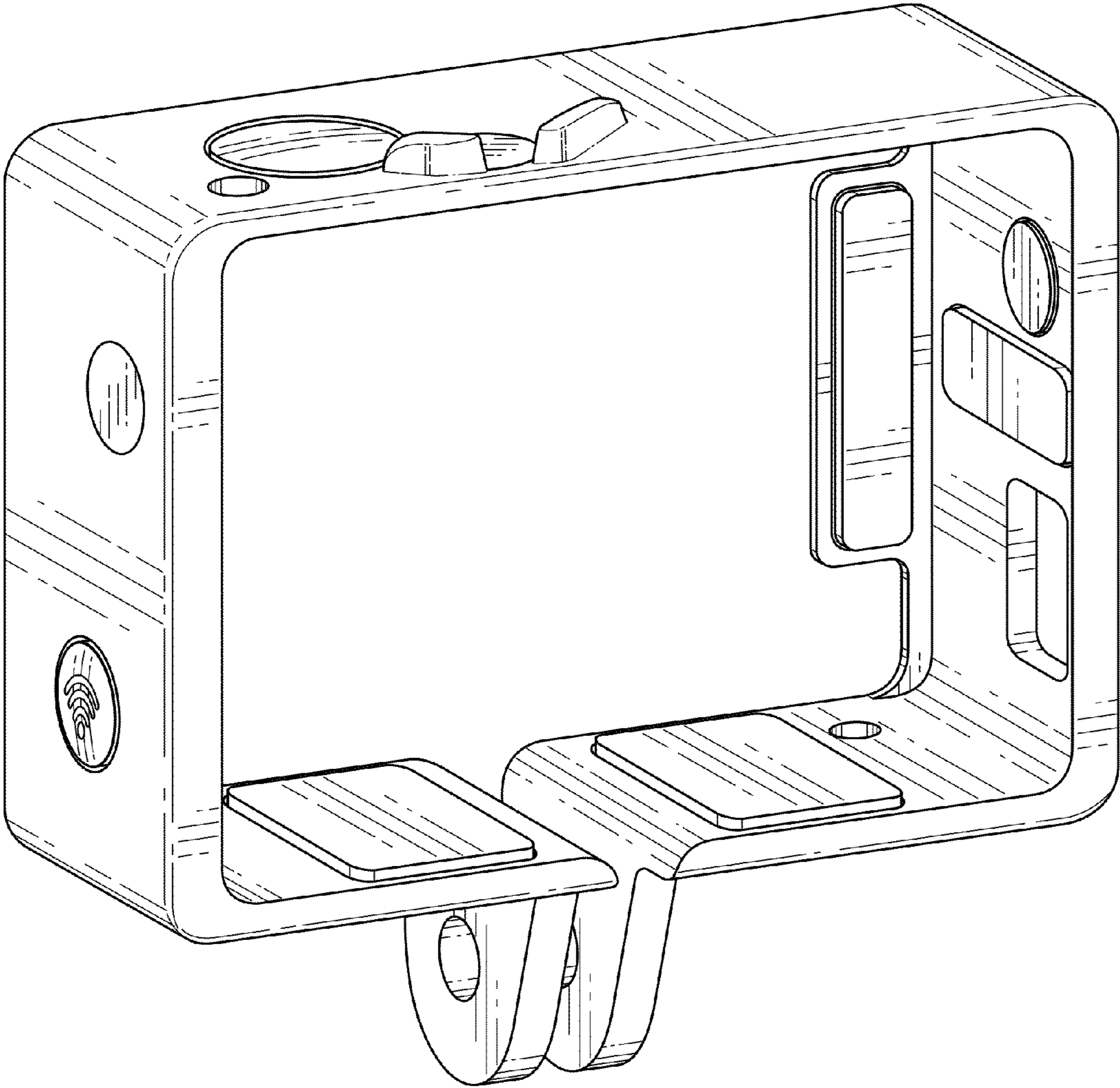


FIG. 1

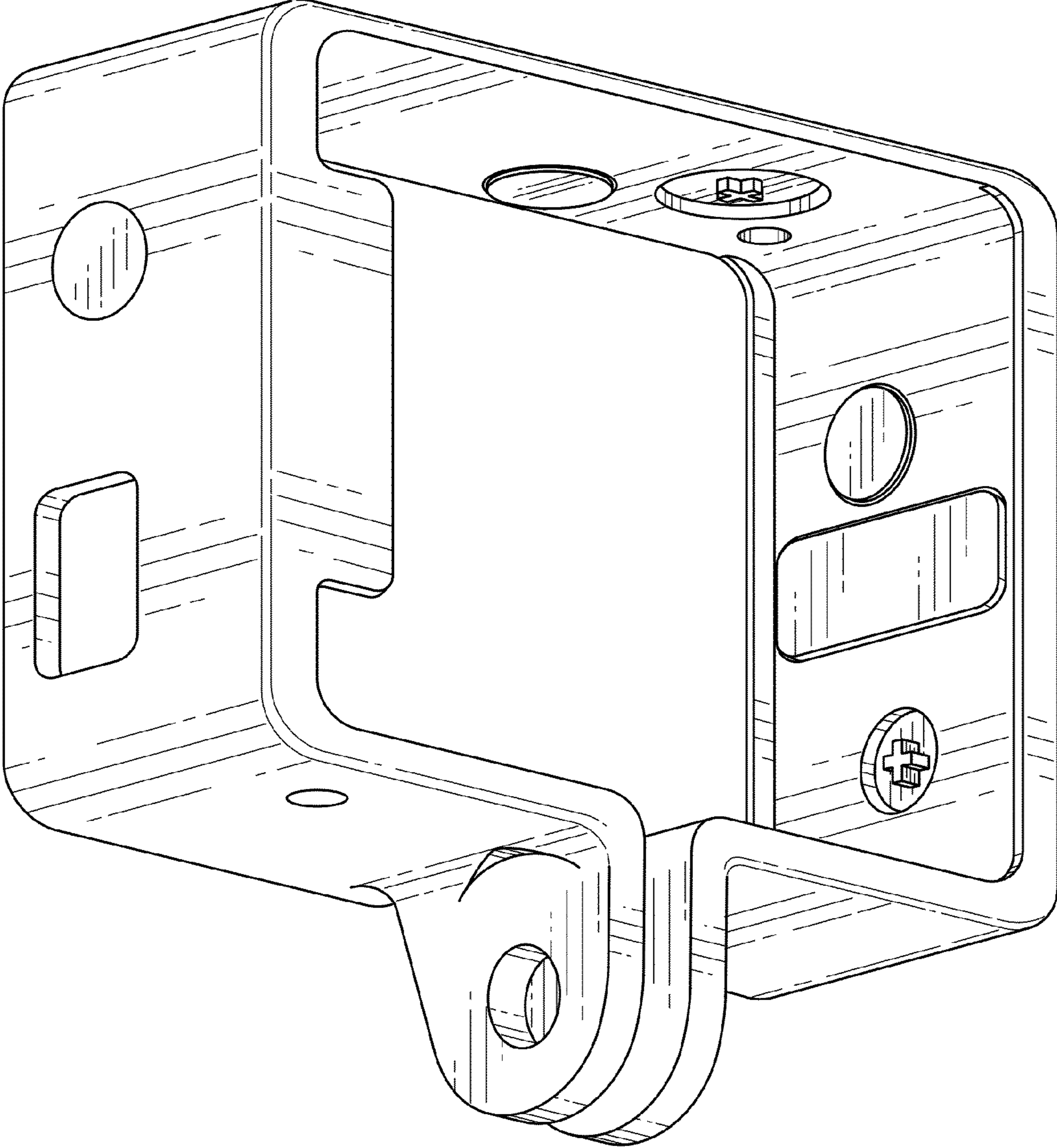


FIG. 2

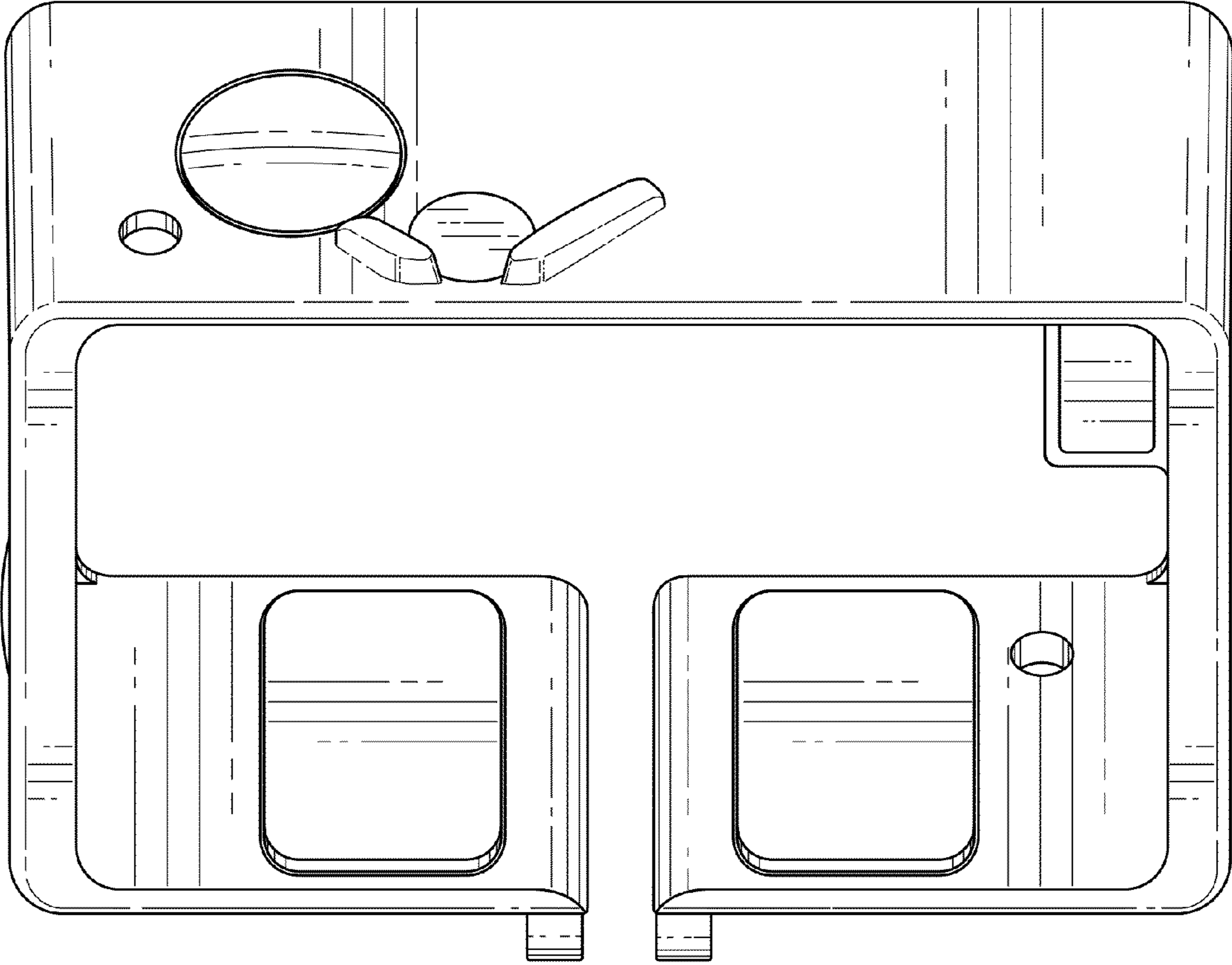


FIG. 3

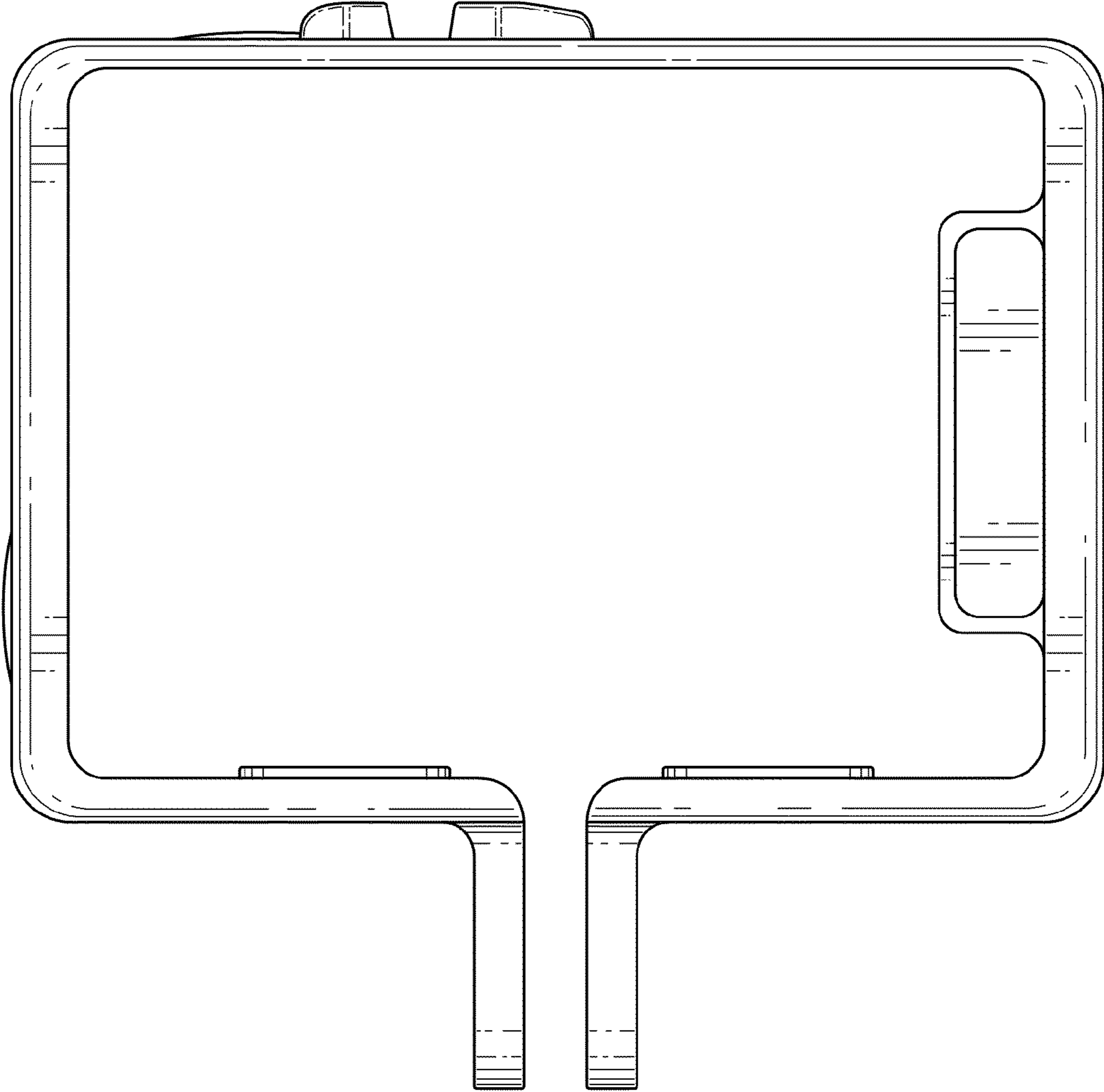


FIG. 4

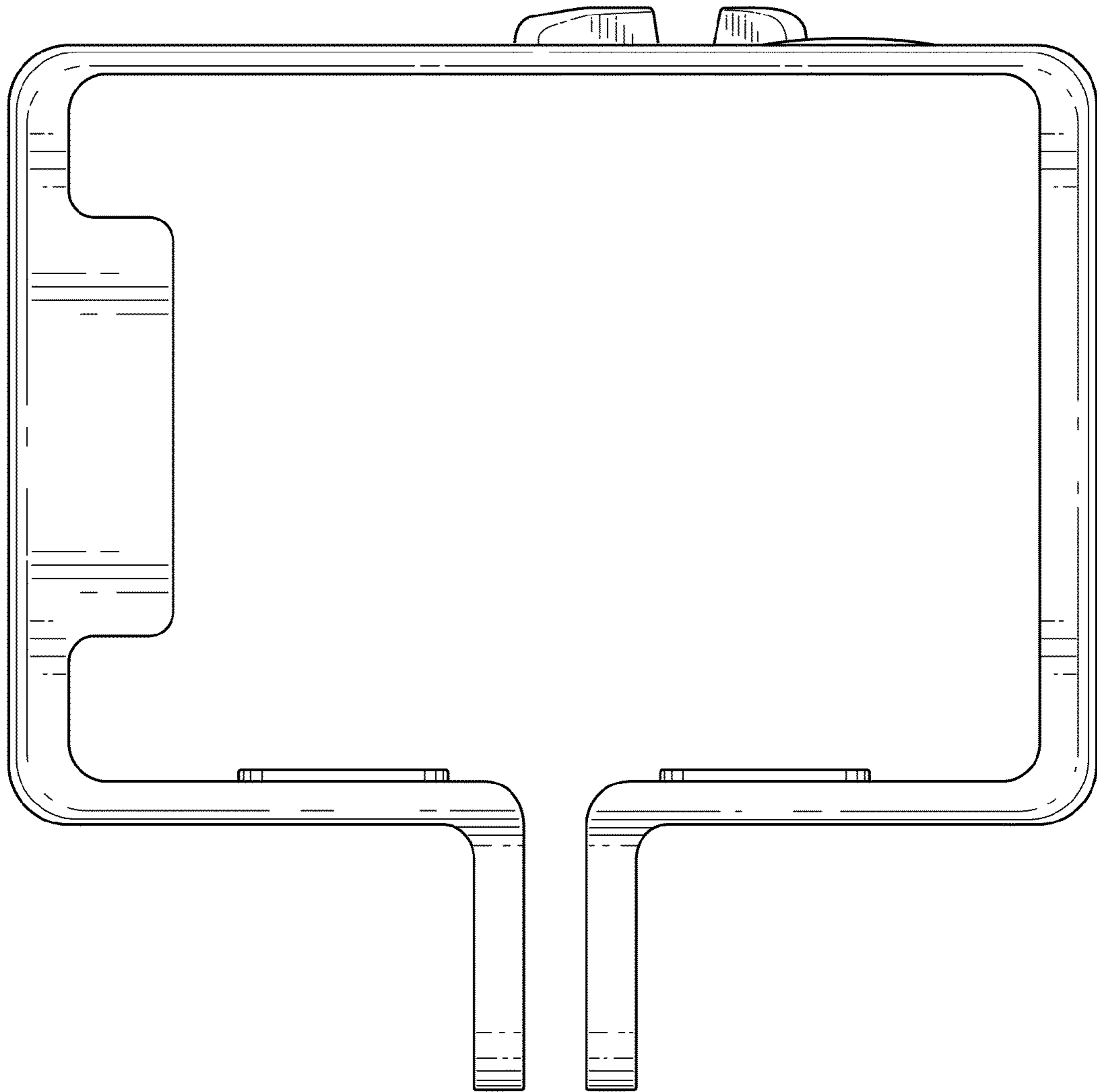


FIG. 5

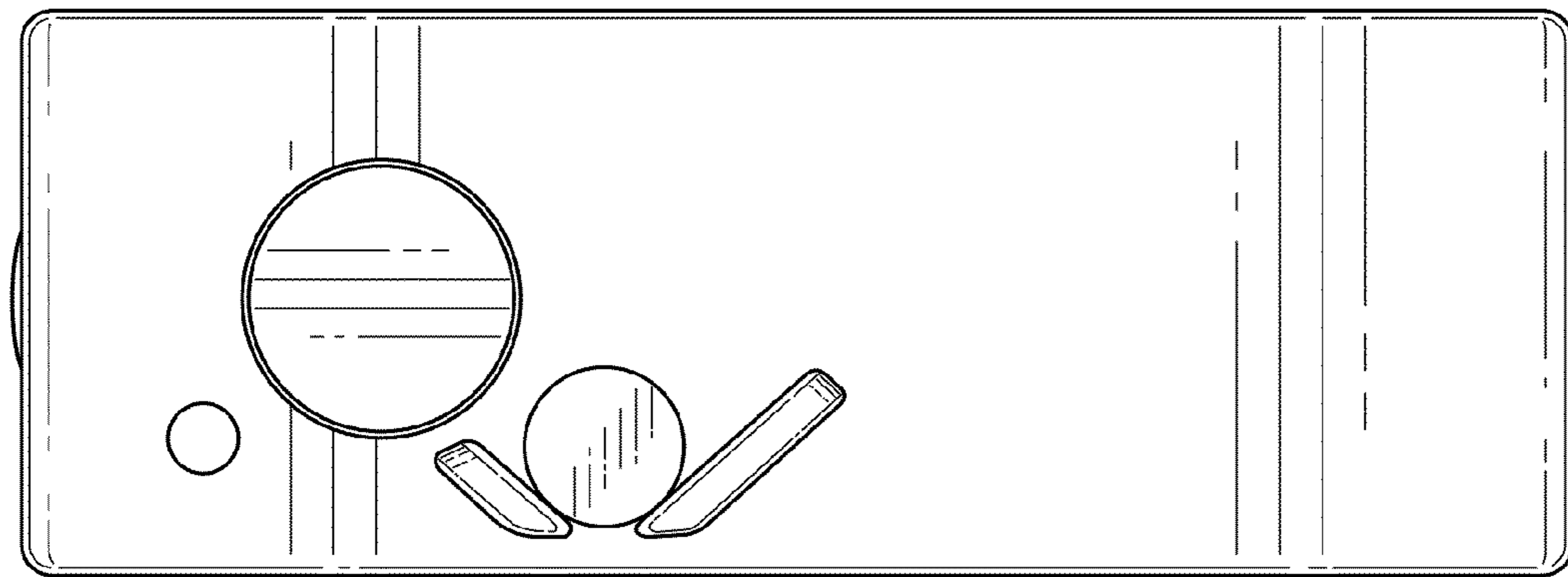


FIG. 6

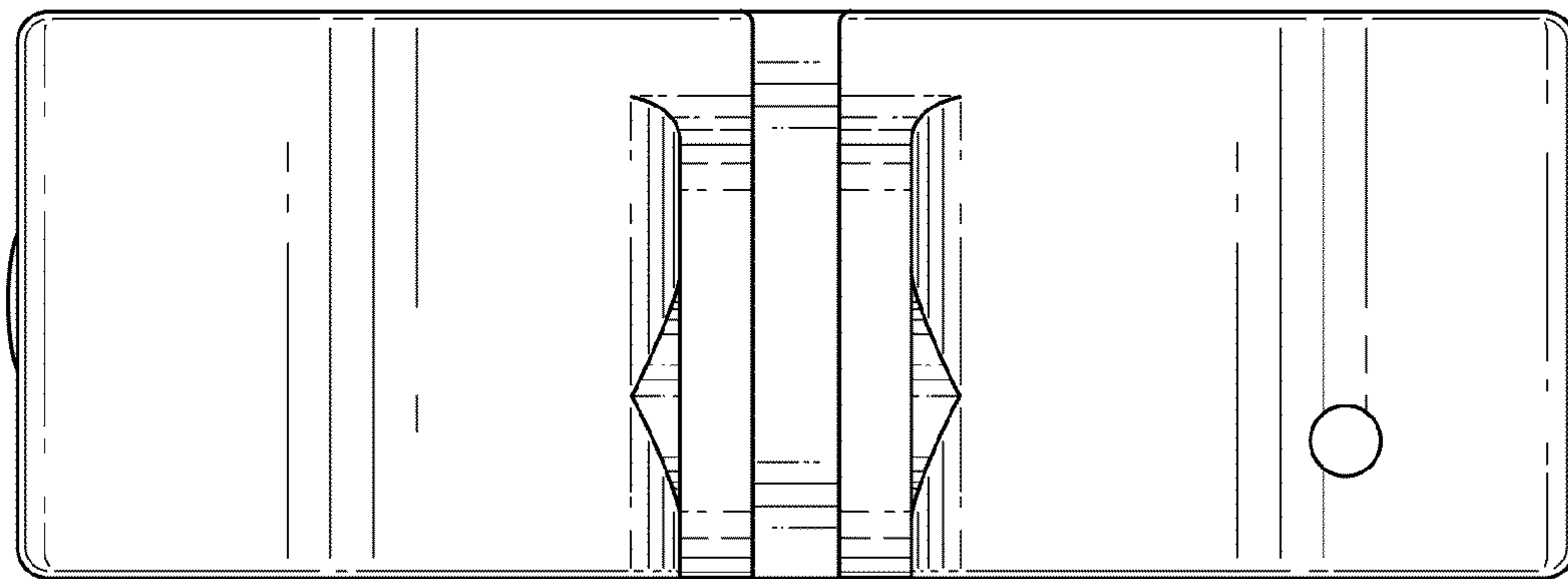


FIG. 7

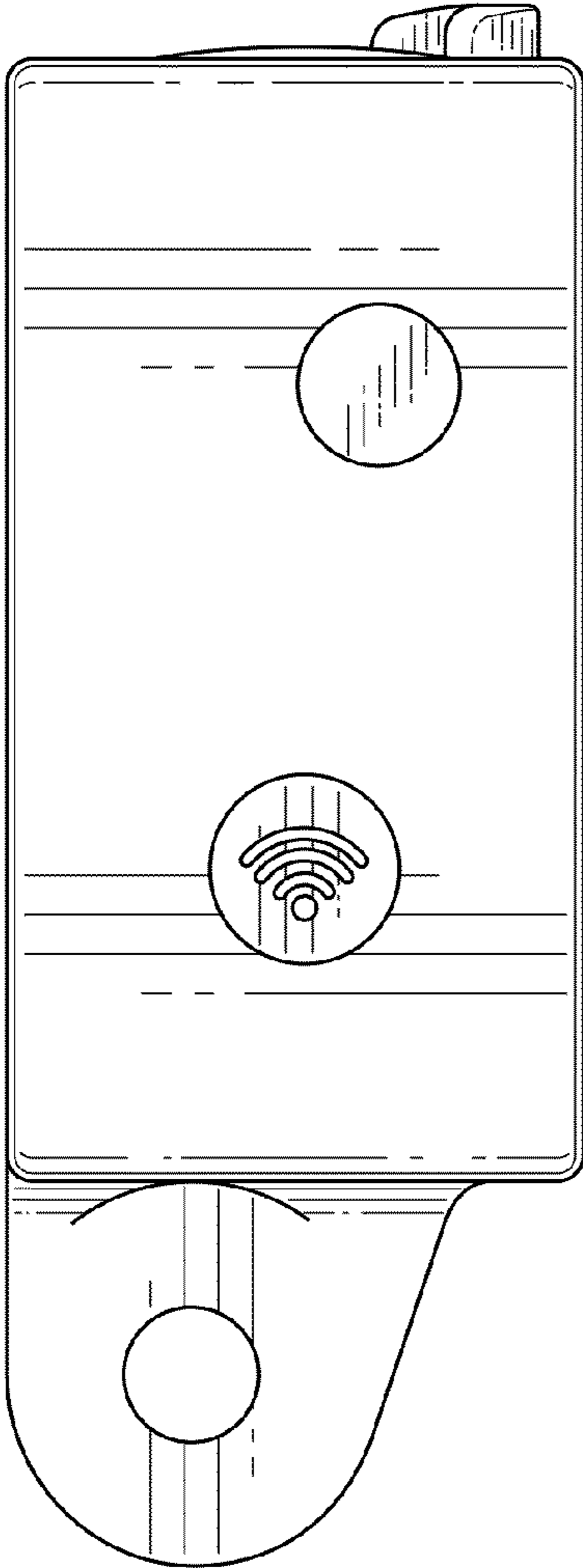


FIG. 8

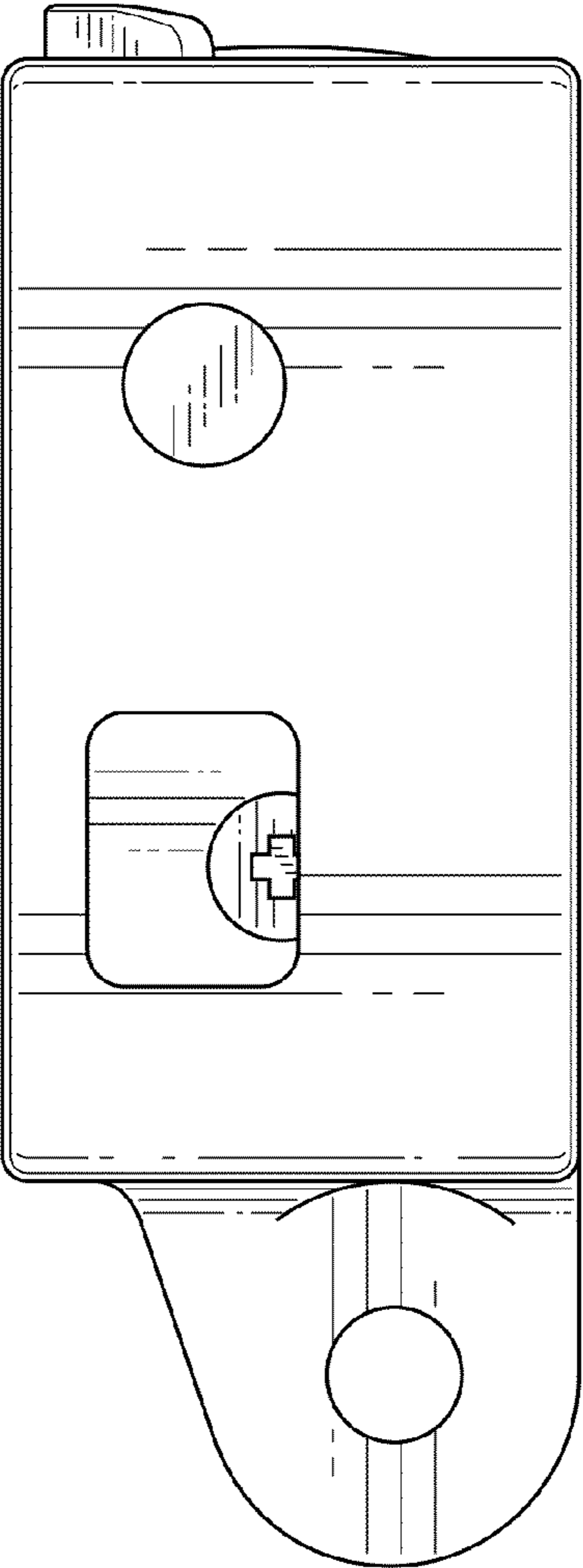


FIG. 9