



US00D699275S

(12) **United States Design Patent**  
**Samuels et al.**

(10) **Patent No.:** **US D699,275 S**  
(45) **Date of Patent:** **\*\* Feb. 11, 2014**

(54) **LENS ADAPTER**

(71) Applicant: **Woodman Labs, Inc.**, San Mateo, CA (US)

(72) Inventors: **Rudy Lucas Samuels**, Mill Valley, CA (US); **Nicholas D. Woodman**, Sausalito, CA (US); **William Drew Atkinson**, San Francisco, CA (US); **Fred Bould**, Menlo Park, CA (US); **Kristen Beck**, San Mateo, CA (US)

(73) Assignee: **Woodman Labs, Inc.**, San Mateo, CA (US)

(\*\*) Term: **14 Years**

(21) Appl. No.: **29/465,284**

(22) Filed: **Aug. 26, 2013**

**Related U.S. Application Data**

(63) Continuation of application No. 29/434,194, filed on Oct. 10, 2012, now Pat. No. Des. 692,472.

(51) **LOC (10) Cl.** ..... **16-06**

(52) **U.S. Cl.**  
USPC ..... **D16/136**

(58) **Field of Classification Search**  
USPC ..... D16/136, 134, 130, 219; 359/808, 819, 359/823, 824, 826, 827; D14/433; D13/154; D10/78; 396/529  
See application file for complete search history.

(56) **References Cited**

**U.S. PATENT DOCUMENTS**

2,294,444	A *	9/1942	Boroughs	.....	40/362
D181,321	S *	10/1957	Stowall	.....	D9/418
3,828,991	A *	8/1974	Moore	.....	224/610
4,281,895	A *	8/1981	Mohr	.....	359/827

D270,063	S *	8/1983	Ackeret	.....	D6/308
4,408,830	A *	10/1983	Wutherich	.....	359/813
D275,766	S *	10/1984	Suzuki	.....	D16/134
4,929,056	A *	5/1990	Leib et al.	.....	359/896
5,040,011	A *	8/1991	Tiffen	.....	396/544
5,050,963	A *	9/1991	Murakami	.....	359/808
D328,909	S *	8/1992	Sakurai	.....	D16/135
5,530,547	A *	6/1996	Arnold	.....	356/458
5,764,312	A *	6/1998	Okumura	.....	348/785
5,781,351	A *	7/1998	Murakami et al.	.....	359/808
5,831,777	A *	11/1998	Iwasa	.....	359/826
D404,197	S *	1/1999	Dobbins	.....	D3/230
5,982,565	A *	11/1999	Nomura et al.	.....	359/819
6,011,661	A *	1/2000	Weng	.....	359/819
6,172,822	B1 *	1/2001	Belliveau et al.	.....	359/819
6,480,346	B2 *	11/2002	Funakoshi	.....	359/808
D491,211	S *	6/2004	Giampavolo et al.	.....	D16/135

(Continued)

*Primary Examiner* — Paula Greene

(74) *Attorney, Agent, or Firm* — Fenwick & West LLP

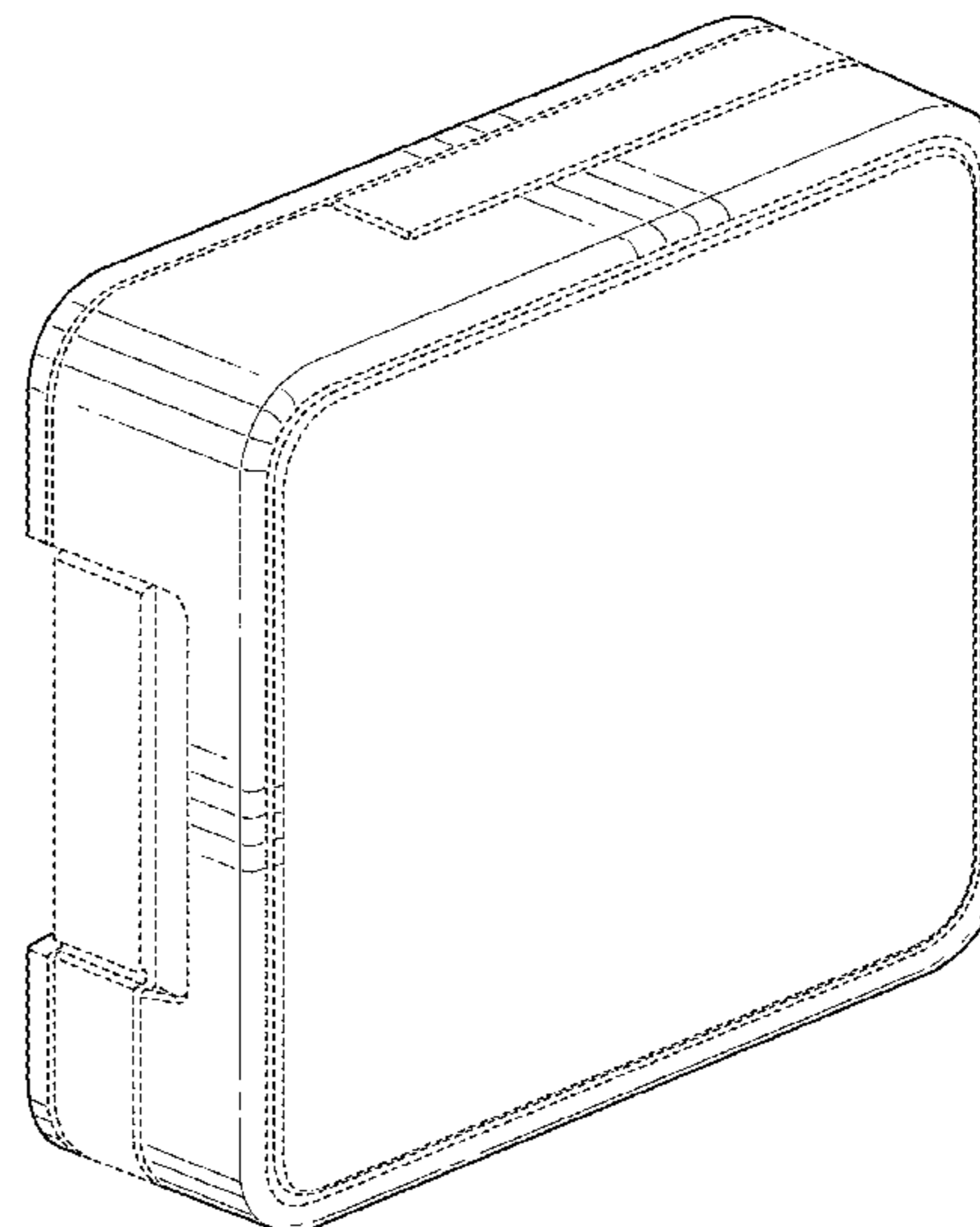
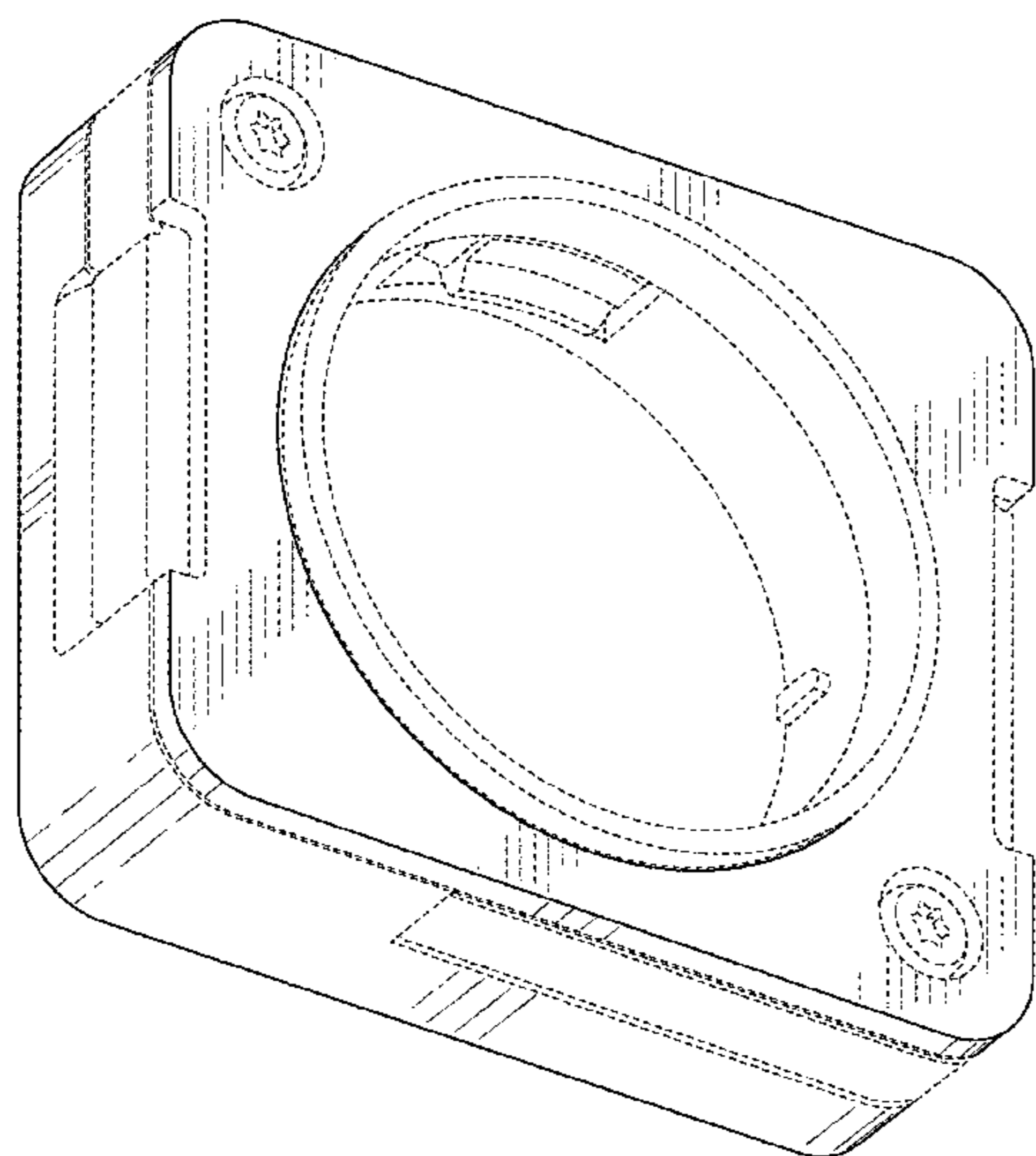
(57) **CLAIM**

The ornamental design for a lens adapter, as shown and described.

**DESCRIPTION**

FIG. 1 is a front, top, and right side perspective view of a lens adapter showing our new design;  
FIG. 2 is a front, bottom and left side perspective view thereof;  
FIG. 3 is a rear, top and right side perspective view thereof;  
FIG. 4 is a front elevational view thereof;  
FIG. 5 is a rear elevational view thereof;  
FIG. 6 is a top plan view thereof;  
FIG. 7 is a bottom plan view thereof;  
FIG. 8 is a right side elevational view thereof; and,  
FIG. 9 is a left side elevational view thereof.  
The broken lines in the drawings showing portions of the lens adapter are included for the purpose of illustrating environmental structure and form no part of the claimed design.

**1 Claim, 7 Drawing Sheets**



(56)

**References Cited**

U.S. PATENT DOCUMENTS

D499,091	S	*	11/2004	Taylor et al.	.....	D14/252	7,706,088	B2	*	4/2010	Chung	.....	359/823
D526,340	S	*	8/2006	Hodgson	.....	D16/135	D637,218	S	*	5/2011	Shih et al.	.....	D16/130
D537,462	S	*	2/2007	Tokiwa et al.	.....	D16/219	D640,580	S	*	6/2011	Bibeau et al.	.....	D10/78
D546,863	S	*	7/2007	Ito et al.	.....	D16/219	8,000,589	B2	*	8/2011	Chan	.....	396/27
D560,702	S	*	1/2008	Tokiwa et al.	.....	D16/208	D686,265	S	*	7/2013	O'Neill et al.	.....	D16/134
							D687,876	S	*	8/2013	Backus	.....	D16/219
							D692,472	S	*	10/2013	Samuels et al.	.....	D16/136

\* cited by examiner

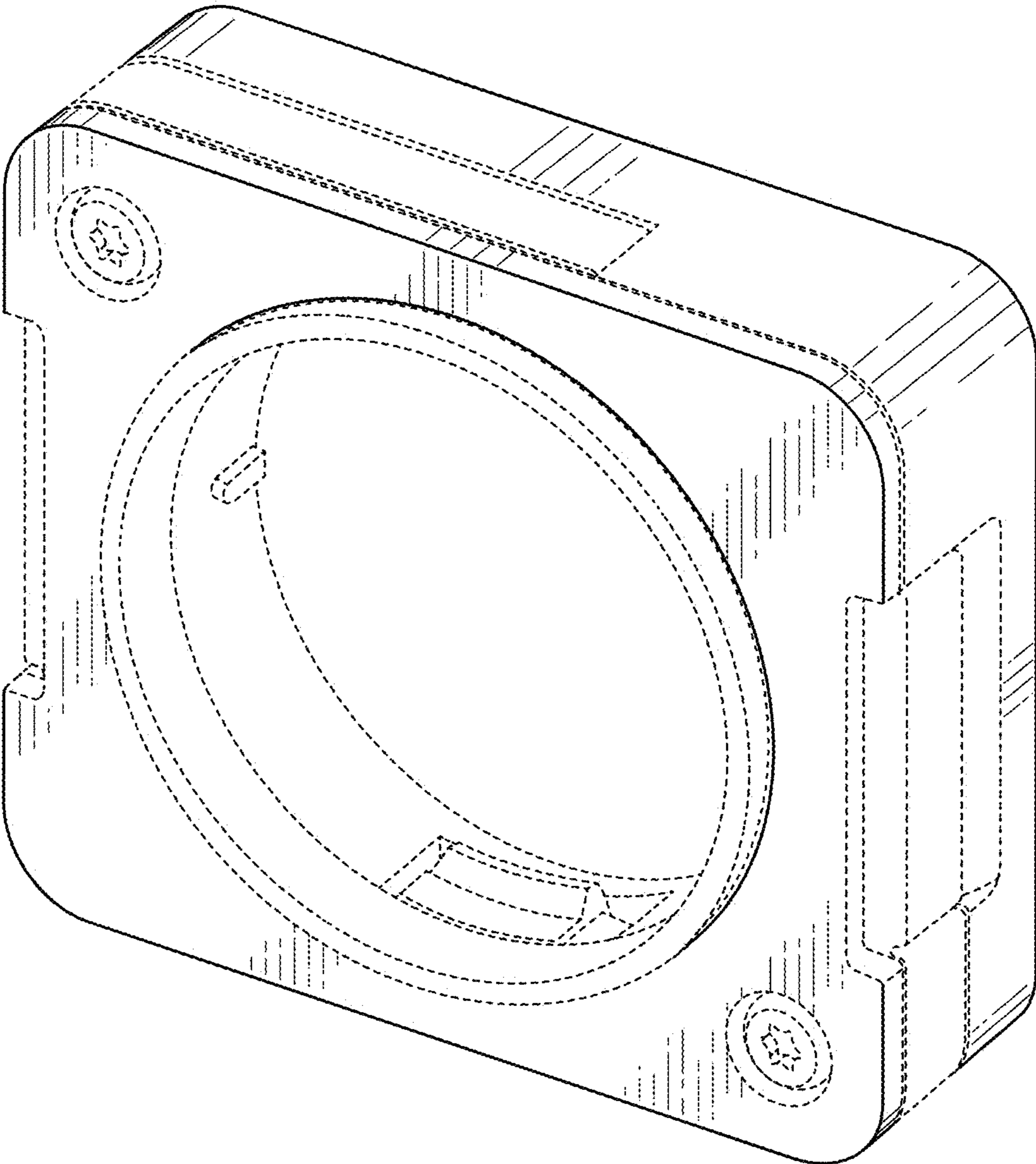


FIG. 1

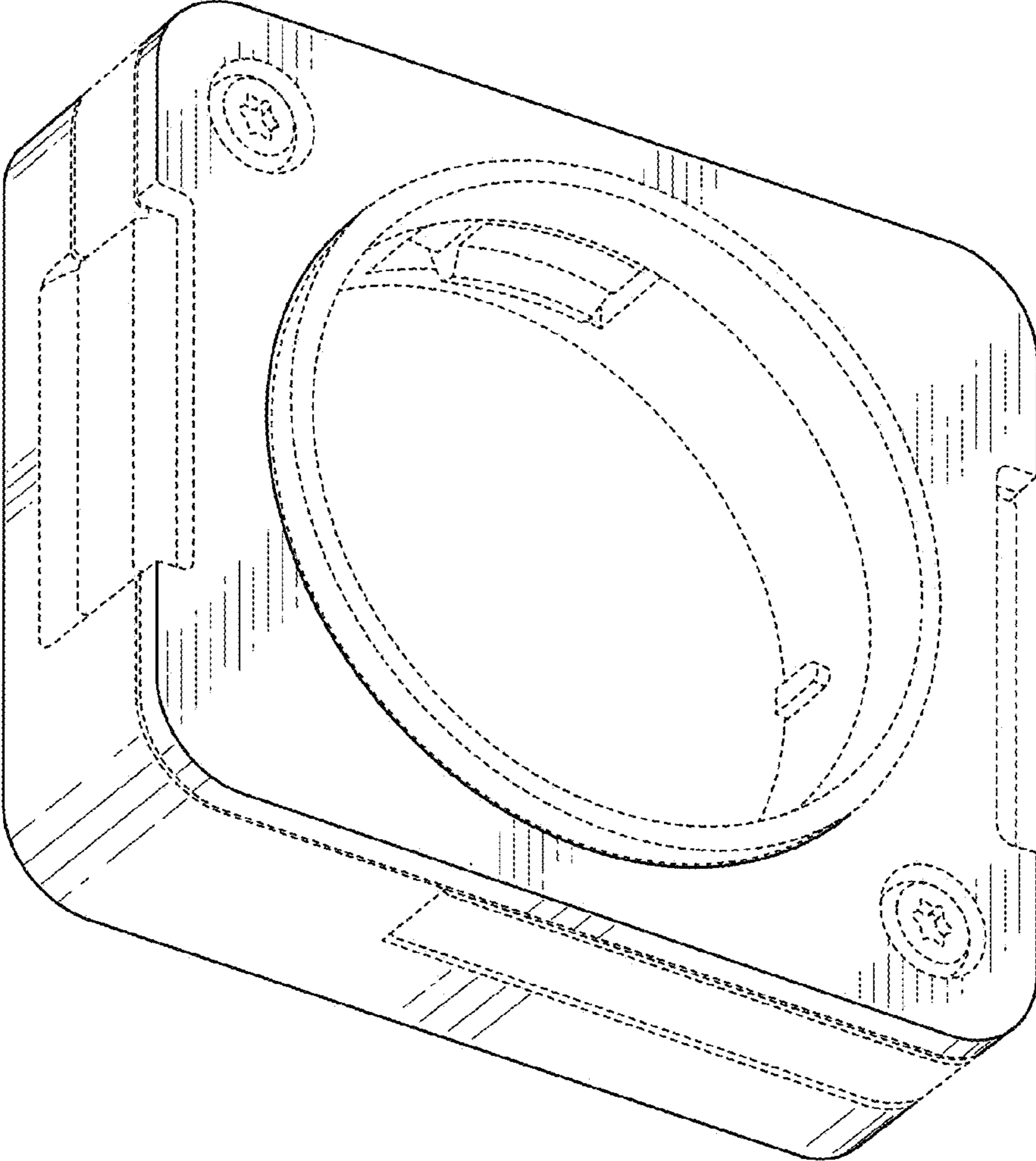


FIG. 2



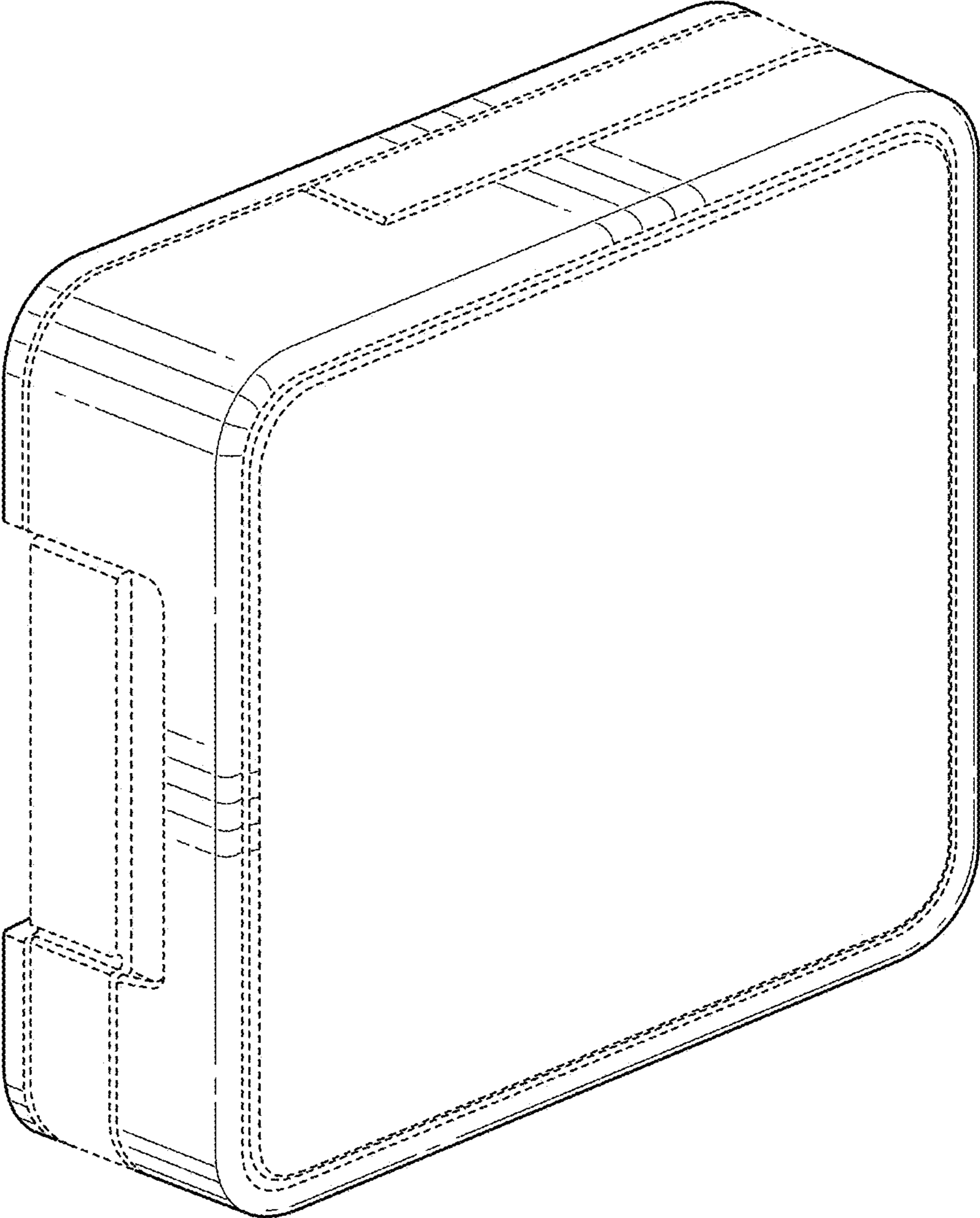


FIG. 3

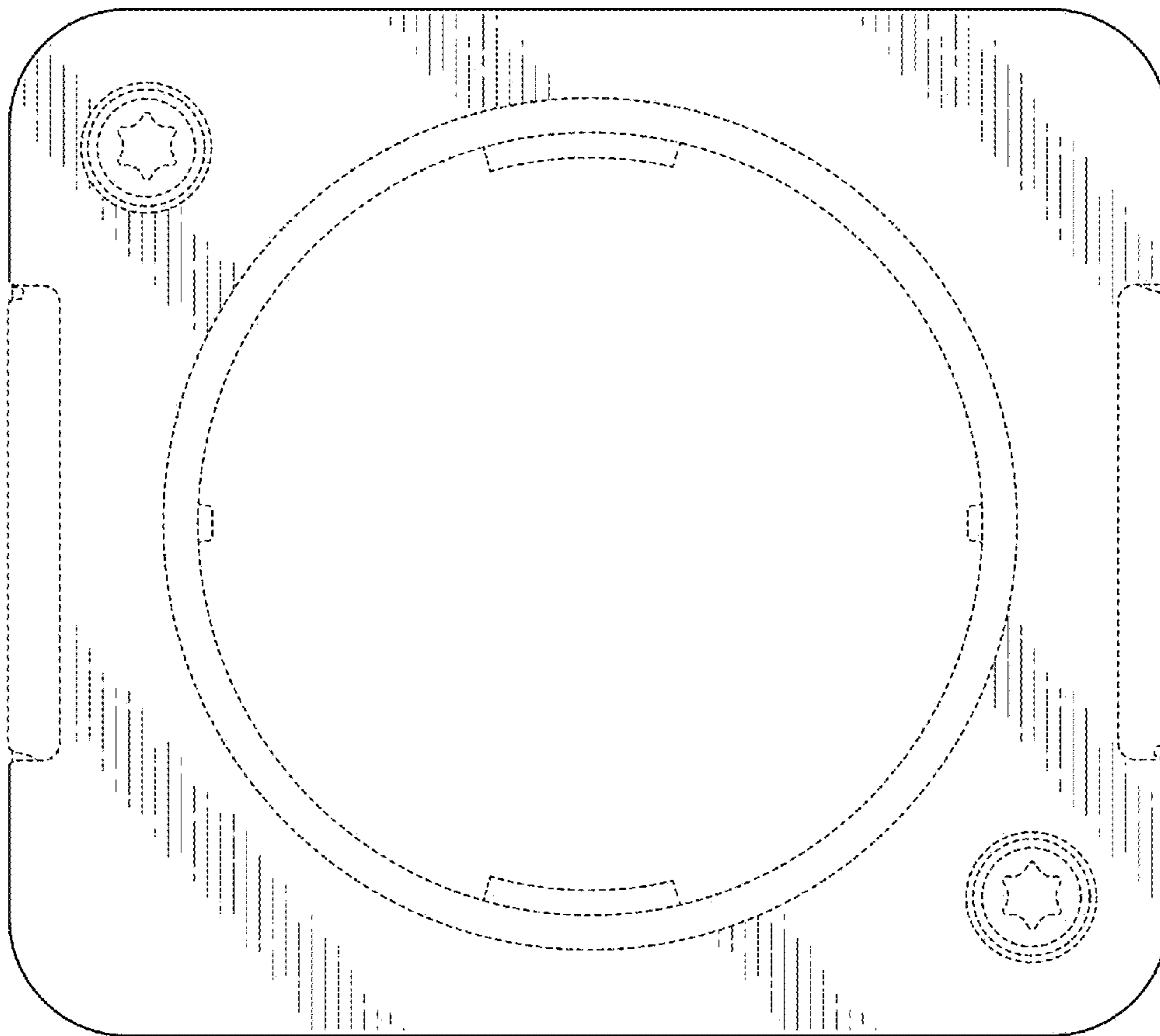


FIG. 4

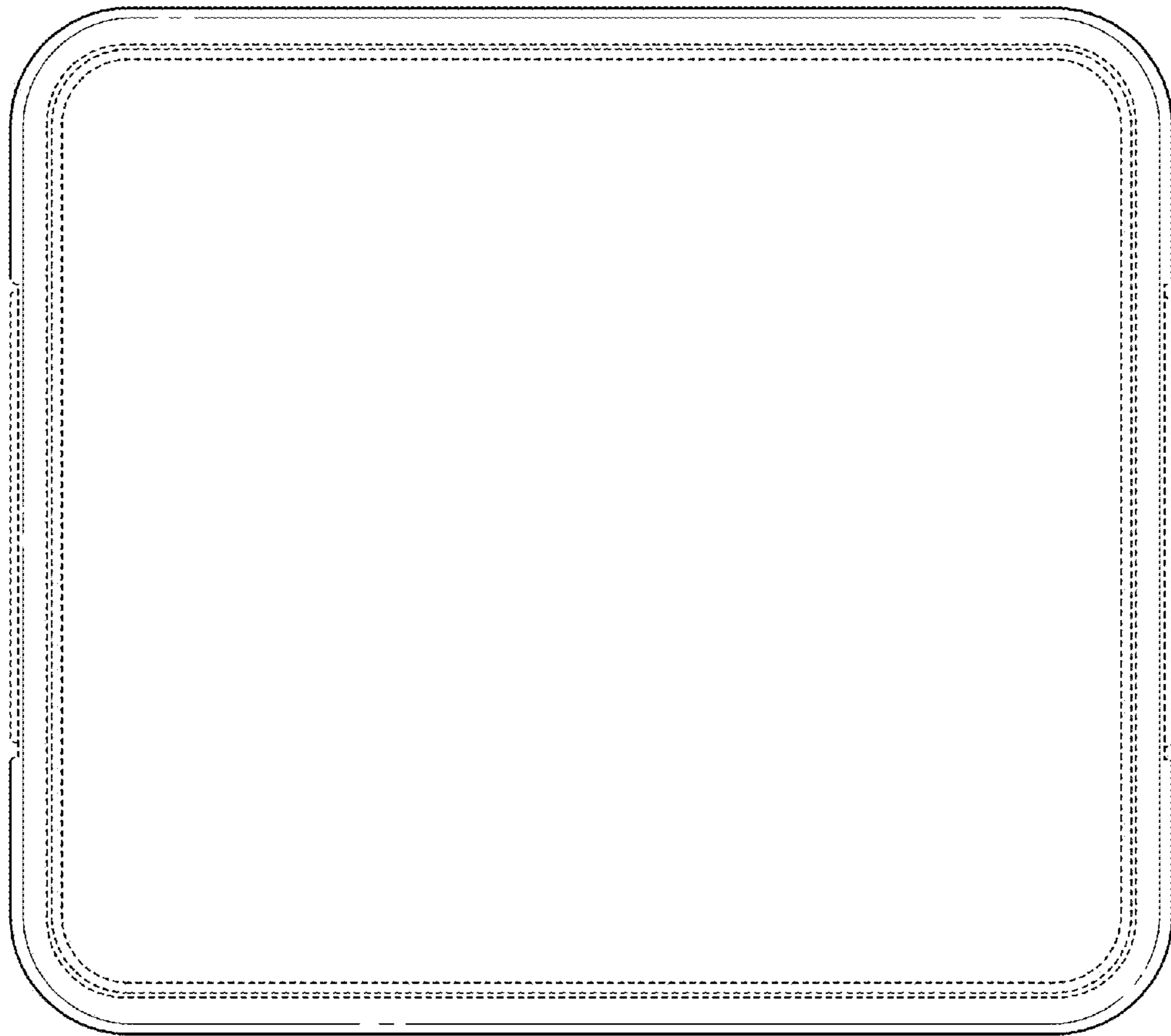


FIG. 5

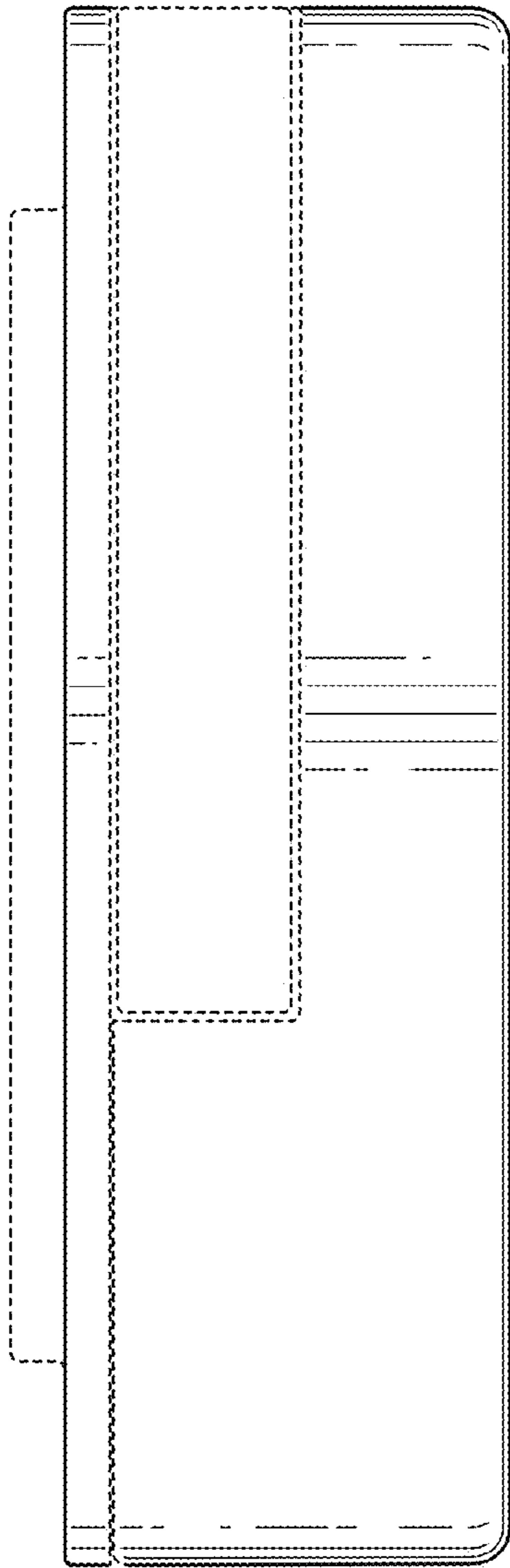


FIG. 6

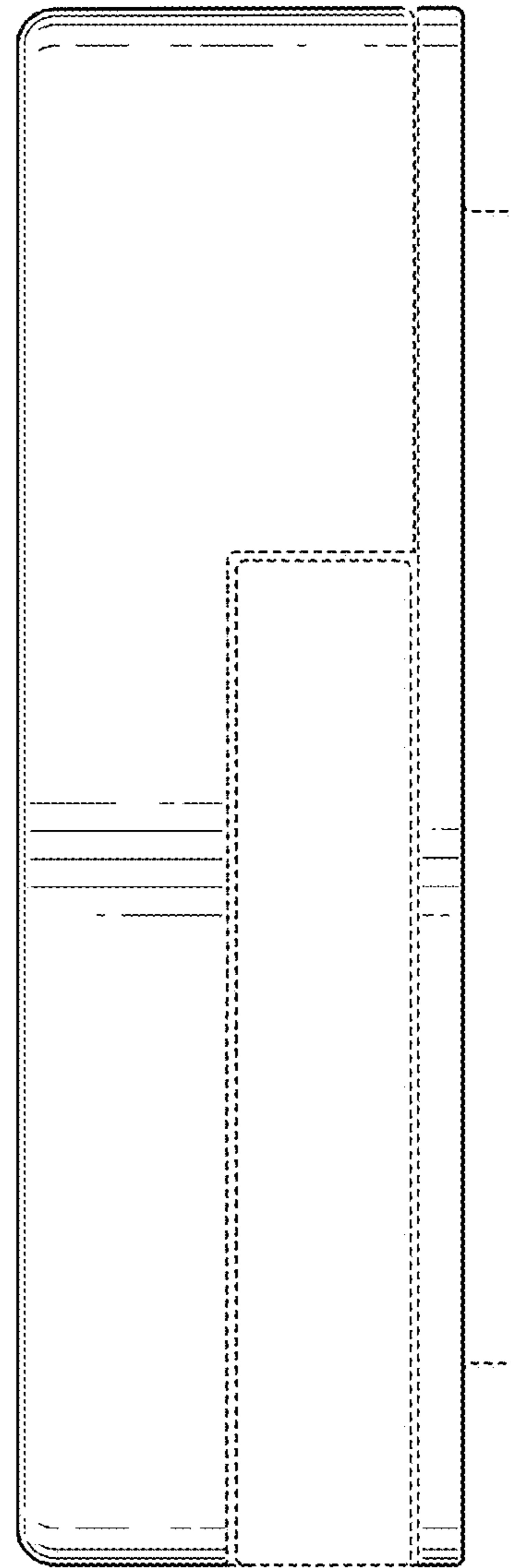


FIG. 7



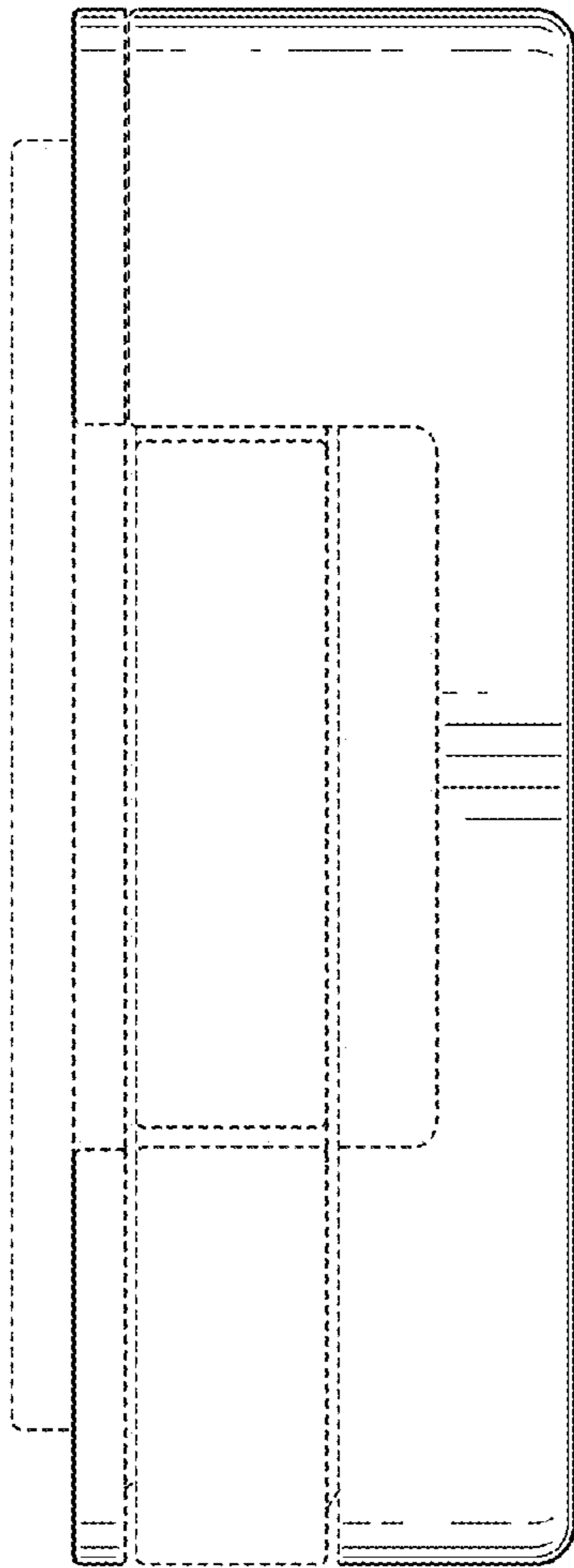


FIG. 8

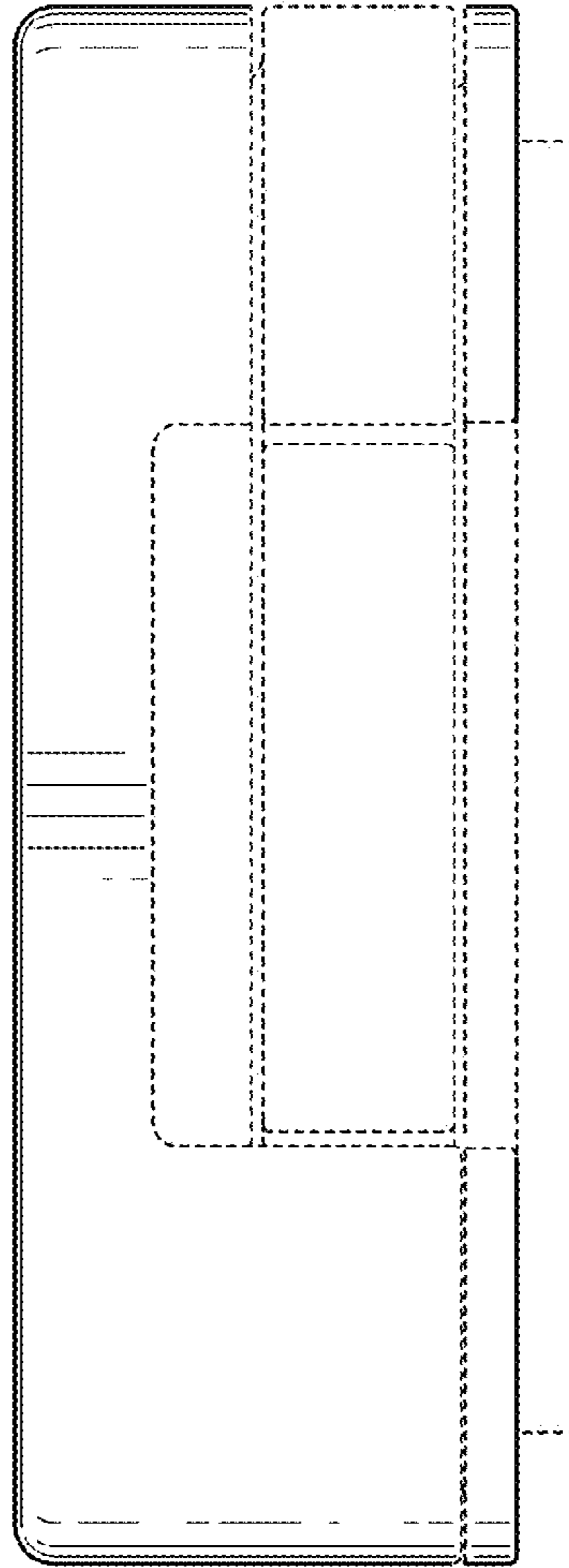


FIG. 9