

US00D699273S

(12) **United States Design Patent**
Taylor et al.

(10) **Patent No.:** **US D699,273 S**

(45) **Date of Patent:** **** Feb. 11, 2014**

(54) **AGITATOR FITTING ASSEMBLY WITH BUSHING**

(71) Applicant: **Greif International Holding BV**,
Vreeland (NL)

(72) Inventors: **Dale W. Taylor**, Hamilton, IN (US);
Steven J. Talaga, South Elgin, IL (US)

(73) Assignee: **Greif International Holding BV**,
Vreeland (NL)

(**) Term: **14 Years**

(21) Appl. No.: **29/461,755**

(22) Filed: **Jul. 26, 2013**

Related U.S. Application Data

(63) Continuation of application No. 29/443,782, filed on
Jan. 22, 2013.

(51) **LOC (10) Cl.** **15-09**

(52) **U.S. Cl.**
USPC **D15/143**

(58) **Field of Classification Search**
USPC D15/143; D23/265; 277/348, 408, 511,
277/516, 548, 585, 914, 930; 285/23, 190,
285/328

See application file for complete search history.

(56) **References Cited**

U.S. PATENT DOCUMENTS

4,693,710 A * 9/1987 McCool 604/533
4,983,064 A * 1/1991 Kawaguchi et al. 403/30

5,003,838 A * 4/1991 Pospisil et al. 74/502.4
7,204,524 B2 * 4/2007 Eccleston 285/258
2004/0245774 A1 * 12/2004 Eccleston 285/222.1
2006/0107452 A1 * 5/2006 Fort et al. 4/507
2011/0174838 A1 * 7/2011 Schroeder 222/144.5
2011/0290949 A1 * 12/2011 Trouve et al. 248/65
2011/0302762 A1 * 12/2011 Williams et al. 29/428
2012/0049509 A1 * 3/2012 Lininger et al. 285/93
2012/0319400 A1 * 12/2012 Ford et al. 285/354
2012/0326431 A1 * 12/2012 Irwin et al. 285/45
2013/0118629 A1 * 5/2013 Mezzalana 138/109
2013/0175795 A1 * 7/2013 Taylor et al. 285/45

* cited by examiner

Primary Examiner — Patricia Palasik

(74) *Attorney, Agent, or Firm* — Baker Hostetler LLP

(57) **CLAIM**

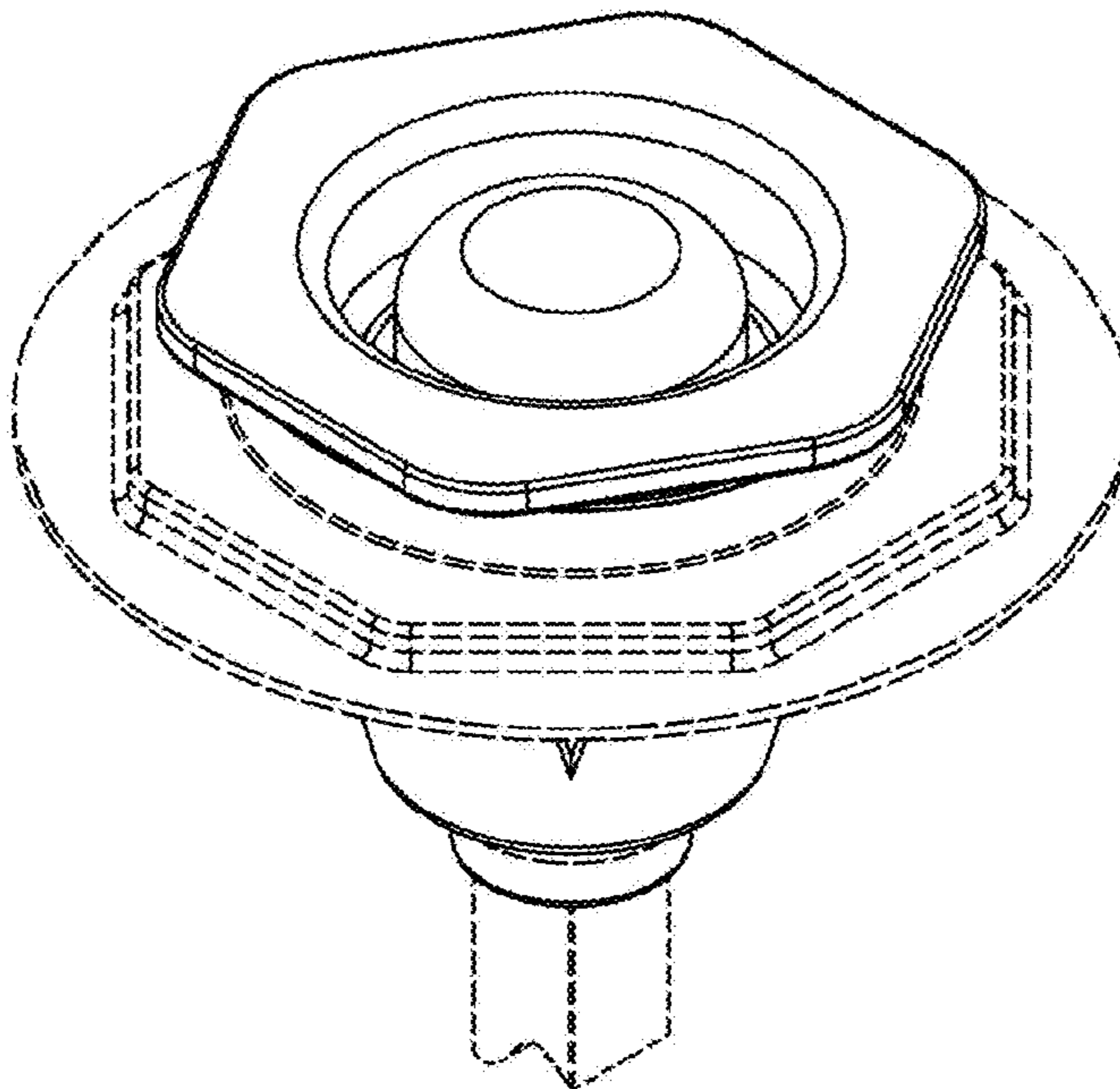
The ornamental design for an agitator fitting assembly with bushing, as shown and described.

DESCRIPTION

FIG. 1 is a top, perspective view of the agitator fitting assembly with bushing showing our new design;
FIG. 2 is a bottom, perspective view thereof;
FIG. 3 is a top view thereof;
FIG. 4 is a bottom view thereof;
FIG. 5 is a side view thereof;
FIG. 6 is a front view thereof;
FIG. 7 is a cross-section thereof along the plane of lines 7-7 of FIG. 3; and,
FIG. 8 is a cross-section thereof along the plane of lines 8-8 of FIG. 3.

The broken lines included in the drawings are for illustrative purposes and form no part of the claimed design.

1 Claim, 5 Drawing Sheets



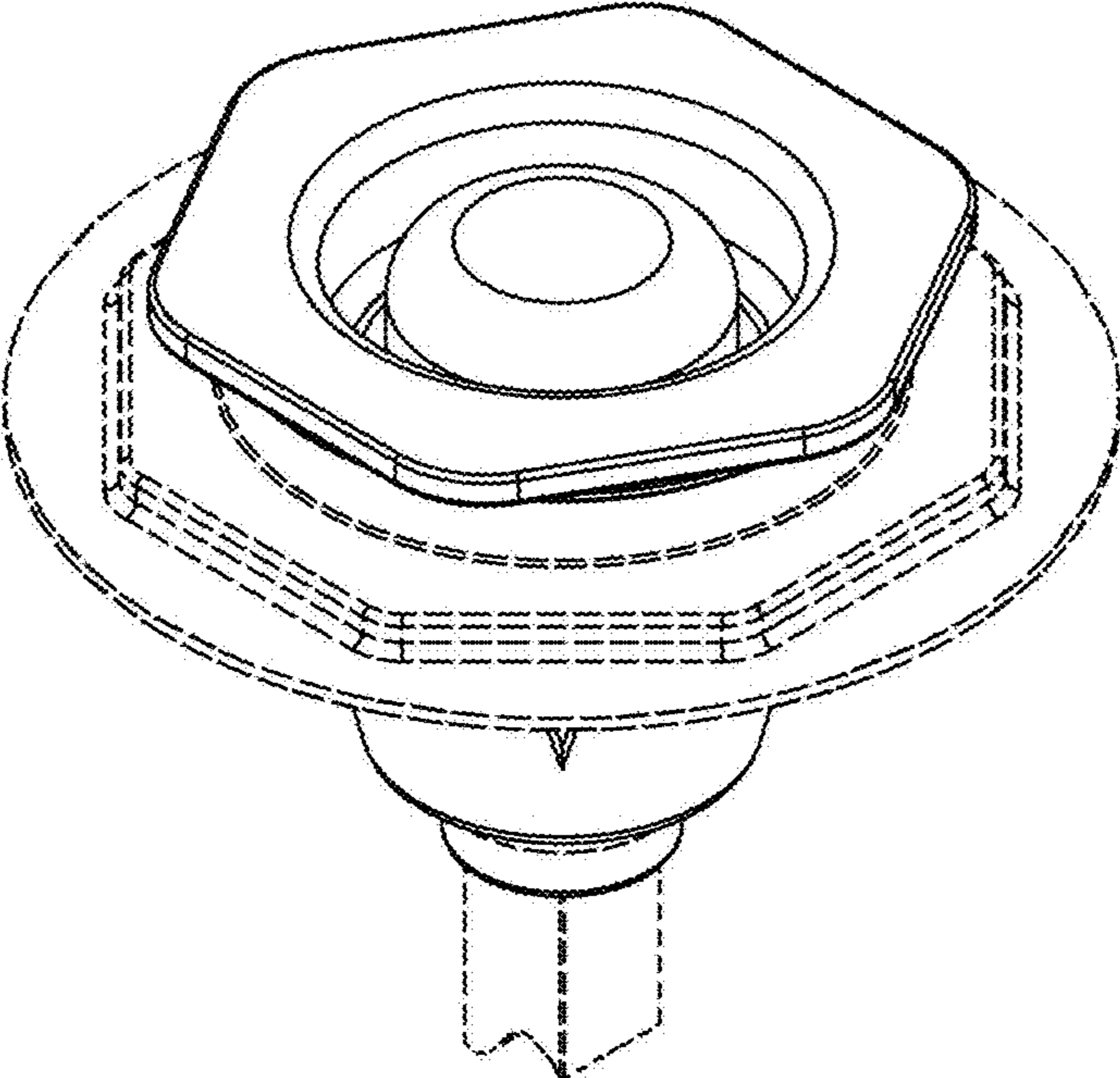


FIG. 1

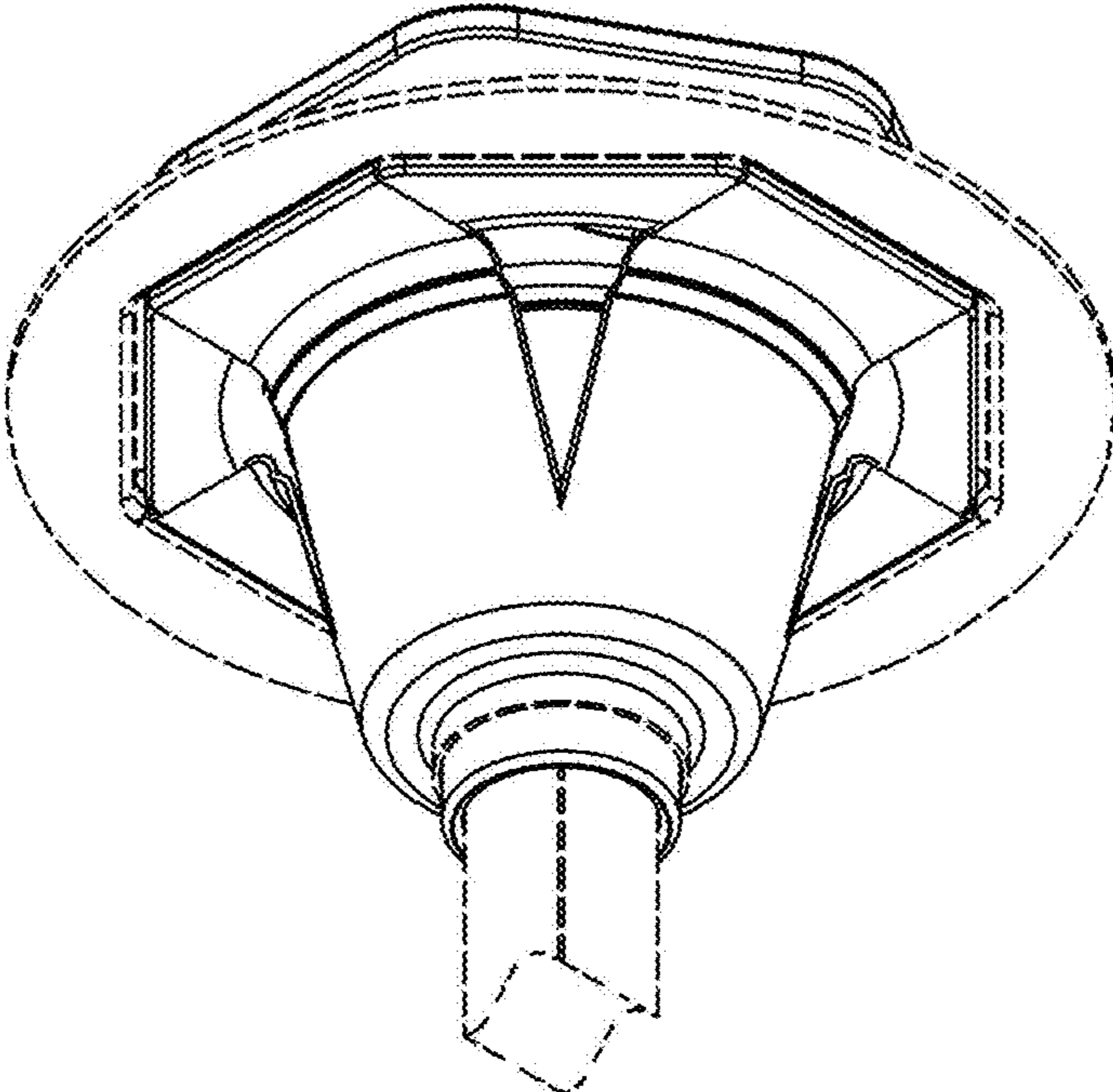


FIG. 2

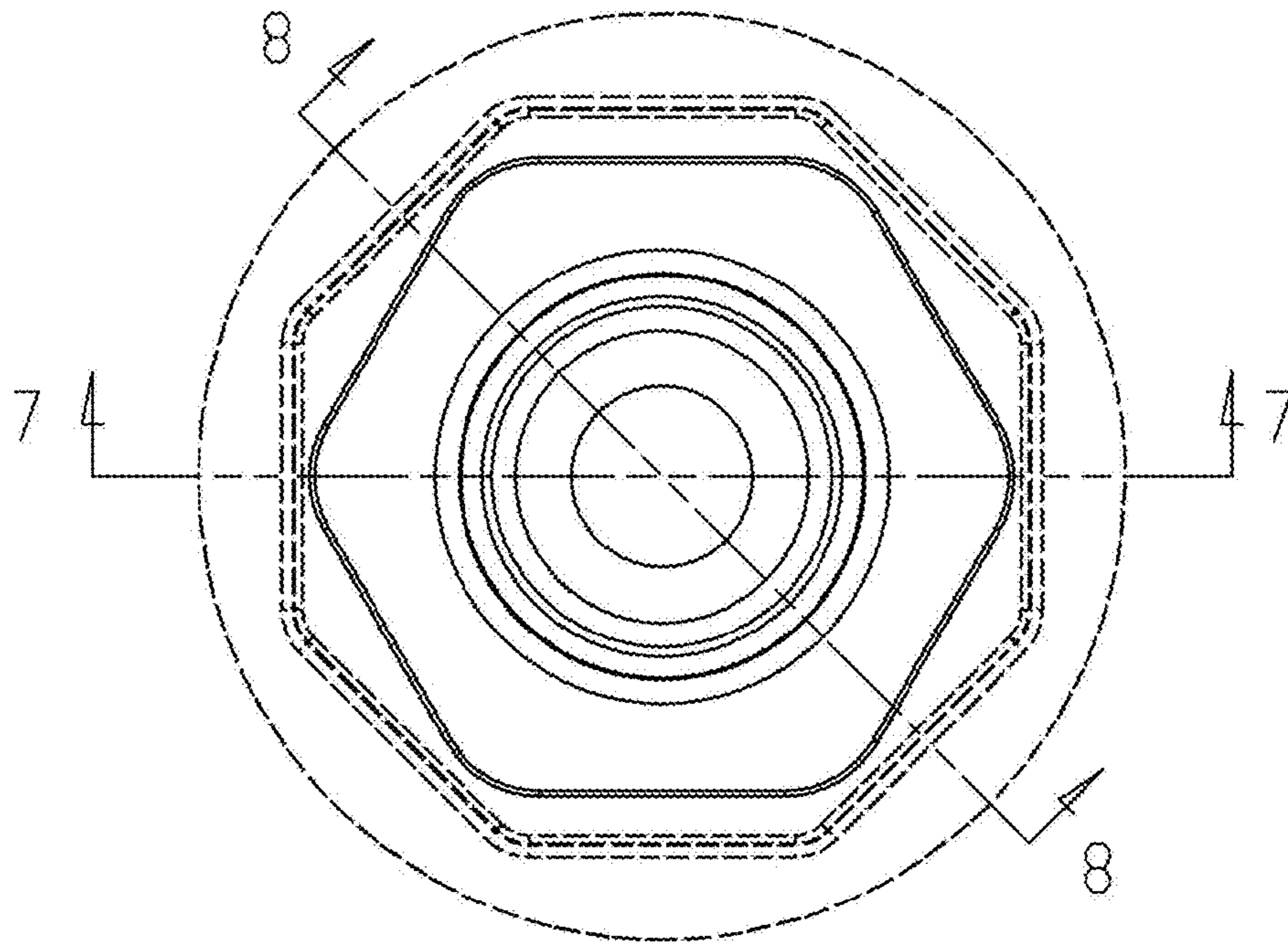


FIG. 3

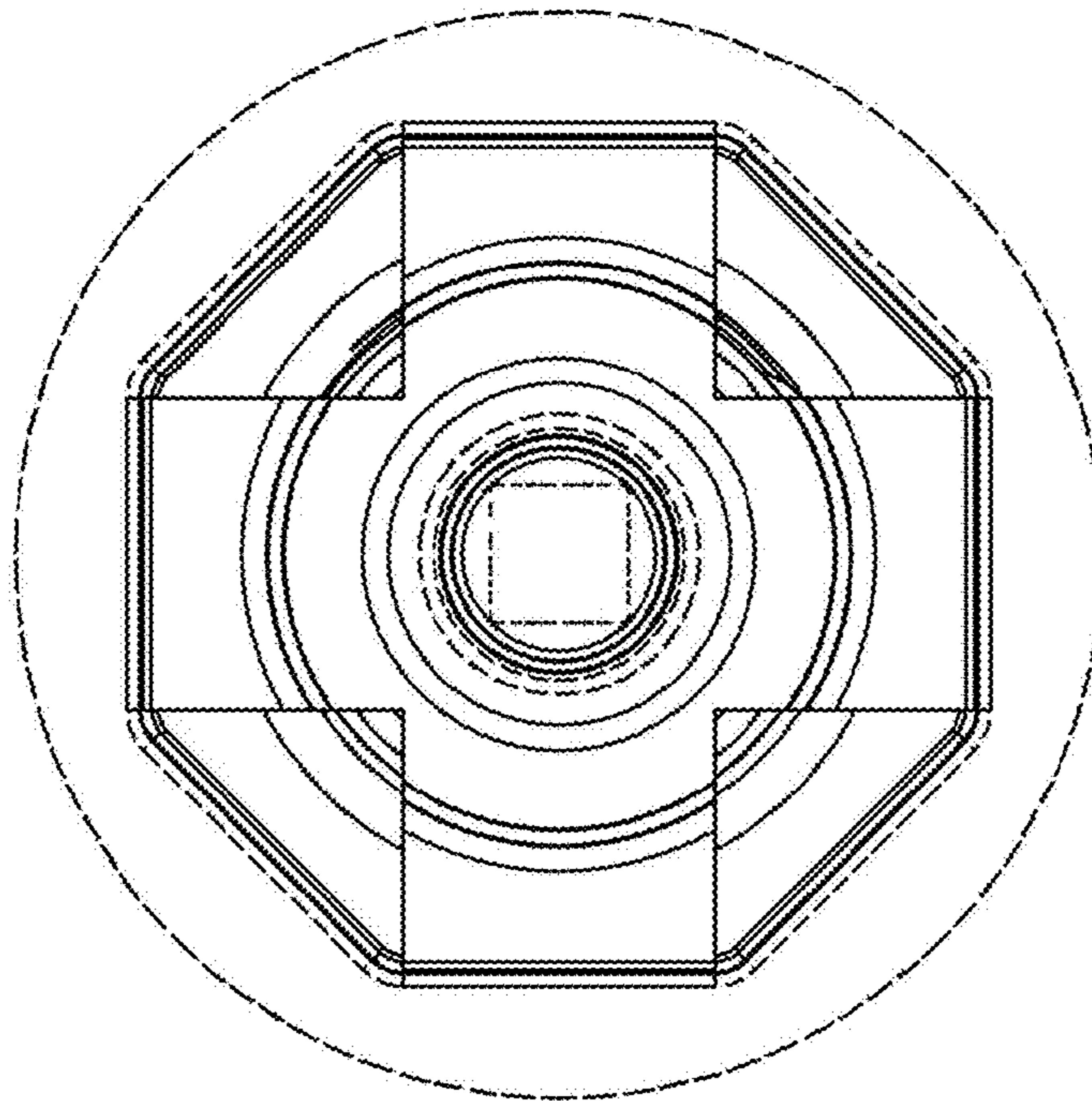


FIG. 4

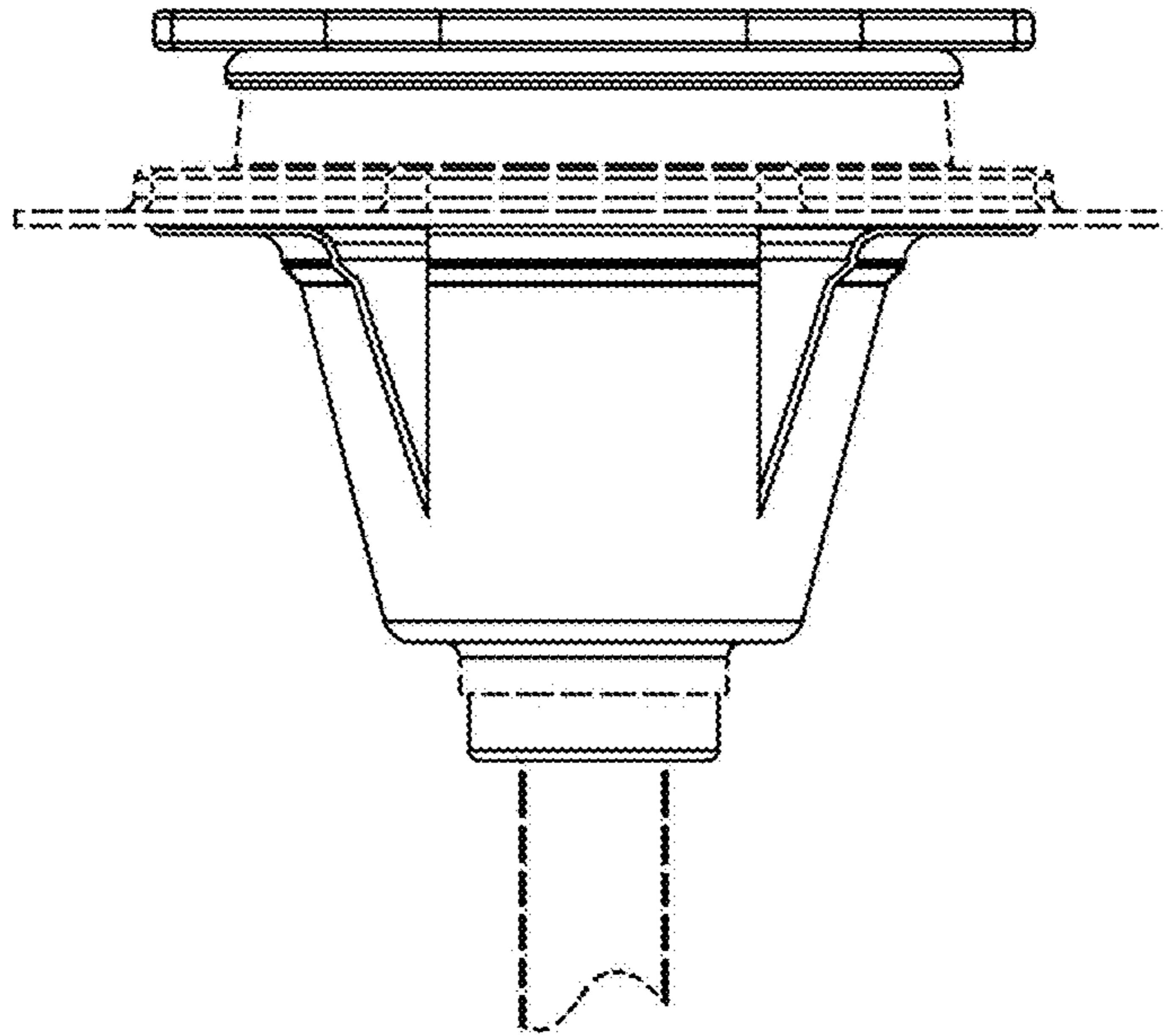


FIG. 5

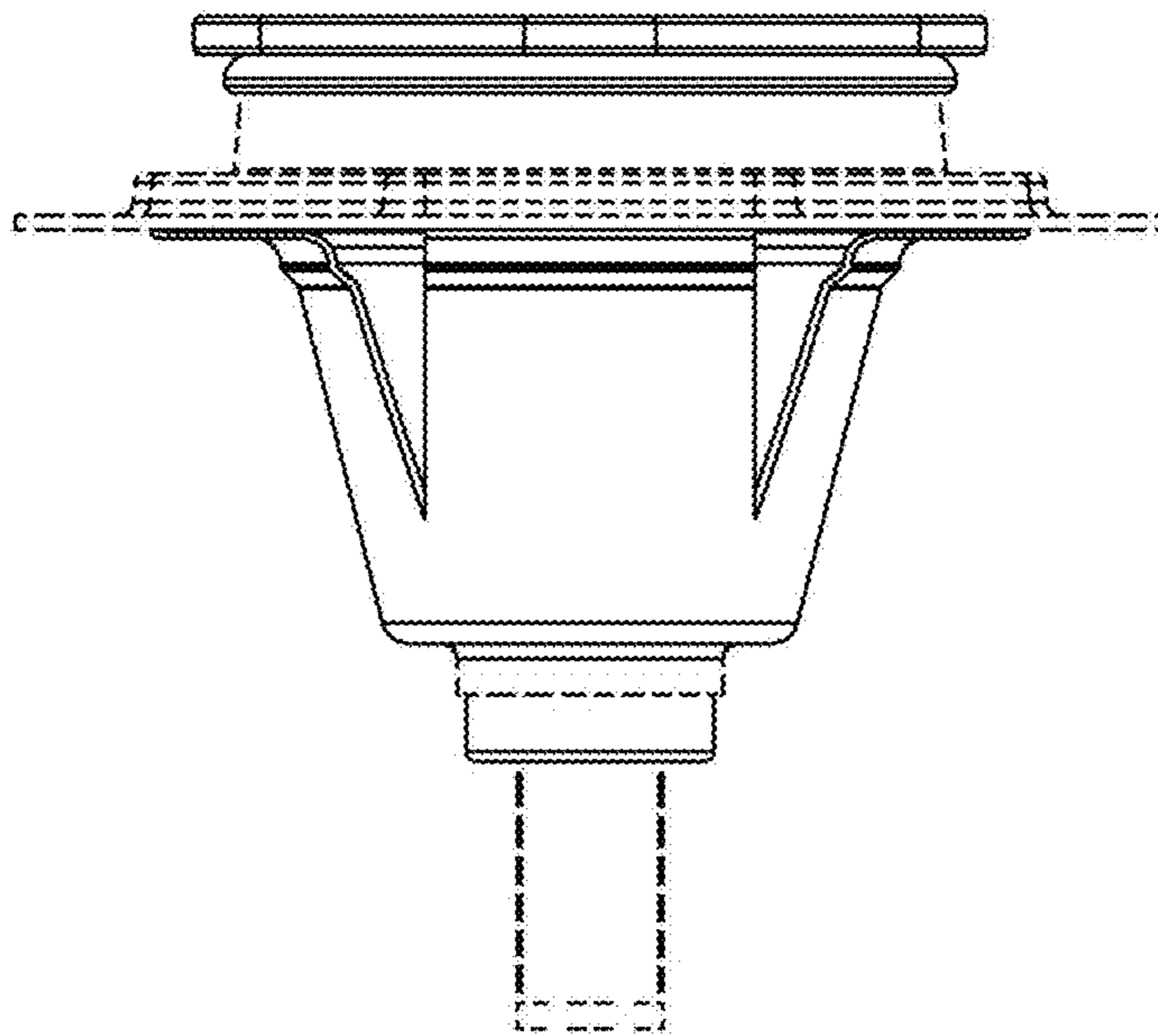


FIG. 6

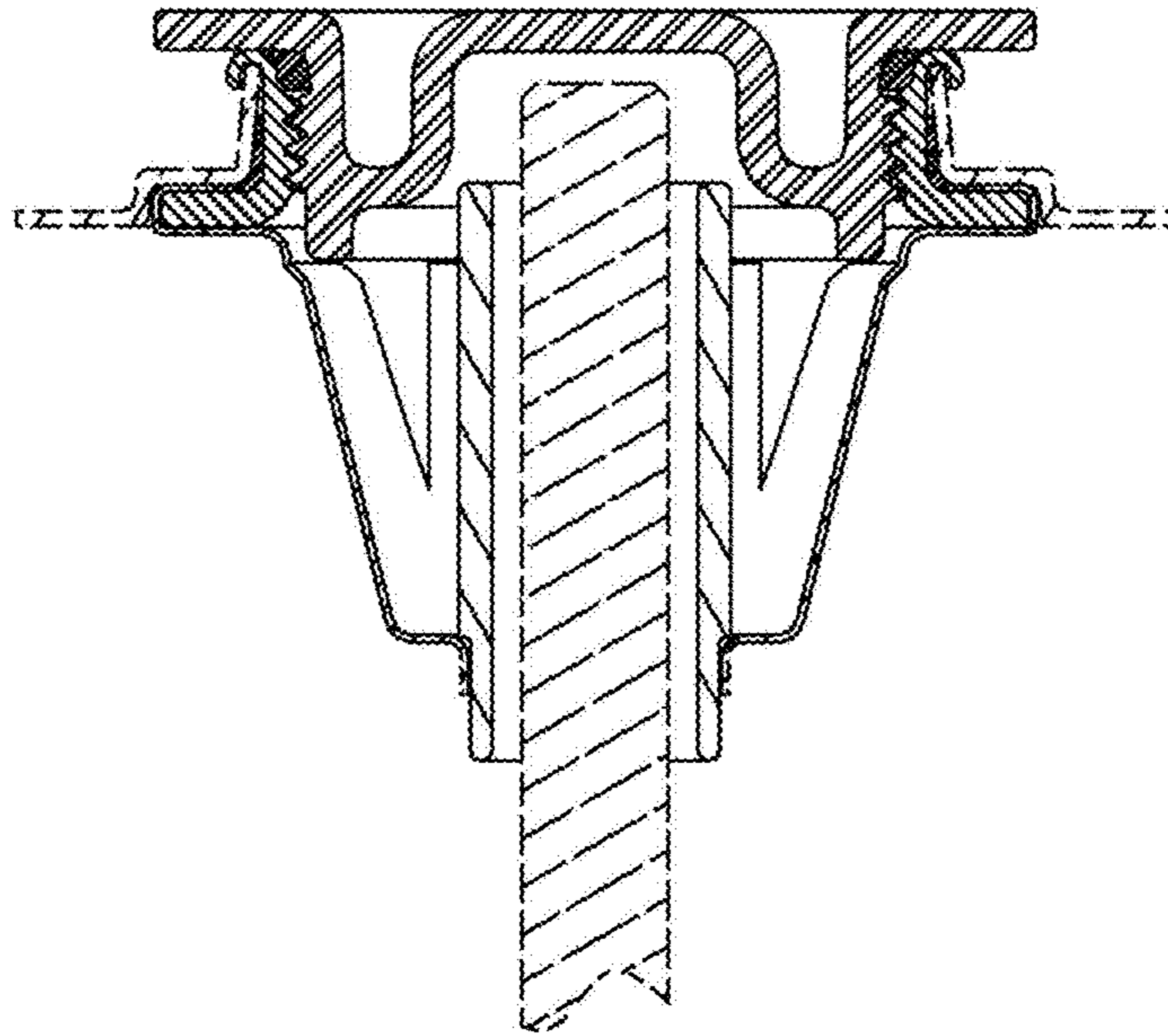


FIG. 7

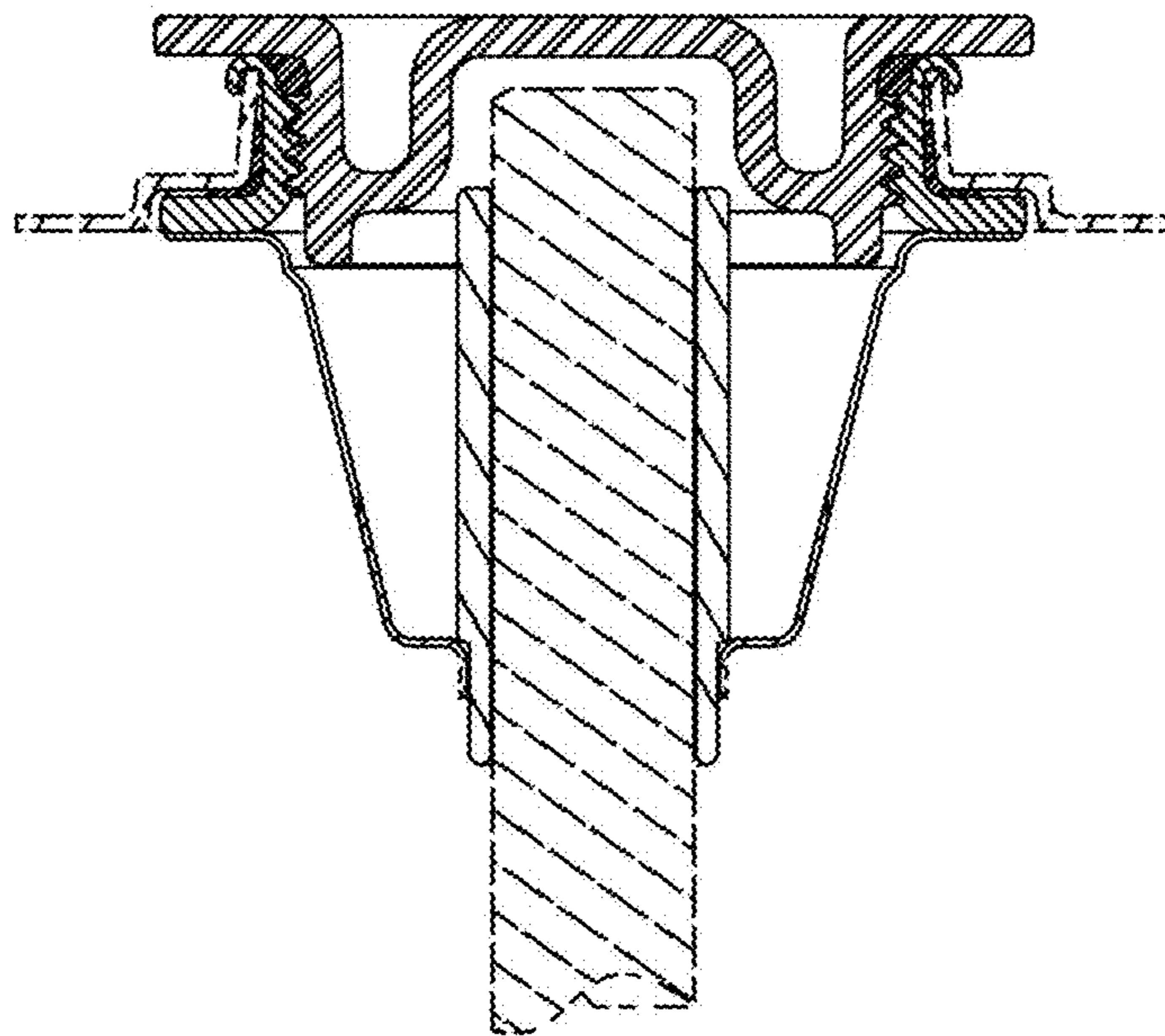


FIG. 8