



US00D699267S

(12) **United States Design Patent**
Nelson

(10) **Patent No.:** **US D699,267 S**

(45) **Date of Patent:** **** Feb. 11, 2014**

(54) **DOWNHOLE TRACTOR WHEEL**

(71) Applicant: **Schlumberger Technology Corporation**, Sugar Land, TX (US)

(72) Inventor: **Keith R. Nelson**, Sugar Land, TX (US)

(73) Assignee: **Schlumberger Technology Corporation**, Sugar Land, TX (US)

(**) Term: **14 Years**

(21) Appl. No.: **29/440,416**

(22) Filed: **Dec. 21, 2012**

(51) **LOC (10) Cl.** **15-03**

(52) **U.S. Cl.**
USPC **D15/21; D15/28**

(58) **Field of Classification Search**
USPC D15/21, 28, 148; 166/65.1, 153, 243,
166/381, 377, 250.01, 241.6, 50
See application file for complete search history.

(56) **References Cited**

U.S. PATENT DOCUMENTS

4,793,412	A *	12/1988	Rivas et al.	166/241.3
4,862,808	A *	9/1989	Hedgcoxe et al.	104/138.2
D322,791	S *	12/1991	Wada et al.	D15/17
D366,073	S *	1/1996	Schmidt et al.	D21/488
D377,356	S *	1/1997	Bruns	D15/28
D396,863	S *	8/1998	Bruns	D15/28
6,031,371	A *	2/2000	Smart	324/220
6,675,888	B2 *	1/2004	Schempf et al.	166/65.1
6,684,965	B1 *	2/2004	Bakke	175/99
D498,778	S *	11/2004	Hu	D15/148
7,172,026	B2 *	2/2007	Misselbrook	166/381

7,273,108	B2 *	9/2007	Misselbrook	166/381
D647,118	S *	10/2011	Parker et al.	D15/148
8,353,354	B2 *	1/2013	Hall et al.	166/381
2002/0130552	A1 *	9/2002	Juncker et al.	305/195

* cited by examiner

Primary Examiner — Mark Goodwin

(74) *Attorney, Agent, or Firm* — Trevor Grove; Jody Lynn DeStafanis; Michael Flynn

(57) **CLAIM**

The ornamental design for a downhole tractor wheel, as shown and described.

DESCRIPTION

FIG. 1 is a perspective view of a pair of downhole tractor wheels of the present invention;

FIG. 2 is an enlarged front perspective view of a downhole tractor wheel of the present invention;

FIG. 3 is a left side elevation view of the downhole tractor wheel of FIG. 2, the right side elevation being a mirror image thereof;

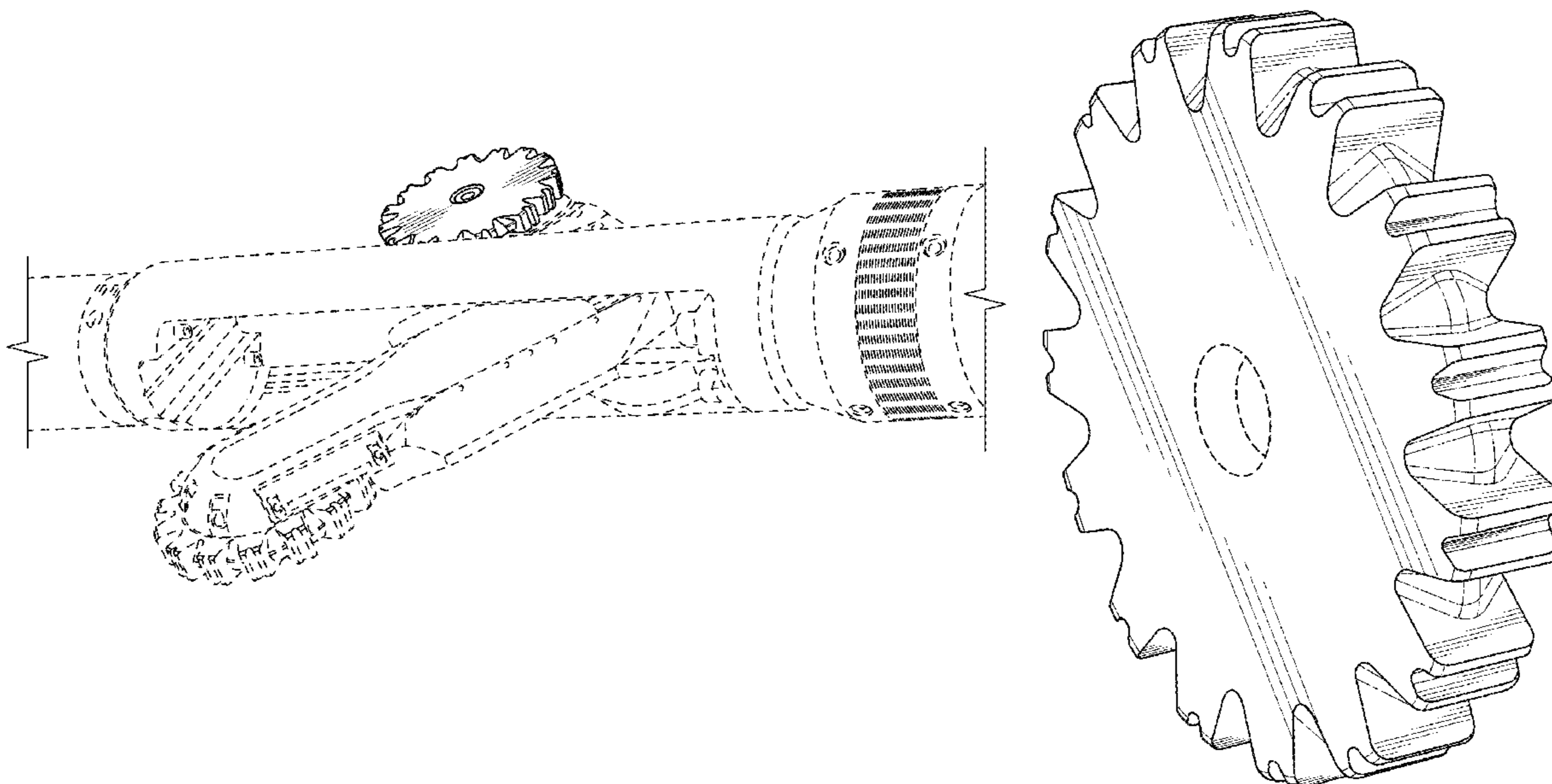
FIG. 4 is a rear elevation view of the downhole tractor wheel of FIG. 2;

FIG. 5. Is a top plan view of the downhole tractor wheel of FIG. 2; and,

FIG. 6. Is a bottom plan view of the downhole tractor wheel of FIG. 2.

The broken lines showing a downhole tractor in FIG. 1 are directed to environment and are for illustrative purposes only and form no part of the claimed design. The broken lines shown in FIG. 1 of an extra downhole tractor wheel, and the broken lines shown in FIGS. 2, 4, and 5 are for illustrative purposes only and form no part of the claimed design.

1 Claim, 4 Drawing Sheets



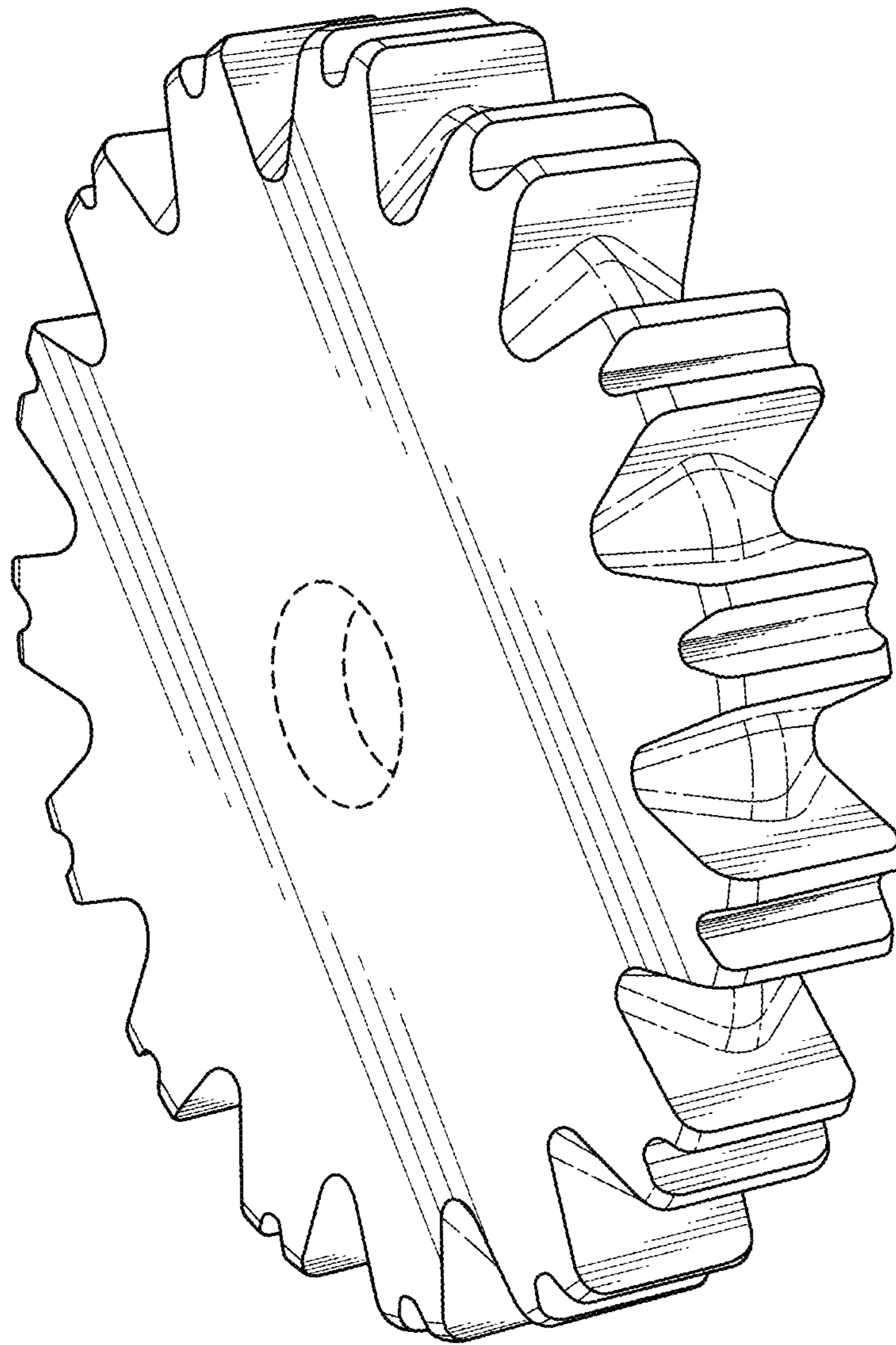


FIG. 2

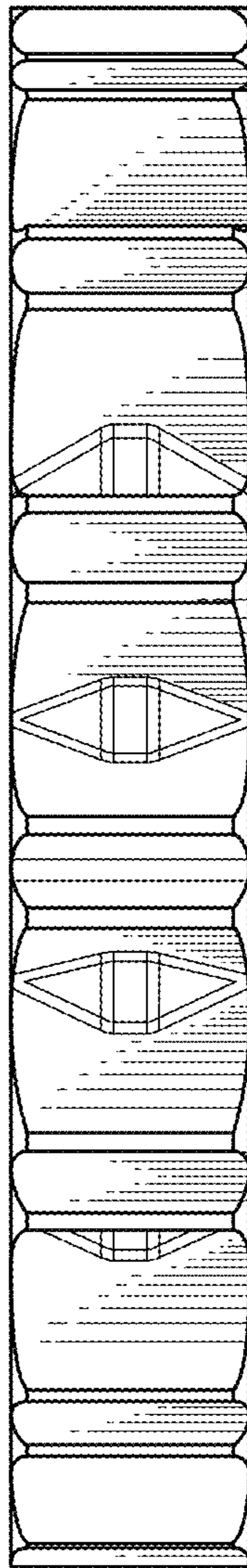


FIG. 3

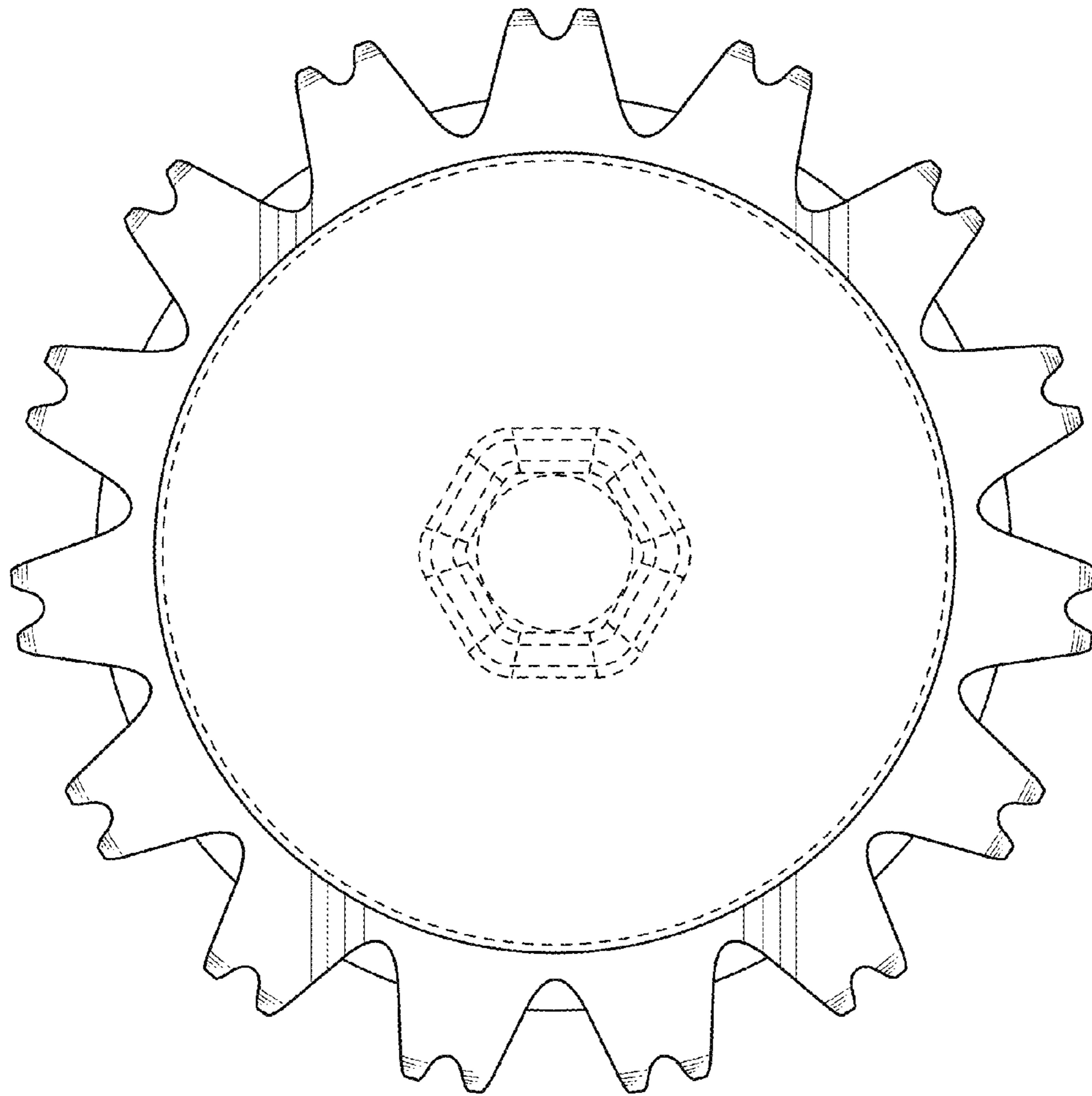


FIG. 4

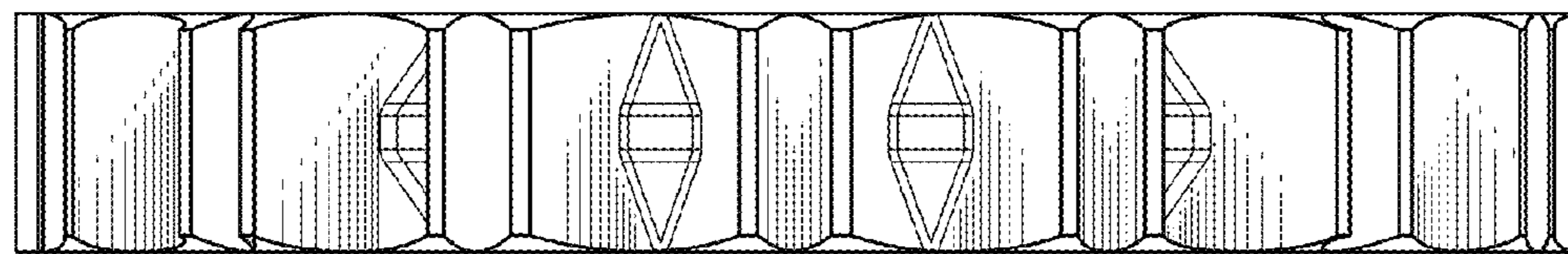


FIG. 5

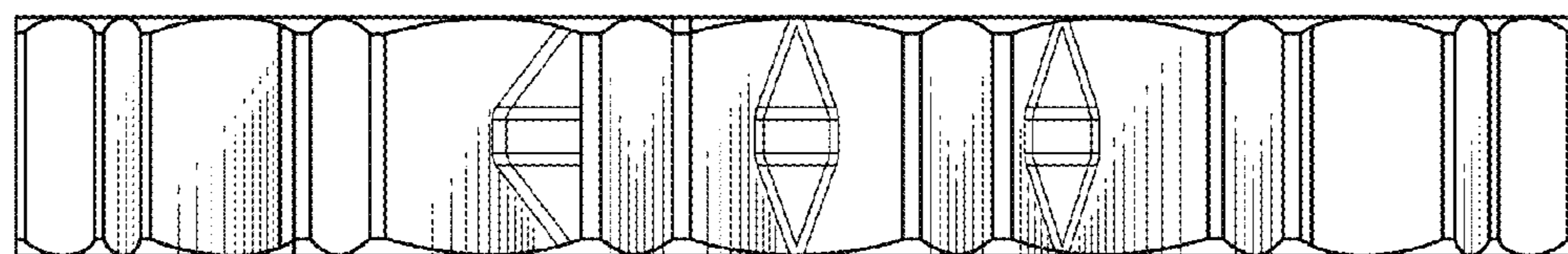


FIG. 6