



US00D699266S

(12) **United States Design Patent**
Feng

(10) **Patent No.:** **US D699,266 S**
(45) **Date of Patent:** **** Feb. 11, 2014**

(54) **MINI AIR COMPRESSOR WHICH IS USED IN COSMETOLOGY**

(56) **References Cited**

U.S. PATENT DOCUMENTS

(71) Applicant: **Ningbo Haosheng Pneumatic Machinery Co., Ltd., Zhejiang (CN)**

D402,997 S	*	12/1998	Campbell et al.	D15/7
D529,516 S	*	10/2006	Wu	D15/7
D538,825 S	*	3/2007	Chen Han	D15/9
D589,060 S	*	3/2009	Metcalfe	D15/7
D633,530 S	*	3/2011	Sodergard	D15/7

(72) Inventor: **XingHuo Feng, Ningbo (CN)**

* cited by examiner

(73) Assignee: **Ningbo Haosheng Pneumatic Machinery Co., Ltd., Ningbo Zhejiang (CN)**

Primary Examiner — Ralf Seifert

(74) *Attorney, Agent, or Firm* — Fish & Richardson P.C.

(**) Term: **14 Years**

(57) **CLAIM**

The ornamental design for a mini air compressor for use in cosmetology, substantially as shown and described.

(21) Appl. No.: **29/455,964**

DESCRIPTION

(22) Filed: **May 28, 2013**

FIG. 1 shows a top perspective view of a mini air compressor for use in cosmetology of the present invention;
 FIG. 2 shows a further top perspective view of a mini air compressor for use in in cosmetology of the present invention;
 FIG. 3 shows a front view of a mini air compressor for use in in cosmetology of the present invention;
 FIG. 4 shows a back view of a mini air compressor for use in in cosmetology of the present invention;
 FIG. 5 shows a left side view of a mini air compressor for use in in cosmetology of the present invention;
 FIG. 6 shows a right side view of a mini air compressor for use in in cosmetology of the present invention;
 FIG. 7 shows a top view of a mini air compressor for use in in cosmetology of the present invention; and,
 FIG. 8 shows a bottom view of a mini air compressor for use in in cosmetology of the present invention.

(30) **Foreign Application Priority Data**

Feb. 27, 2013 (CN) 2013 3 0047401

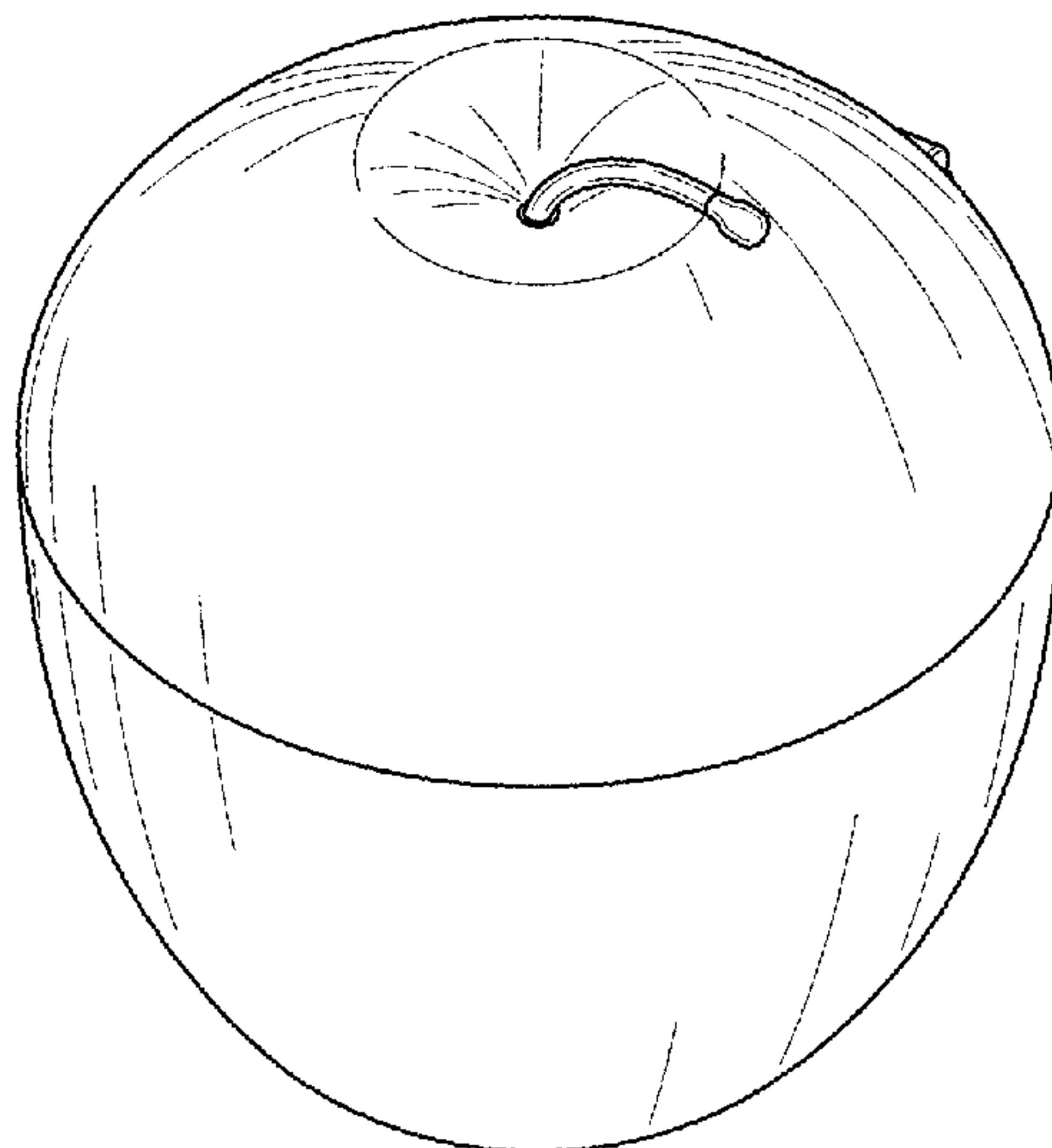
(51) **LOC (10) Cl.** **15-02**

(52) **U.S. Cl.**
USPC **D15/9**

(58) **Field of Classification Search**
USPC D15/7-9; D23/231, 232, 225; 417/60, 417/235, 265, 321, 355, 358, 363, 359, 417/410.1, 415-416, 405, 900, 279; 60/408, 412; 184/26-37; 415/140-147; 123/495, 509

See application file for complete search history.

1 Claim, 3 Drawing Sheets



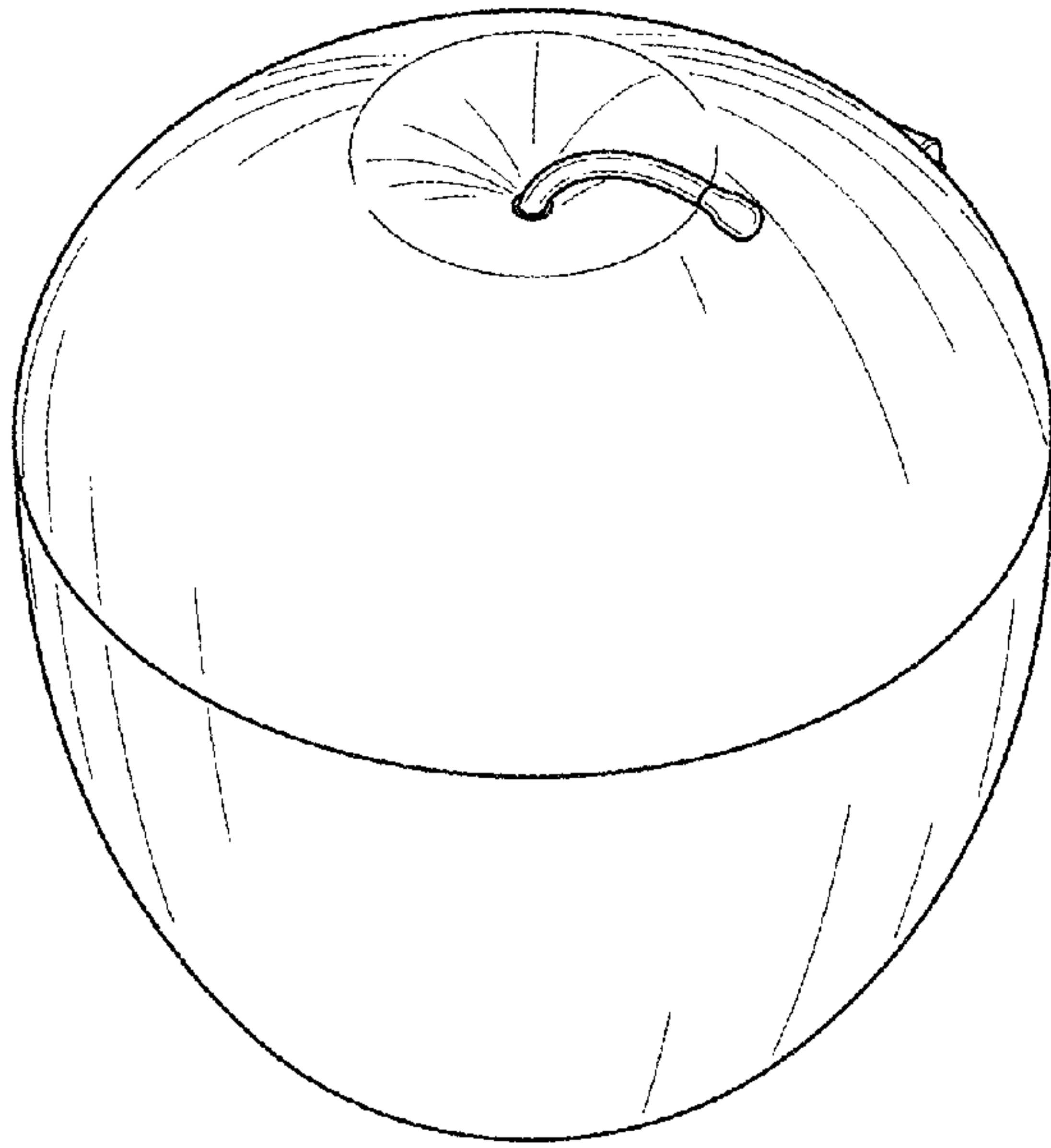


FIG. 1

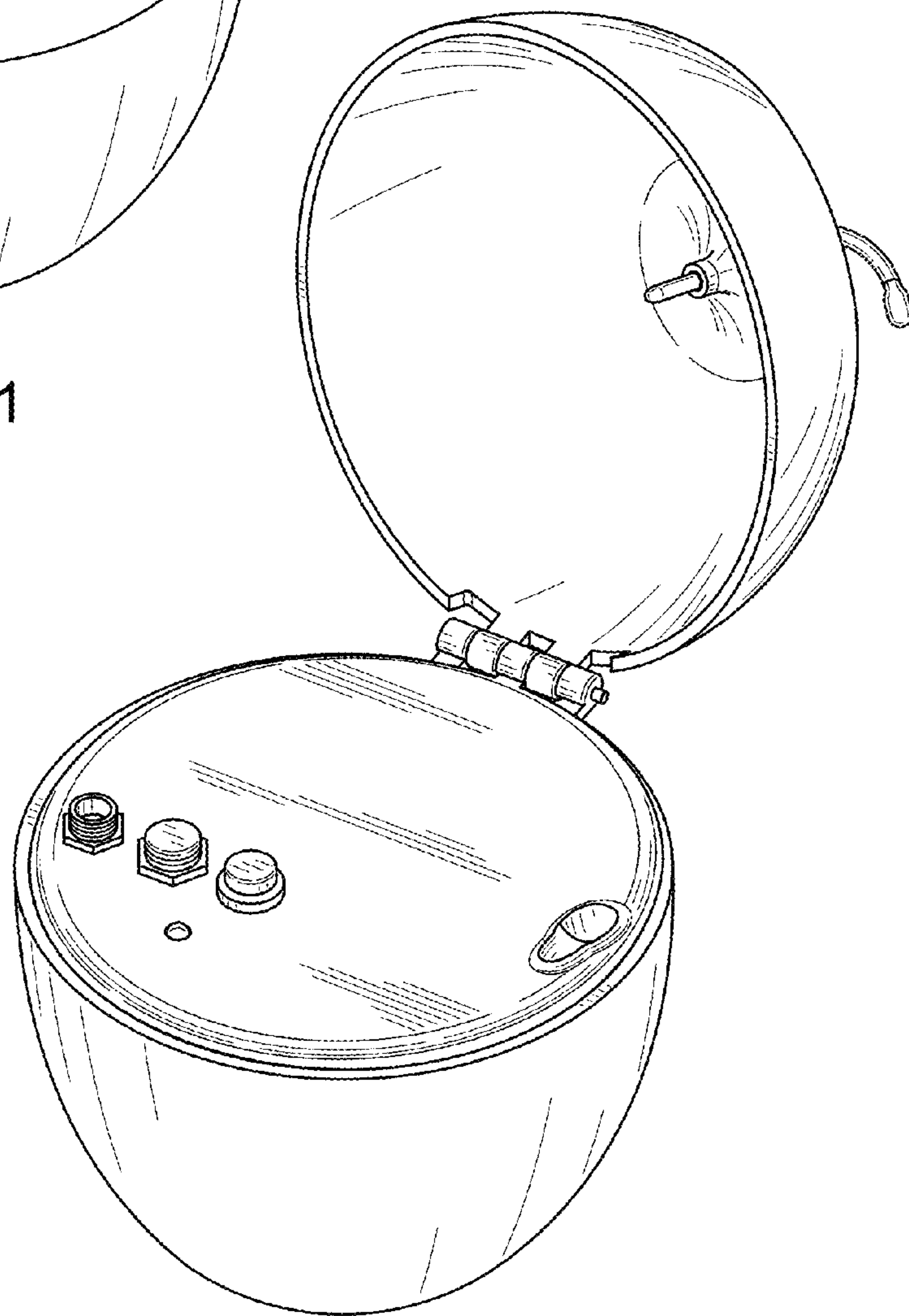


FIG. 2

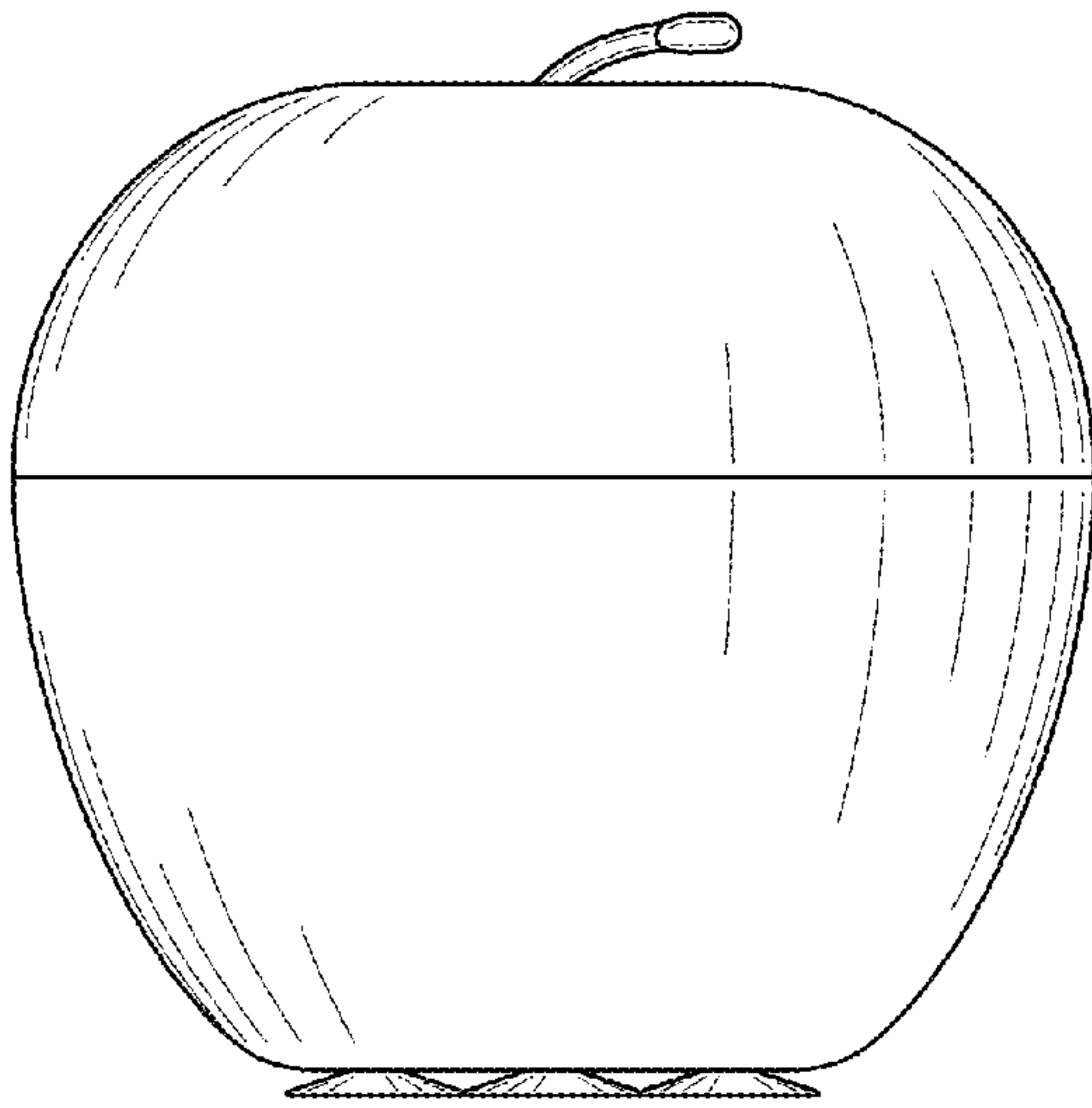


FIG. 3

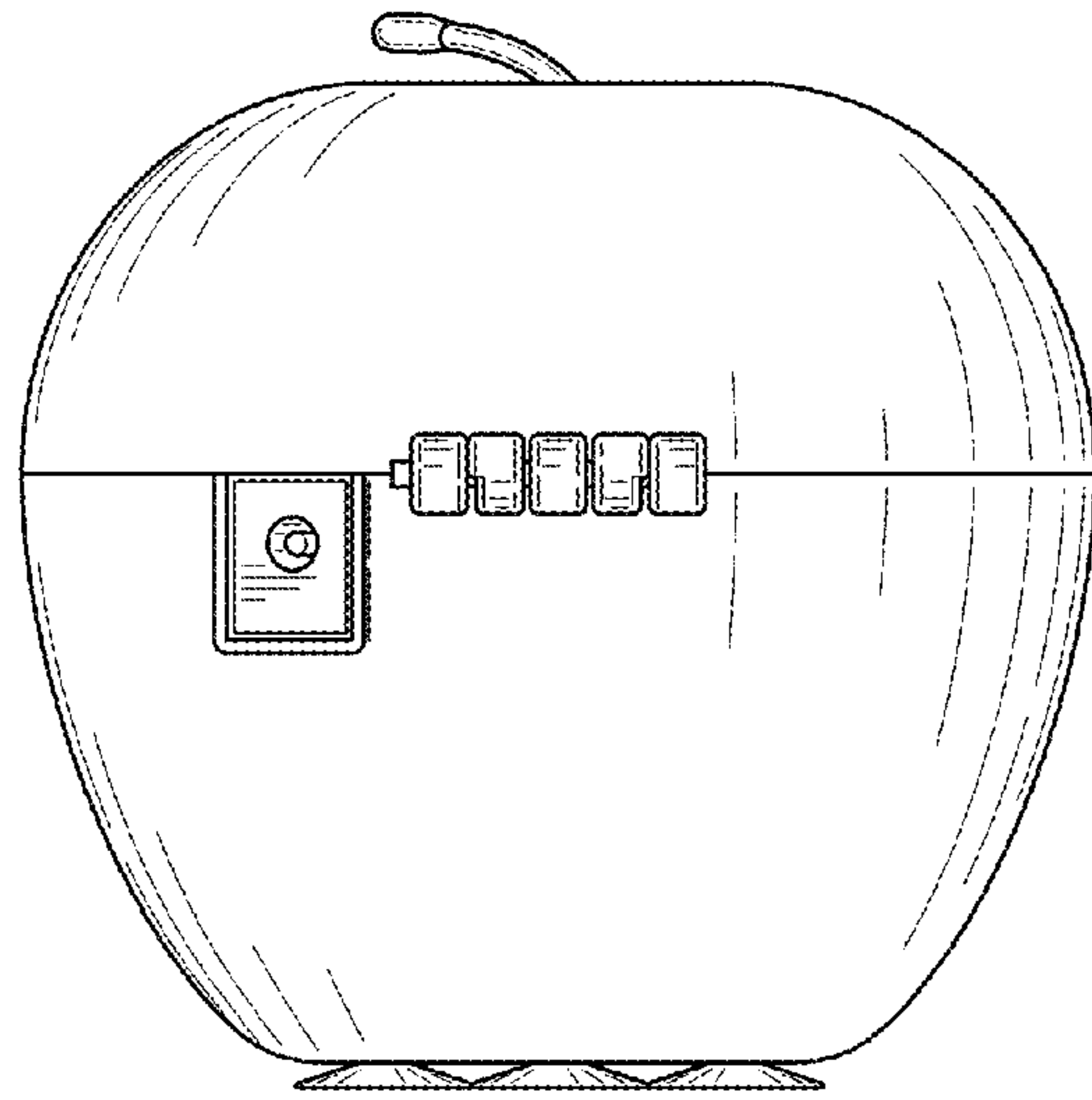


FIG. 4

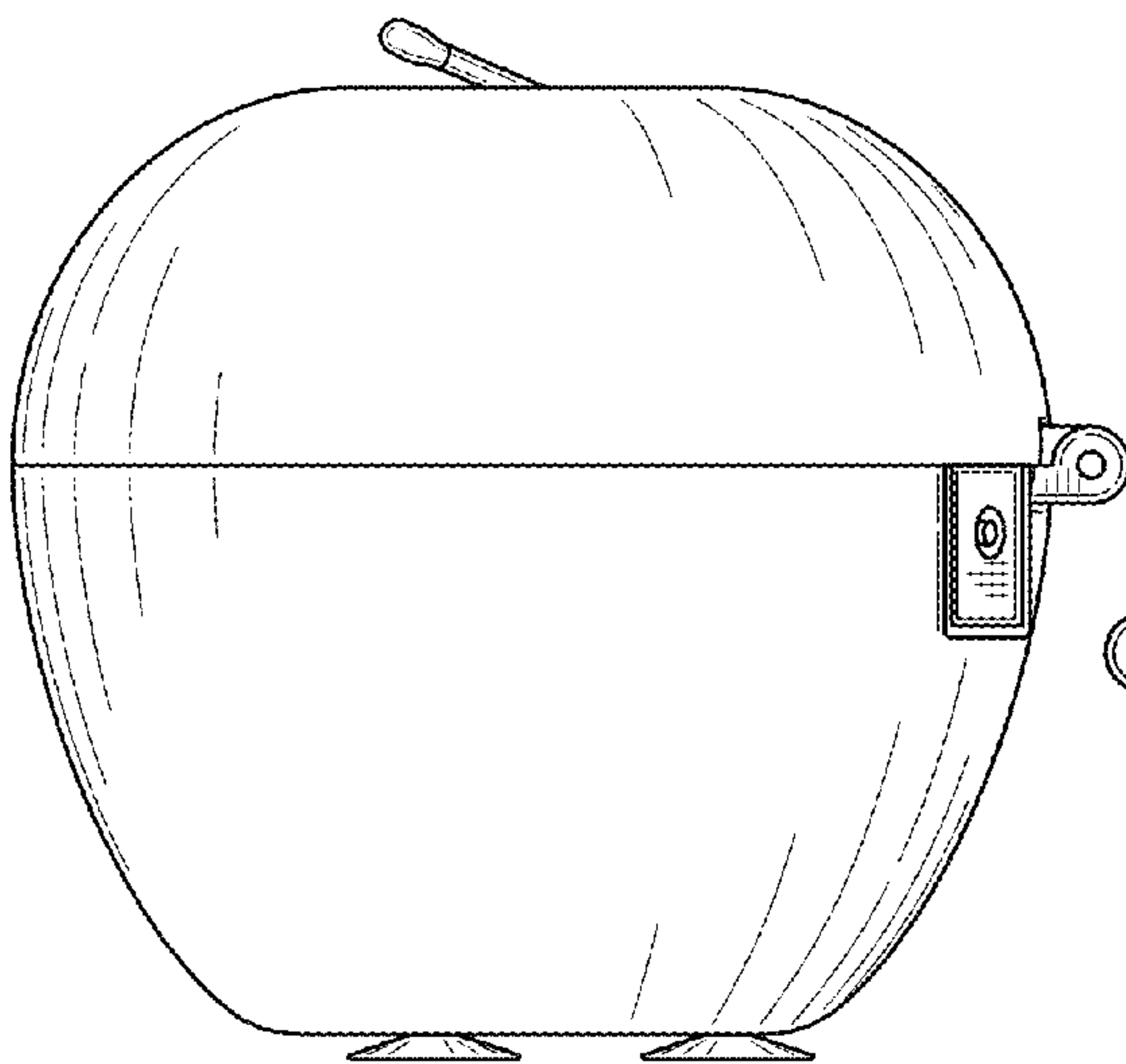


FIG. 5

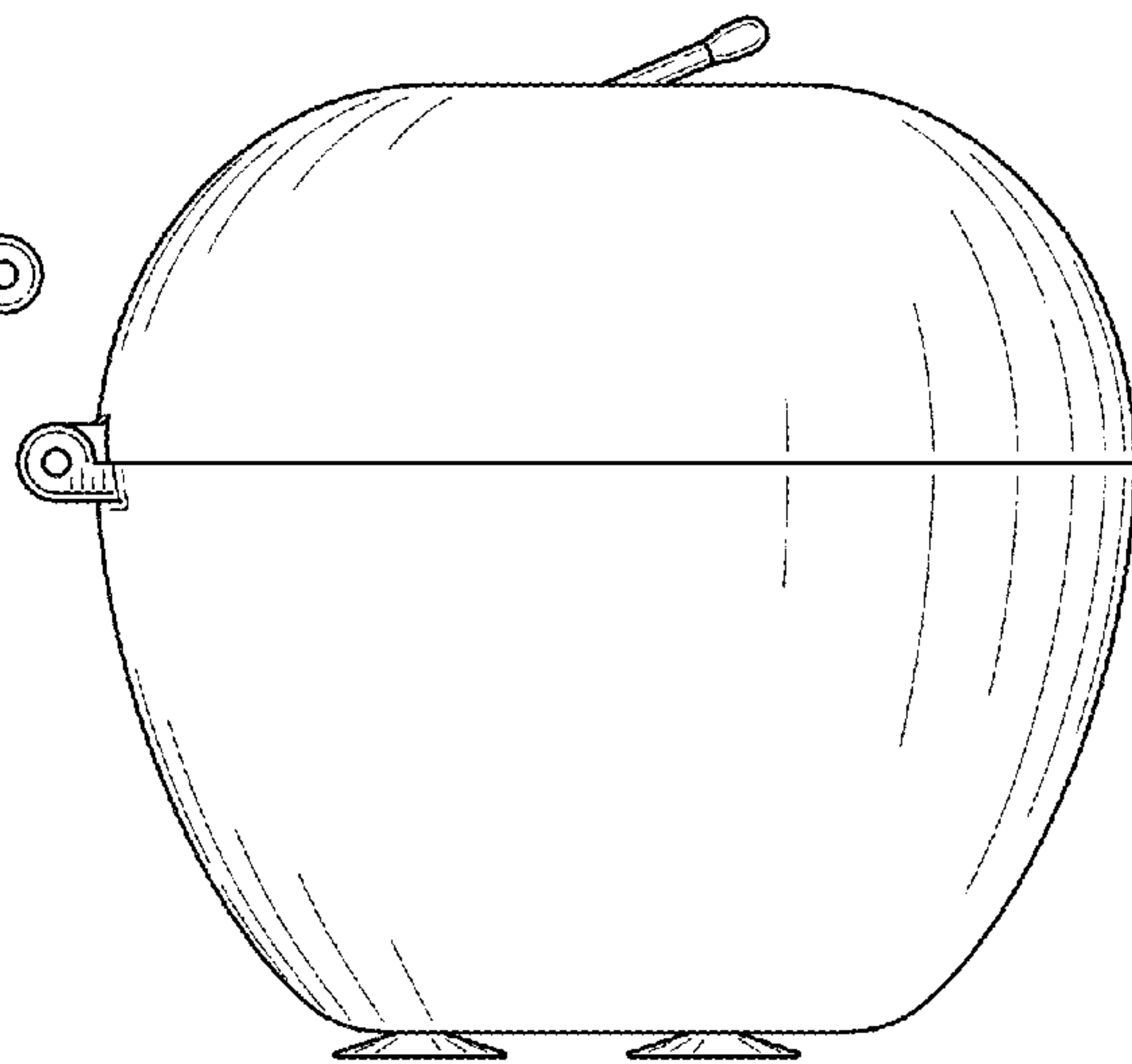


FIG. 6

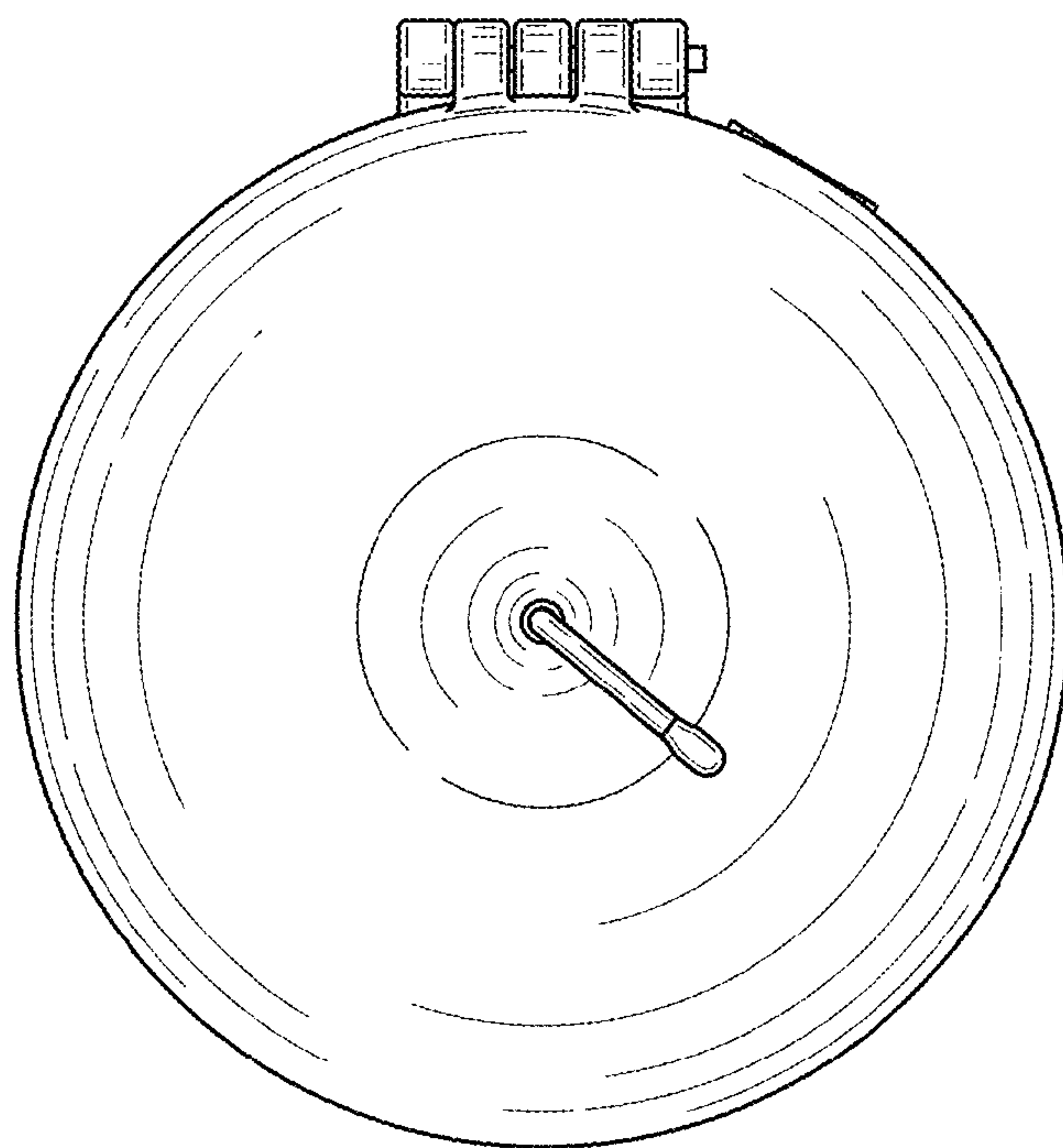


FIG. 7

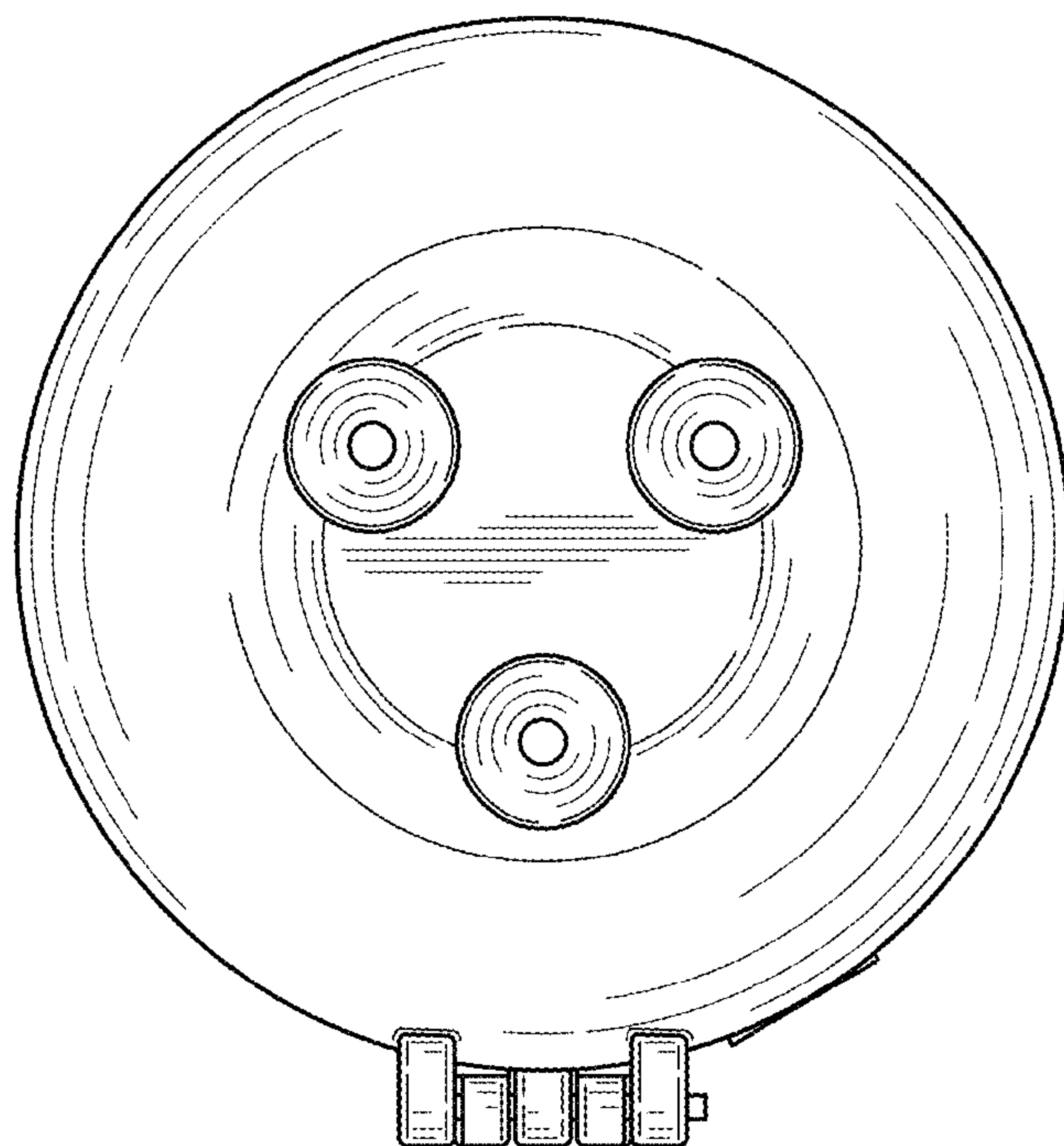


FIG. 8