



US00D699262S

(12) **United States Design Patent**  
**Qian**

(10) **Patent No.:** **US D699,262 S**

(45) **Date of Patent:** **\*\* Feb. 11, 2014**

(54) **DISPLAY PANEL OF A DIGITAL CAMERA WITH AN ICON**

(76) Inventor: **Benning Qian**, Ningbo (CN)

(\*\*) Term: **14 Years**

(21) Appl. No.: **29/380,519**

(22) Filed: **Dec. 7, 2010**

(51) **LOC (10) Cl.** ..... **14-04**

(52) **U.S. Cl.**  
USPC ..... **D14/489**

(58) **Field of Classification Search**  
USPC ..... D14/485-95; D18/24-33; D19/6, 52;  
D20/11; D21/324-33; 715/700-867,  
715/973-77  
See application file for complete search history.

(56) **References Cited**

**U.S. PATENT DOCUMENTS**

D211,666 S *	7/1968	MacGillavry .....	D14/195
D380,519 S *	7/1997	van Huystee .....	D21/814
D390,548 S *	2/1998	Maekawa et al. ....	D14/488
D460,762 S *	7/2002	Wasko .....	D14/486
D472,244 S *	3/2003	Wasko .....	D14/486
D473,880 S *	4/2003	Platz et al. ....	D14/489
D496,940 S *	10/2004	Fetterman .....	D14/485
D500,765 S *	1/2005	Wasko .....	D14/486
D501,211 S *	1/2005	Ligameri et al. ....	D14/486
D507,577 S *	7/2005	Totten et al. ....	D14/486
D512,722 S *	12/2005	Wirz .....	D14/485
D512,723 S *	12/2005	Wirz .....	D14/485
D519,518 S *	4/2006	Gibson .....	D14/486
D551,672 S *	9/2007	Wirz .....	D14/485
D551,673 S *	9/2007	Wirz .....	D14/485
D553,633 S *	10/2007	Byeon et al. ....	D14/486
D559,262 S *	1/2008	Young .....	D14/487
D563,422 S *	3/2008	Yamashita et al. ....	D14/485
D566,719 S *	4/2008	Ryu et al. ....	D14/486

D568,892 S *	5/2008	Stabb et al. ....	D14/485
D570,859 S *	6/2008	Hsiao et al. ....	D14/486
D575,298 S *	8/2008	Chen et al. ....	D14/486
D577,741 S *	9/2008	Nathan et al. ....	D14/487
D599,359 S *	9/2009	Hoefnagels et al. ....	D14/485
D599,810 S *	9/2009	Scalisi et al. ....	D14/485
D604,309 S *	11/2009	Song .....	D14/486
D604,316 S *	11/2009	Hoefnagels et al. ....	D14/487
D615,546 S *	5/2010	Lundy et al. ....	D14/485
D626,136 S *	10/2010	Fujimura .....	D14/486
D647,534 S *	10/2011	Doll .....	D14/486
D650,393 S *	12/2011	Doll .....	D14/486
D657,373 S *	4/2012	Kim et al. ....	D14/486
D659,153 S *	5/2012	Thoreson et al. ....	D14/486
2003/0107605 A1 *	6/2003	Iwamura .....	345/810
2010/0064238 A1 *	3/2010	Ludwig .....	715/770

**OTHER PUBLICATIONS**

Symbol Sourcebook, Henry Dreyfuss, Van Nostrand Reinhold, 1972, symbols pp. 74, 126, 141, 161.\*

\* cited by examiner

*Primary Examiner* — Melanie H Tung

(74) *Attorney, Agent, or Firm* — Head, Johnson & Kachigian, P.C.

(57) **CLAIM**

The ornamental design for a display panel of a digital camera with an icon, as shown and described.

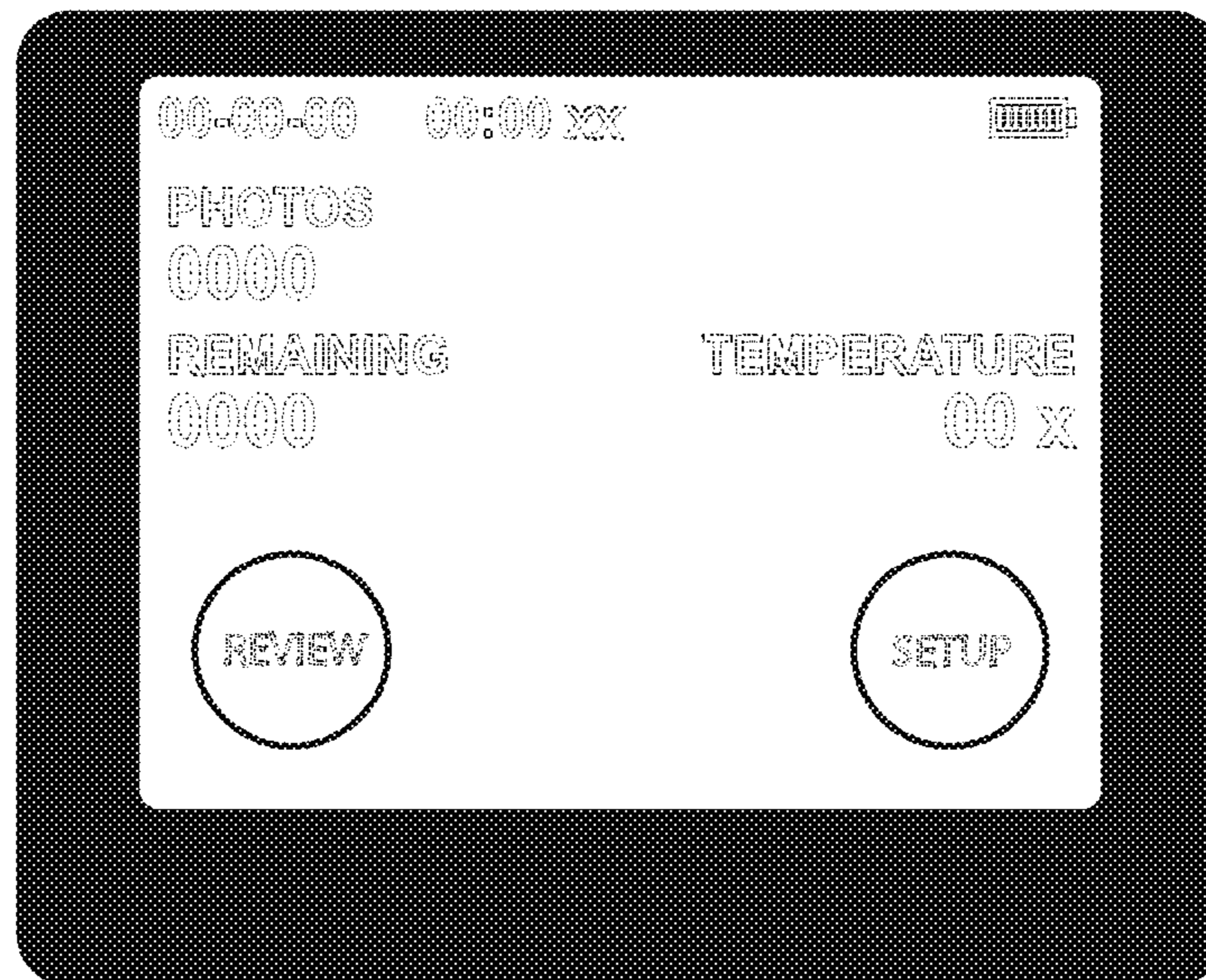
**DESCRIPTION**

FIG. 1 is a front view of a display panel of a digital camera with an icon; and,

FIG. 2 is an enlarged front view thereof, the icon is shown separately for clarity of illustration.

The broken line drawing of a digital camera, words, letters, numbers and the graphical element are for illustrative purposes only and form no part of the claimed design.

**1 Claim, 2 Drawing Sheets**



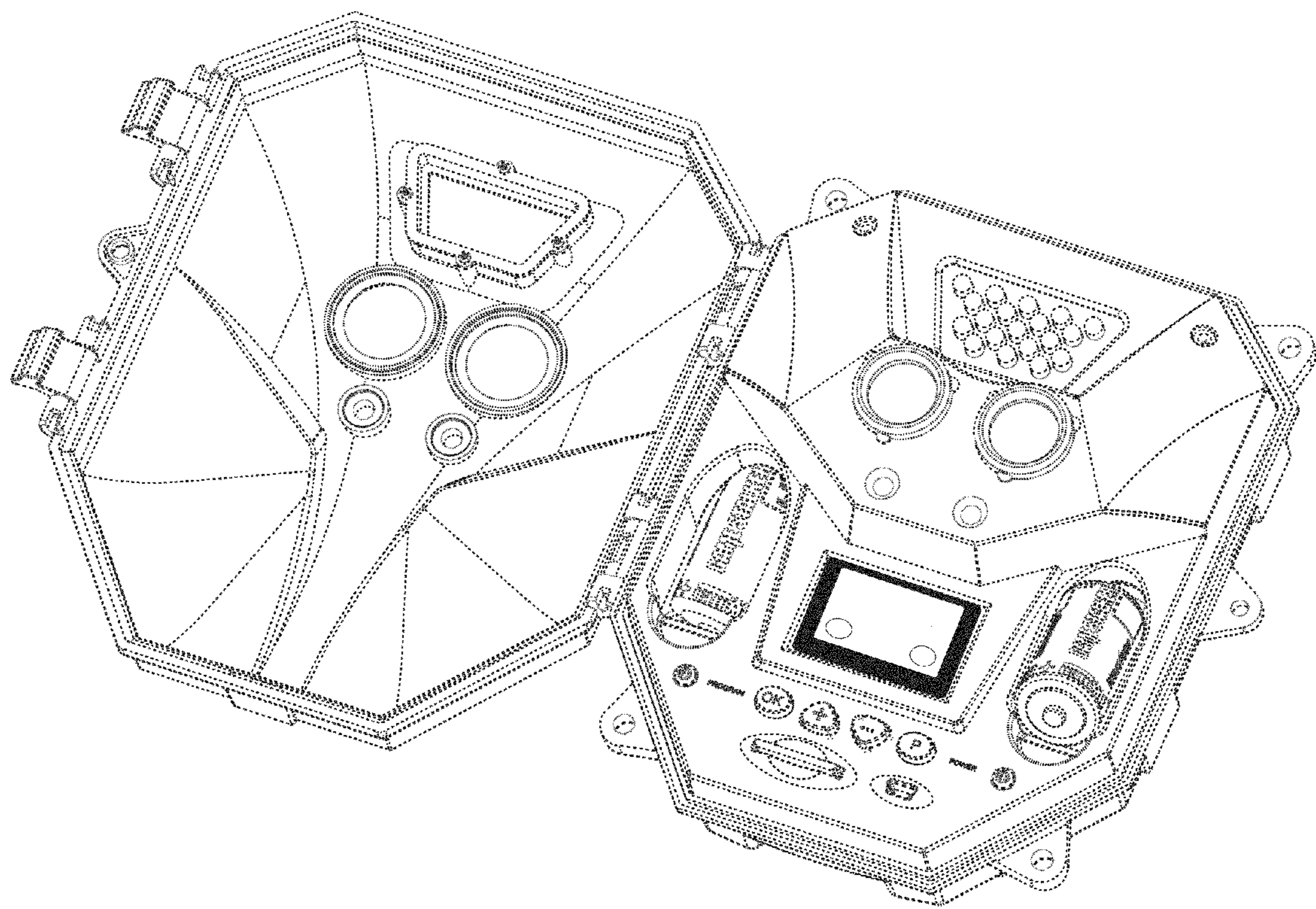


FIG. 1

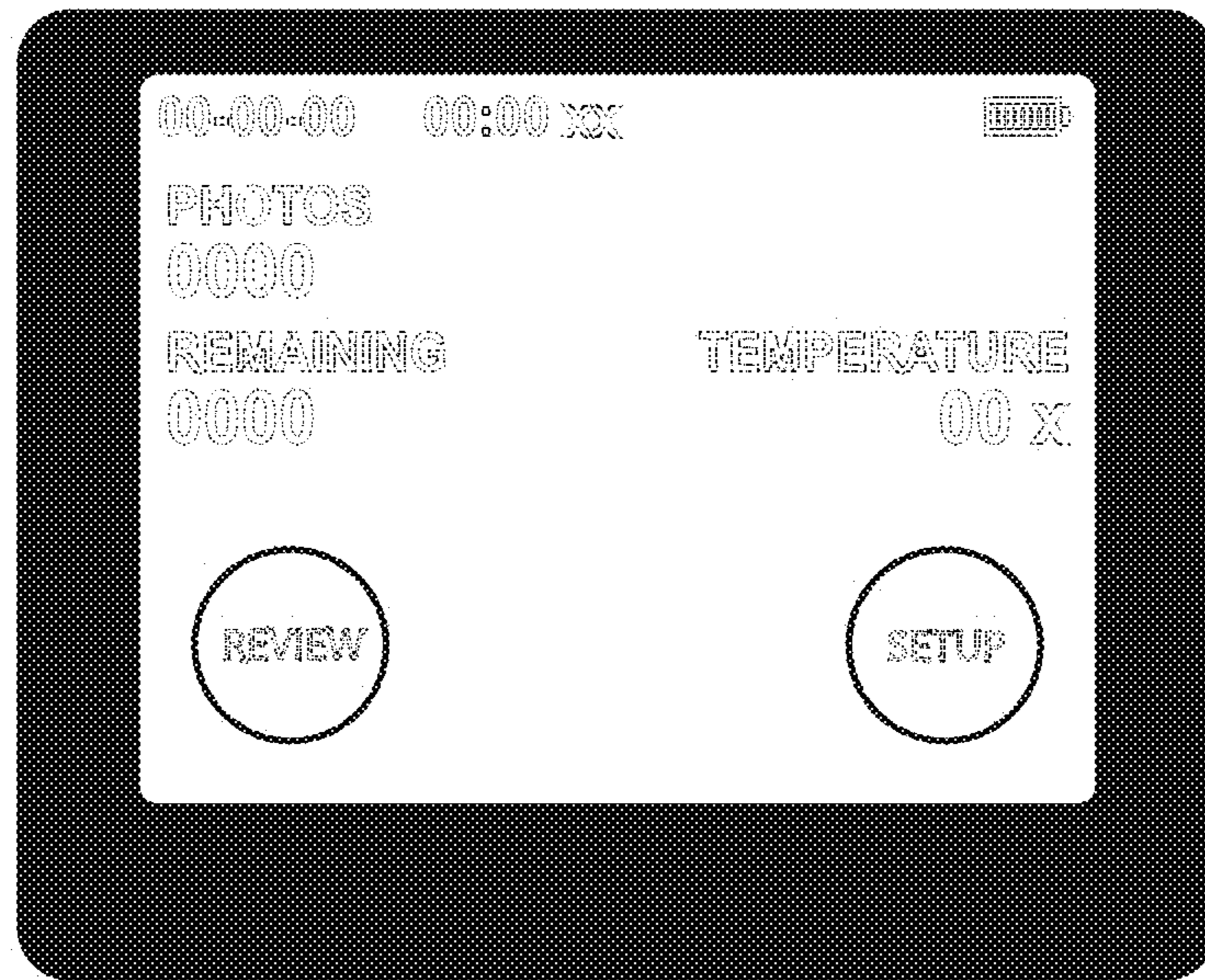


FIG. 2