



US00D699248S

(12) **United States Design Patent**
Pearson et al.

(10) **Patent No.:** **US D699,248 S**
(45) **Date of Patent:** **** Feb. 11, 2014**

- (54) **DISPLAY SCREEN WITH A GRAPHICAL USER INTERFACE**
- (75) Inventors: **Mark E. Pearson**, Renton, WA (US);
Erez Kikin Gil, Redmond, WA (US);
Matthew J. Kotler, Sammamish, WA (US)
- (73) Assignee: **Microsoft Corporation**, Redmond, WA (US)
- (**) Term: **14 Years**
- (21) Appl. No.: **29/412,717**
- (22) Filed: **Feb. 7, 2012**
- (51) **LOC (10) Cl.** **14-04**
- (52) **U.S. Cl.**
USPC **D14/485**
- (58) **Field of Classification Search**
USPC D14/485-95; D18/24-33; D19/6, 52;
D20/11; D21/324-33; 715/700-867,
715/973-77
See application file for complete search history.

- D545,323 S 6/2007 Decombe
- D545,324 S 6/2007 Decombe
- 7,281,214 B2 10/2007 Fadell
- D554,660 S 11/2007 Hoover et al.
- D554,661 S 11/2007 Hoover et al.
- D563,972 S 3/2008 Sherry
- D568,898 S 5/2008 Byeon
- D580,949 S 11/2008 Duarte
- D589,521 S 3/2009 Napier et al.
- D591,305 S * 4/2009 Shimoda D14/485
- 7,516,416 B2 4/2009 Viswanathan et al.
- D592,674 S 5/2009 Kwag
- D604,310 S 11/2009 Ahn
- D606,081 S 12/2009 Parker et al.
- D607,007 S * 12/2009 Kocmick D14/489
- D614,192 S * 4/2010 Takano et al. D14/486
- D619,593 S * 7/2010 Fujioka et al. D14/485
- D619,614 S * 7/2010 O'Mullan et al. D14/489
- D622,281 S * 8/2010 Maitlen et al. D14/485
- D625,319 S 10/2010 Allen et al.
- D625,328 S * 10/2010 Fitzmaurice et al. D14/489
- D627,360 S * 11/2010 Aarseth D14/485
- D635,987 S 4/2011 Mays et al.
- D635,988 S 4/2011 Mays et al.
- D637,197 S 5/2011 Ray et al.

(Continued)

Primary Examiner — Melanie H Tung
(74) *Attorney, Agent, or Firm* — Banner & Witcoff, Ltd.

(56) **References Cited**
U.S. PATENT DOCUMENTS

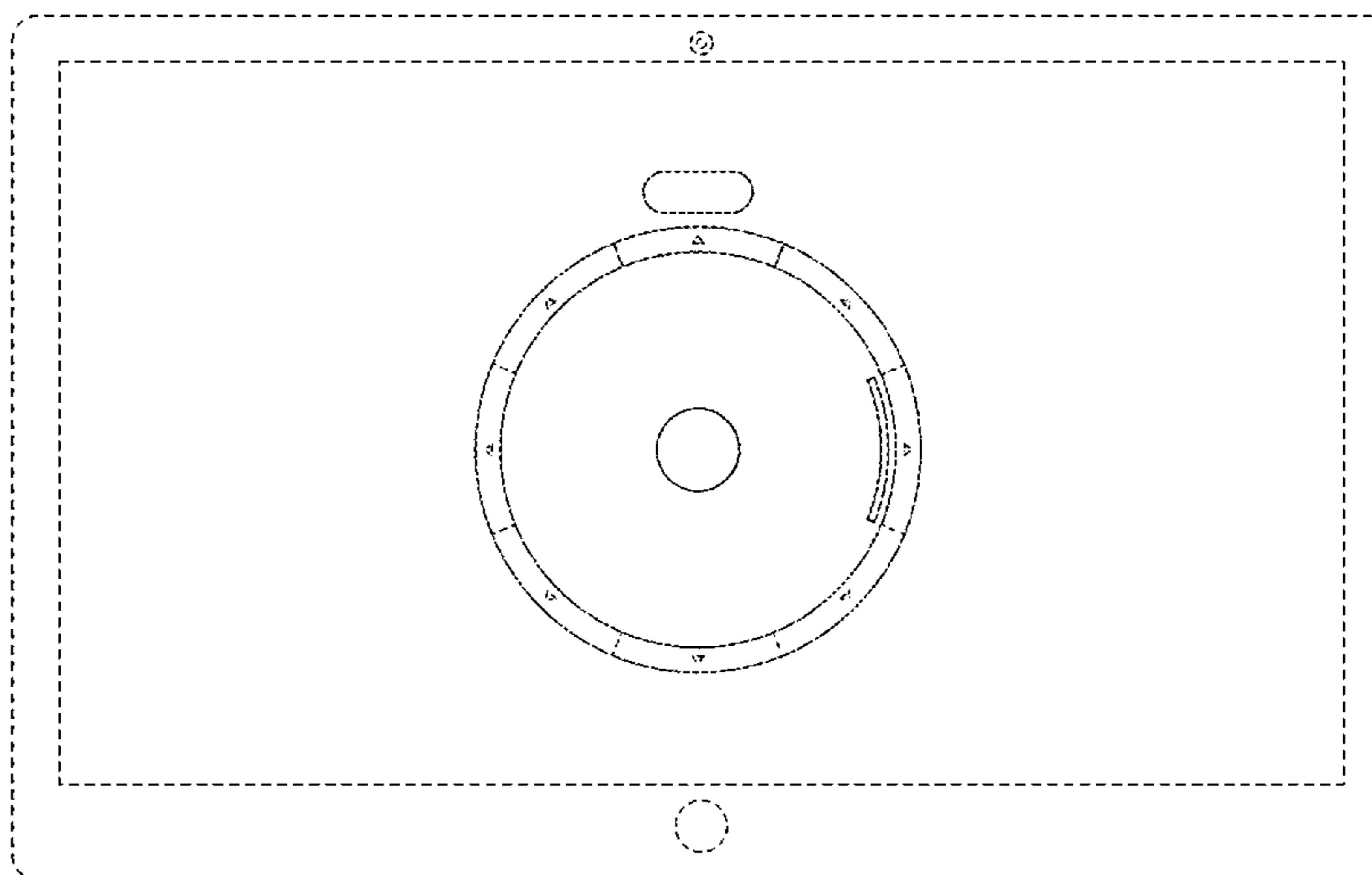
- 4,747,093 A * 5/1988 Benne et al. 369/280
- 5,526,341 A * 6/1996 Shiba et al. 369/275.1
- 5,675,570 A * 10/1997 Ohira et al. 369/275.1
- D396,455 S * 7/1998 Bier D14/489
- D464,360 S * 10/2002 Grundel et al. D14/485
- 6,549,219 B2 * 4/2003 Selker 715/834
- D474,197 S * 5/2003 Nguyen D14/486
- D492,695 S * 7/2004 Suzuki et al. D14/489
- D493,177 S * 7/2004 Retuta et al. D14/486
- D493,471 S * 7/2004 McIntosh D14/485
- D504,441 S * 4/2005 Sapp et al. D14/486
- D505,135 S * 5/2005 Sapp et al. D14/489
- 7,046,248 B1 5/2006 Perttunen
- D544,495 S * 6/2007 Evans et al. D14/488

(57) **CLAIM**
The ornamental design for a display screen with graphical user interface, as shown and described.

DESCRIPTION

FIG. 1 is a front view of a display screen with user interface showing the new design;
FIG. 2 is a second embodiment thereof; and,
FIG. 3 is a third embodiment thereof.
The broken line showing of the remainder of the graphical elements and the display screen in all views is for environmental purposes only and forms no part of the claimed design.

1 Claim, 3 Drawing Sheets



(56)

References Cited

U.S. PATENT DOCUMENTS

D644,243 S *	8/2011	Matas	D14/489	D667,429 S *	9/2012	Wujcik et al.	D14/489
D645,470 S *	9/2011	Matas	D14/489	D678,902 S *	3/2013	Evans	D14/492
D651,611 S *	1/2012	Ouilhet et al.	D14/489	D681,669 S *	5/2013	Phelan	D14/489
D651,613 S *	1/2012	Ouilhet	D14/491	D685,391 S *	7/2013	Blissenbach et al.	D14/492
D664,562 S *	7/2012	McCain et al.	D14/489	2004/0141010 A1 *	7/2004	Fitzmaurice et al.	345/810
D667,428 S *	9/2012	Wujcik et al.	D14/489	2005/0010955 A1 *	1/2005	Elia et al.	725/88
				2008/0126992 A1 *	5/2008	Scheu et al.	715/835
				2010/0088594 A1 *	4/2010	Kim et al.	715/274

* cited by examiner

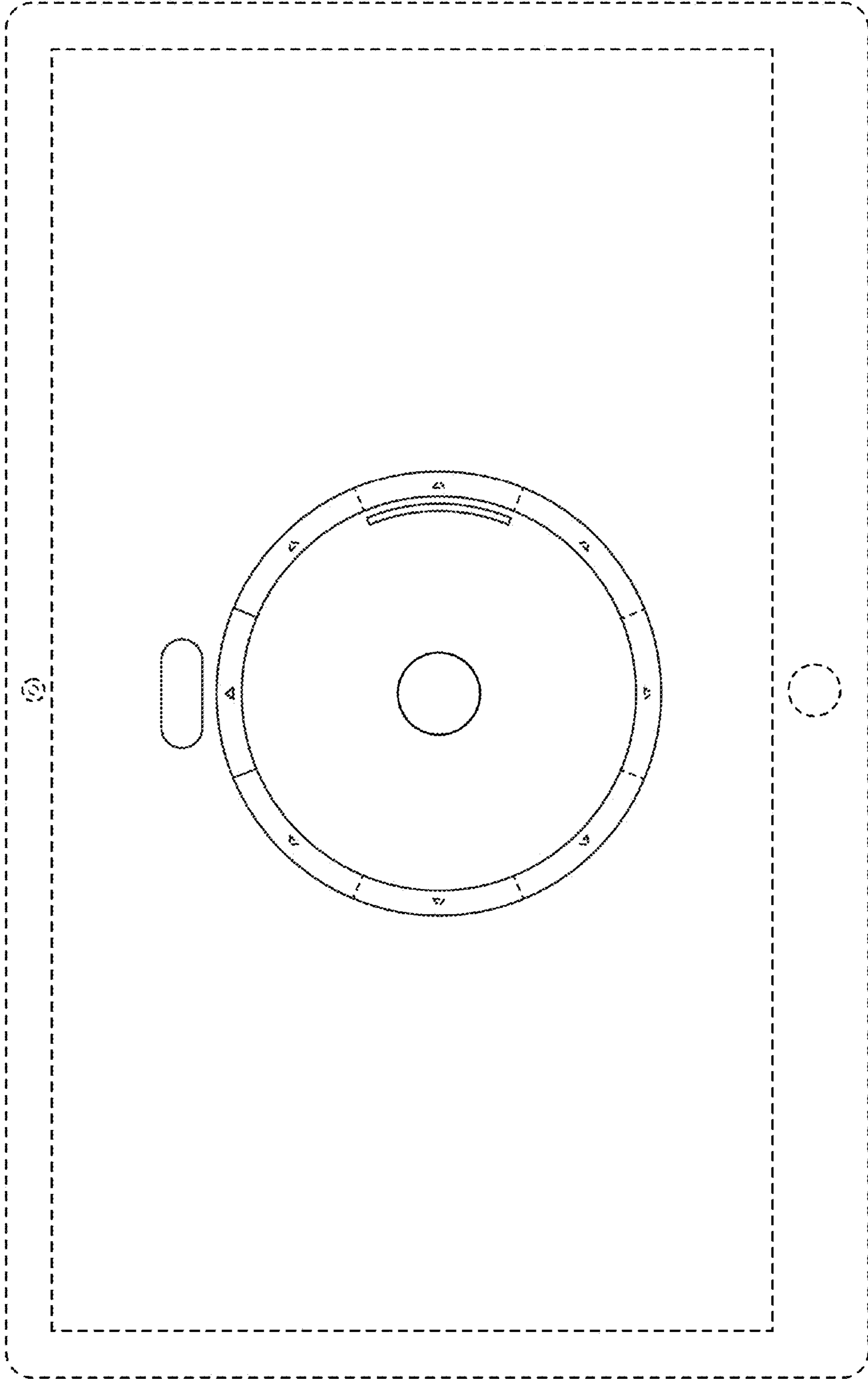


FIG. 1

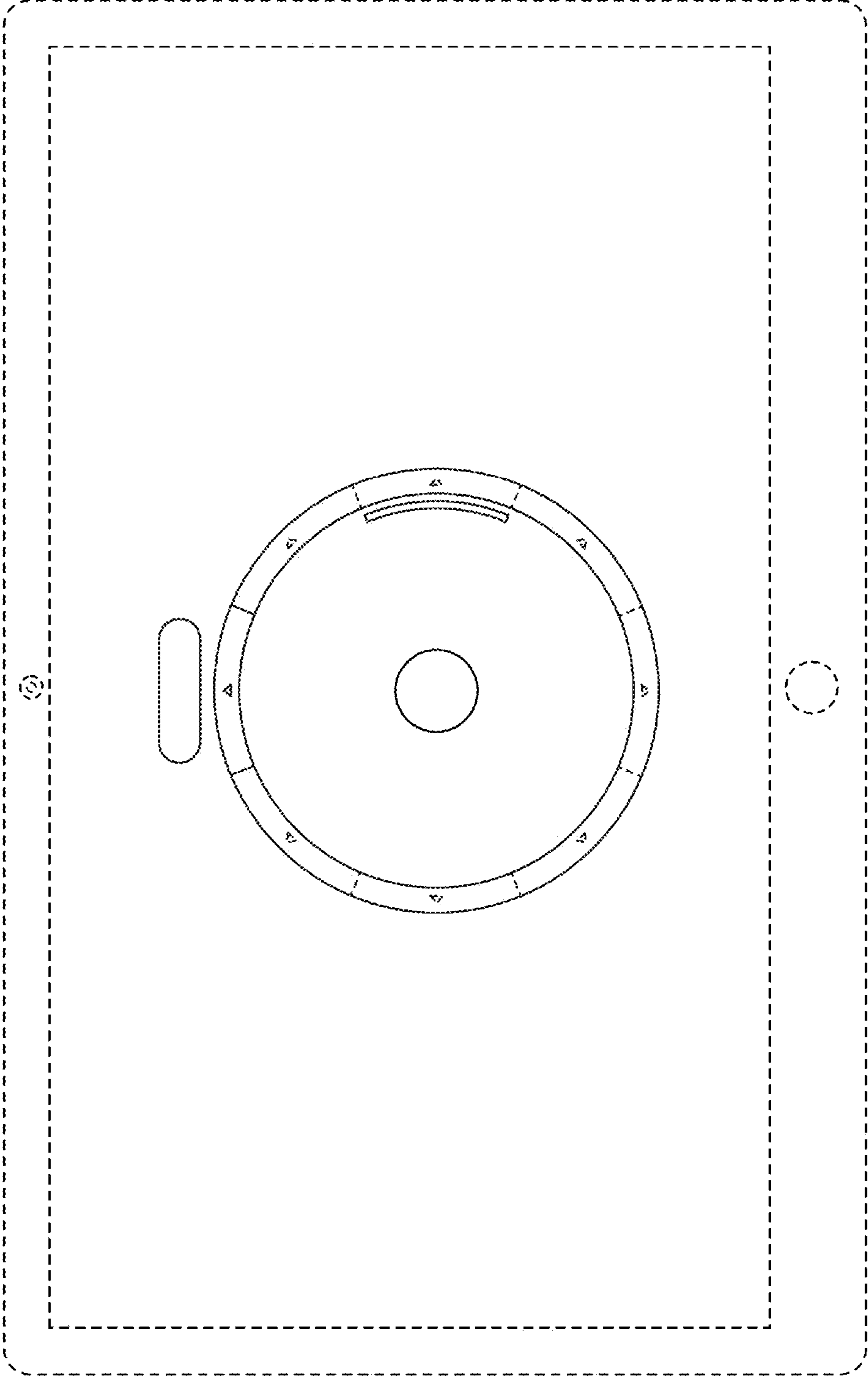


FIG. 2

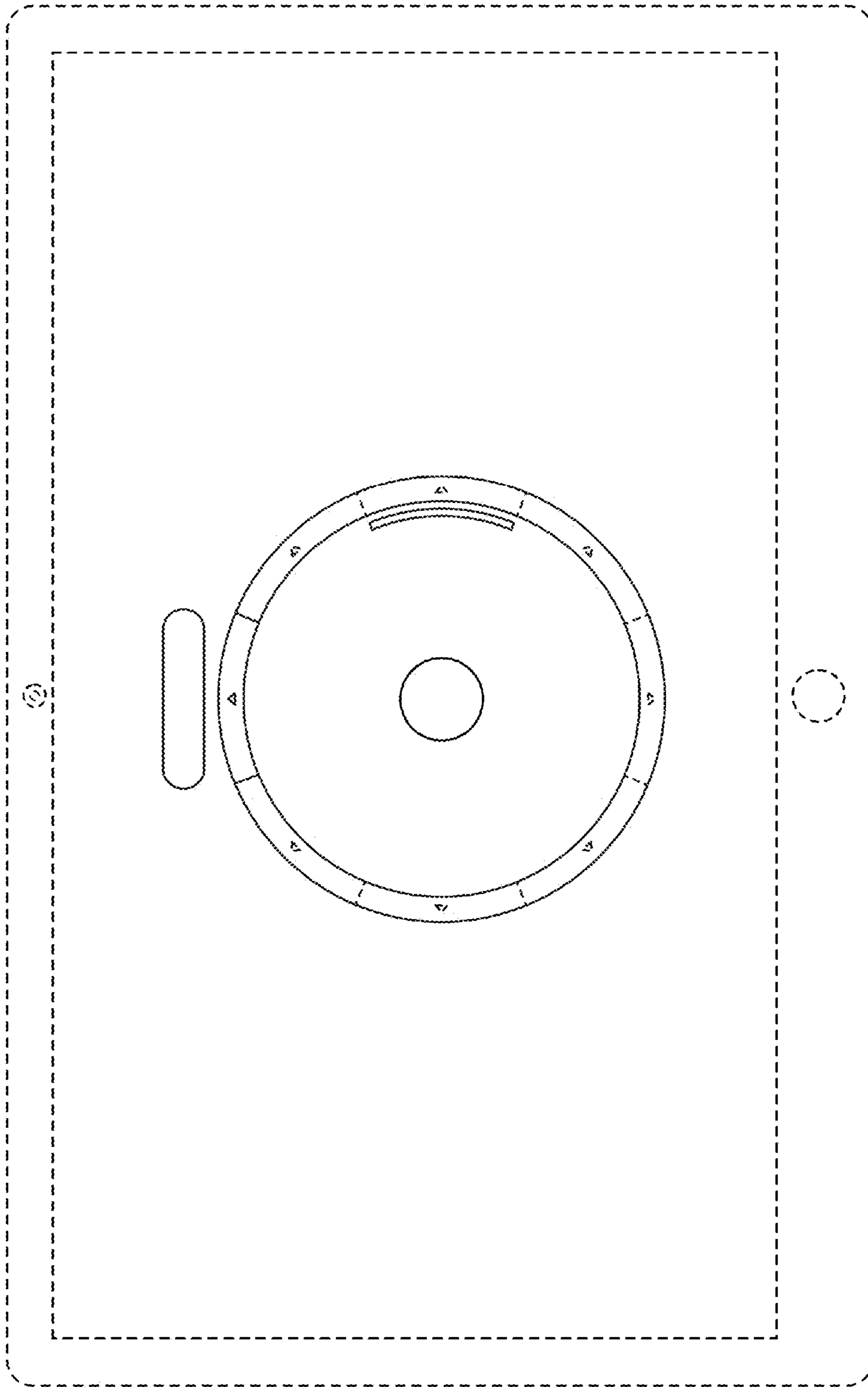


FIG. 3