



US00D699246S

(12) **United States Design Patent**
Ringlein

(10) **Patent No.:** **US D699,246 S**

(45) **Date of Patent:** **** Feb. 11, 2014**

(54) **ELECTRONIC DEVICE HOLDER WITH PENCIL CUP**

(71) Applicant: **John Frederick Ringlein**, Naperville, IL (US)

(72) Inventor: **John Frederick Ringlein**, Naperville, IL (US)

(**) Term: **14 Years**

(21) Appl. No.: **29/442,013**

(22) Filed: **Nov. 14, 2012**

(51) **LOC (10) Cl.** **08-07**

(52) **U.S. Cl.**
USPC **D14/447**

(58) **Field of Classification Search**
USPC D14/447, 451, 457, 432, 434, 439, 440, D14/217, 238.1, 250, 251, 253; D6/406.1, D6/406.2, 406.3, 406.4, 406.5, 406.6; D12/415; D13/108, 110; D8/363; D21/333; 248/917-924, 133, 136, 139, 248/150, 176.1, 188.6; 361/679.09, 679.21, 361/679.22, 679.24, 679.26, 679.27, 361/679.28, 679.3, 679.55, 679.56, 709; D19/77

See application file for complete search history.

(56) **References Cited**

U.S. PATENT DOCUMENTS

D289,060 S * 3/1987 Wolff D19/85
D365,461 S * 12/1995 Falter D6/406.4

D366,500 S * 1/1996 Goldthwaite D19/82
D453,155 S * 1/2002 Michel D14/253
D477,848 S * 7/2003 Chen D19/78
D623,188 S * 9/2010 Son et al. D14/434
D624,919 S * 10/2010 Bull D14/434
D640,249 S * 6/2011 Choi D14/253
D654,921 S * 2/2012 Malsan D14/447
D661,309 S * 6/2012 Murrer et al. D14/447
D666,995 S * 9/2012 TerMeer D14/217
D668,662 S * 10/2012 Suiter D14/447
D681,626 S * 5/2013 Zehner D14/253

* cited by examiner

Primary Examiner — Angela J Lee

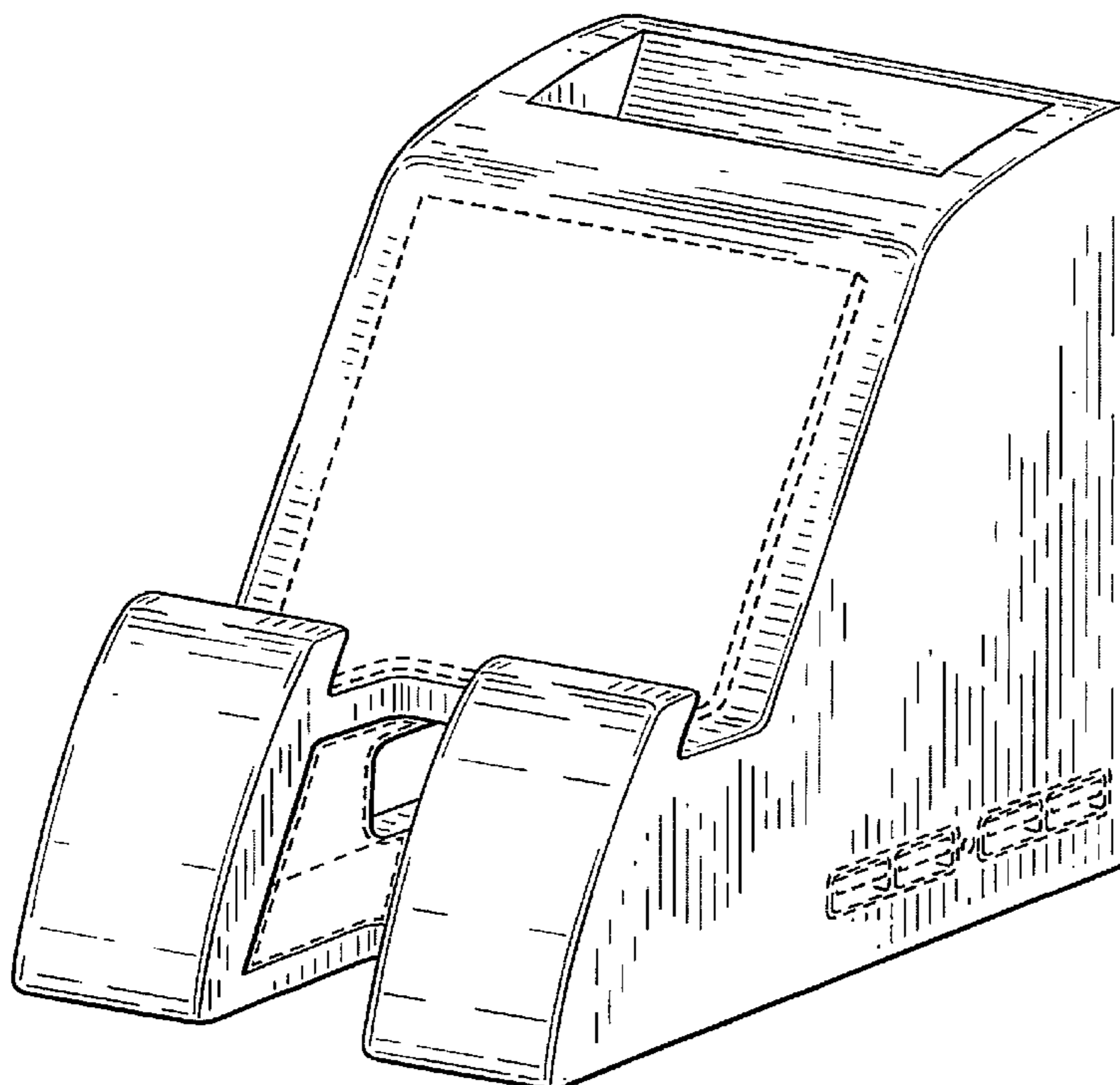
(57) **CLAIM**

The ornamental design for an electronic device holder with pencil cup, as shown and described.

DESCRIPTION

FIG. 1 is a top perspective view of an electronic device holder with pencil cup showing my new design. FIG. 2 is a front elevational view thereof; FIG. 3 is a rear elevational view thereof; FIG. 4 is a left side elevational view thereof; FIG. 5 is a right side elevational view thereof; FIG. 6 is a top plan view thereof; and, FIG. 7 is a bottom plan view thereof. The broken lines shown in the drawings represent portions of the electronic device holder with pencil cup that form no part of the claimed design.

1 Claim, 7 Drawing Sheets



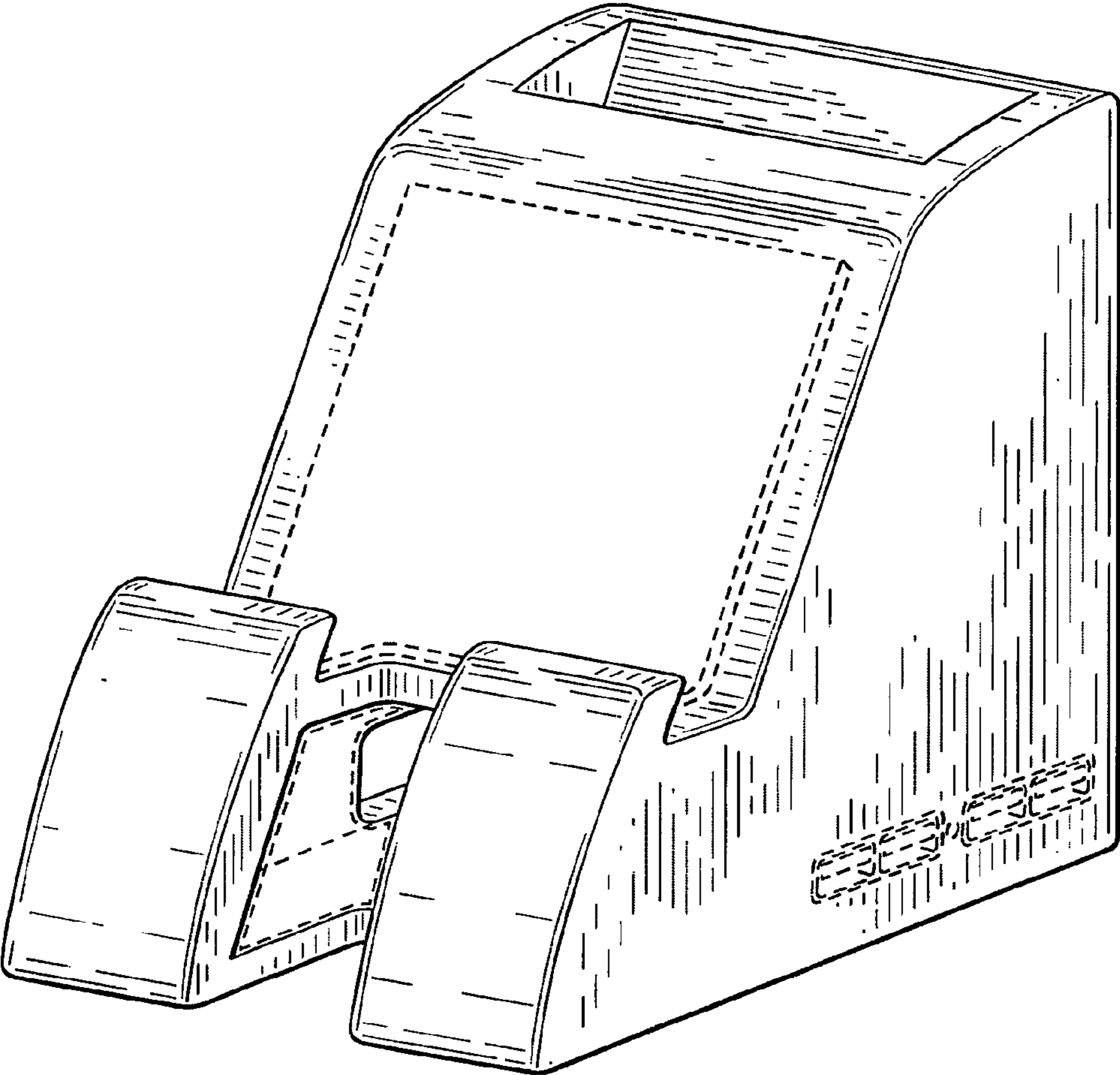


FIG. 1

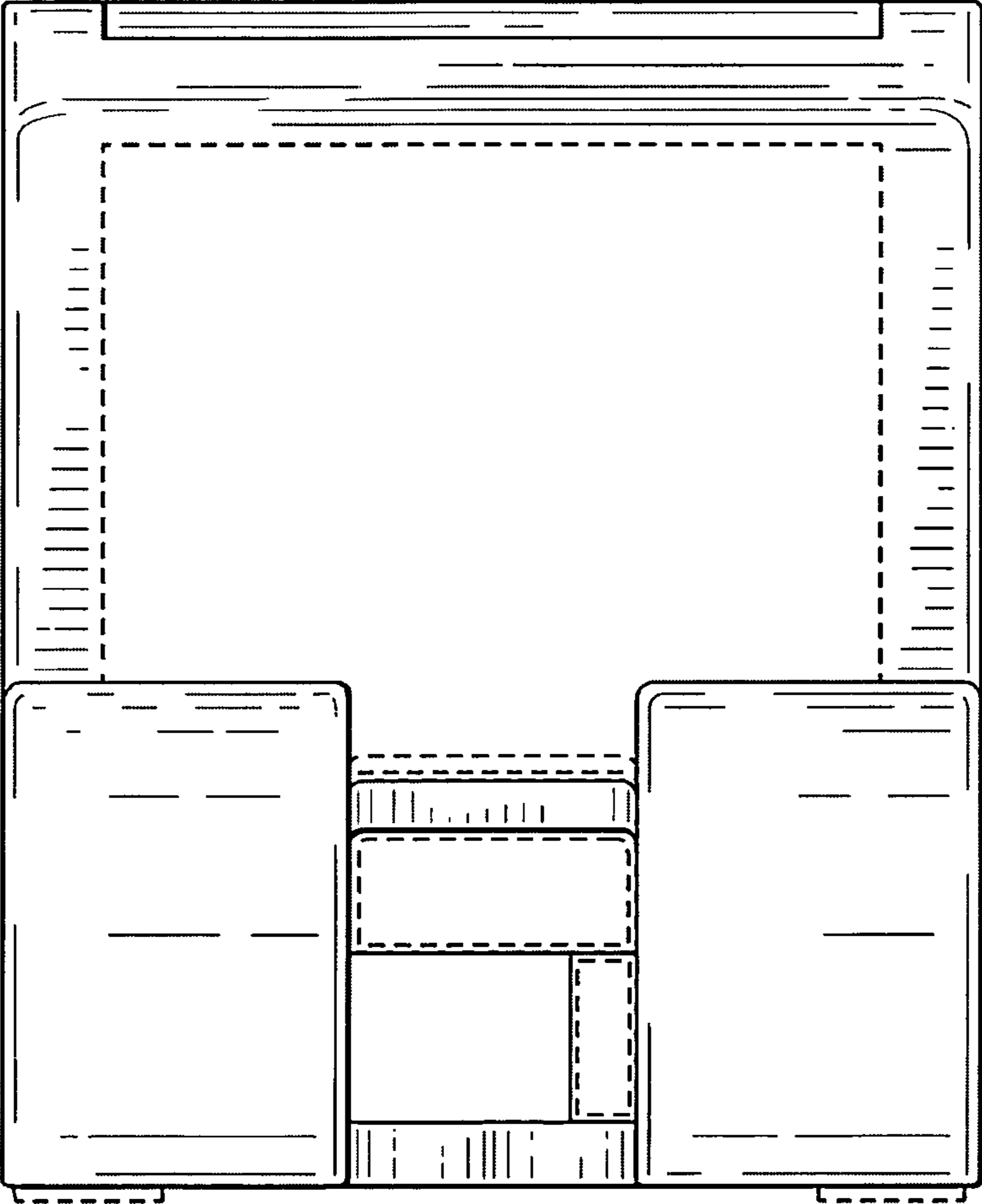


FIG. 2

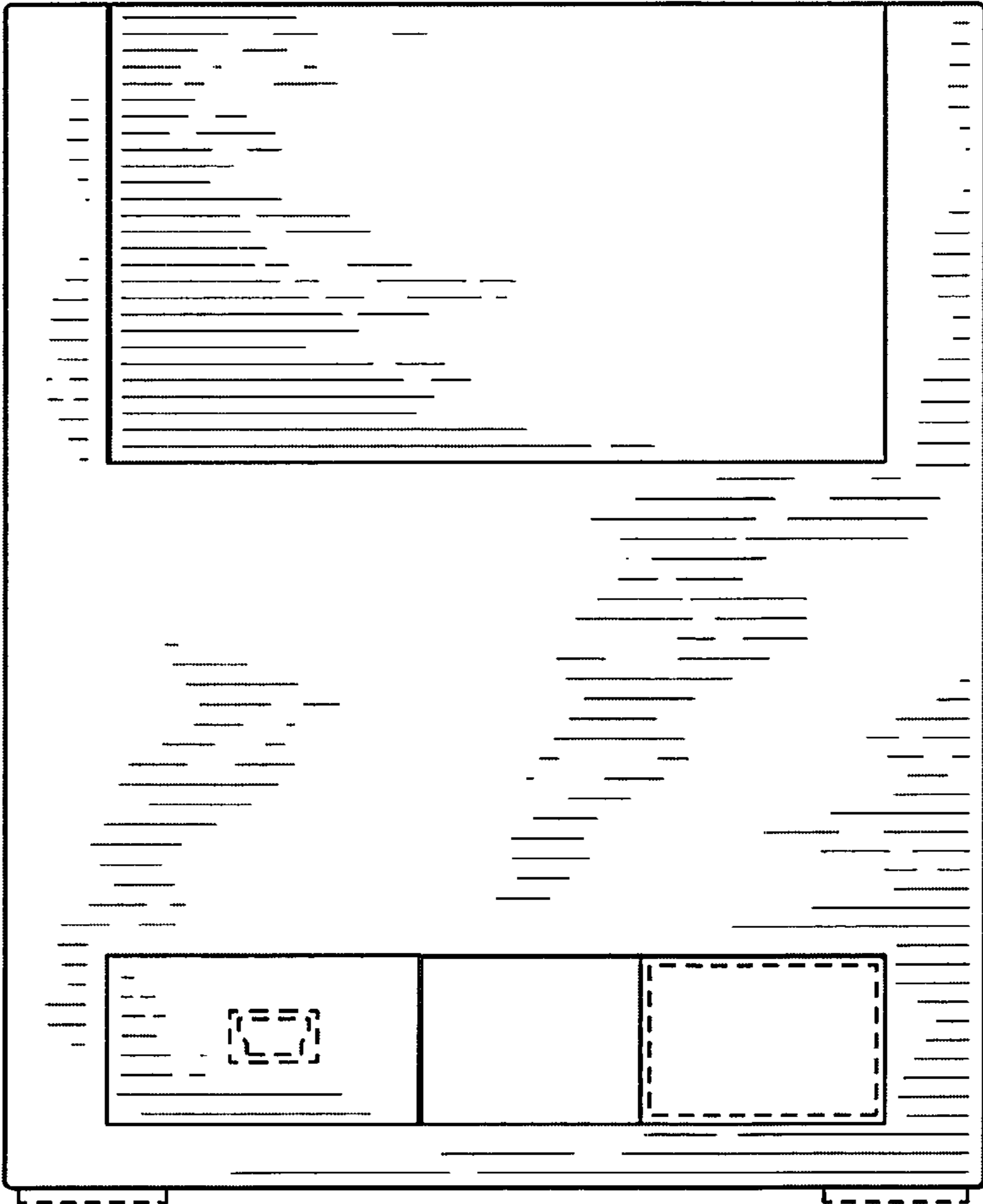


FIG. 3

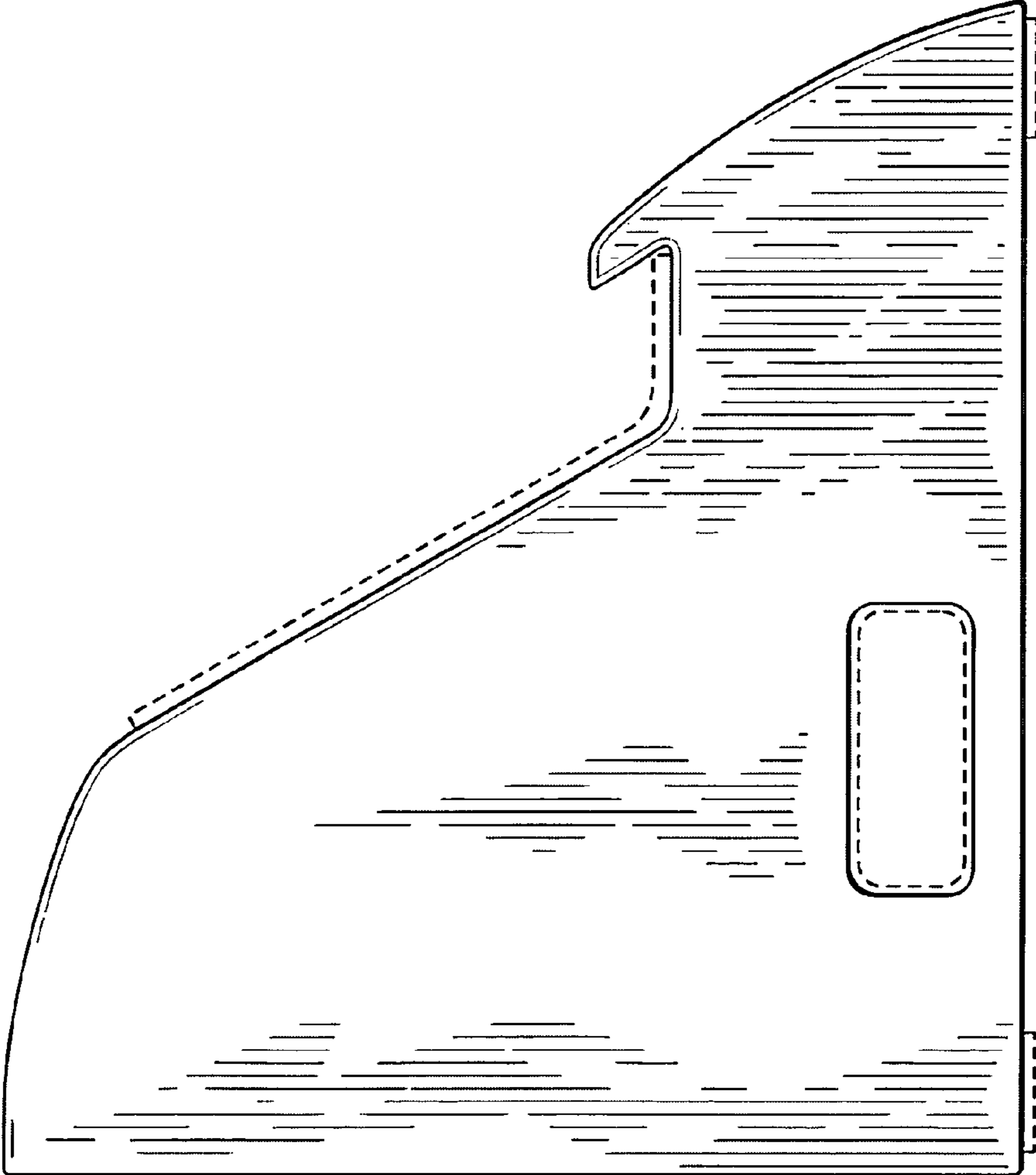


FIG. 4

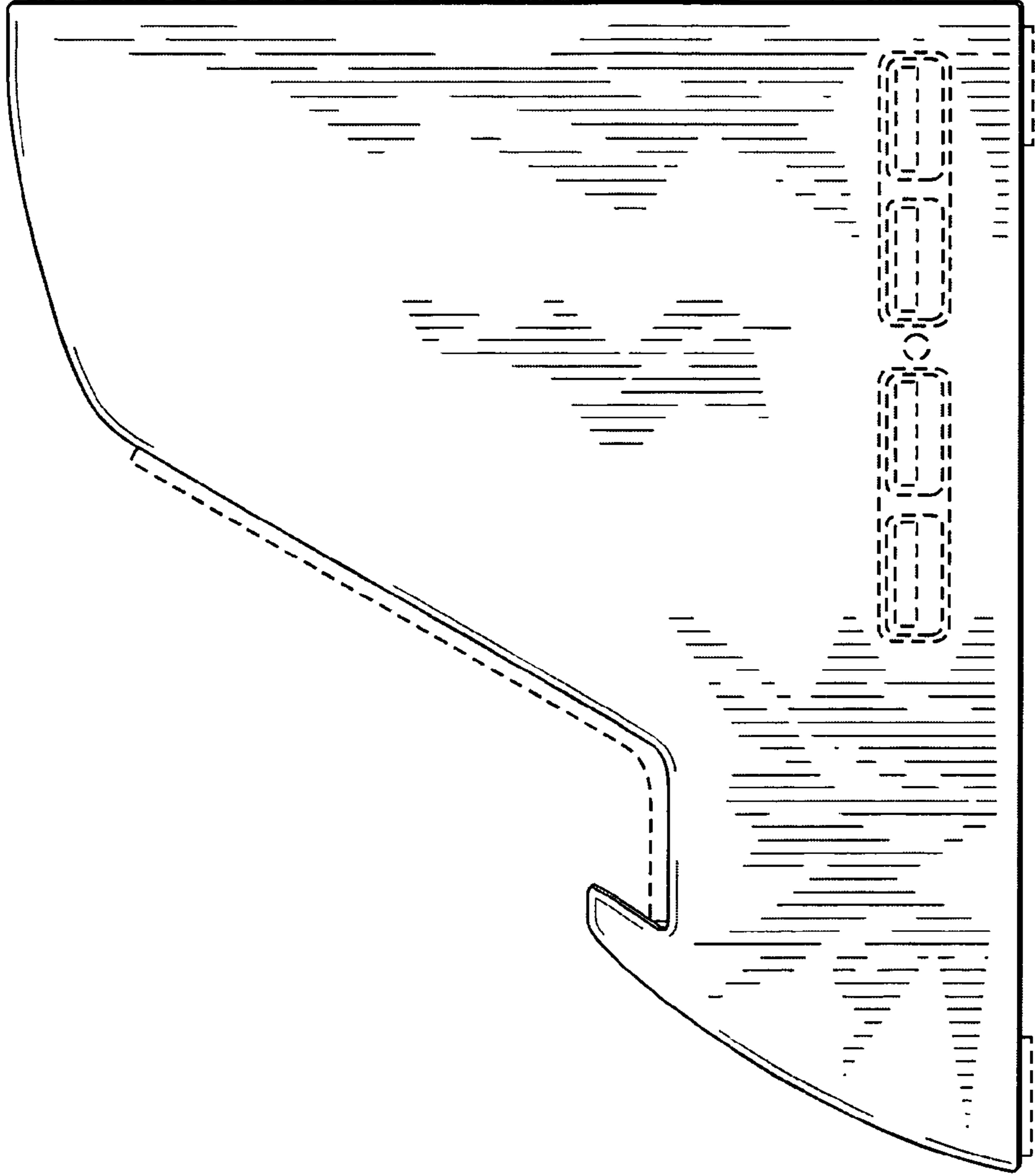


FIG. 5

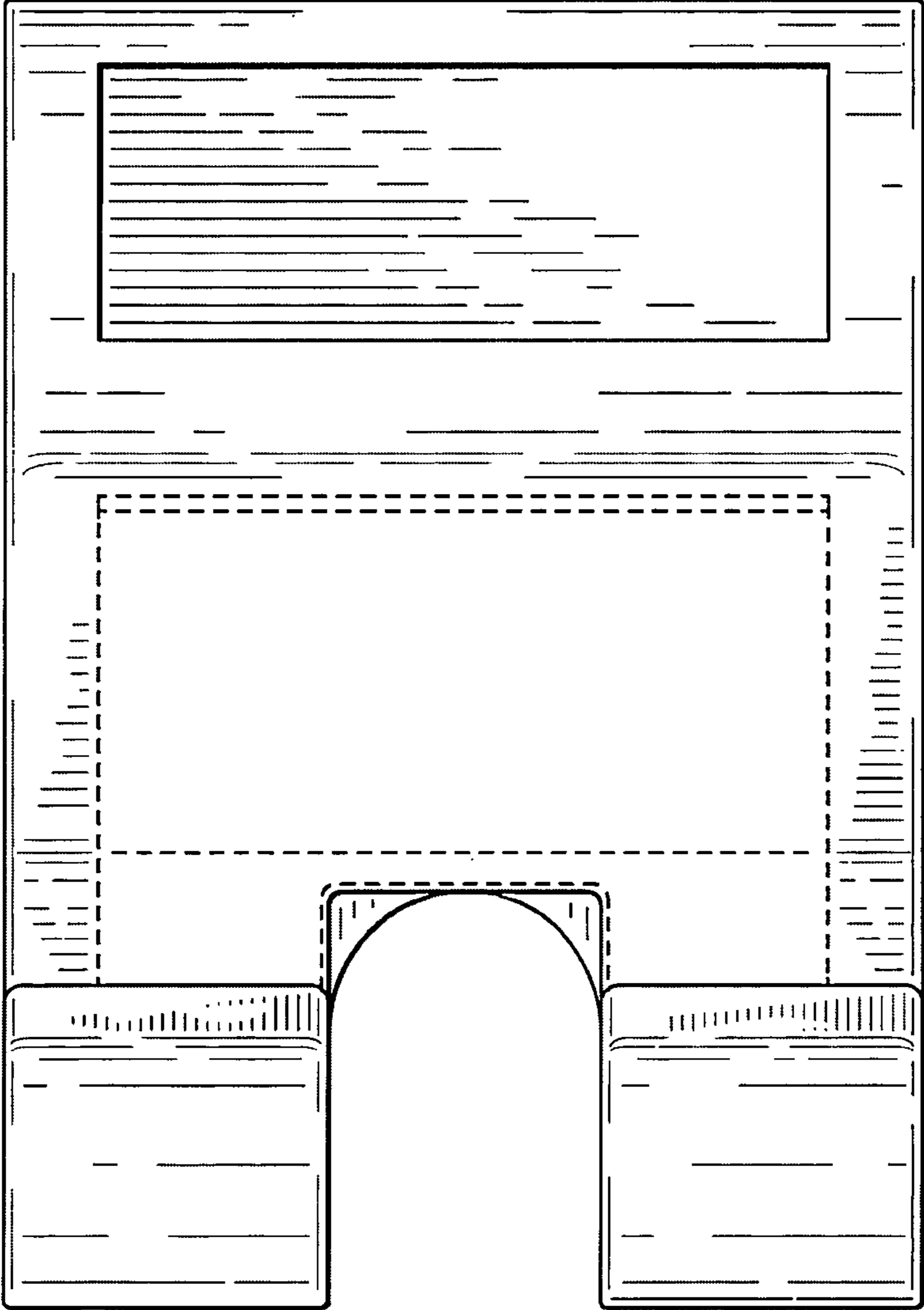


FIG. 6

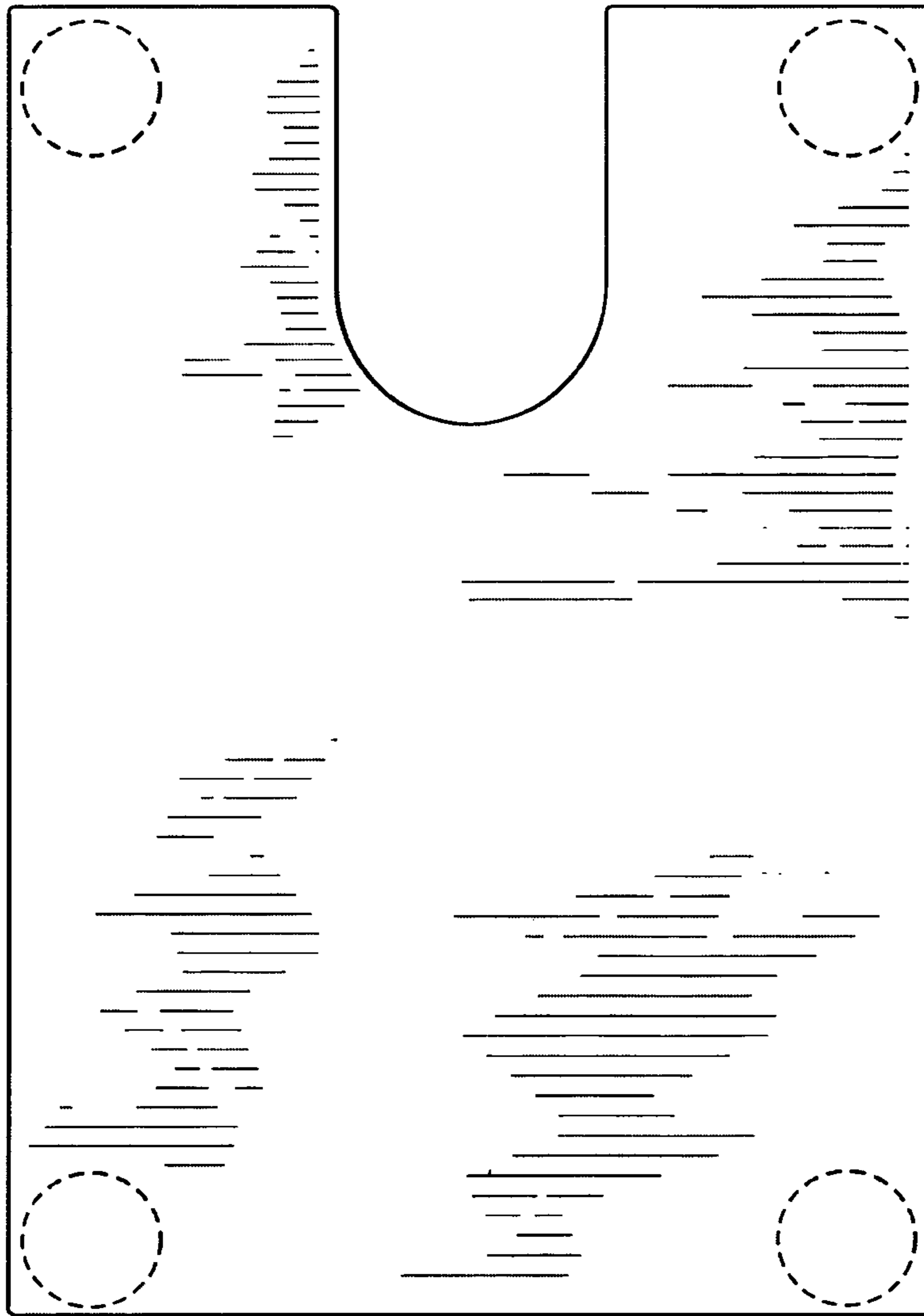


FIG. 7