



US00D699245S

(12) **United States Design Patent**  
**Lee et al.**

(10) **Patent No.:** **US D699,245 S**  
(45) **Date of Patent:** **\*\* Feb. 11, 2014**

(54) **COOLING DEVICE FOR LAPTOP COMPUTERS**

(71) Applicant: **Zalman Tech Co., Ltd.**, Seoul (KR)  
(72) Inventors: **Jae Nam Lee**, Seoul (KR); **Tae Hyun Kim**, Gyeonggi-do (KR)  
(73) Assignee: **Zalman Tech Co., Ltd.**, Seoul (KR)  
(\*\*) Term: **14 Years**  
(21) Appl. No.: **29/435,372**  
(22) Filed: **Oct. 23, 2012**

(30) **Foreign Application Priority Data**  
Apr. 23, 2012 (KR) ..... 30-2012-0019312  
(51) **LOC (10) Cl.** ..... **08-07**  
(52) **U.S. Cl.**  
USPC ..... **D14/447**  
(58) **Field of Classification Search**  
USPC ..... D14/432, 433, 434, 439, 440, 451, 452, D14/239, 217, 224.1, 251, 252, 253, 457, D14/458, 459, 460, 461; D6/406.1, 406.2, D6/406.3, 406.4, 406.5, 406.6; 361/679.06, 679.21, 679.22, 679.24, 361/679.26, 679.27, 679.28, 679.3, 679.55, 361/679.56, 709; 248/917-924, 133, 136, 248/139, 150, 176.1, 188.6; D13/108, 110  
See application file for complete search history.

(56) **References Cited**

U.S. PATENT DOCUMENTS

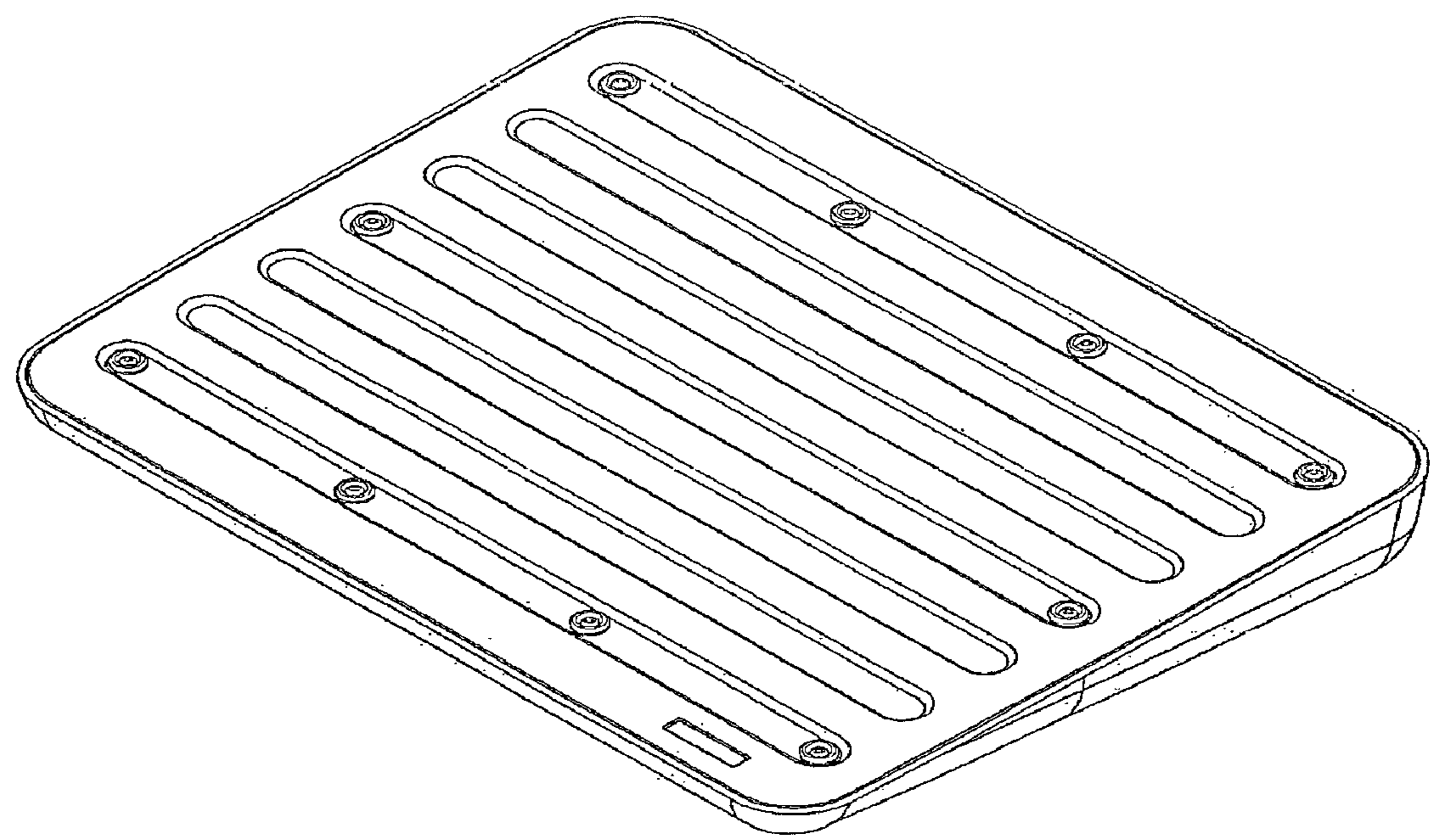
D449,048	S	*	10/2001	Yu et al.	.....	D14/439
6,707,668	B2	*	3/2004	Huang	.....	361/679.48
D522,002	S	*	5/2006	Cheng	.....	D14/439
D555,162	S	*	11/2007	Park et al.	.....	D14/447
D574,005	S	*	7/2008	Chung	.....	D14/447
D597,557	S	*	8/2009	Hu	.....	D14/496
D598,920	S	*	8/2009	Fujino et al.	.....	D14/447
7,663,876	B2	*	2/2010	Lin	.....	361/679.47
D618,691	S	*	6/2010	Seo et al.	.....	D14/447
D637,599	S	*	5/2011	Liao	.....	D14/447
7,980,526	B2	*	7/2011	Lord et al.	.....	248/444
8,075,073	B2	*	12/2011	Huang	.....	312/330.1
D683,348	S	*	5/2013	Xiang et al.	.....	D14/447

\* cited by examiner  
*Primary Examiner* — Angela J Lee  
(74) *Attorney, Agent, or Firm* — Ladas & Parry LLP

(57) **CLAIM**  
The ornamental design for a cooling device for laptop computers, as shown and described.

**DESCRIPTION**  
FIG. 1 is a perspective view of a cooling device for laptop computers showing our new design;  
FIG. 2 is a front elevational view thereof;  
FIG. 3 is a rear elevational view thereof;  
FIG. 4 is a left side elevational view thereof;  
FIG. 5 is a right side elevational view thereof;  
FIG. 6 is a top plan view thereof; and,  
FIG. 7 is a bottom plan view thereof.  
The broken line portions in FIG. 7 form no part of the claimed design.

**1 Claim, 3 Drawing Sheets**



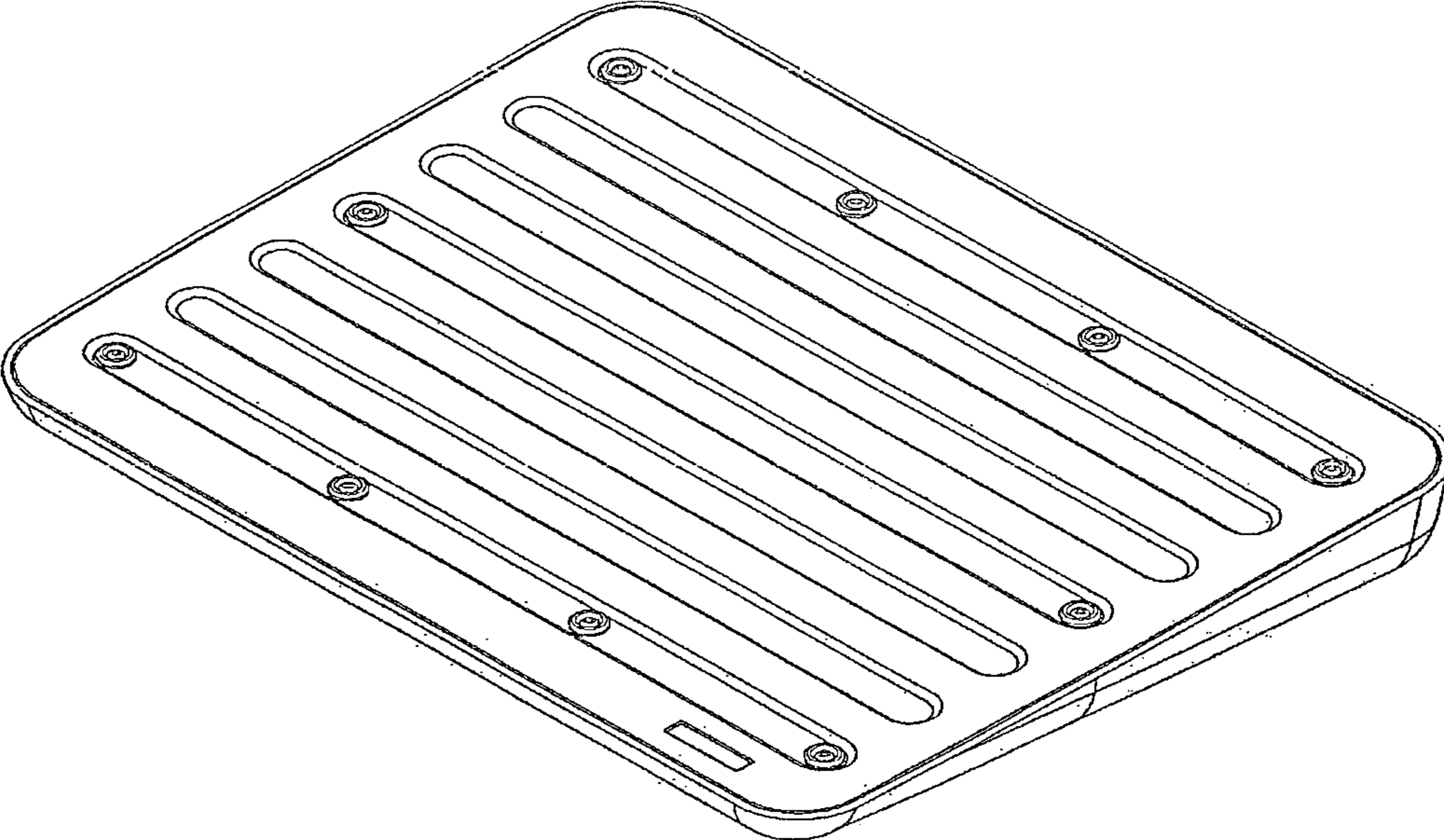


FIG. 1

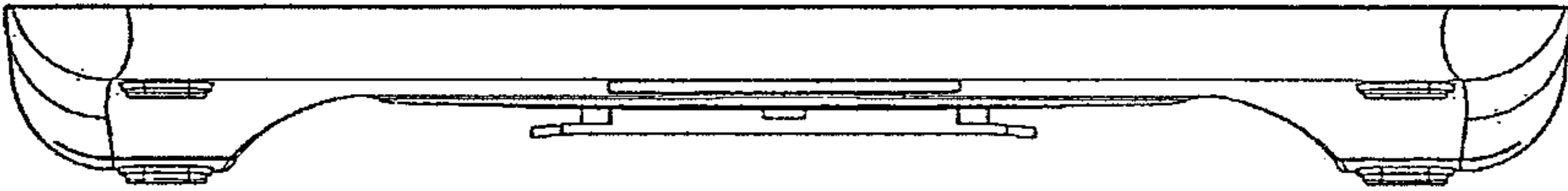


FIG. 2

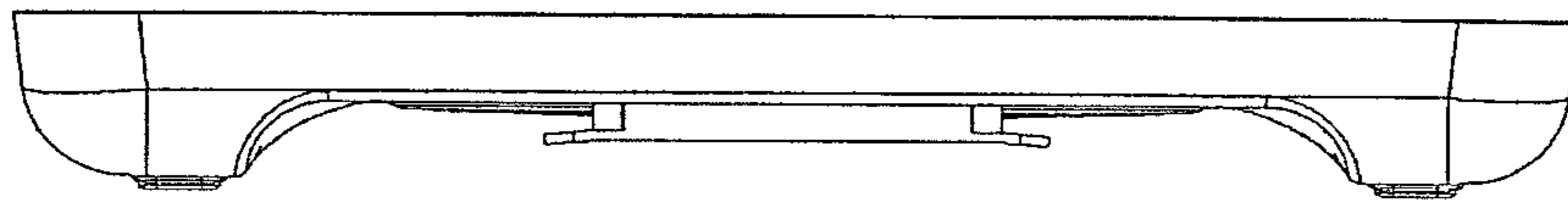


FIG. 3

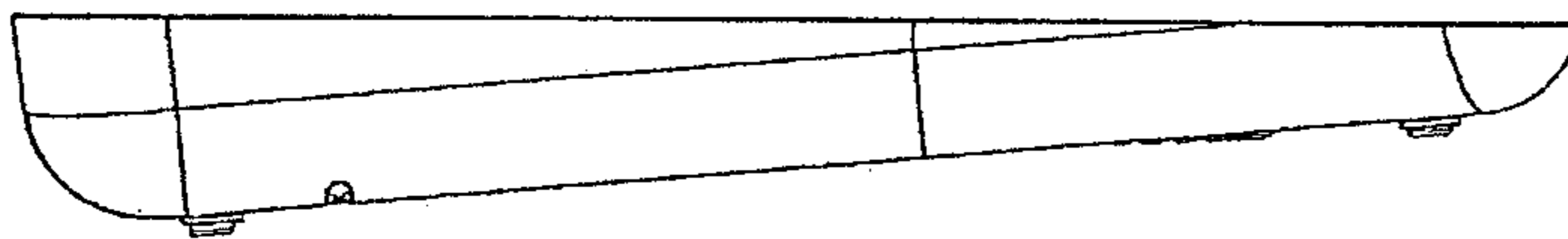


FIG. 4

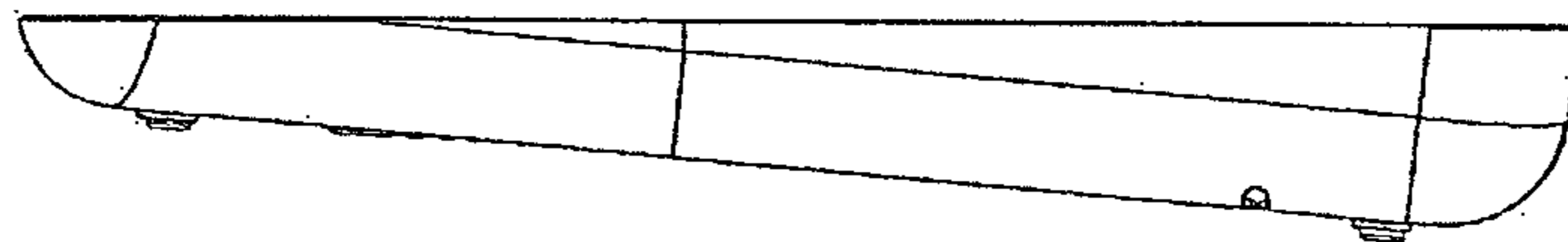


FIG. 5

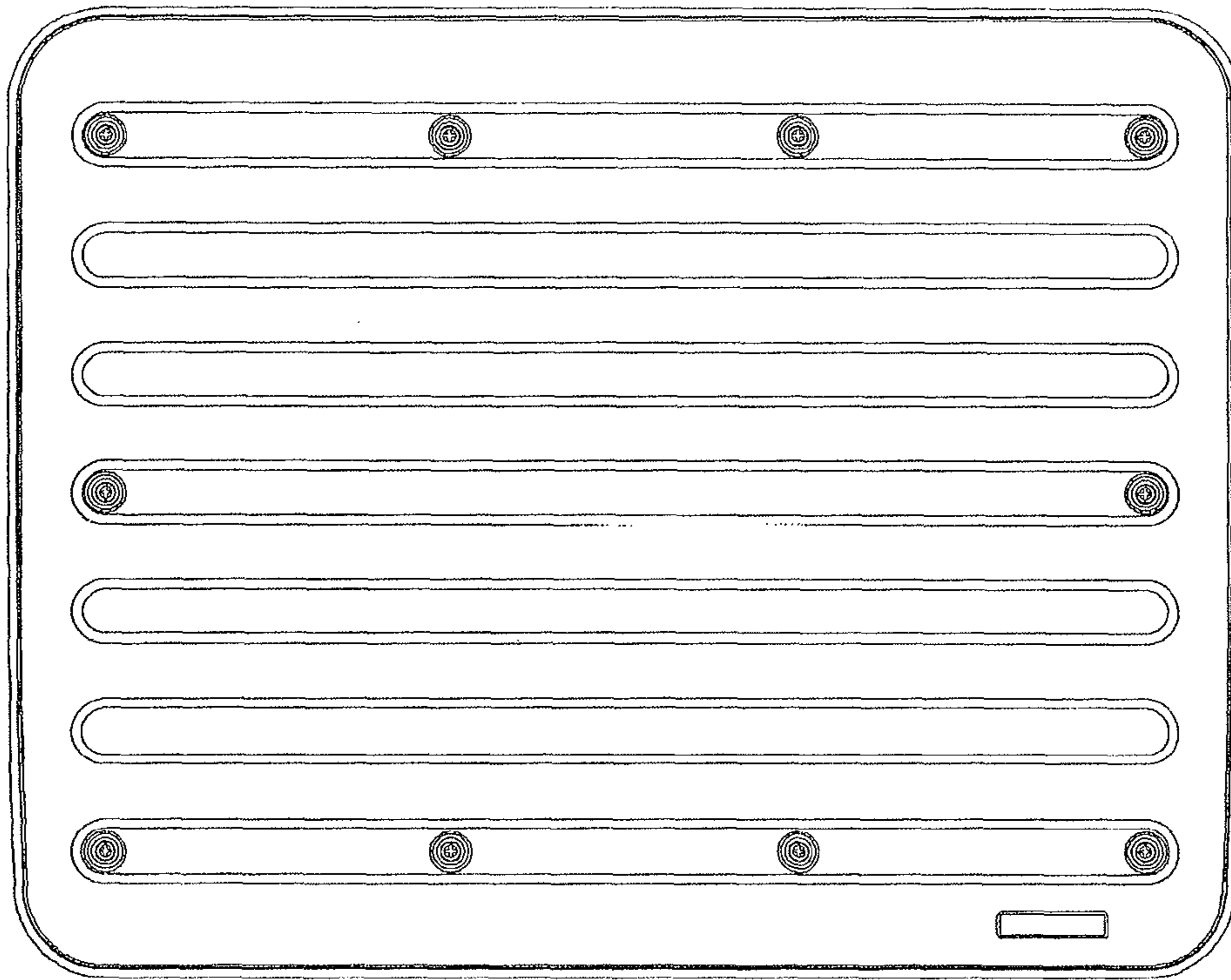


FIG. 6

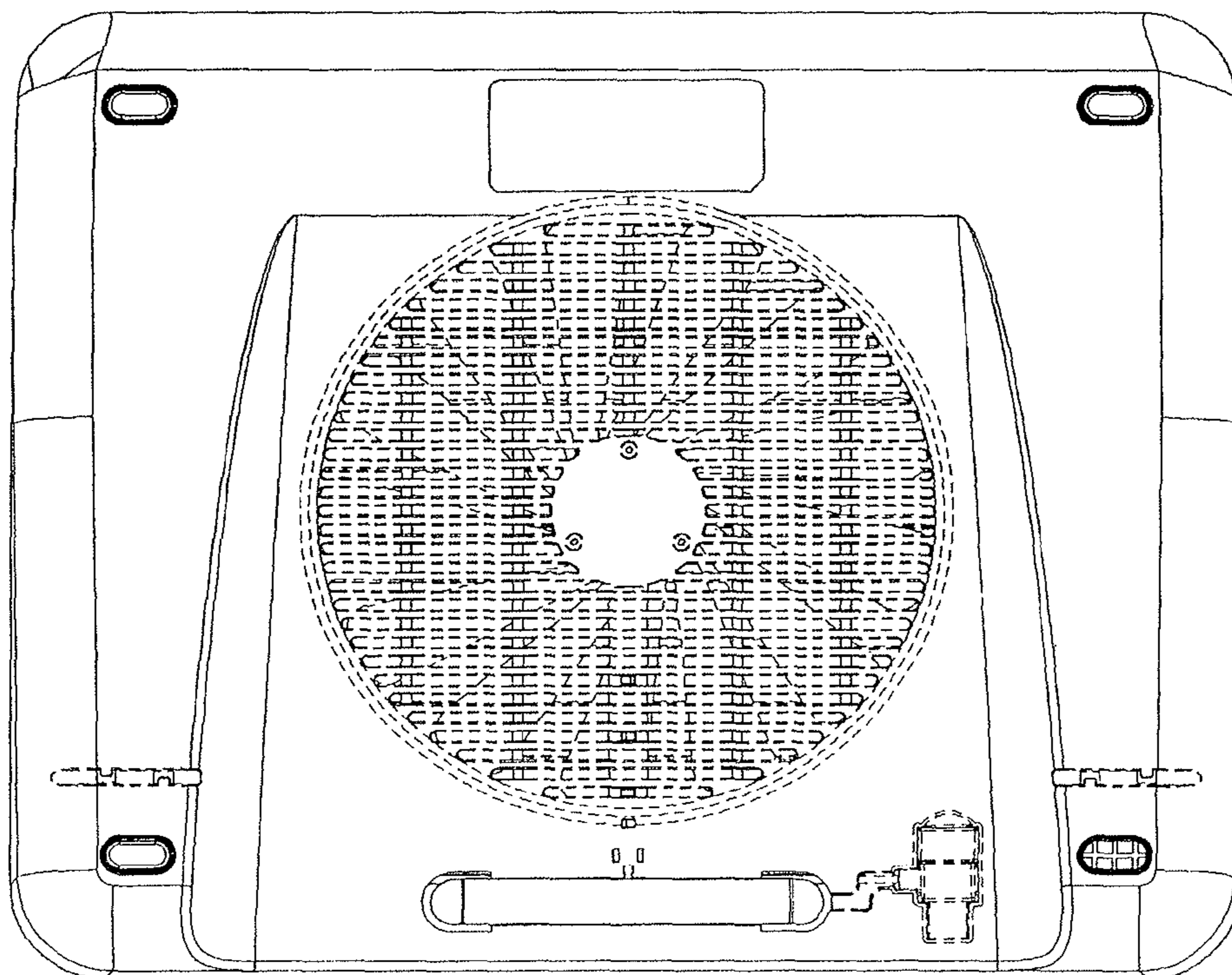


FIG. 7