



US00D699244S

(12) **United States Design Patent**
Buckley

(10) **Patent No.:** **US D699,244 S**

(45) **Date of Patent:** **** Feb. 11, 2014**

(54) **TABLET COMPUTER CASE**

(71) Applicant: **Patrick Buckley**, San Francisco, CA
(US)

(72) Inventor: **Patrick Buckley**, San Francisco, CA
(US)

(73) Assignee: **DODOcase, Inc.**, San Francisco, CA
(US)

(**) Term: **14 Years**

(21) Appl. No.: **29/441,211**

(22) Filed: **Jan. 2, 2013**

(51) **LOC (10) Cl.** **14-02**

(52) **U.S. Cl.**

USPC **D14/440**

(58) **Field of Classification Search**

USPC D14/250, 251, 253, 240, 217, 496, 440,
D14/203.3, 203.4, 203.5, 203.8, 341, 318;
D3/218, 215, 201, 294, 289, 900;
220/4.02; 248/309.1; 361/679.56;
379/426, 433.11, 455; 455/575.1,
455/575.8; 190/100; 206/305, 320;
D21/469

See application file for complete search history.

(56) **References Cited**

U.S. PATENT DOCUMENTS

D357,918 S *	5/1995	Doria	D14/218
D553,352 S *	10/2007	Allen	D3/218
D565,839 S *	4/2008	Allen	D3/218
D655,701 S *	3/2012	Bruette	D14/250
D656,134 S *	3/2012	Melville et al.	D14/250
D656,135 S *	3/2012	Swartz et al.	D14/250
8,132,670 B1 *	3/2012	Chen	206/320
D659,132 S *	5/2012	Wen	D14/250
D662,929 S *	7/2012	Fahrendorff et al.	D14/250
D673,937 S *	1/2013	Cheng et al.	D14/250
D674,380 S *	1/2013	Soekoro	D14/250
D678,262 S *	3/2013	Prato	D14/250

D679,695 S *	4/2013	Fahrendorff et al.	D14/250
2011/0297578 A1 *	12/2011	Stiehl et al.	206/701
2012/0043236 A1 *	2/2012	Szucs et al.	206/320

* cited by examiner

Primary Examiner — Cynthia Underwood

(74) *Attorney, Agent, or Firm* — Leason Ellis LLP

(57) **CLAIM**

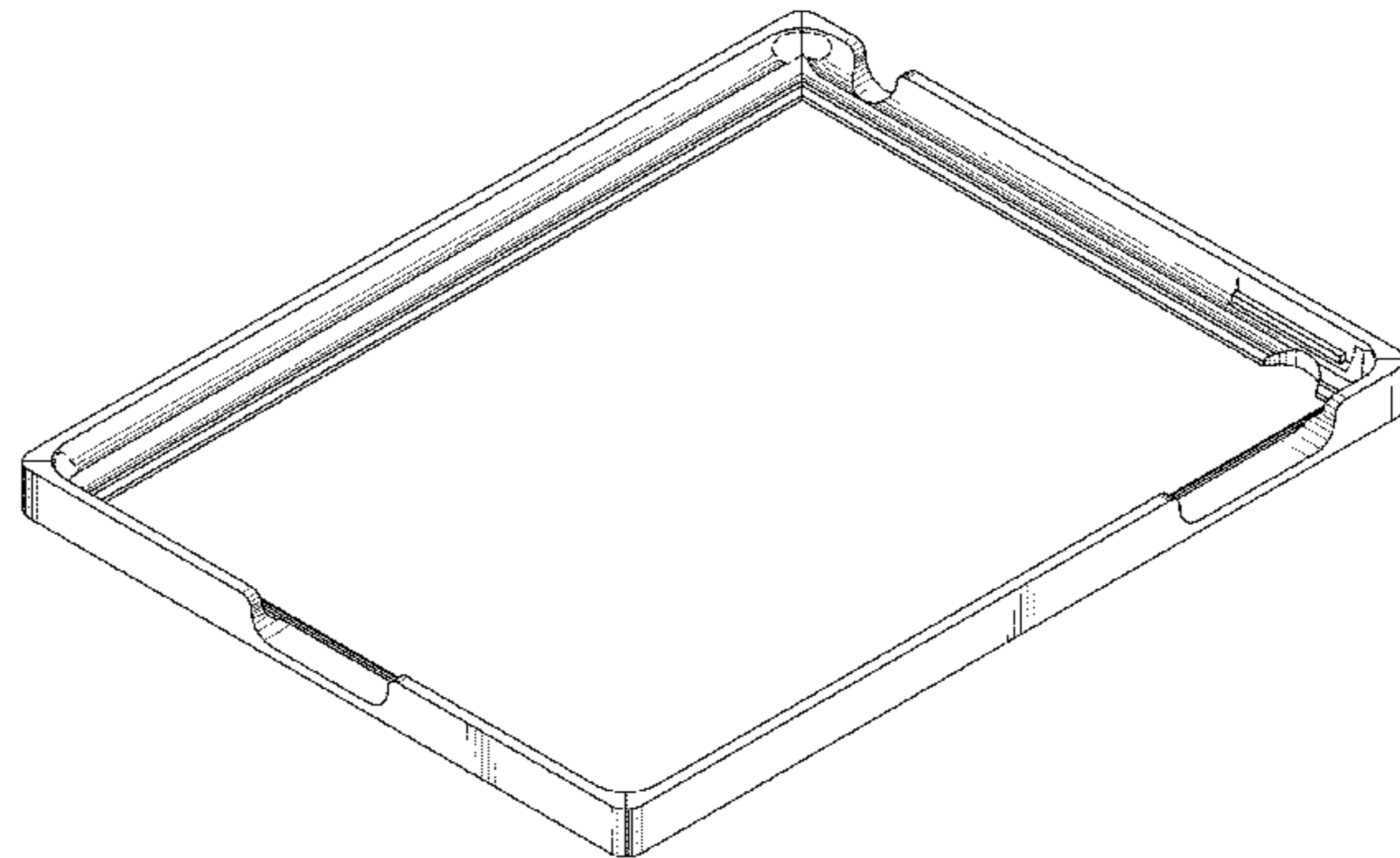
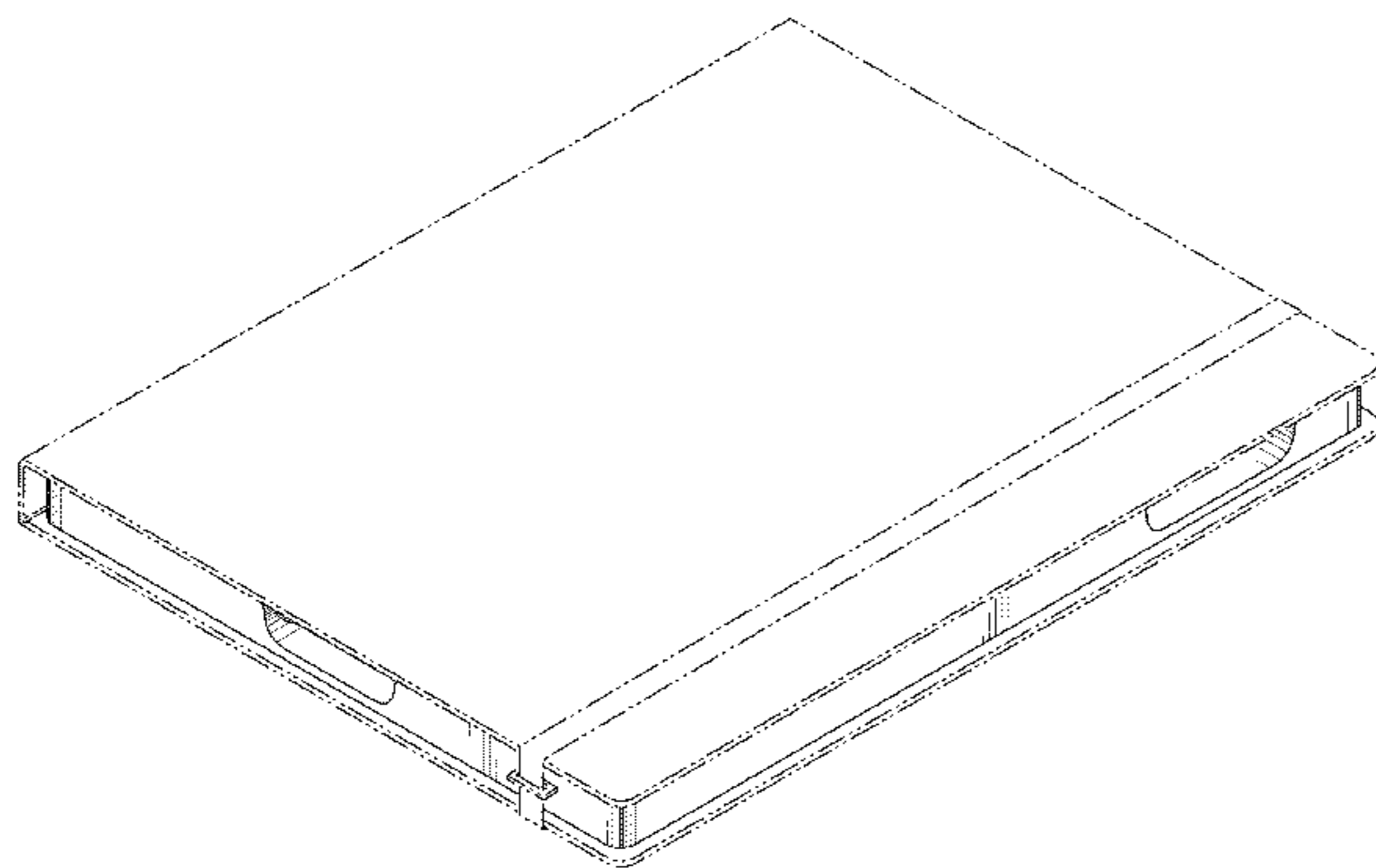
The ornamental design for a tablet computer case, as shown and described.

DESCRIPTION

FIG. 1 is a front-right perspective view of a tablet computer case, showing unclaimed corner pads, corner cut-outs, an elastic closure and cover in a completely open position; FIG. 2 is a left side elevation view of the tablet computer case of FIG. 1, showing unclaimed corner pads, elastic closure and cover in a completely open position; FIG. 3 is a right side elevation of the tablet computer case of FIG. 1, showing unclaimed corner pads, elastic closure and cover in a completely open position; FIG. 4 is a rear elevation view of the tablet computer case of FIG. 1, showing unclaimed corner pads, elastic closure and cover in a completely open position; FIG. 5 is a front elevation view of the tablet computer case of FIG. 1, showing unclaimed corner pads, elastic closure and cover in a completely open position; FIG. 6 is a top plan view of the tablet computer case of FIG. 1, showing unclaimed corner pads, corner cut-outs, elastic closure and cover in a completely open position; FIG. 7 is the bottom plan view of the tablet computer case of FIG. 1, showing unclaimed elastic closure and cover in a completely open position; FIG. 8 is the front right perspective view of the tablet computer case of FIG. 1, showing unclaimed elastic closure and the cover in a closed position; FIG. 9 is the front right perspective view of the tablet computer case of FIG. 1; and, FIG. 10 is a bottom plan view of the tablet computer case of FIG. 1.

The broken lines illustrate the environment of use only and form no part of the claimed design.

1 Claim, 8 Drawing Sheets



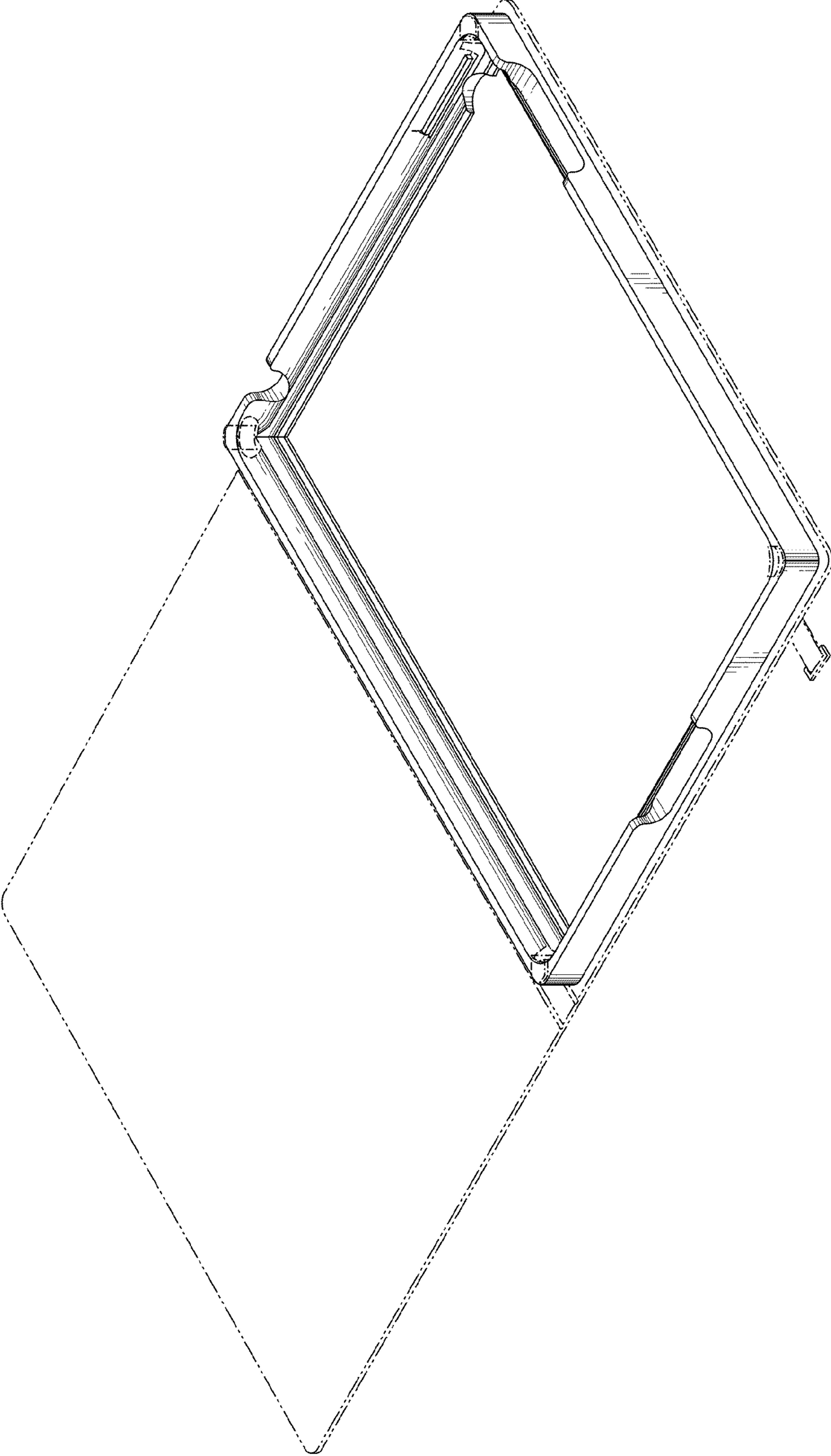


Fig. 1

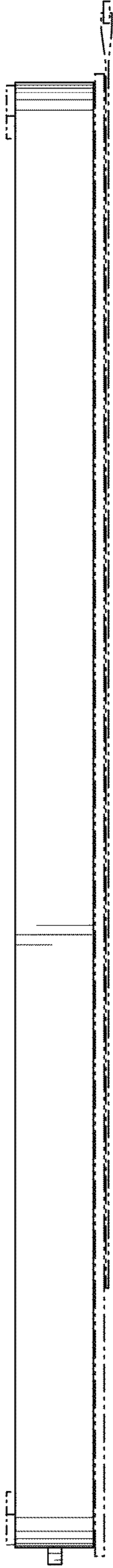


Fig. 2

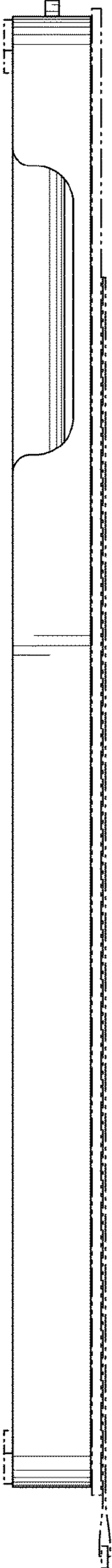


Fig. 3

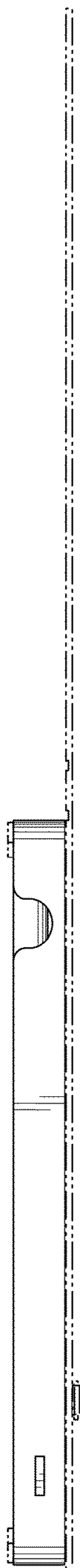


Fig. 4

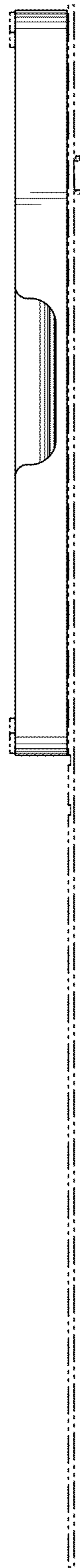


Fig. 5

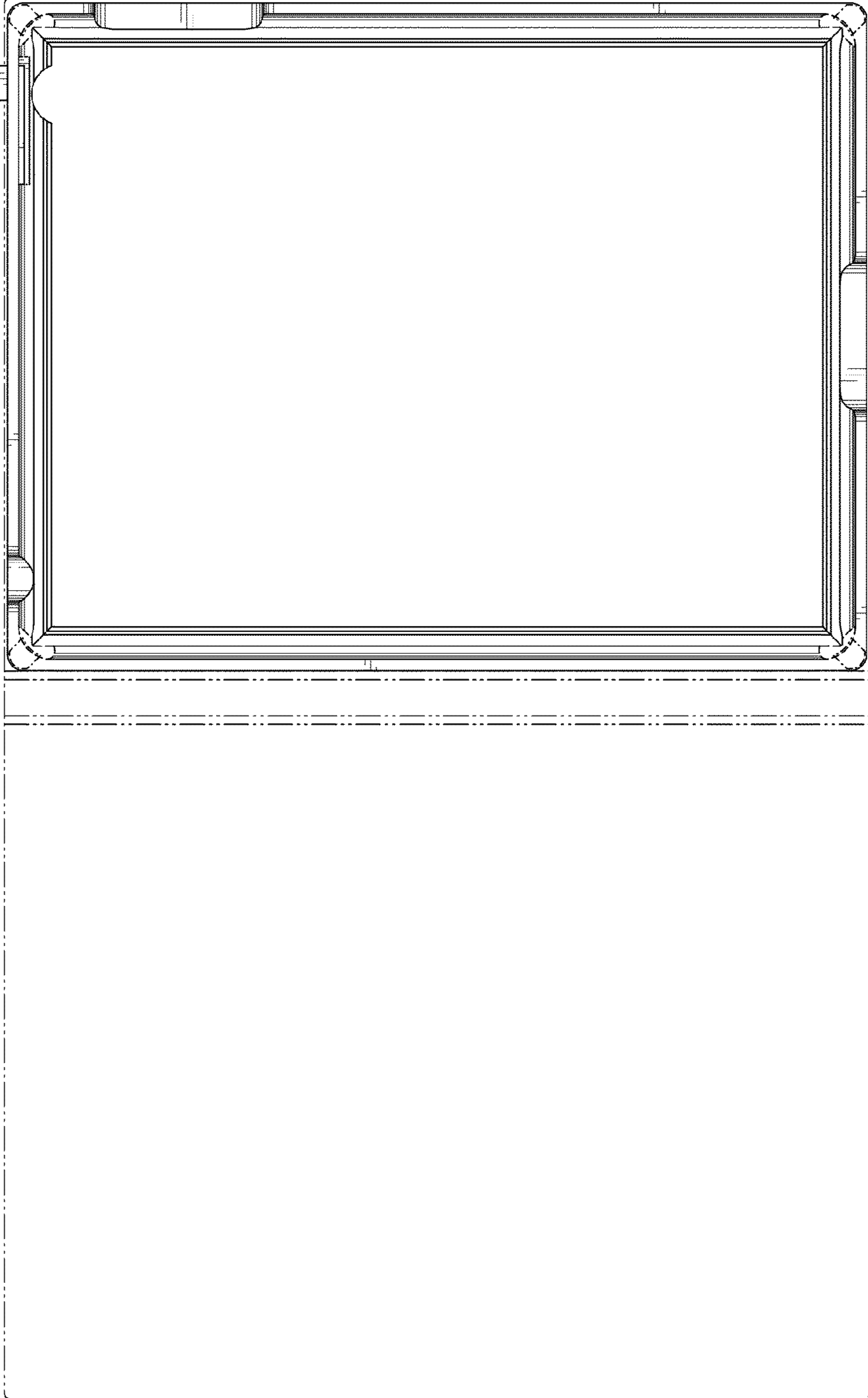


Fig. 6

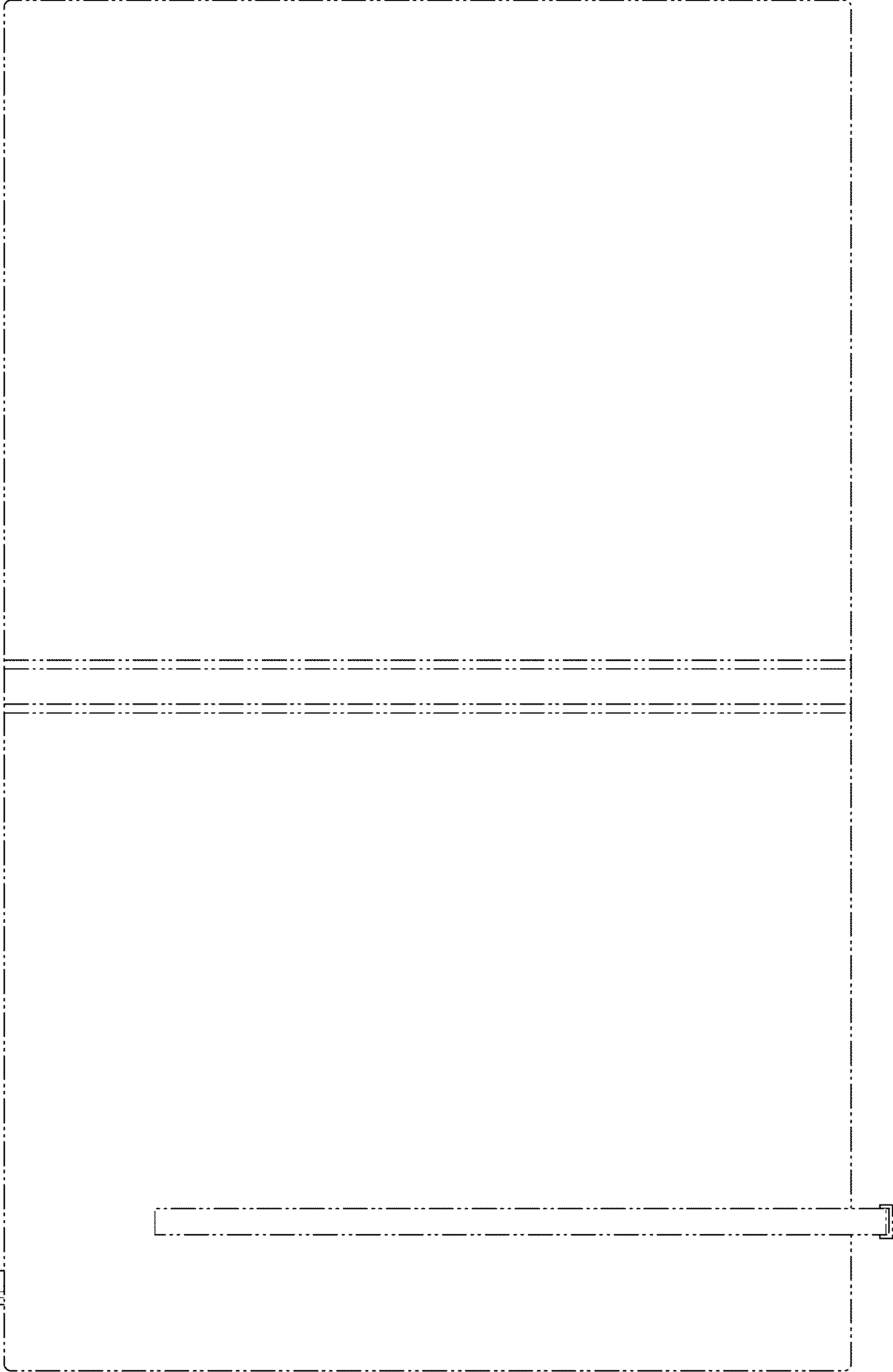


Fig. 7

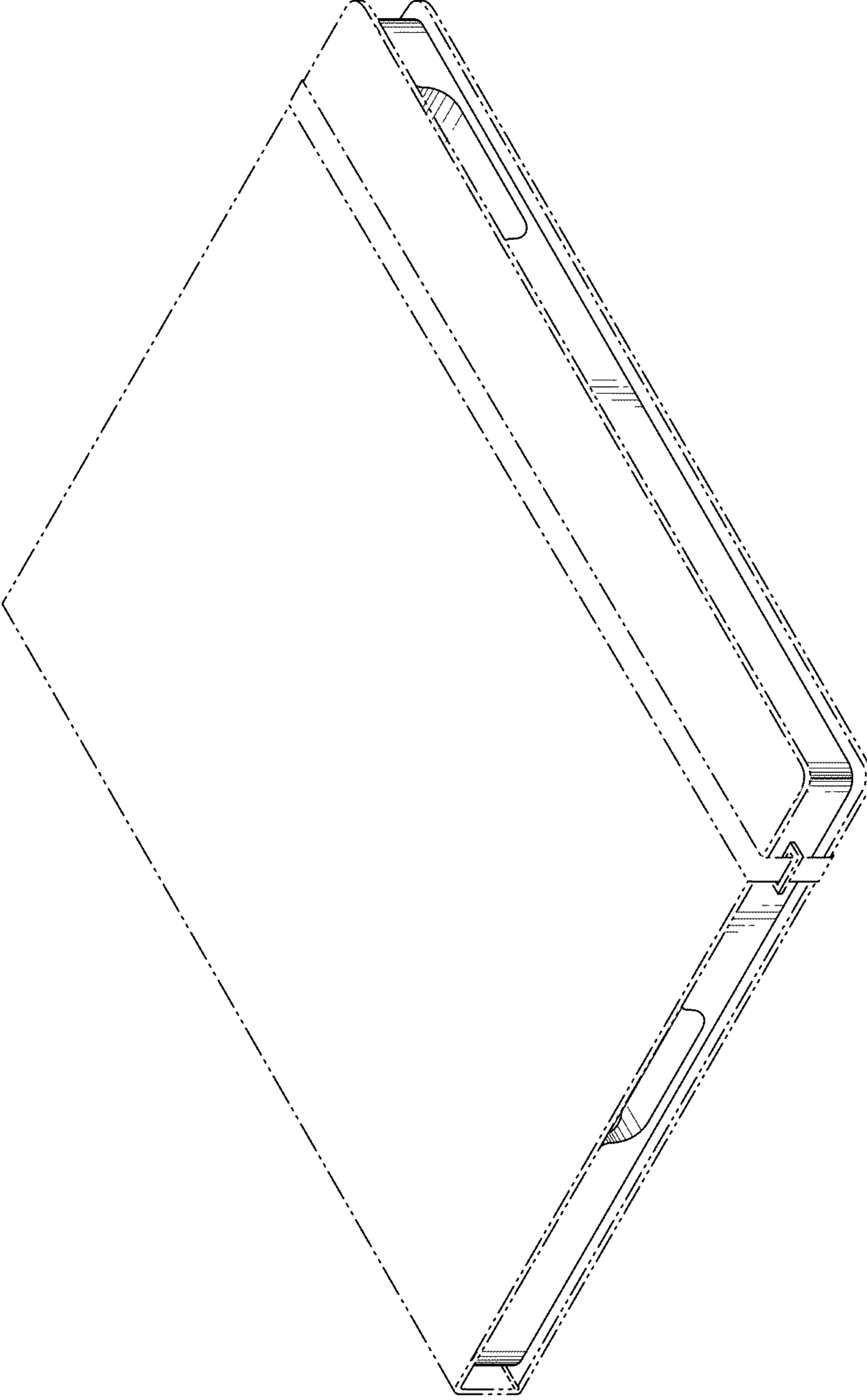


Fig. 8

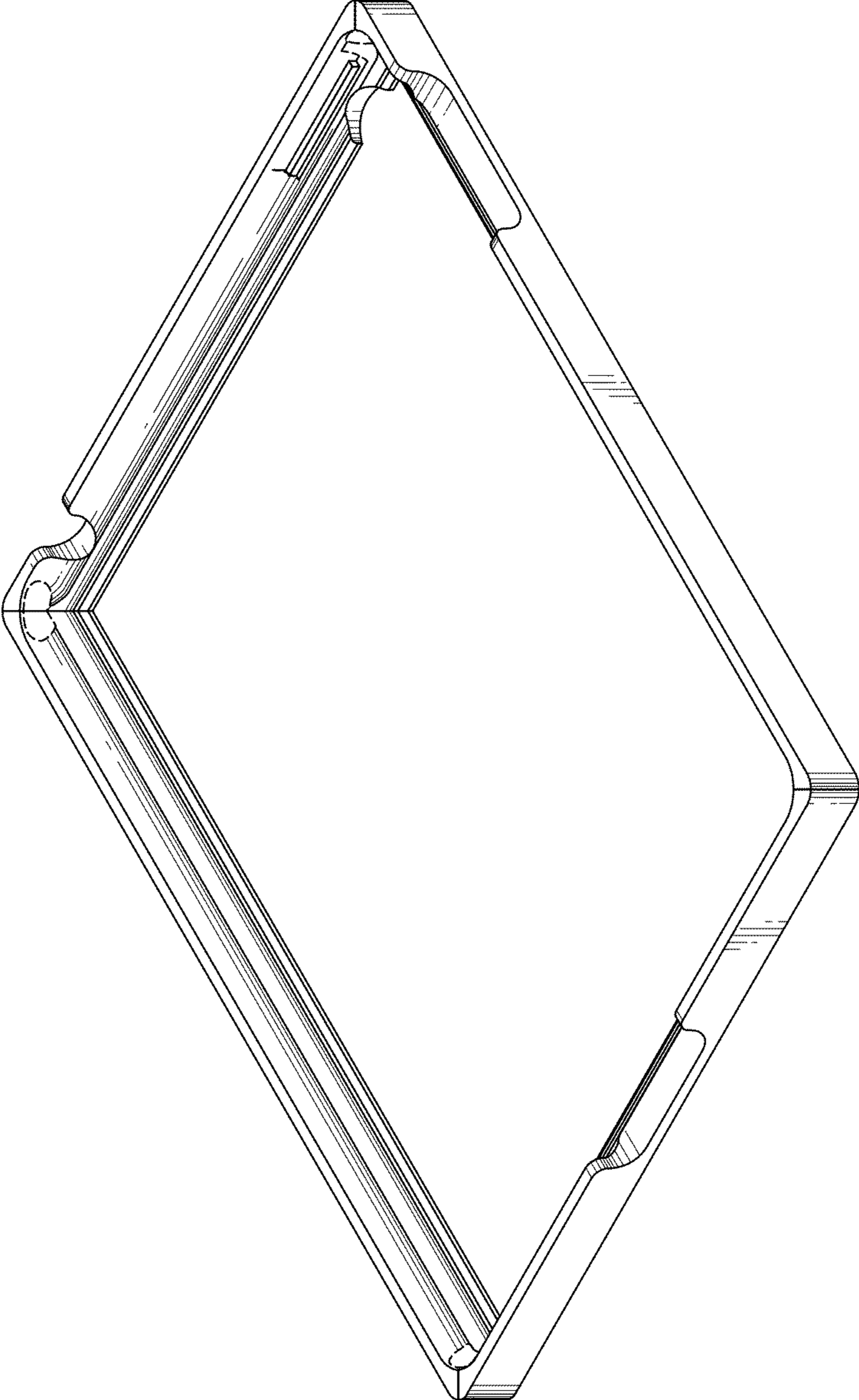


Fig. 9

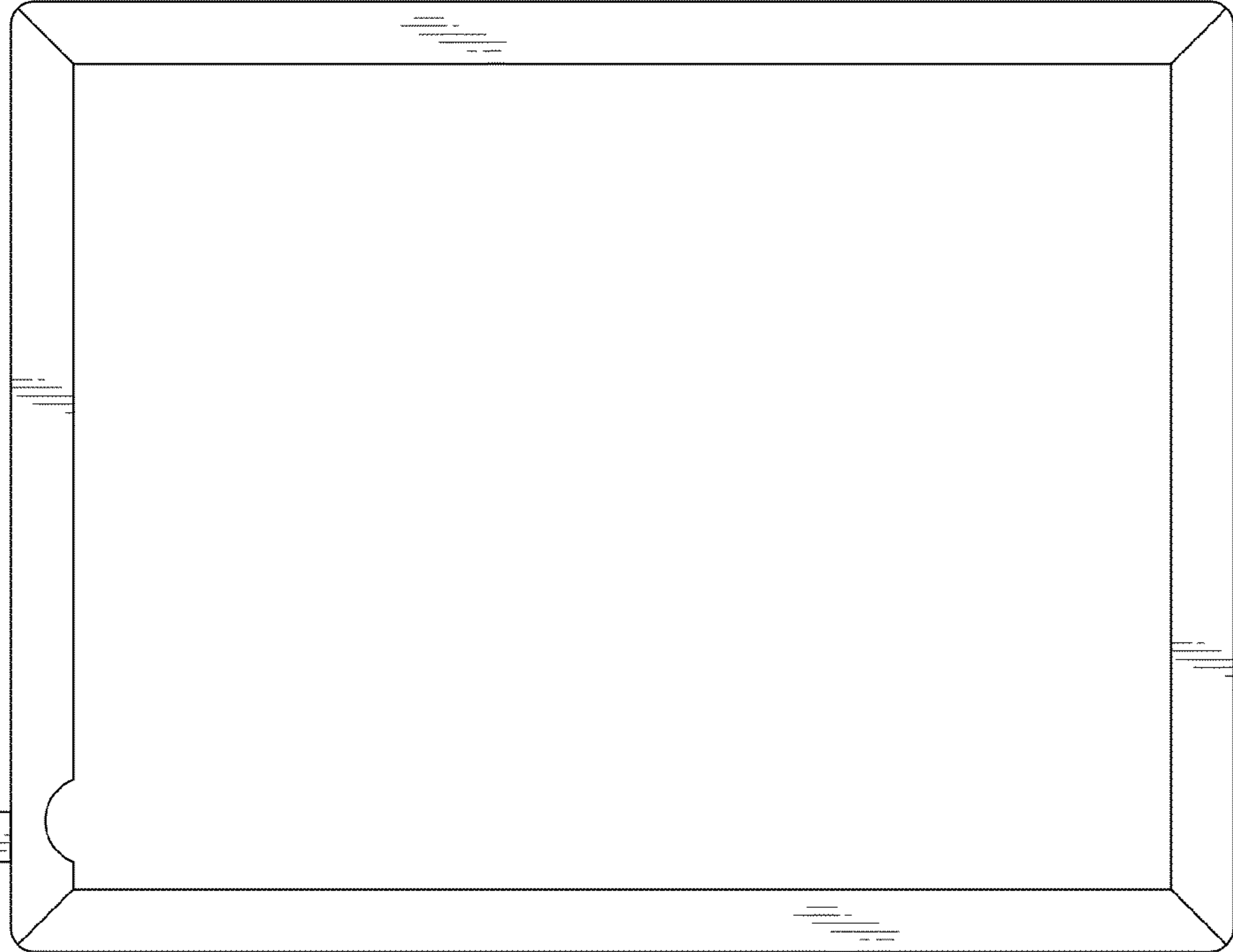


Fig. 10