



US00D699242S

(12) **United States Design Patent**
Hu

(10) **Patent No.:** **US D699,242 S**

(45) **Date of Patent:** **** Feb. 11, 2014**

(54) **SCANNER**

(76) **Inventor:** **Yulun Hu, Changsa (CN)**

(**) **Term:** **14 Years**

(21) **Appl. No.:** **29/411,774**

(22) **Filed:** **Jan. 26, 2012**

(51) **LOC (10) Cl.** **14-02**

(52) **U.S. Cl.**
USPC **D14/423**

(58) **Field of Classification Search**
USPC D14/420-425; D16/232, 229, 235, 221;
D18/36; 353/115, 119, 122, DIG. 3,
353/DIG. 4; 396/155, 133, 86;
358/474-498; 348/370, 373, 376, 374,
348/375; 248/187.1, 593, 276.1, 281.11;
D26/63, 65, 64, 62, 135
See application file for complete search history.

5,154,390	A *	10/1992	Bain et al.	248/447.2
D337,843	S *	7/1993	Huang	D26/65
5,247,330	A *	9/1993	Ohyama et al.	355/64
D345,810	S *	4/1994	Yuen	D26/44
D348,323	S *	6/1994	Tseng	D26/94
D350,620	S *	9/1994	Yuen	D26/65
5,374,971	A *	12/1994	Clapp et al.	348/376
5,422,802	A *	6/1995	Lin	362/269
5,444,486	A *	8/1995	Mizuno et al.	348/376
D376,586	S *	12/1996	Shinano	D14/423
D382,362	S *	8/1997	Huang	D26/65
D386,157	S *	11/1997	Hasegawa	D14/423
D386,273	S *	11/1997	Yan	D26/63
5,767,905	A *	6/1998	Archambo	348/373
D399,192	S *	10/1998	Hasegawa	D14/423
D401,953	S *	12/1998	Oh et al.	D16/232
D401,954	S *	12/1998	Oh et al.	D16/232
D405,205	S *	2/1999	Huang	D26/63

(Continued)

Primary Examiner — Susan Moon Lee

(74) *Attorney, Agent, or Firm* — Kenneth A. Godlewski, Esq.; Troutman Sanders LLP

(56) **References Cited**

U.S. PATENT DOCUMENTS

D264,581	S *	5/1982	Mobius	D13/101
D266,429	S *	10/1982	Overman	D16/221
D290,884	S *	7/1987	Sano et al.	D26/65
D293,135	S *	12/1987	Medema et al.	D26/61
4,825,295	A *	4/1989	Ishikawa et al.	348/836
D302,683	S *	8/1989	Iwasaki et al.	D14/423
D303,848	S *	10/1989	Bianchi	D26/65
D305,228	S *	12/1989	Allgeier	D14/423
D305,904	S *	2/1990	Matsumoto	D16/232
4,916,550	A *	4/1990	Miyake et al.	358/471
4,939,580	A *	7/1990	Ishikawa et al.	348/373
4,958,241	A *	9/1990	Ohtomo et al.	358/437
D315,804	S *	3/1991	Von Klier	D26/65
D325,027	S *	3/1992	Wallace et al.	D14/423
D325,997	S *	5/1992	Dieperink et al.	D26/107
D329,098	S *	9/1992	Lu	D26/62

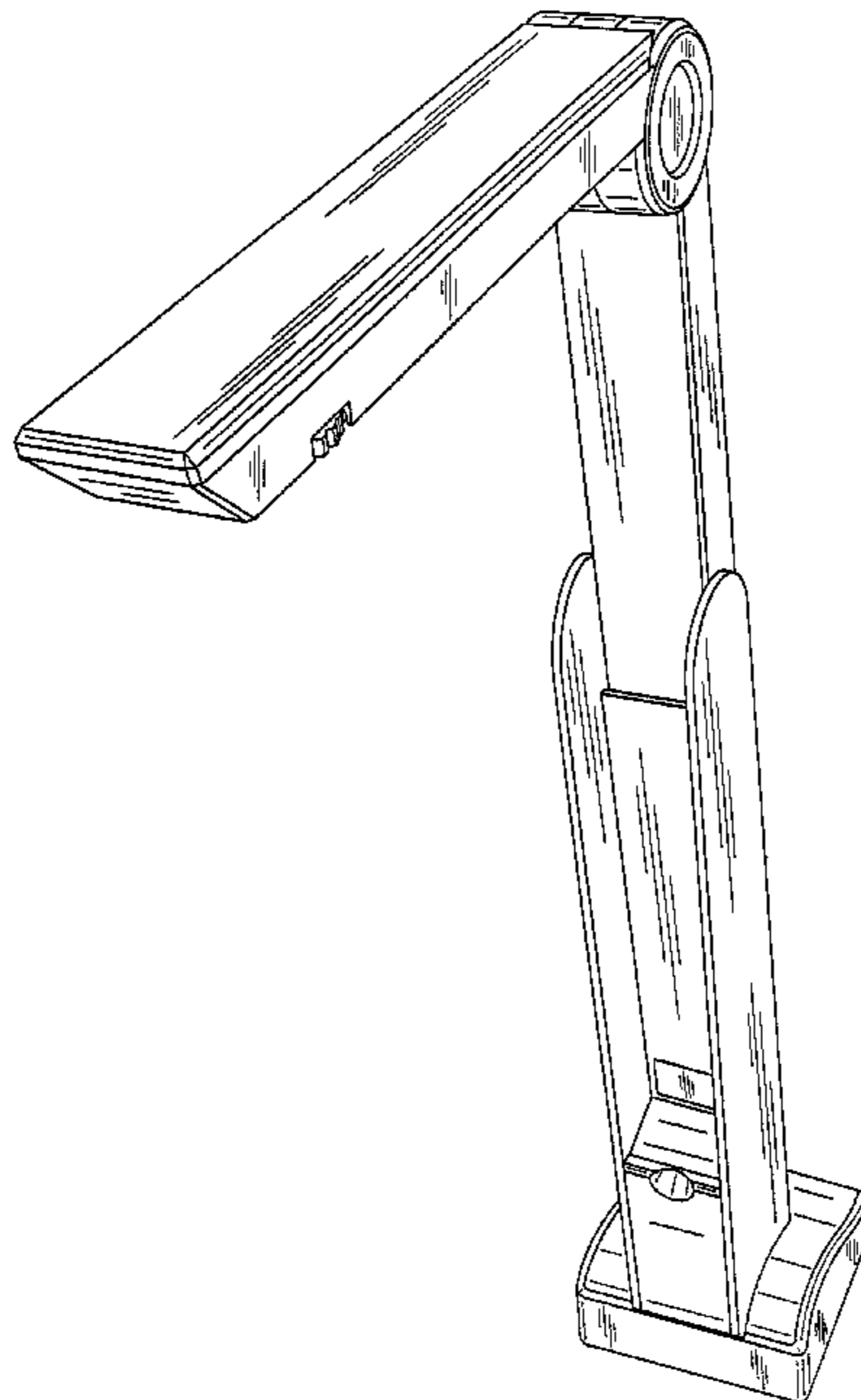
(57) **CLAIM**

The ornamental design for a scanner, as shown and described.

DESCRIPTION

FIG. 1 is a perspective view of a scanner showing my new design;
FIG. 2 is a front view of the design shown in FIG. 1;
FIG. 3 is a rear view of the design shown in FIG. 1;
FIG. 4 is a left side view of the design shown in FIG. 1;
FIG. 5 is a right side view of the design shown in FIG. 1;
FIG. 6 is a top view of the design shown in FIG. 1; and,
FIG. 7 is a bottom view of the design shown in FIG. 1.
Broken lines and unshaded portions contained within broken lines are not claimed.

1 Claim, 6 Drawing Sheets



(56)

References Cited

U.S. PATENT DOCUMENTS

D411,520	S *	6/1999	Iwakawa et al.	D14/423
D411,833	S *	7/1999	Iwakawa et al.	D14/423
5,933,191	A *	8/1999	Ariga et al.	348/373
5,978,028	A *	11/1999	Yamane	348/373
6,008,846	A *	12/1999	Uehara et al.	348/373
6,065,839	A *	5/2000	Miyata et al.	353/122
D428,179	S *	7/2000	Huang	D26/65
6,115,068	A *	9/2000	Ariga et al.	348/373
D441,476	S *	5/2001	Mendelsohn et al.	D26/63
6,317,155	B1 *	11/2001	Ohyama	348/373
D457,672	S *	5/2002	Tsai	D26/62
6,417,894	B1 *	7/2002	Goff et al.	348/832
6,496,244	B2 *	12/2002	Tseng et al.	355/21
D476,008	S *	6/2003	Adachi et al.	D14/423
D476,658	S *	7/2003	Adachi et al.	D14/423
6,621,646	B2 *	9/2003	Jung	359/802
D490,926	S *	6/2004	Katsura et al.	D26/63
D497,914	S *	11/2004	Adachi et al.	D14/423
6,947,093	B2 *	9/2005	Yanakawa et al.	348/373
D519,144	S *	4/2006	Kato et al.	D16/232
D522,158	S *	5/2006	Lovegrove	D26/61
D523,984	S *	6/2006	Cai	D26/61
7,245,441	B2 *	7/2007	Wu et al.	359/676
D555,272	S *	11/2007	Iai et al.	D26/62
D563,583	S *	3/2008	Iai et al.	D26/65
D567,431	S *	4/2008	Garner et al.	D26/107
D568,520	S *	5/2008	Castellucci et al.	D26/65
D569,890	S *	5/2008	Sukenari et al.	D16/232
D573,146	S *	7/2008	Sukenari et al.	D14/431
D580,578	S *	11/2008	Chien	D26/63
D580,962	S *	11/2008	Sukenari et al.	D16/232
D590,532	S *	4/2009	Levine	D26/60
7,576,768	B2 *	8/2009	Sukenari	348/61
D602,063	S *	10/2009	Su	D16/232
D603,889	S *	11/2009	Sukenari et al.	D16/232
D604,883	S *	11/2009	Park	D26/65
D606,692	S *	12/2009	Waldmann	D26/65
7,626,634	B2 *	12/2009	Ohki et al.	348/373
D607,482	S *	1/2010	Inoue et al.	D16/232
D608,047	S *	1/2010	Scheper et al.	D26/138
D608,925	S *	1/2010	Hodgson	D26/62
7,710,497	B2 *	5/2010	Sukenari et al.	348/375
D617,932	S *	6/2010	Chan	D26/63
7,731,386	B2 *	6/2010	Levine	362/197
D626,164	S *	10/2010	Kato et al.	D16/232
D627,500	S *	11/2010	Lain	D26/65
D627,501	S *	11/2010	Lin et al.	D26/65
D628,331	S *	11/2010	Tang et al.	D26/63
D633,126	S *	2/2011	Park	D16/232
7,899,310	B2 *	3/2011	Hsieh et al.	396/5
7,929,050	B2 *	4/2011	Liang et al.	348/373
D637,331	S *	5/2011	Lee	D26/63
D637,332	S *	5/2011	Lee	D26/63
D641,515	S *	7/2011	Chung	D26/63
D641,907	S *	7/2011	Lee	D26/65
D642,608	S *	8/2011	Kato	D16/232
D647,906	S *	11/2011	Shen	D14/423
8,054,377	B2 *	11/2011	Hsu	348/373
8,137,010	B2 *	3/2012	Yoshida et al.	396/428
D663,761	S *	7/2012	Kato et al.	D16/232
8,233,081	B2 *	7/2012	Teppan et al.	348/373
D665,938	S *	8/2012	Kim et al.	D26/63
D667,042	S *	9/2012	Shen	D16/232
D674,389	S *	1/2013	Shen	D14/423
D677,707	S *	3/2013	Shen	D16/232
D678,383	S *	3/2013	Park et al.	D16/232
D685,372	S *	7/2013	Booppanon et al.	D14/423
2002/0094203	A1 *	7/2002	Tseng et al.	396/428
2002/0106137	A1 *	8/2002	Chen et al.	382/321
2003/0133013	A1 *	7/2003	Maeda et al.	348/143
2004/0233325	A1 *	11/2004	Lee et al.	348/375
2005/0088543	A1 *	4/2005	Yoshii	348/239
2005/0122488	A1 *	6/2005	Fernandez	353/120
2006/0050519	A1 *	3/2006	Lin	362/413
2007/0035655	A1 *	2/2007	Chen et al.	348/373
2007/0165135	A1 *	7/2007	Sukenari et al.	348/373
2008/0291321	A1 *	11/2008	Maruyama et al.	348/373
2009/0002548	A1 *	1/2009	Liang et al.	348/373
2010/0188562	A1 *	7/2010	Yamakose et al.	348/373

* cited by examiner

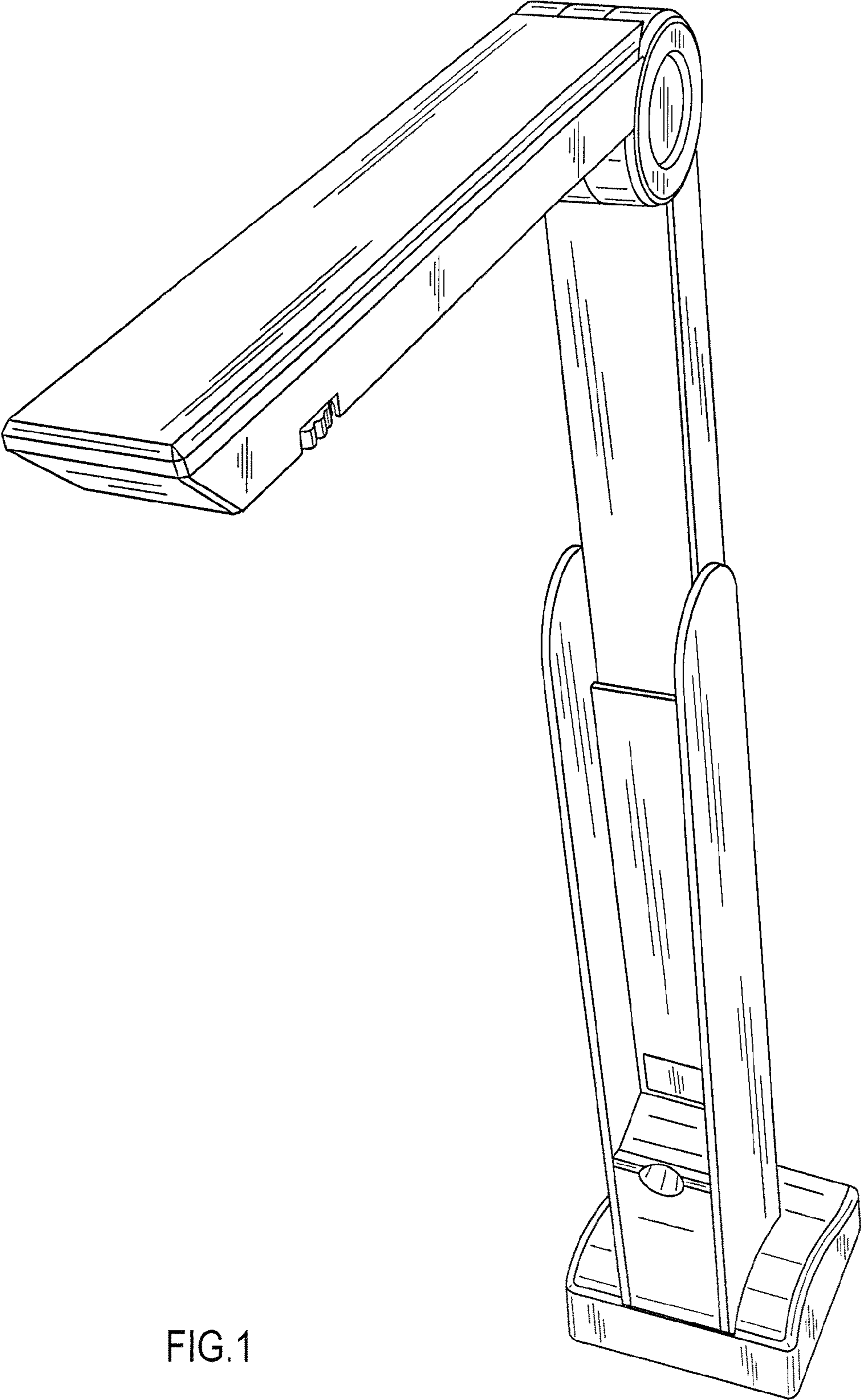


FIG. 1

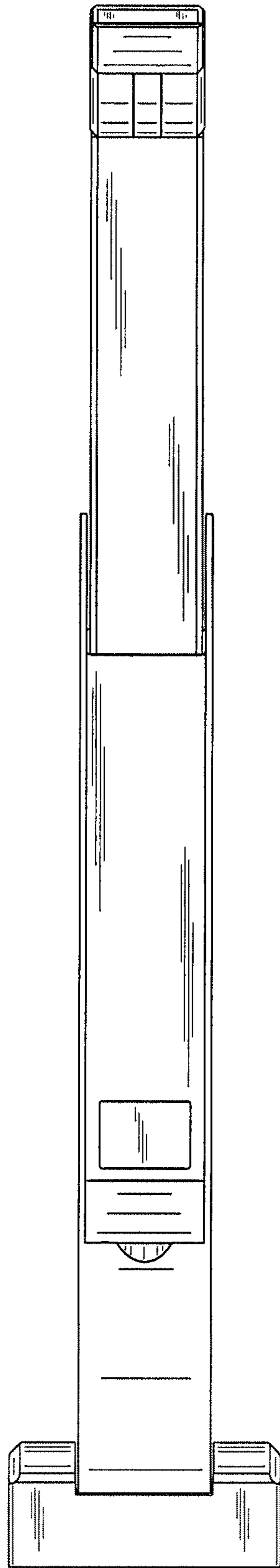


FIG.2

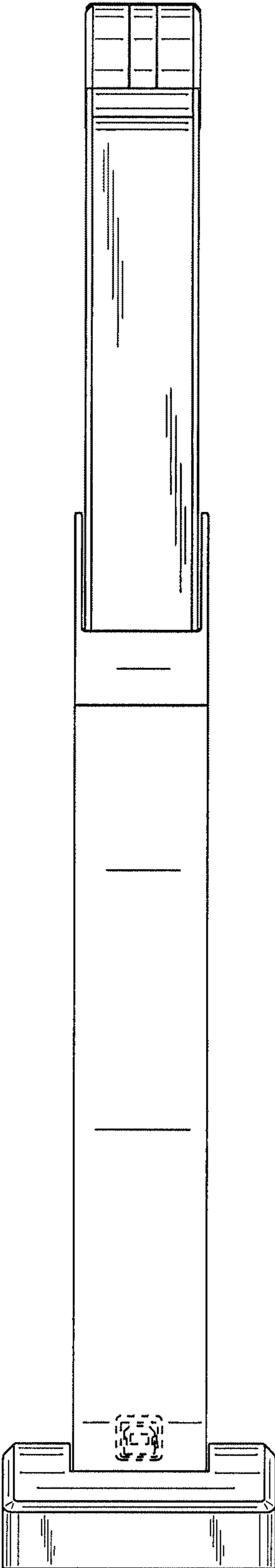


FIG.3

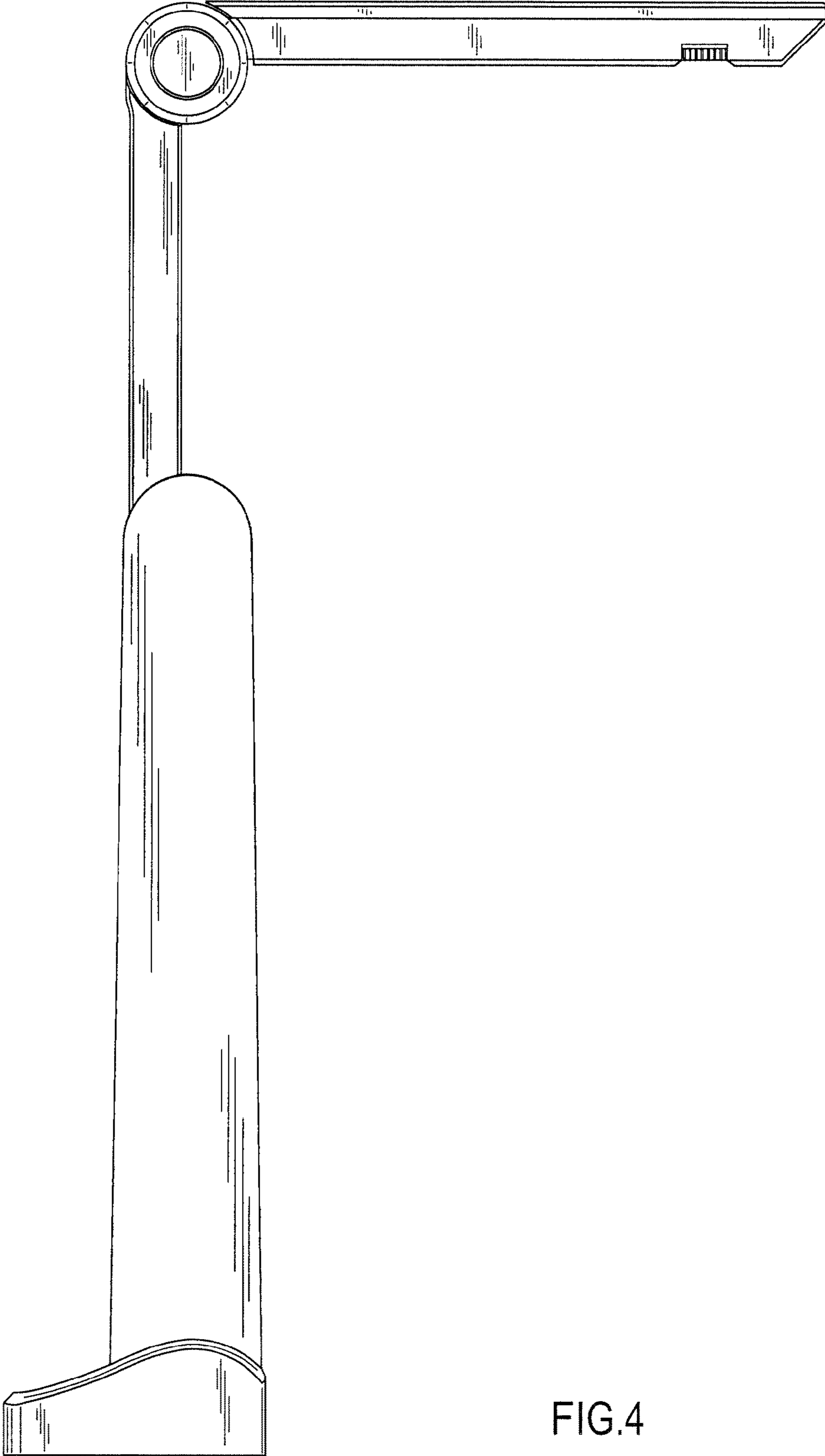


FIG. 4

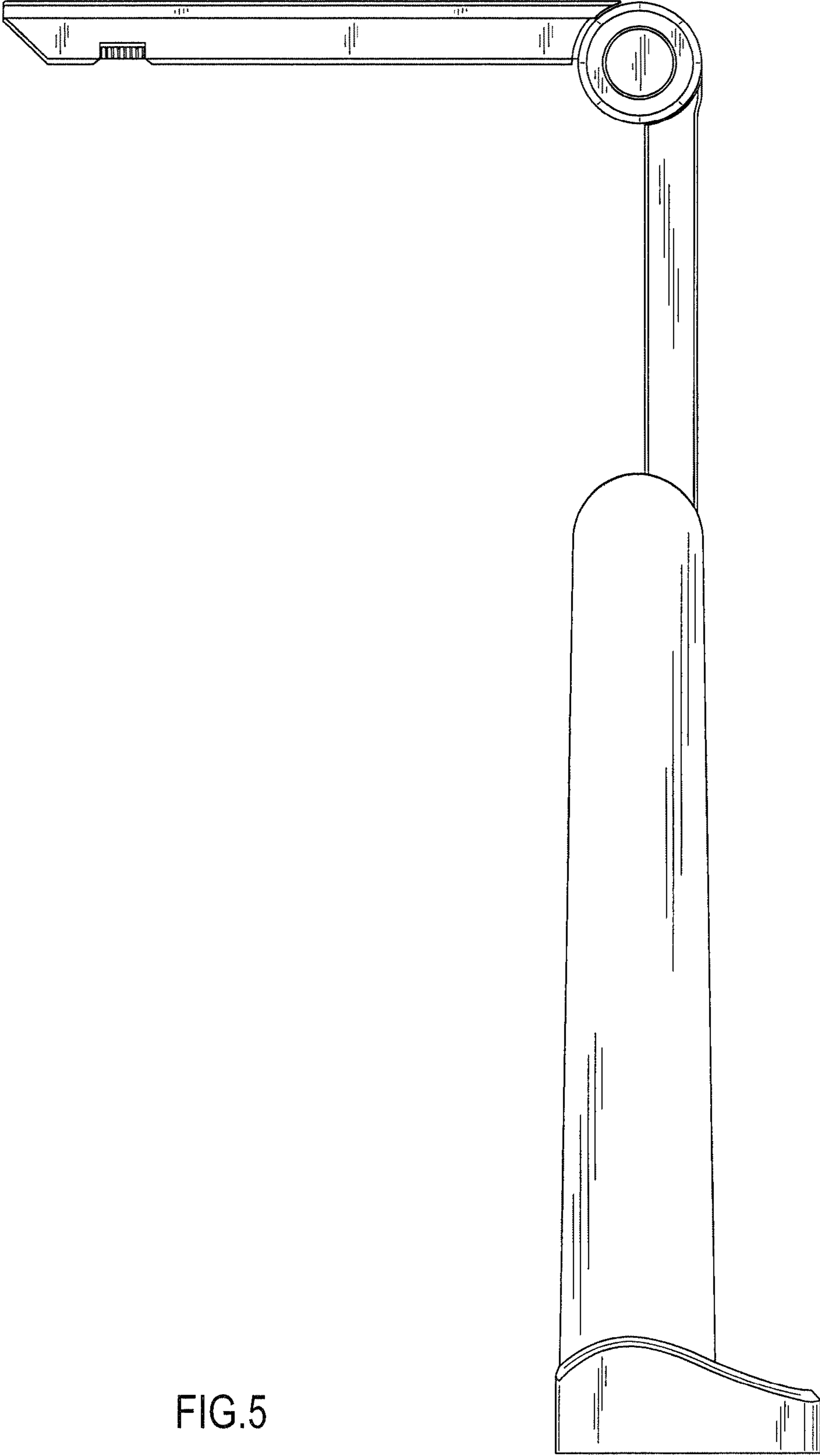


FIG.5

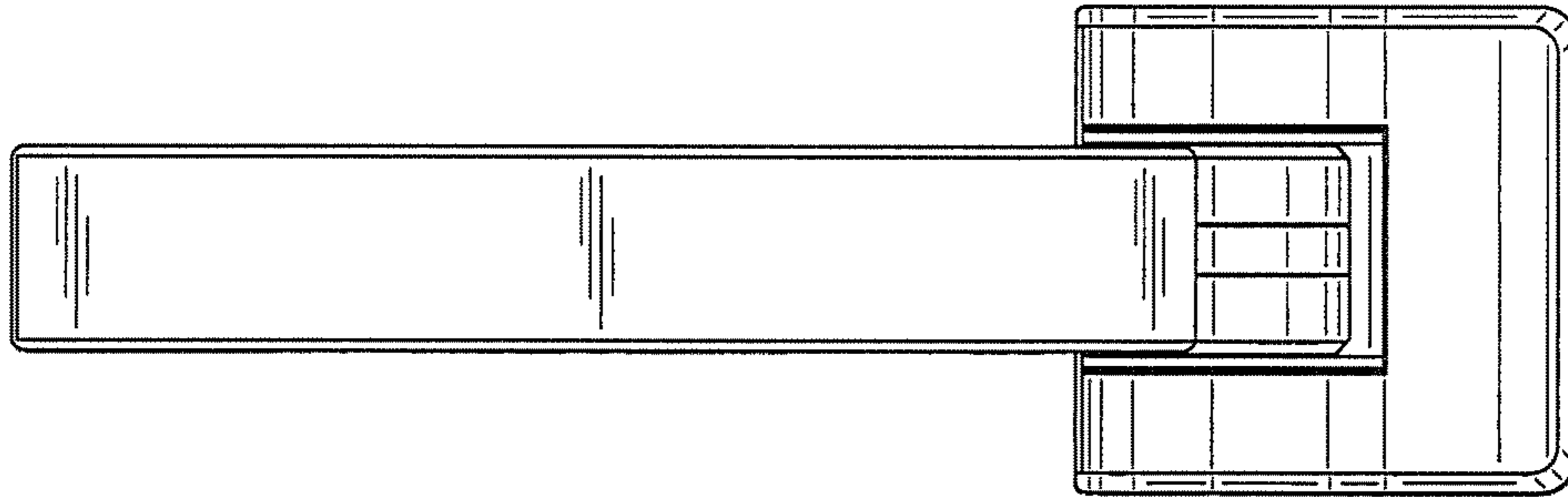


FIG. 6

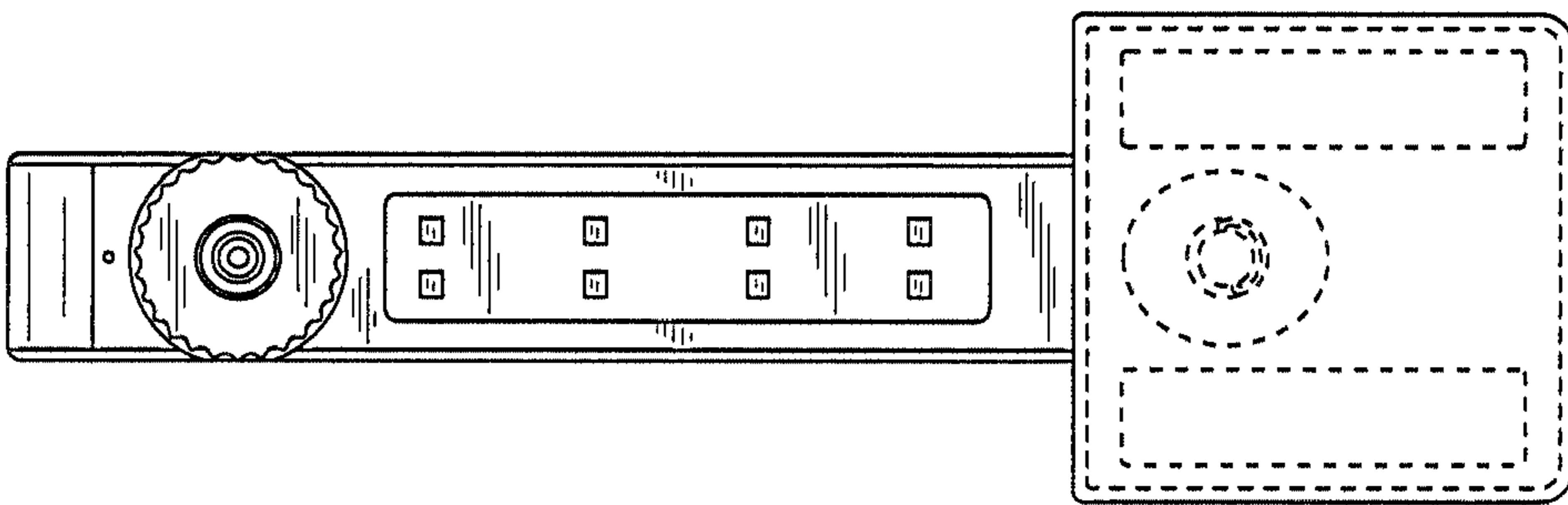


FIG. 7