



US00D699238S

(12) **United States Design Patent**  
**Smith et al.**

(10) **Patent No.:** **US D699,238 S**  
(45) **Date of Patent:** **\*\* Feb. 11, 2014**

(54) **INTERACTIVE TERMINAL**

(71) Applicant: **Cubic Corporation**, San Diego, CA  
(US)

(72) Inventors: **Gavin Smith**, Crawley (GB); **Jason Kenward**, Surrey (GB); **Dave Roat**, Horsham (GB); **Adrain Caroren**, Henfield (GB); **Matthew Tidnam**, Surrey (GB); **Kok Chian Leong**, London (GB)

(73) Assignee: **Cubic Corporation**, San Diego, CA  
(US)

(\*\*) Term: **14 Years**

(21) Appl. No.: **29/452,732**

(22) Filed: **Apr. 21, 2013**

(51) **LOC (10) Cl.** ..... **14-02**

(52) **U.S. Cl.**  
USPC ..... **D14/307**

(58) **Field of Classification Search**  
USPC ..... D14/315–327, 384, 432, 439–446, 341,  
D14/345, 353–355, 125, 130, 132, 138,  
D14/239; D16/202, 208; D9/424–432;  
D6/491; D8/403; 235/145 A, 145 R;  
341/22, 23; 349/12; 361/680–686;  
D20/10, 41, 43

See application file for complete search history.

(56) **References Cited**

U.S. PATENT DOCUMENTS

D351,160	S	*	10/1994	Massey et al.	.....	D14/146
D384,832	S	*	10/1997	Senturia et al.	.....	D6/397
D605,190	S	*	12/2009	Kuroda et al.	.....	D14/307
D629,585	S	*	12/2010	Bleck et al.	.....	D99/28
D637,594	S	*	5/2011	Carpenter et al.	.....	D14/307
D645,223	S	*	9/2011	Bleck et al.	.....	D99/28
D653,423	S	*	1/2012	Rohan et al.	.....	D99/28
D653,424	S	*	1/2012	Rohan et al.	.....	D99/28
D687,429	S	*	8/2013	Nelson et al.	.....	D14/307

\* cited by examiner

*Primary Examiner* — Austin Murphy

(74) *Attorney, Agent, or Firm* — Kilpatrick Townsend & Stockton LLP

(57) **CLAIM**

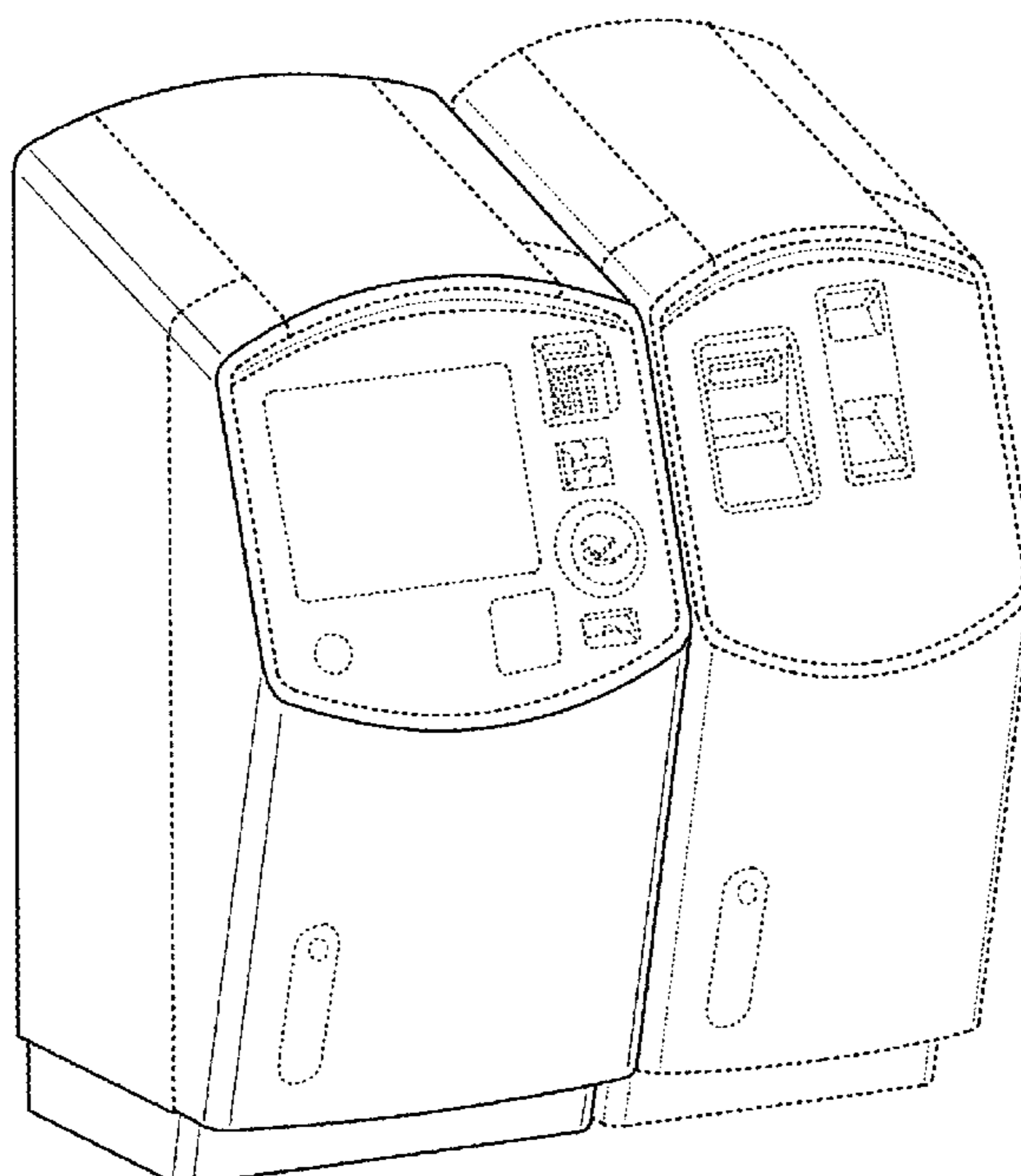
The ornamental design for the interactive terminal, as shown and described.

**DESCRIPTION**

FIG. 1 is a perspective view of an interactive terminal;  
FIG. 2 is a front elevation view thereof;  
FIG. 3 is a back elevation view thereof;  
FIG. 4 is a left side elevation view thereof;  
FIG. 5 is a right side elevation view thereof;  
FIG. 6 is a top plan view thereof; and,  
FIG. 7 is a bottom plan view thereof.

Any broken lines herein, or those added later by amendment, represent unclaimed subject matter and form no part of the claimed design. Further, in the above figures, the interactive terminal is illustrated as a stand-alone system.

**1 Claim, 7 Drawing Sheets**



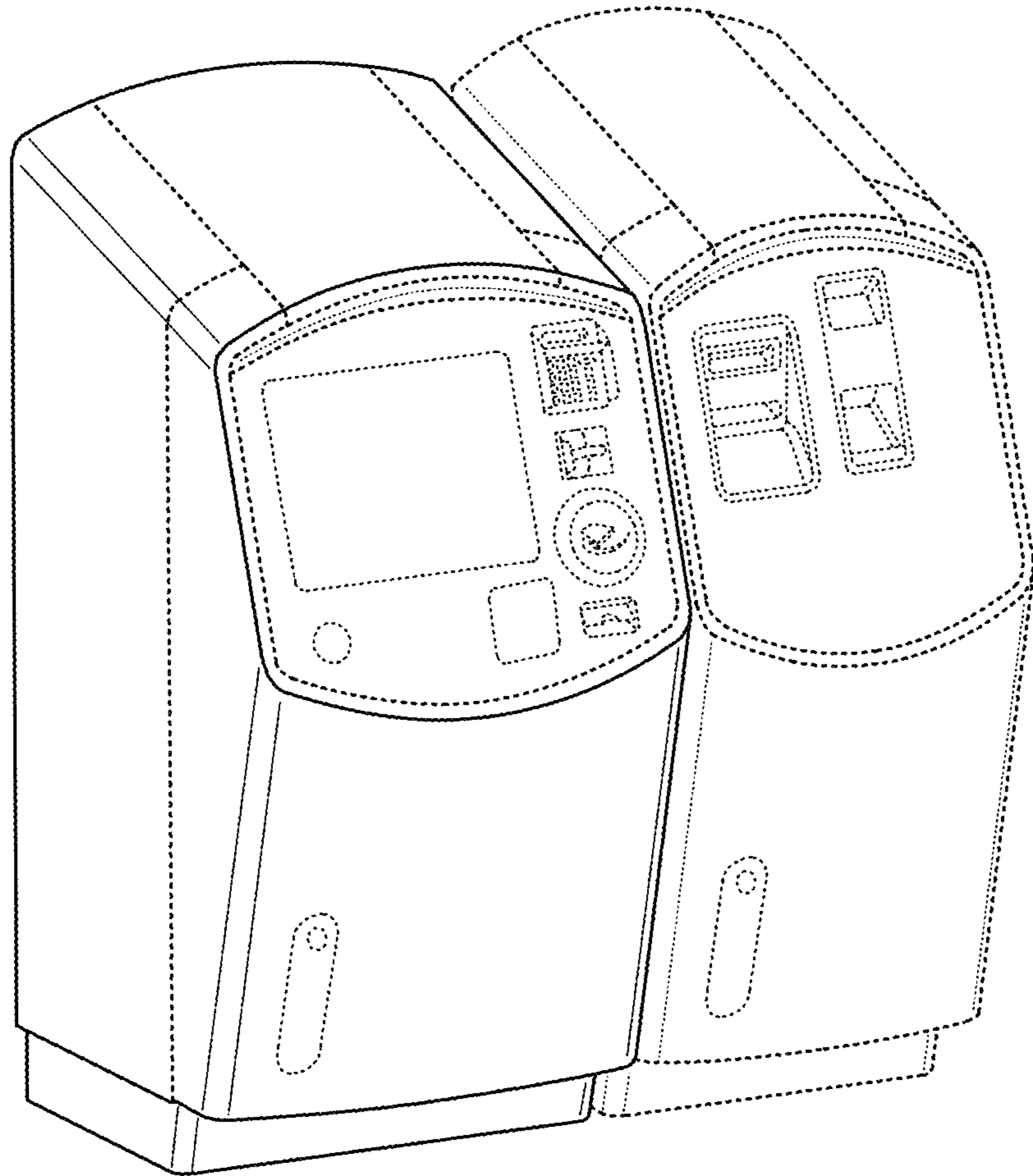


FIG.1

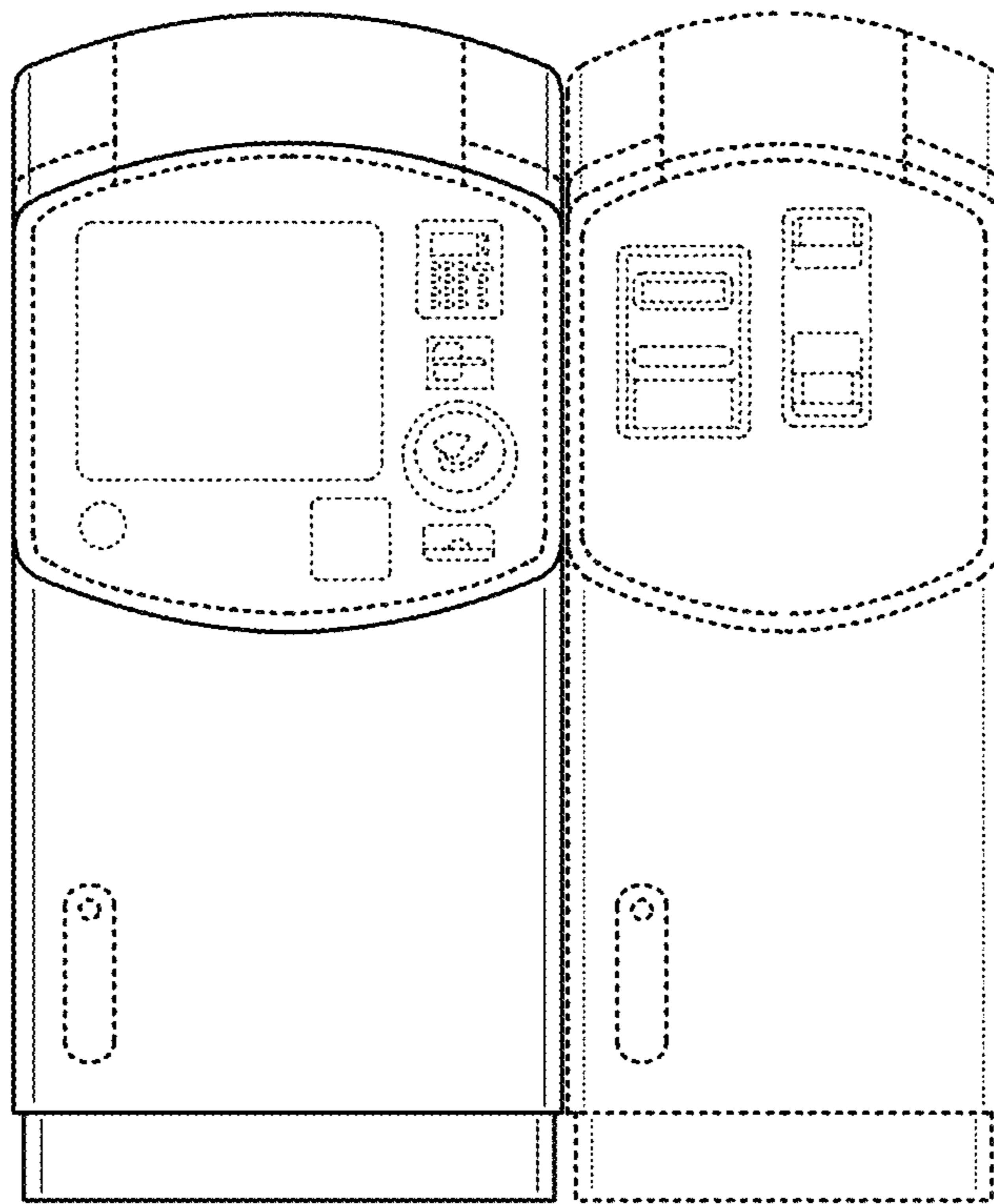


FIG.2

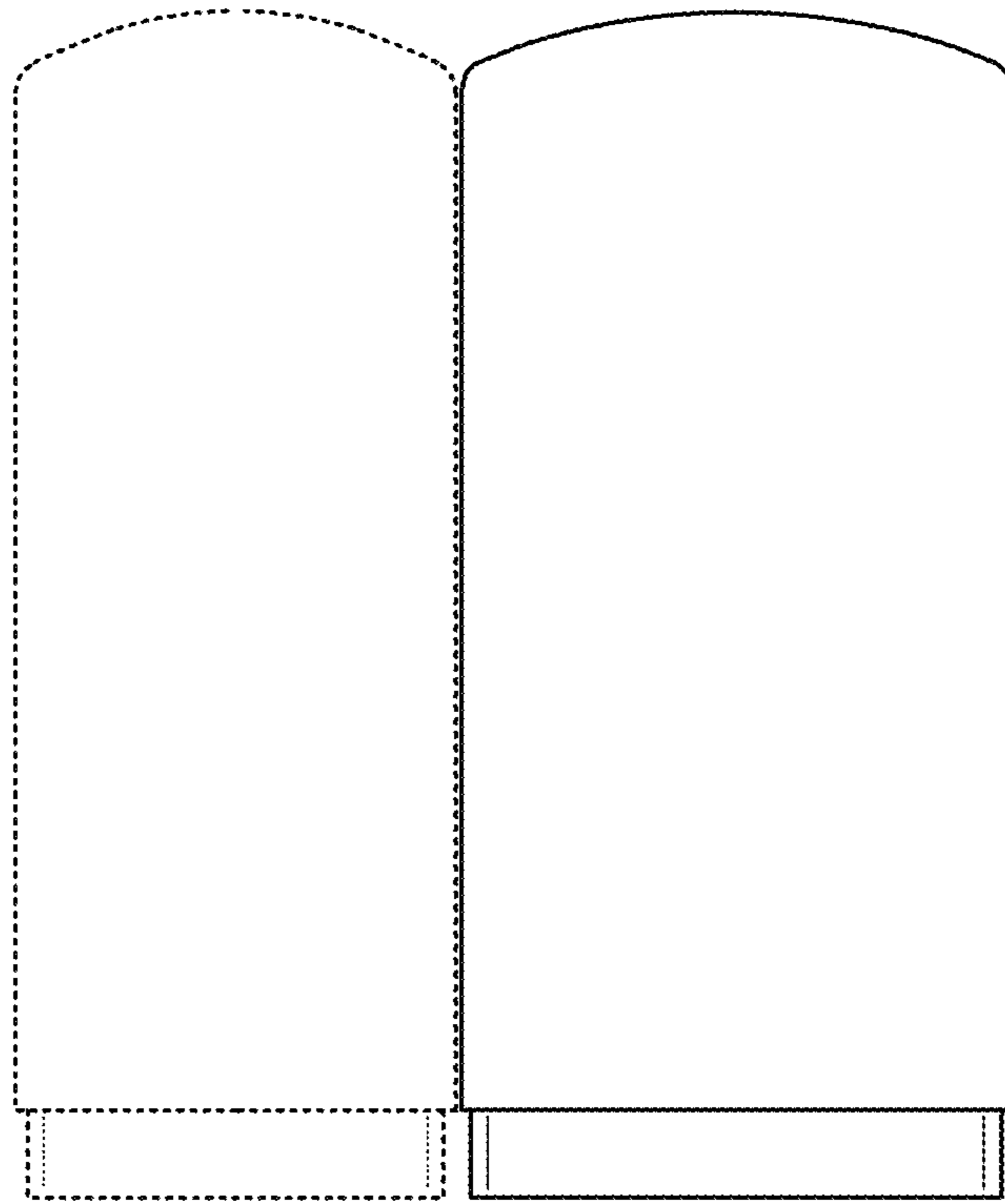


FIG.3

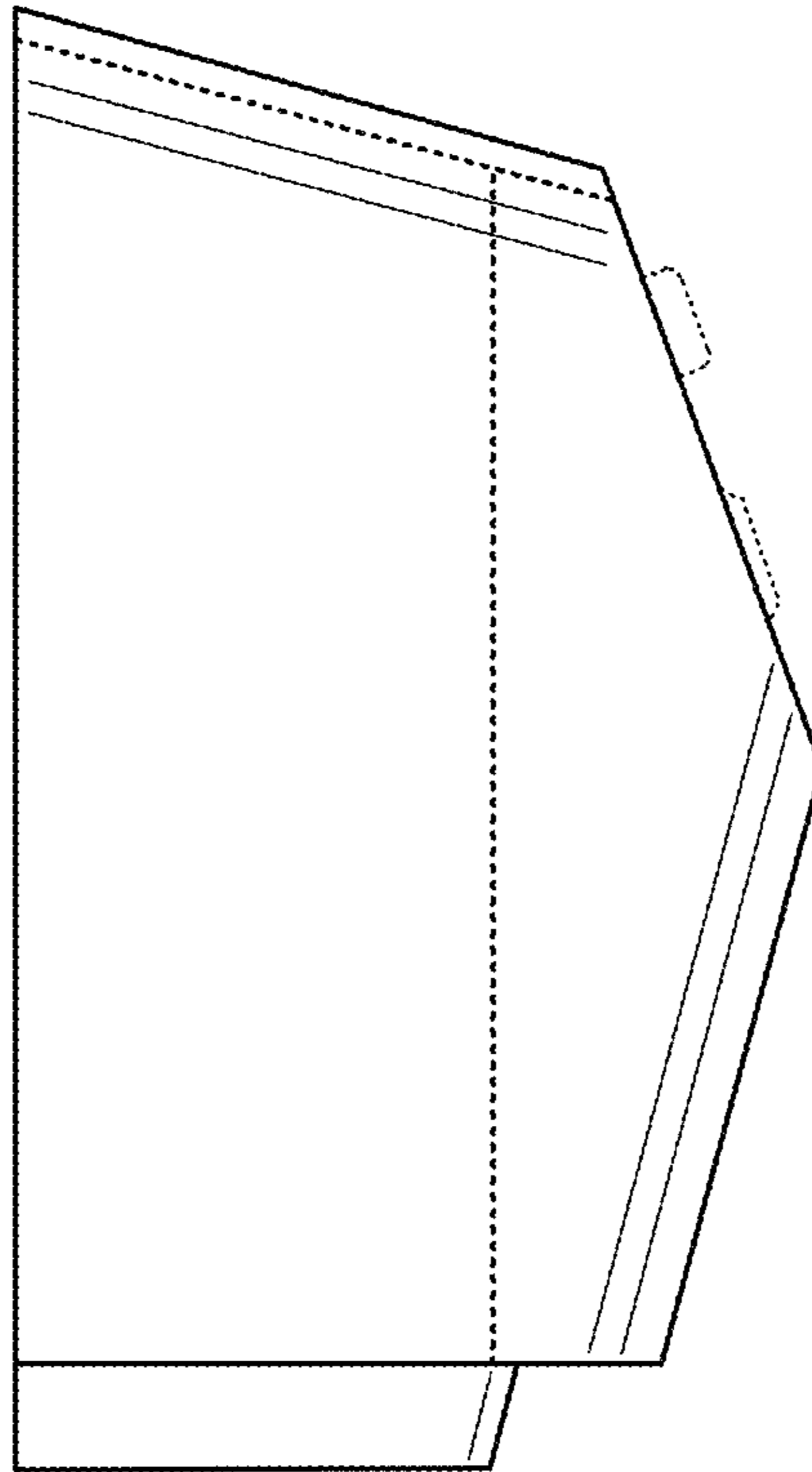


FIG.4

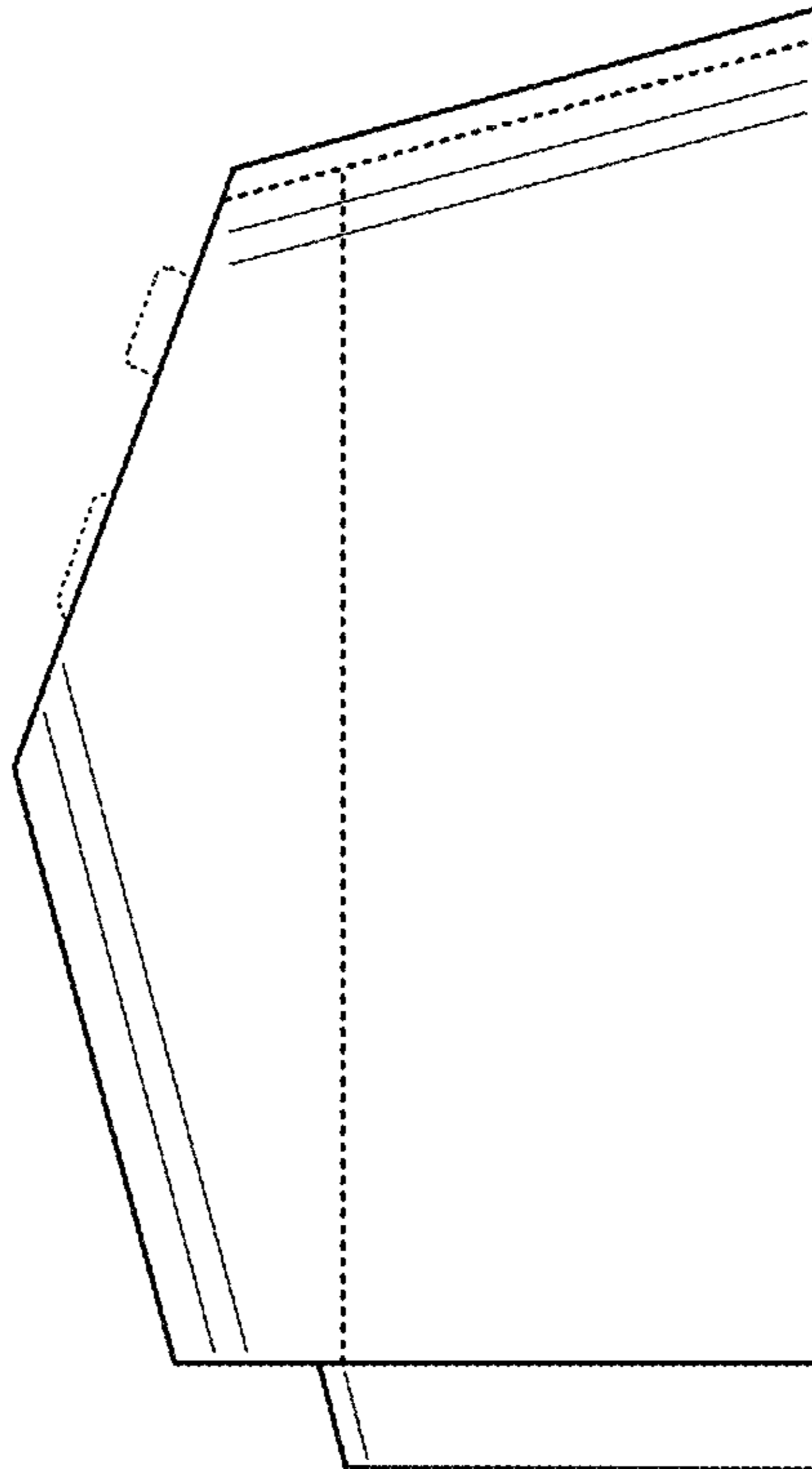


FIG.5

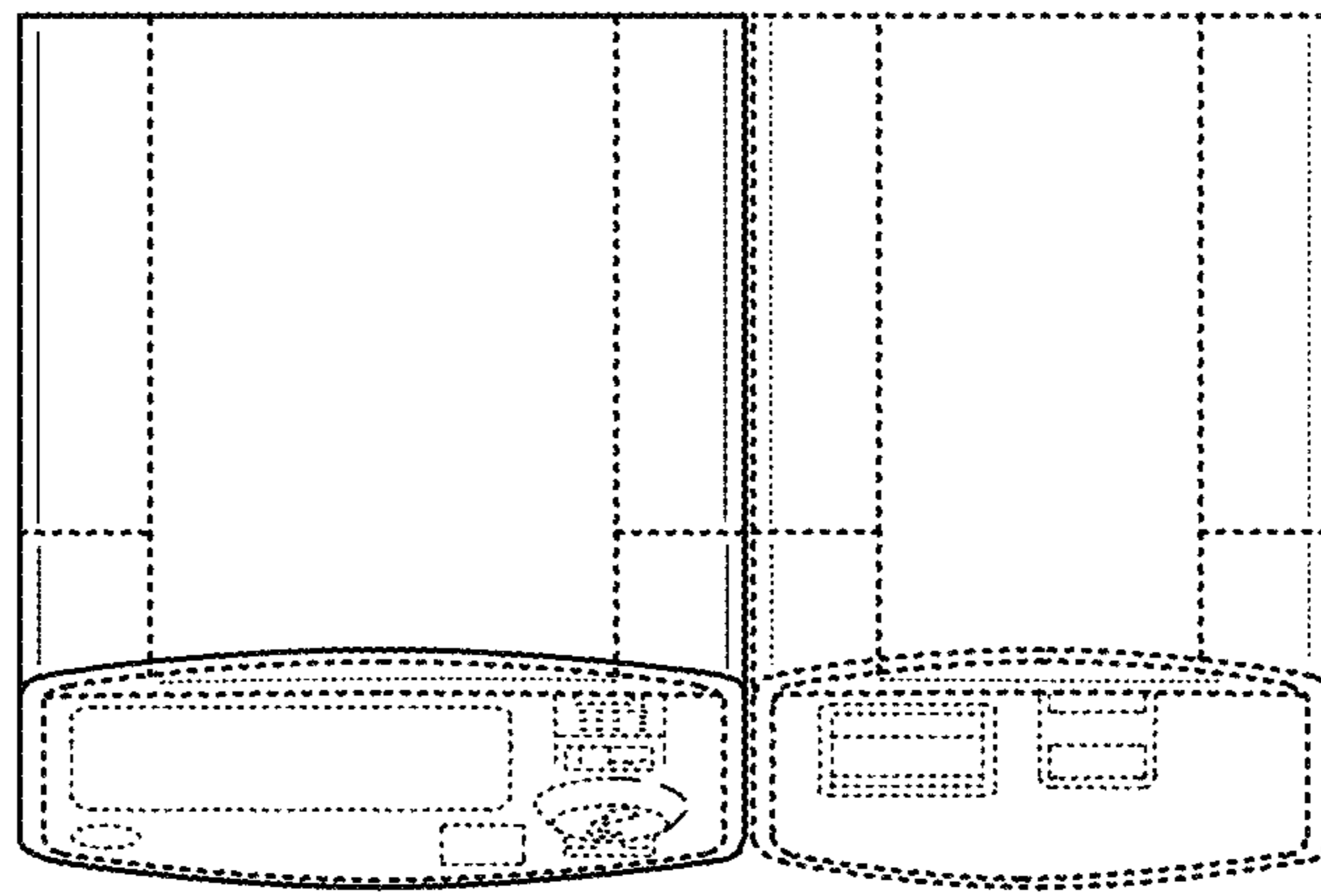


FIG.6

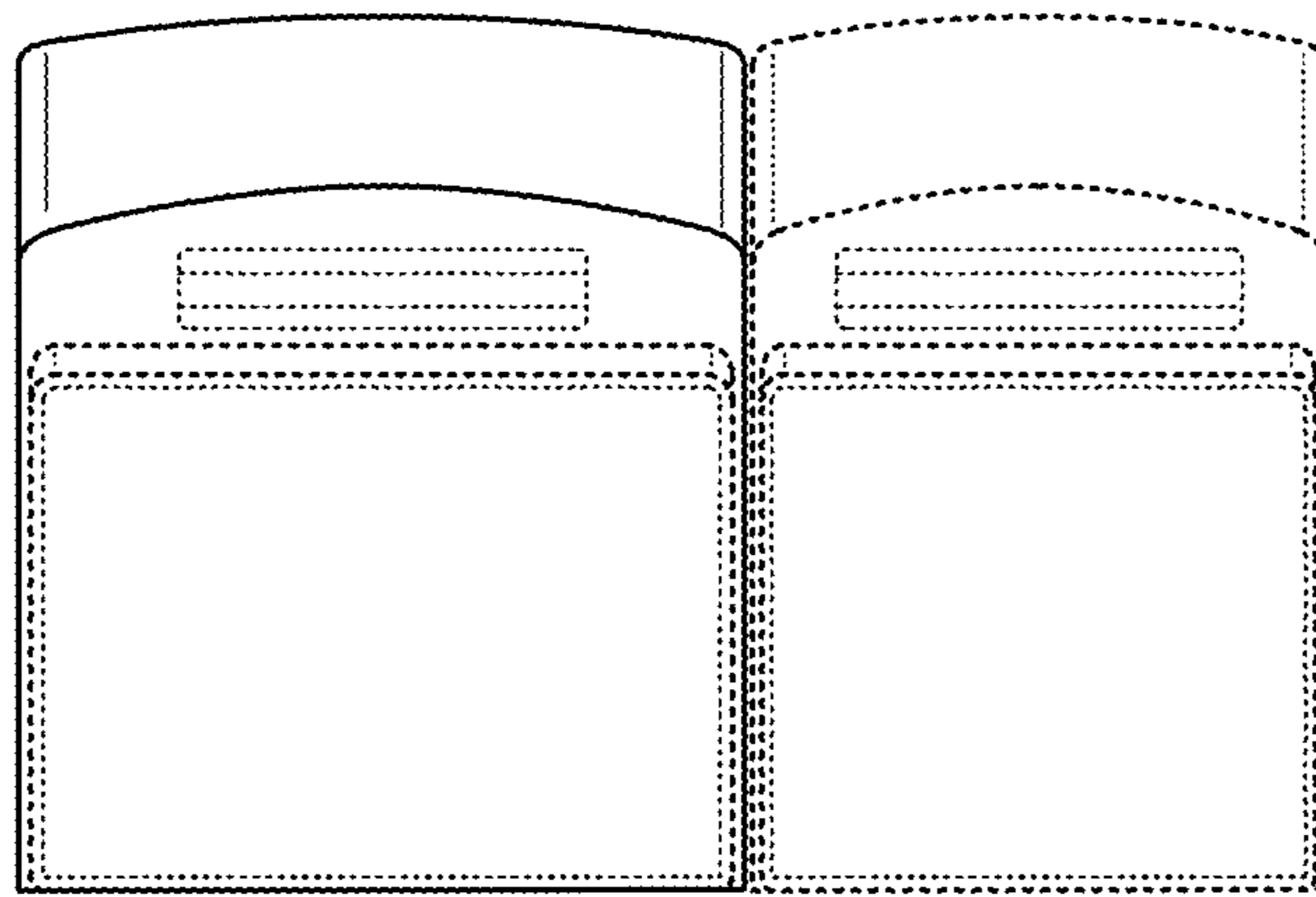


FIG. 7