



US00D699233S

(12) **United States Design Patent**
Lozano

(10) **Patent No.:** **US D699,233 S**
(45) **Date of Patent:** **** Feb. 11, 2014**

(54) **MOUNTING PANEL FOR AN AUDIO-VIDEO ASSEMBLY**

(71) Applicant: **Anthony Lozano**, San Jose, CA (US)

(72) Inventor: **Anthony Lozano**, San Jose, CA (US)

(**) Term: **14 Years**

(21) Appl. No.: **29/465,195**

(22) Filed: **Aug. 26, 2013**

Related U.S. Application Data

(63) Continuation of application No. 29/443,115, filed on Jan. 14, 2013.

(51) **LOC (10) Cl.** **14-03**

(52) **U.S. Cl.**
USPC **D14/239**

(58) **Field of Classification Search**
USPC D14/239, 168, 188, 197, 198, 371, D14/374-377, 496-510; 312/7.1, 7.2; 348/836, 838, 180, 184, 325, 739, 825, 348/827; 341/12; 349/58; 720/600, 619, 720/646, 647, 655; 455/347-351; 369/75.11, 75.21; D6/474-499, 407, D6/460, 461, 468; 248/465, 917-924, 248/123.11; 600/41.12, 42, 49.1, 50, 85.2, 600/90.04, 187, 190, 119.003, 134.153, 600/87.01, 71.01; 211/87.01

See application file for complete search history.

(56) **References Cited**

U.S. PATENT DOCUMENTS

6,189,849 B1 2/2001 Sweere et al.
D482,016 S 11/2003 Howe et al.
D484,332 S * 12/2003 Niitsu D6/477
D495,163 S * 8/2004 Weatherly D6/479
6,809,295 B1 10/2004 Vargas
D517,838 S 3/2006 Luong
7,175,152 B2 2/2007 Dittmer
D539,232 S 3/2007 Lozano

D541,764 S 5/2007 Lozano
D552,051 S 10/2007 Lozano
D586,584 S * 2/2009 Hung D6/470
D586,792 S 2/2009 Lozano
D588,560 S * 3/2009 Mellingen et al. D14/126
7,530,538 B2 5/2009 Whalen et al.
D595,978 S 7/2009 Portnoy et al.
D617,121 S * 6/2010 Walsh D6/477
D622,275 S 8/2010 Lozano
D637,568 S 5/2011 Desai et al.
D645,850 S 9/2011 Lozano
8,079,311 B2 12/2011 Whalen et al.
D652,225 S 1/2012 Andersen
D652,412 S * 1/2012 Lozano D14/239
8,191,485 B1 * 6/2012 Whalen et al. 108/42
D669,704 S * 10/2012 Zambelli D6/436

(Continued)

Primary Examiner — Randall Gholson

(74) *Attorney, Agent, or Firm* — Mattingly & Malur, PC

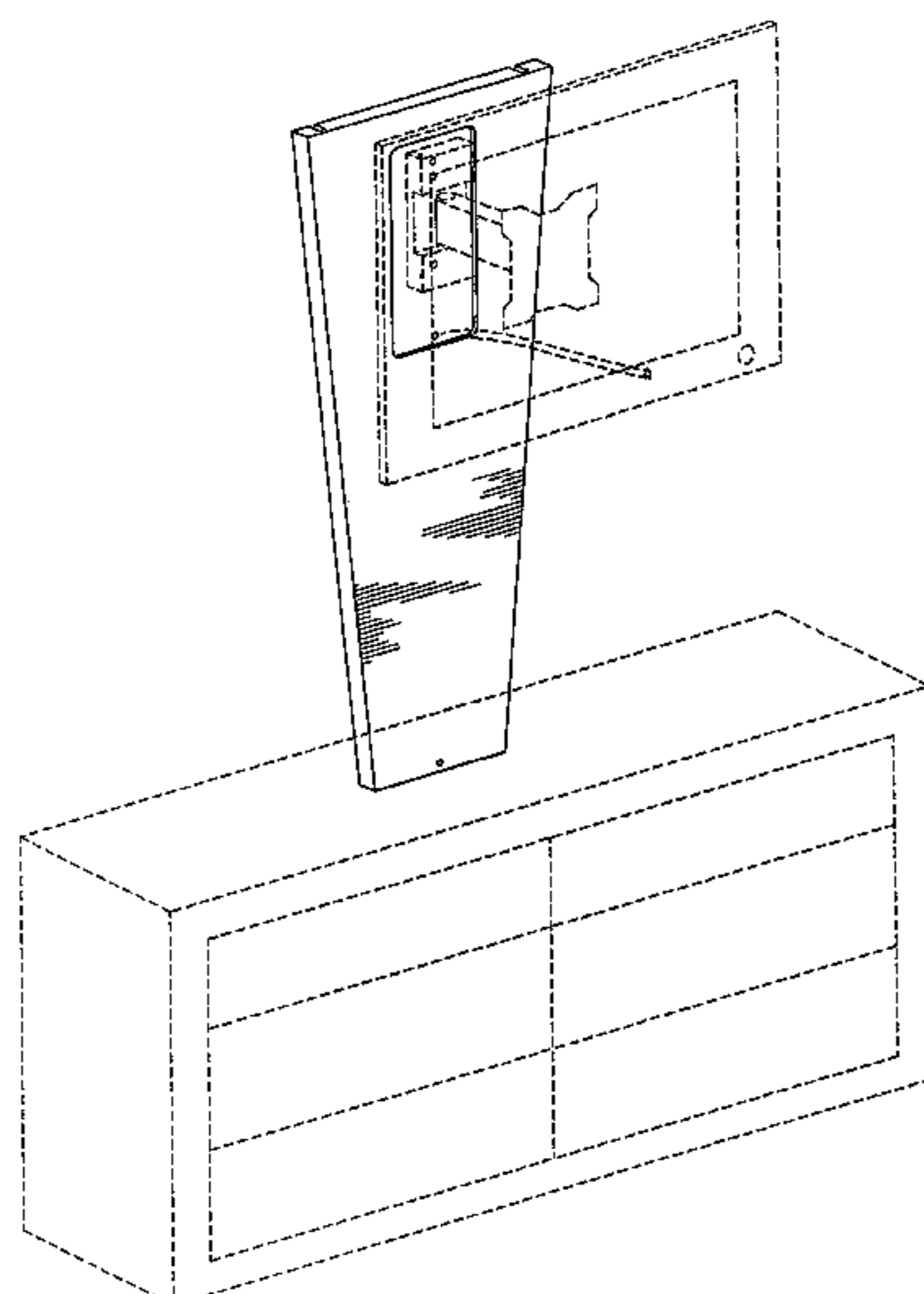
(57) **CLAIM**

The ornamental design for a mounting panel for an audio-video assembly, as shown and described.

DESCRIPTION

FIG. 1 is a front perspective view of my new design for a mounting panel for an audio-video assembly;
FIG. 2 is a front perspective view thereof;
FIG. 3 is a rear perspective view thereof;
FIG. 4 is a front elevational view thereof;
FIG. 5 is a left plan view thereof;
FIG. 6 is a right plan view thereof;
FIG. 7 is a top plan view thereof;
FIG. 8 is a bottom plan view thereof;
FIG. 9 is a rear elevational view thereof;
FIG. 10 is a front exploded perspective view thereof; and,
FIG. 11 is a rear exploded perspective view thereof.
The broken lines showing of a cabinet, an audio-video assembly and associated cabling is included for the purpose of showing unclaimed subject matter and forms no part of the claimed design.

1 Claim, 8 Drawing Sheets



US D699,233 S

Page 2

(56)

References Cited

D677,078 S * 3/2013 Lambright et al. D6/675.3
2003/0102781 A1 6/2003 White et al.

U.S. PATENT DOCUMENTS

D671,338 S * 11/2012 Sexton D6/477 * cited by examiner

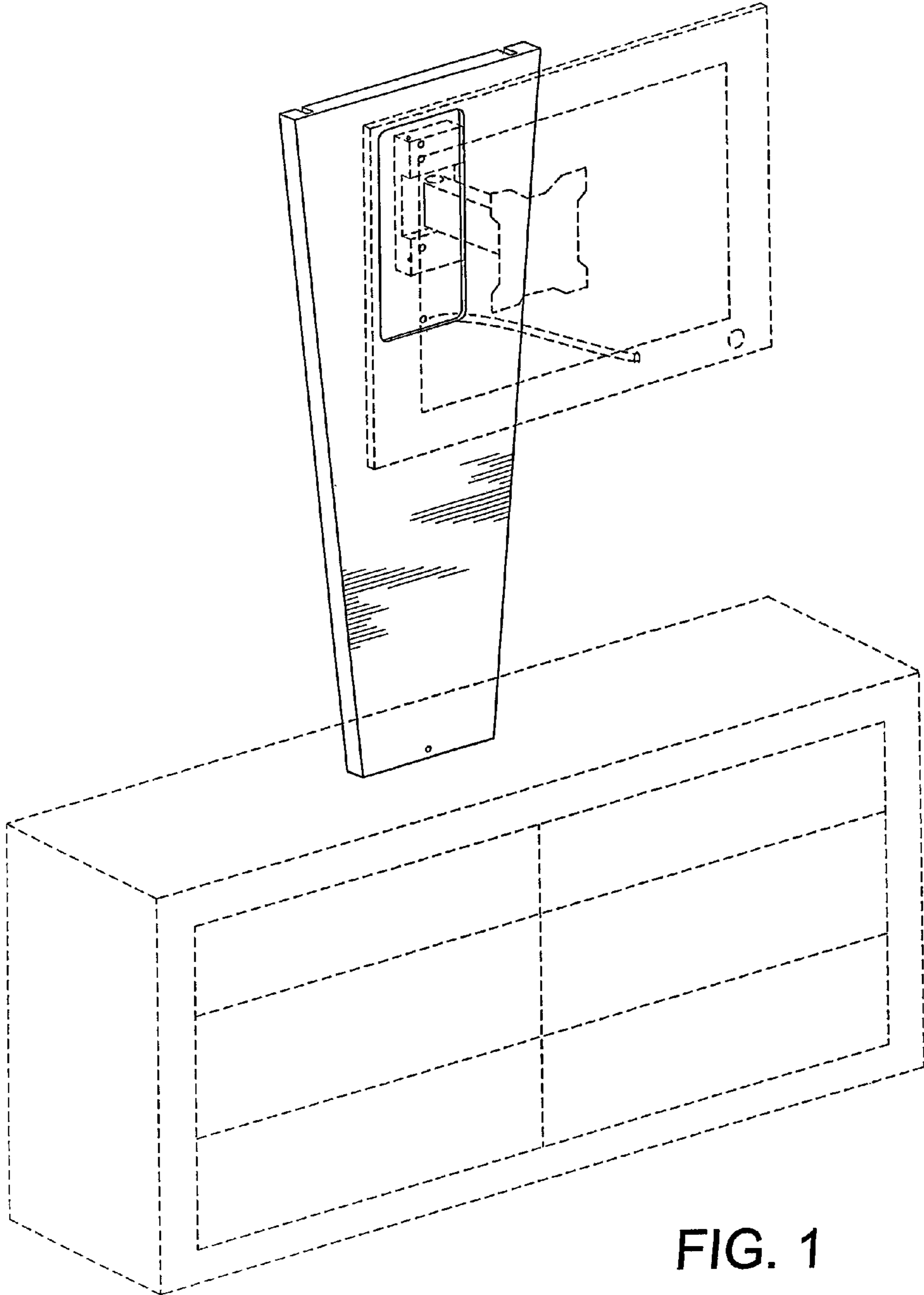


FIG. 1

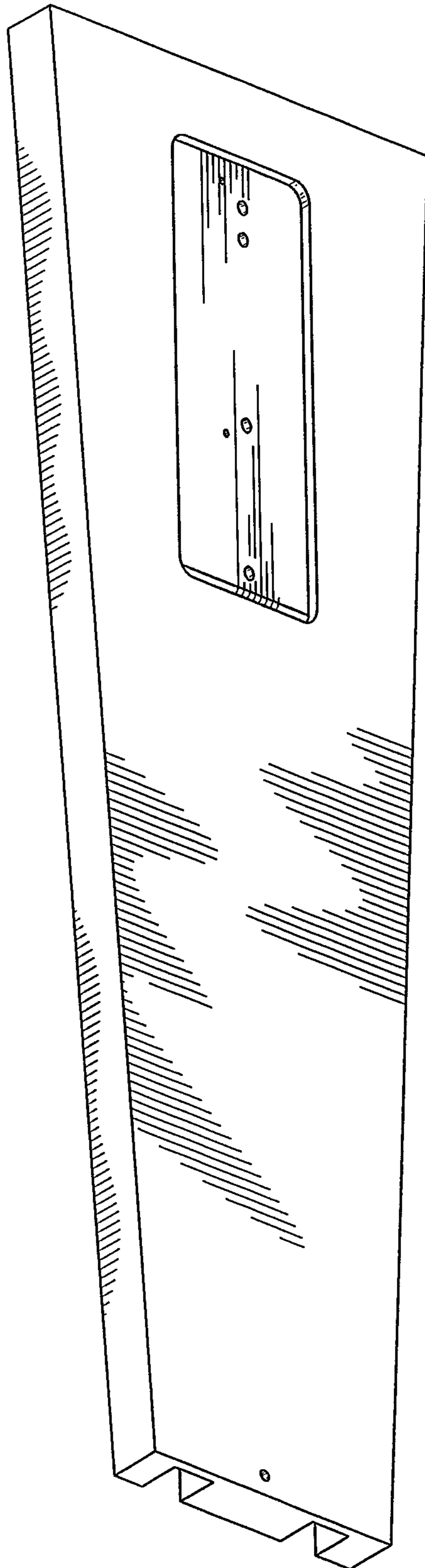


FIG. 2

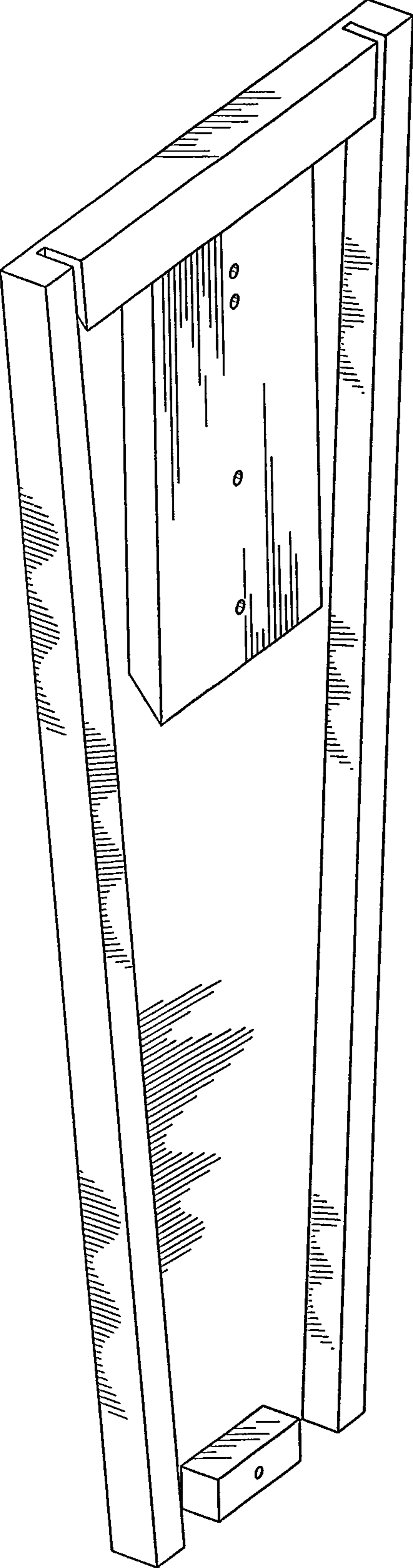


FIG. 3

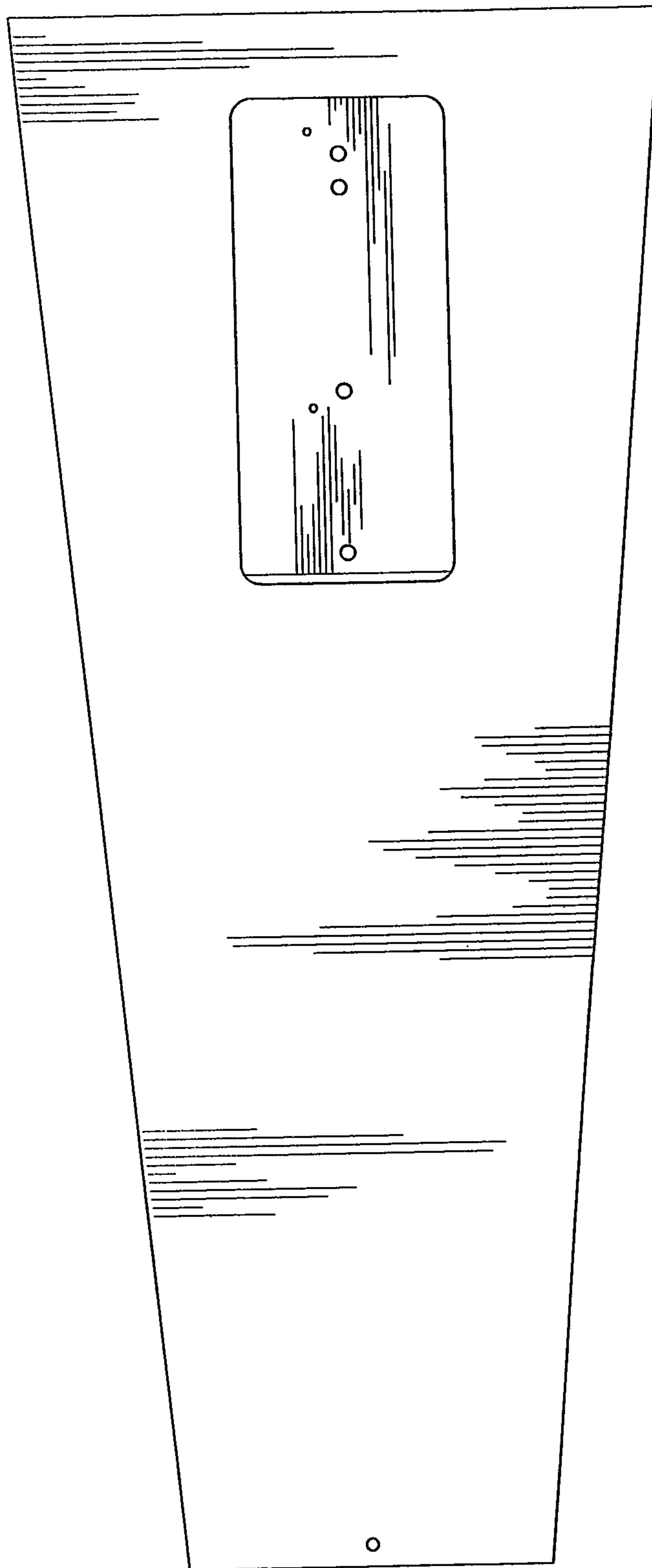


FIG. 4

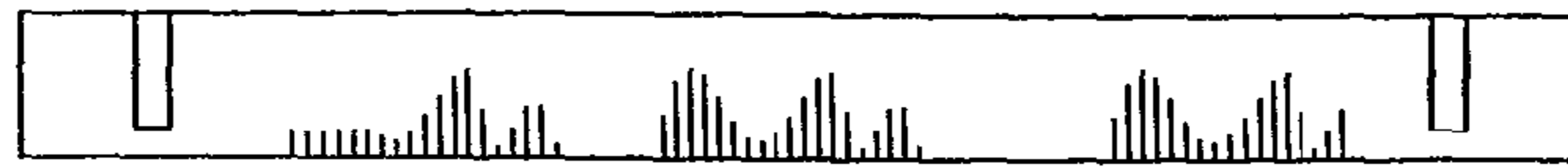


FIG. 7

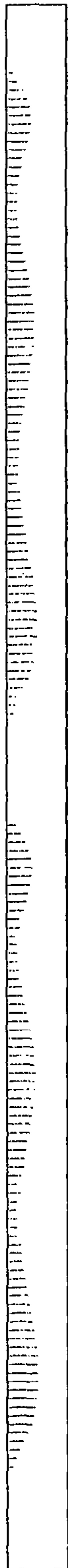


FIG. 5

FIG. 6



FIG. 8

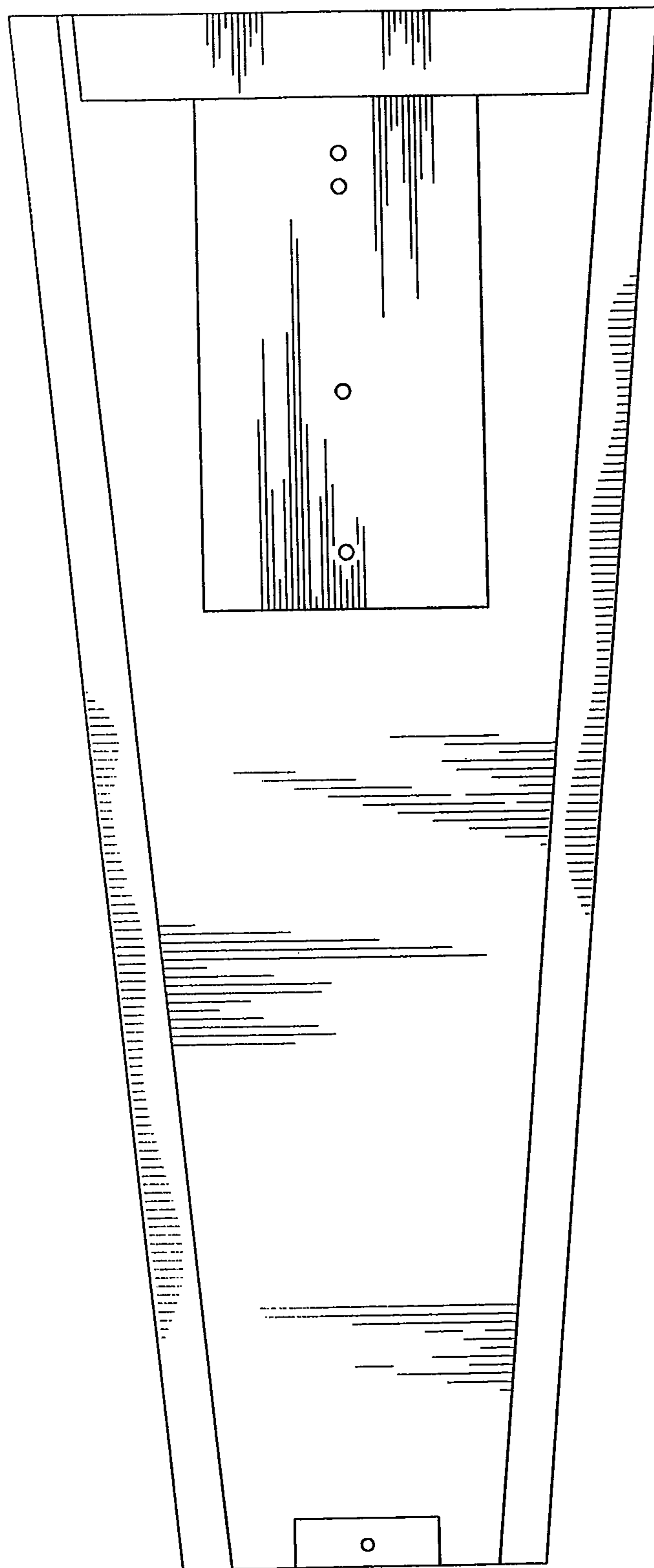


FIG. 9

FIG. 10

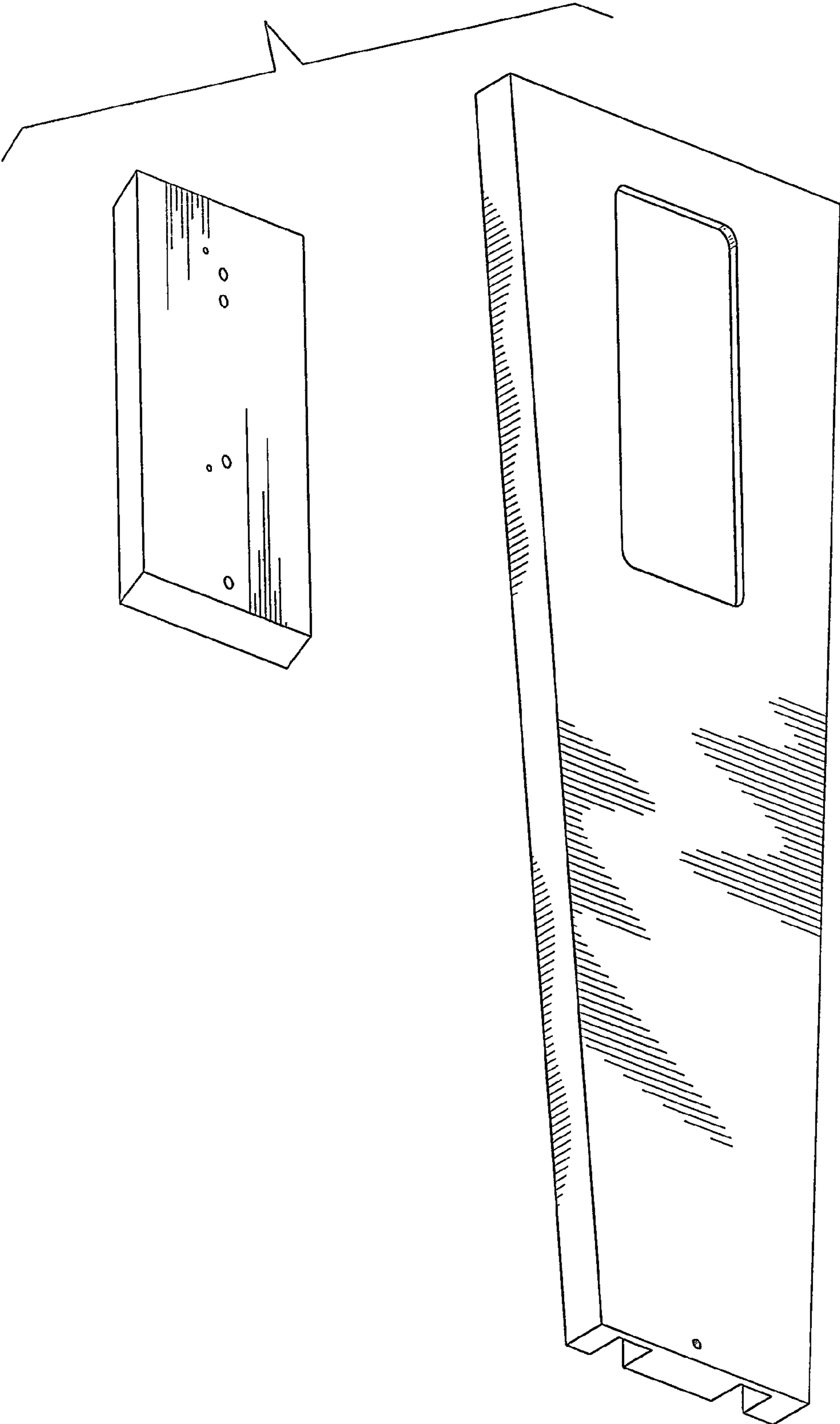


FIG. 11

