



US00D699232S

(12) **United States Design Patent**
Jung et al.

(10) **Patent No.:** **US D699,232 S**
(45) **Date of Patent:** **** Feb. 11, 2014**

(54) **TELEVISION RECEIVER**

(71) Applicant: **Samsung Electronics Co., Ltd.**,
Suwon-si (KR)

(72) Inventors: **Dae-Hun Jung**, Seoul (KR); **Yong-Joo Lee**, Seoul (KR)

(73) Assignee: **Samsung Electronics Co., Ltd.**,
Suwon-si (KR)

(**) Term: **14 Years**

(21) Appl. No.: **29/459,923**

(22) Filed: **Jul. 4, 2013**

(30) **Foreign Application Priority Data**

Jan. 5, 2013 (KR) 30-2013-0000763

(51) **LOC (10) Cl.** **14-03**

(52) **U.S. Cl.**
USPC **D14/239**

(58) **Field of Classification Search**

USPC D14/125-134, 239, 371, 136, 374-377,
D14/432, 450, 448, 336; 312/7.2; 348/836,
348/838, 180, 184, 325, 739; 341/12;
248/917-924, 465; 345/104, 133, 156,
345/168, 87, 173; 720/605, 600; 369/197;
455/344, 347; D21/329, 515, 333;
D6/300, 512; 273/148 B; D10/15, 26

See application file for complete search history.

(56) **References Cited**

U.S. PATENT DOCUMENTS

D416,549 S * 11/1999 Coster et al. D14/375
D556,756 S * 12/2007 Kataoka et al. D14/375
D609,659 S * 2/2010 VanDuyne D14/126
D649,950 S * 12/2011 Chiu D14/126

D655,266 S * 3/2012 Kim D14/126
D663,705 S * 7/2012 Park et al. D14/126
D680,091 S * 4/2013 Kim et al. D14/126
D680,982 S * 4/2013 Lee et al. D14/126
D681,614 S * 5/2013 Masui D14/239
D682,229 S * 5/2013 Lee et al. D14/126
D682,233 S * 5/2013 Yoo et al. D14/126

* cited by examiner

Primary Examiner — Randall Gholson

(74) *Attorney, Agent, or Firm* — NSIP Law

(57) **CLAIM**

The ornamental design for a television receiver, as shown and described.

DESCRIPTION

FIG. 1 is a perspective view of a television receiver, showing our new design;

FIG. 2 is a front view thereof;

FIG. 3 is a rear view thereof;

FIG. 4 is a left-side view thereof;

FIG. 5 is a right-side view thereof;

FIG. 6 is a top plan view thereof;

FIG. 7 is a bottom plan view thereof;

FIG. 8 is a rear perspective view thereof;

FIG. 9 is another left-side view thereof, showing an unclaimed monitor or display device can move in alternately front or back positions;

FIG. 10 is a perspective view of the television receiver stand; and,

FIG. 11 is an enlarged view of the encircled portion shown in FIG. 4.

The broken lines show unclaimed subject matter and form no part of the claimed design. The dot-dash broken lines encircling portion of the claimed design that are illustrated in enlargements form no part of the claimed design.

1 Claim, 9 Drawing Sheets

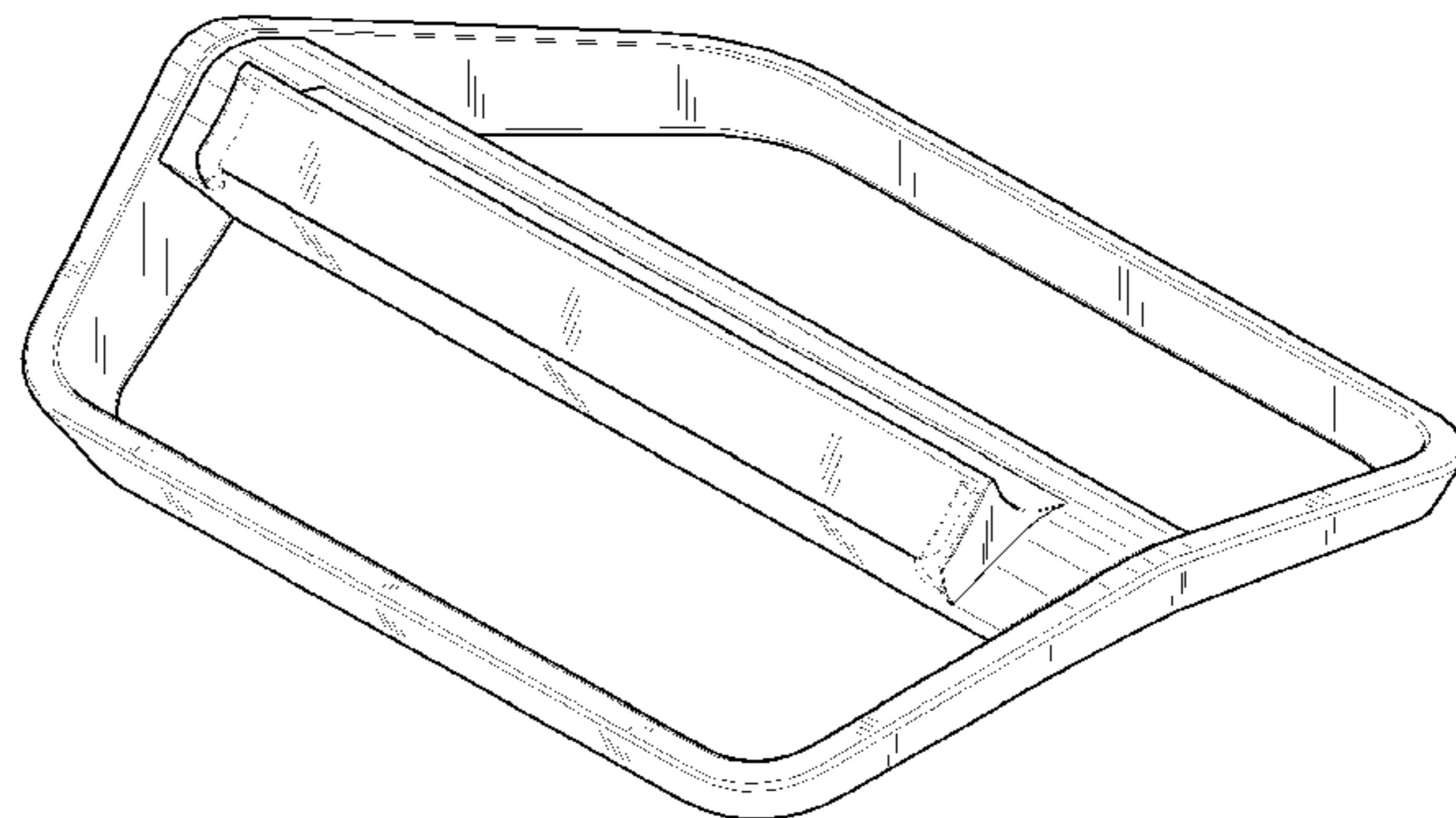
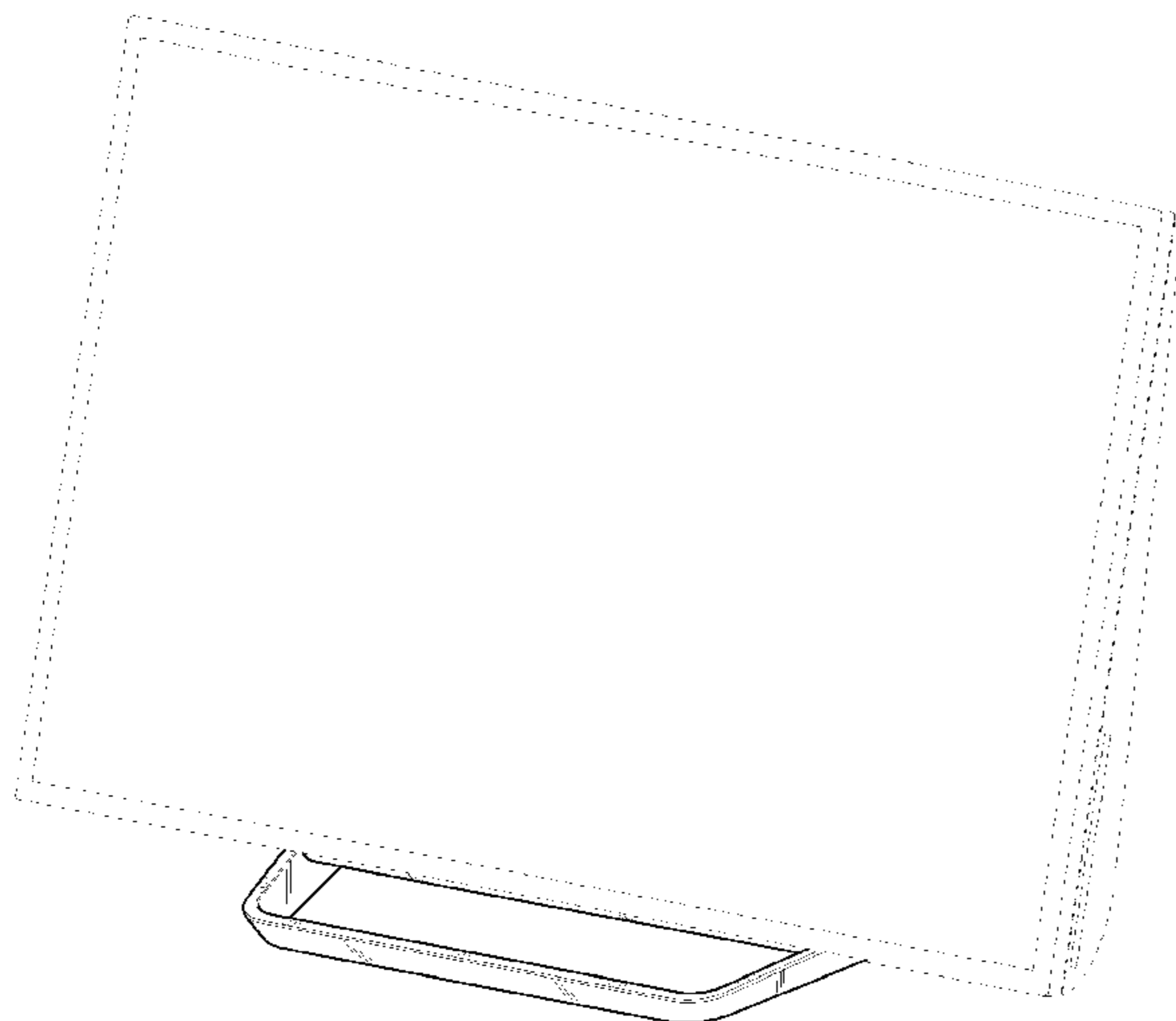


FIG. 1

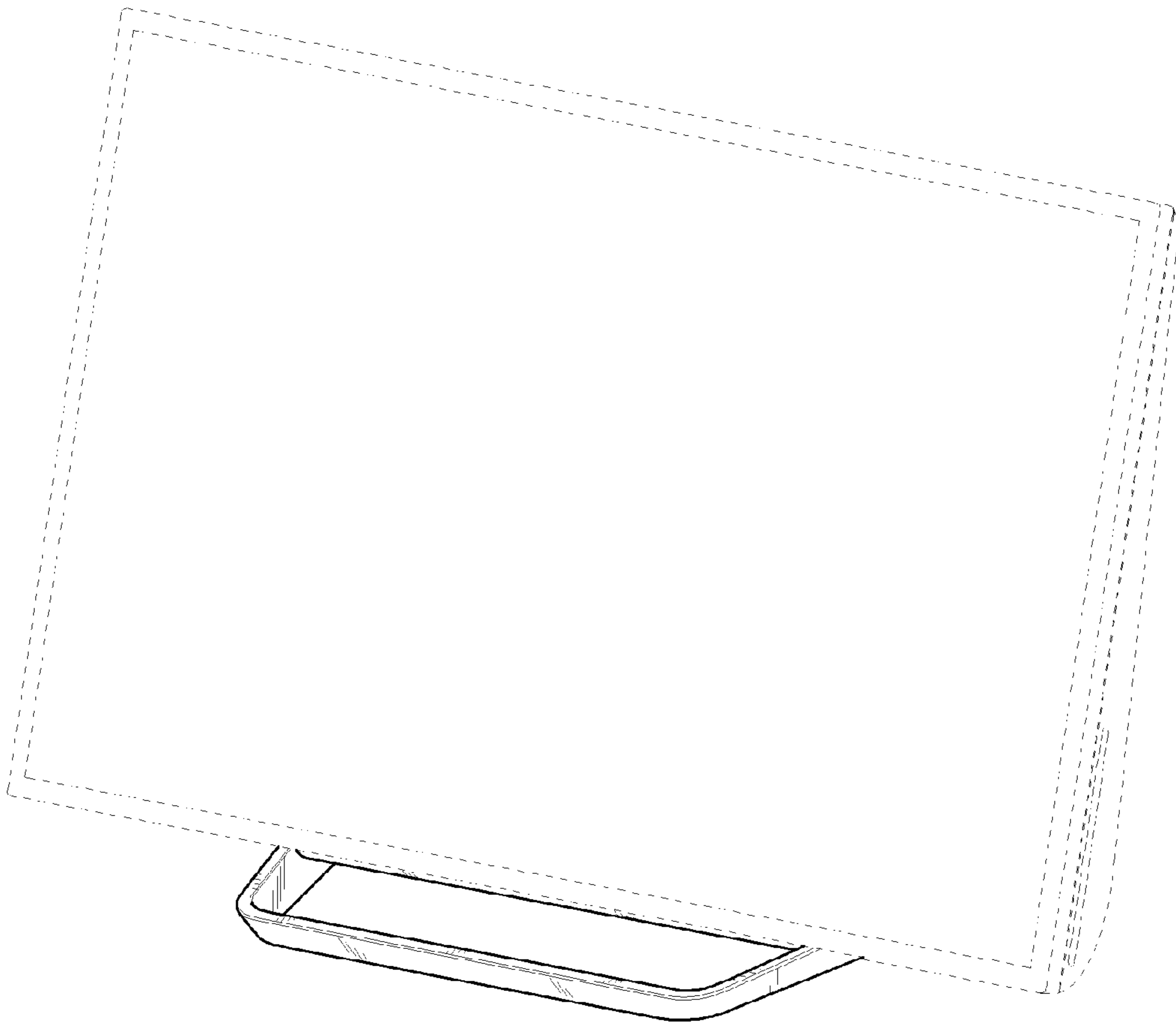


FIG. 2

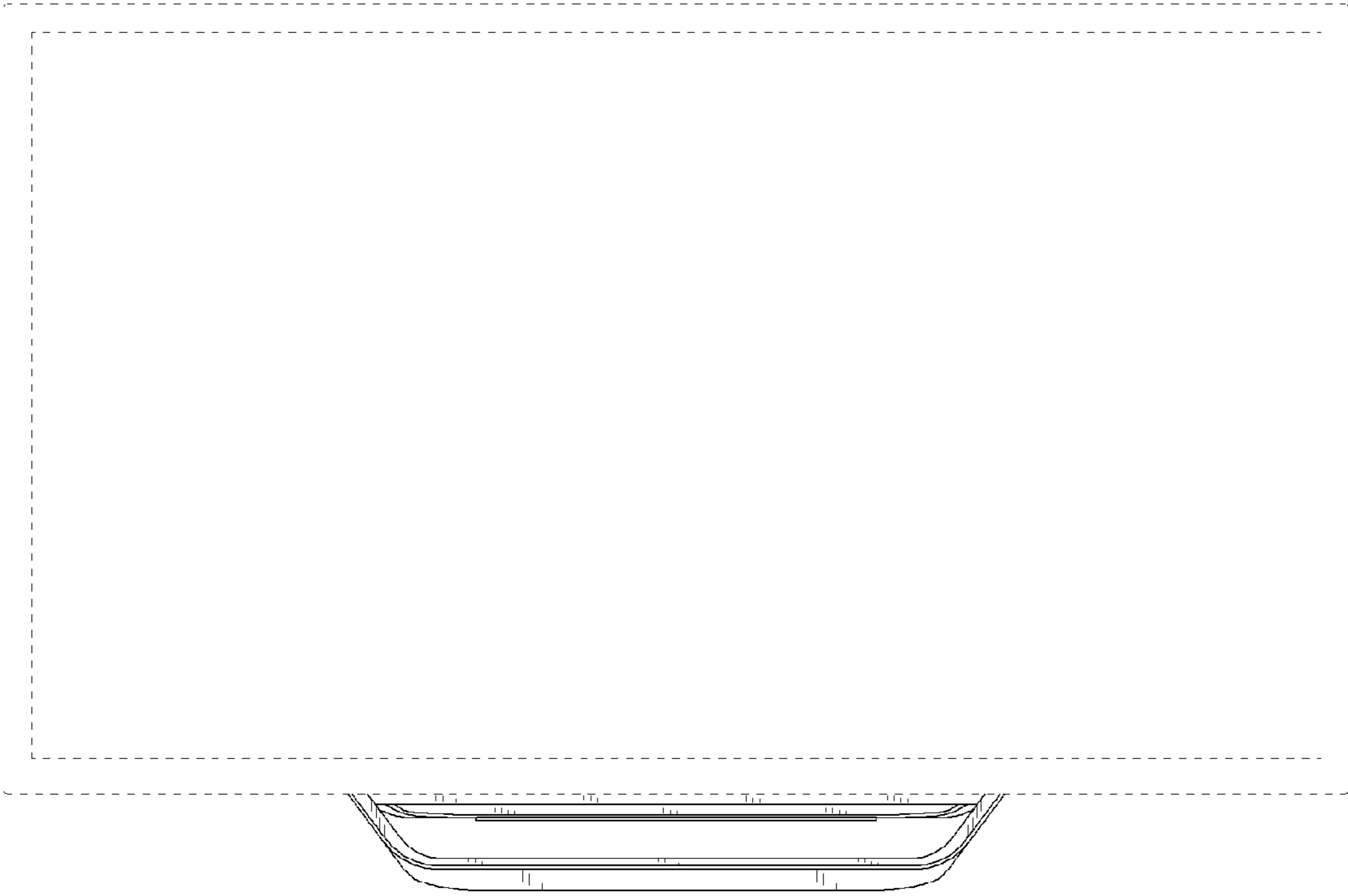


FIG. 3

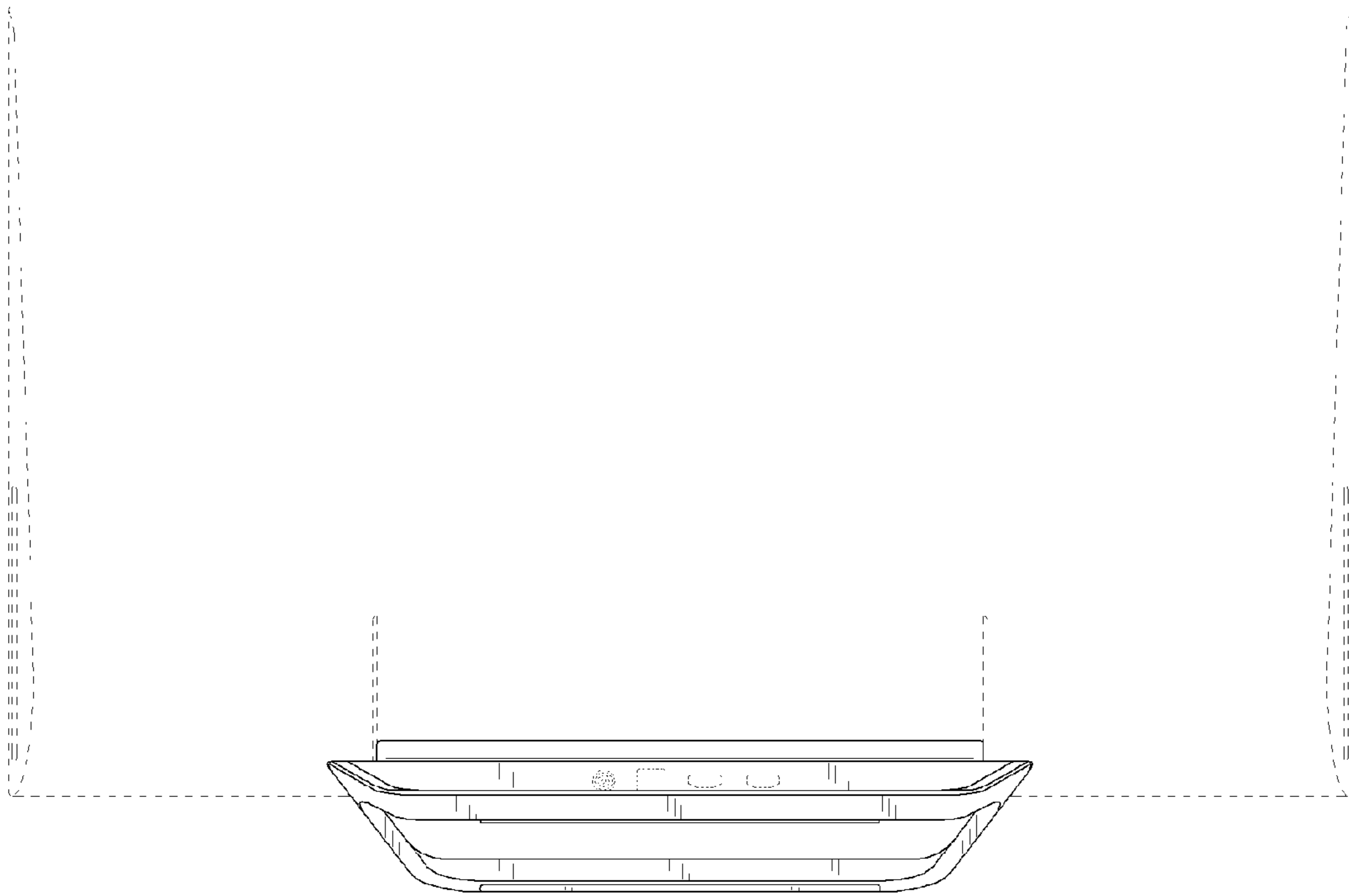


FIG. 4

FIG. 5

FIG. 11

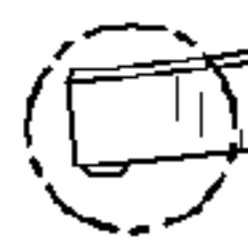
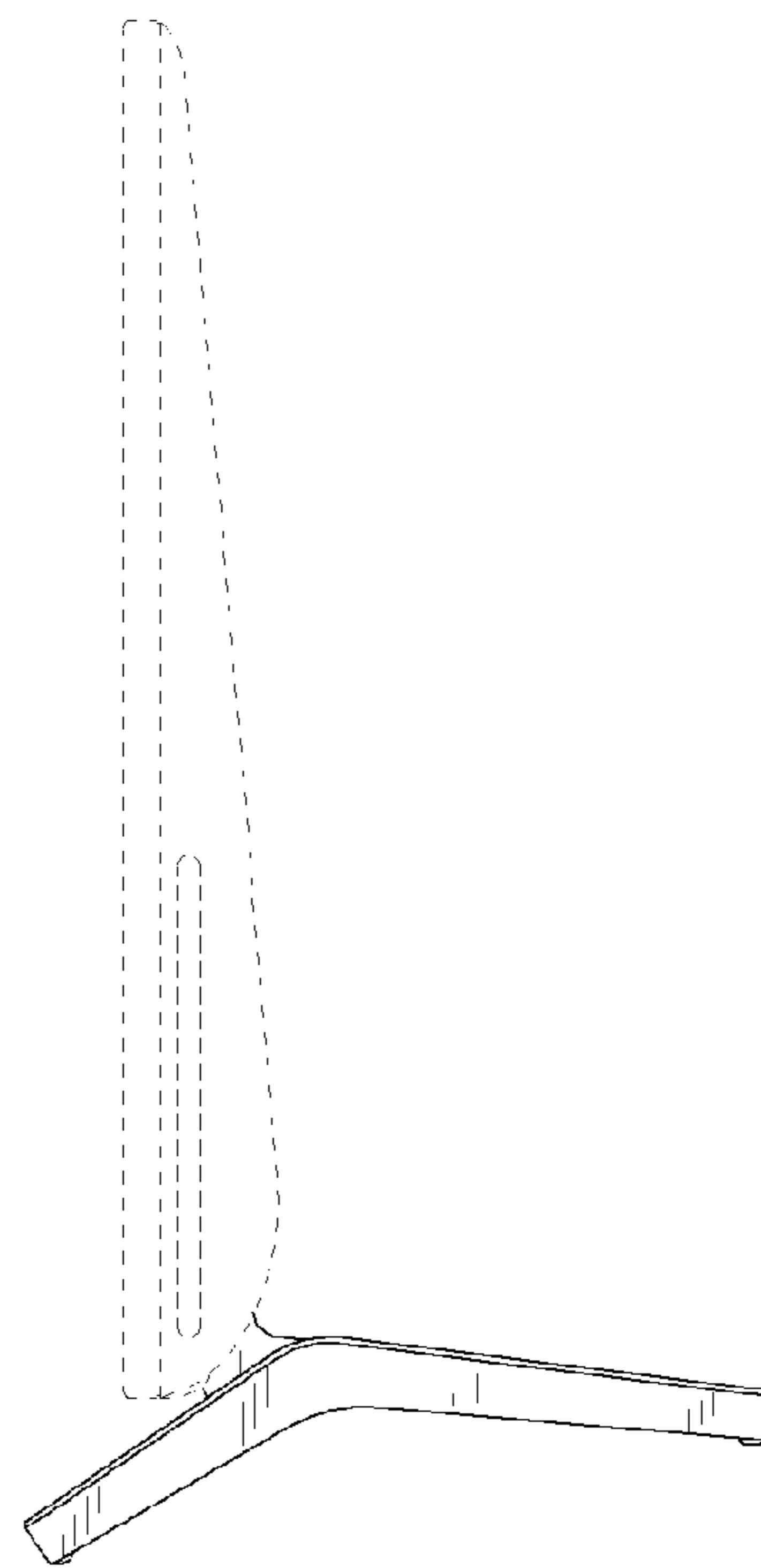
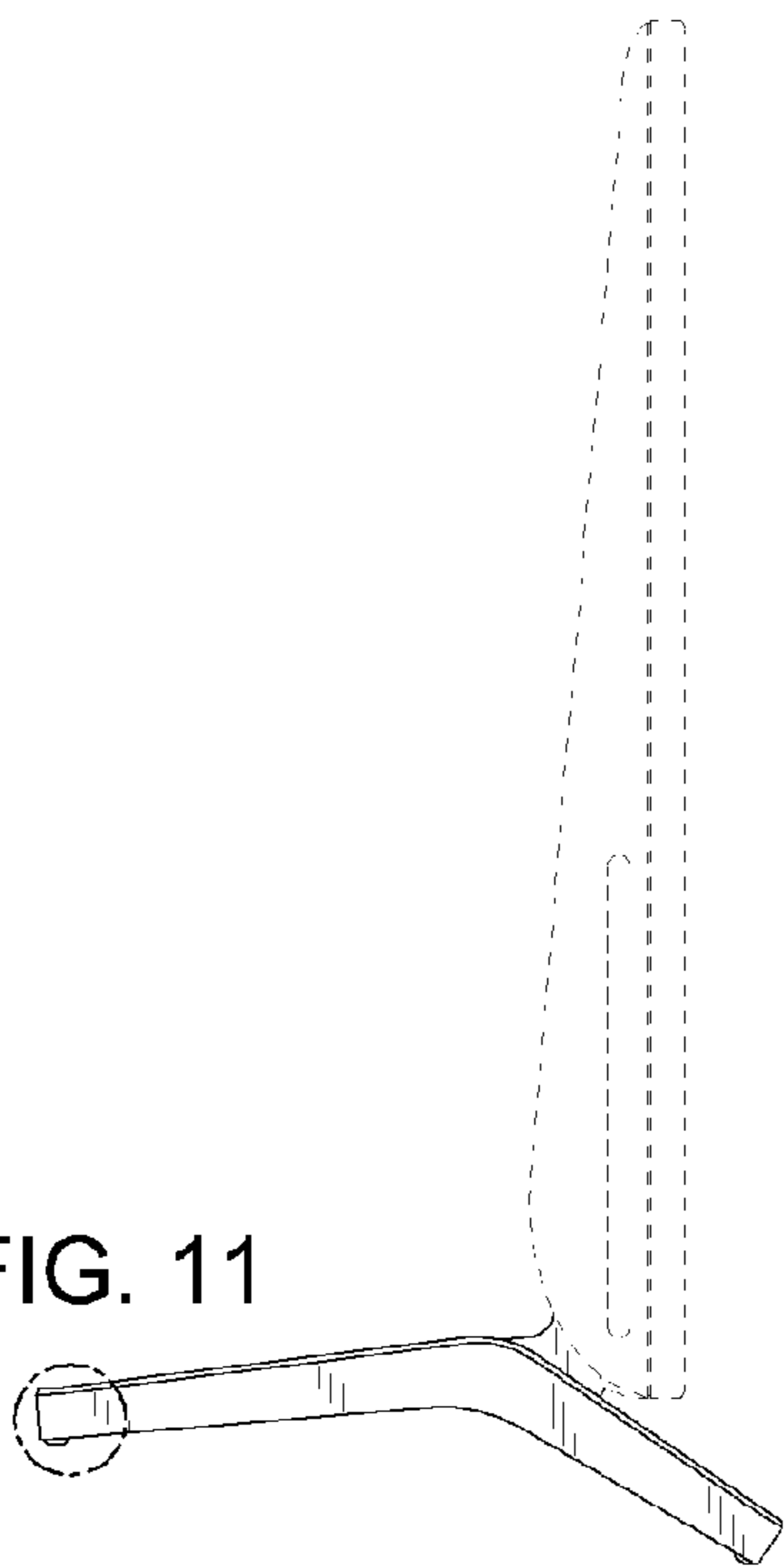


FIG. 6

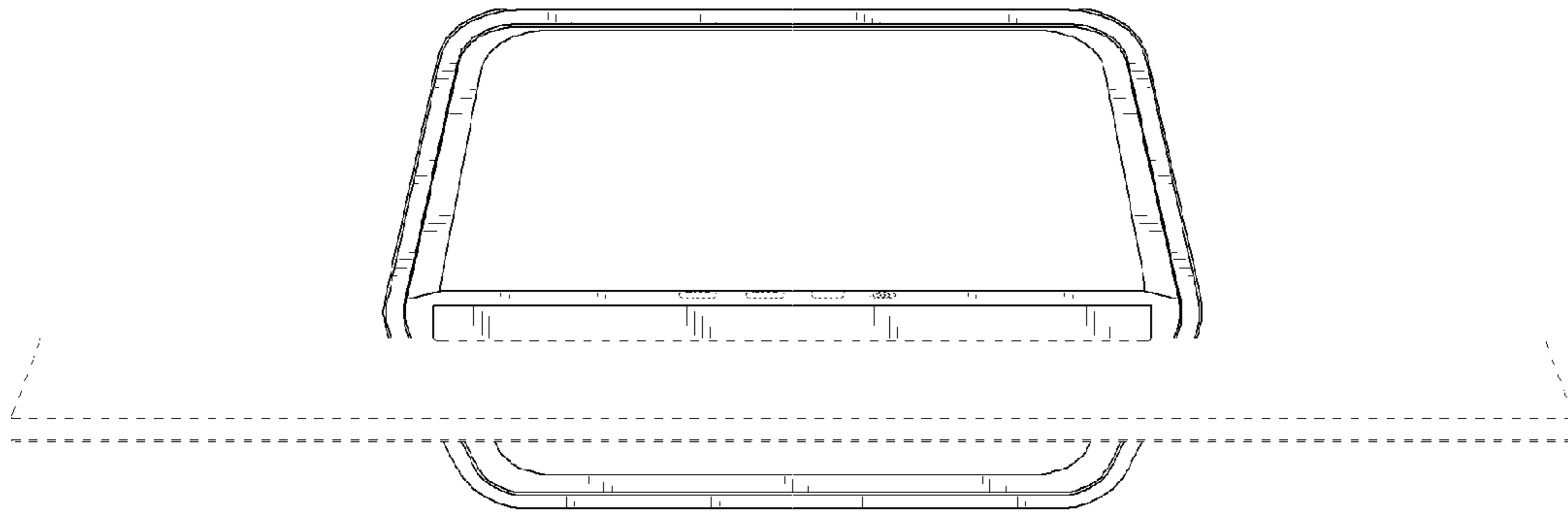


FIG. 7

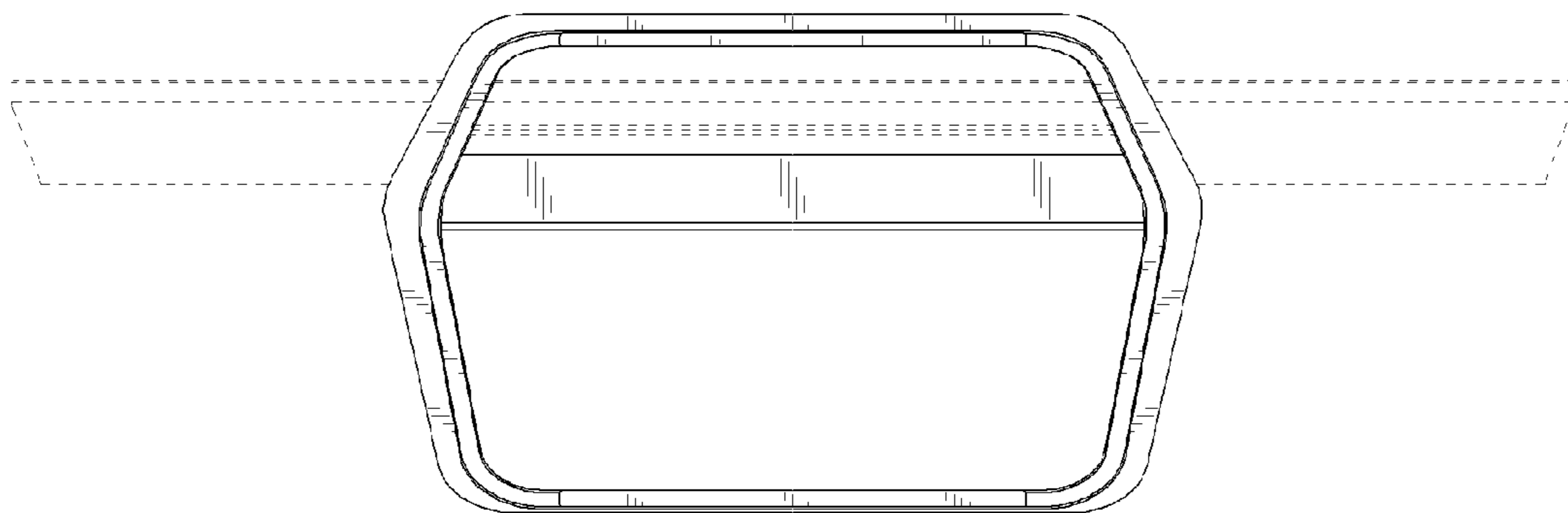


FIG. 8

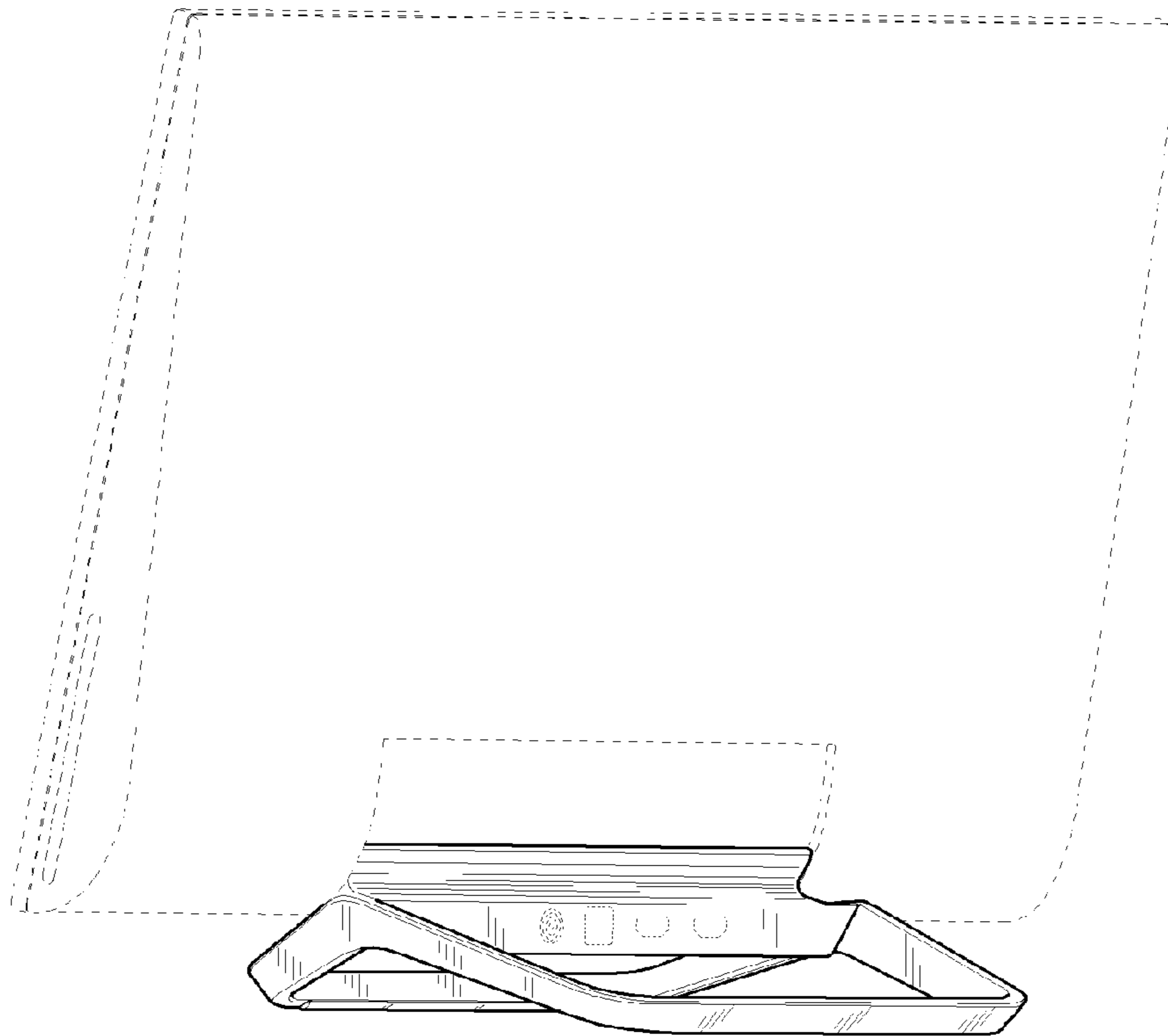


FIG. 9

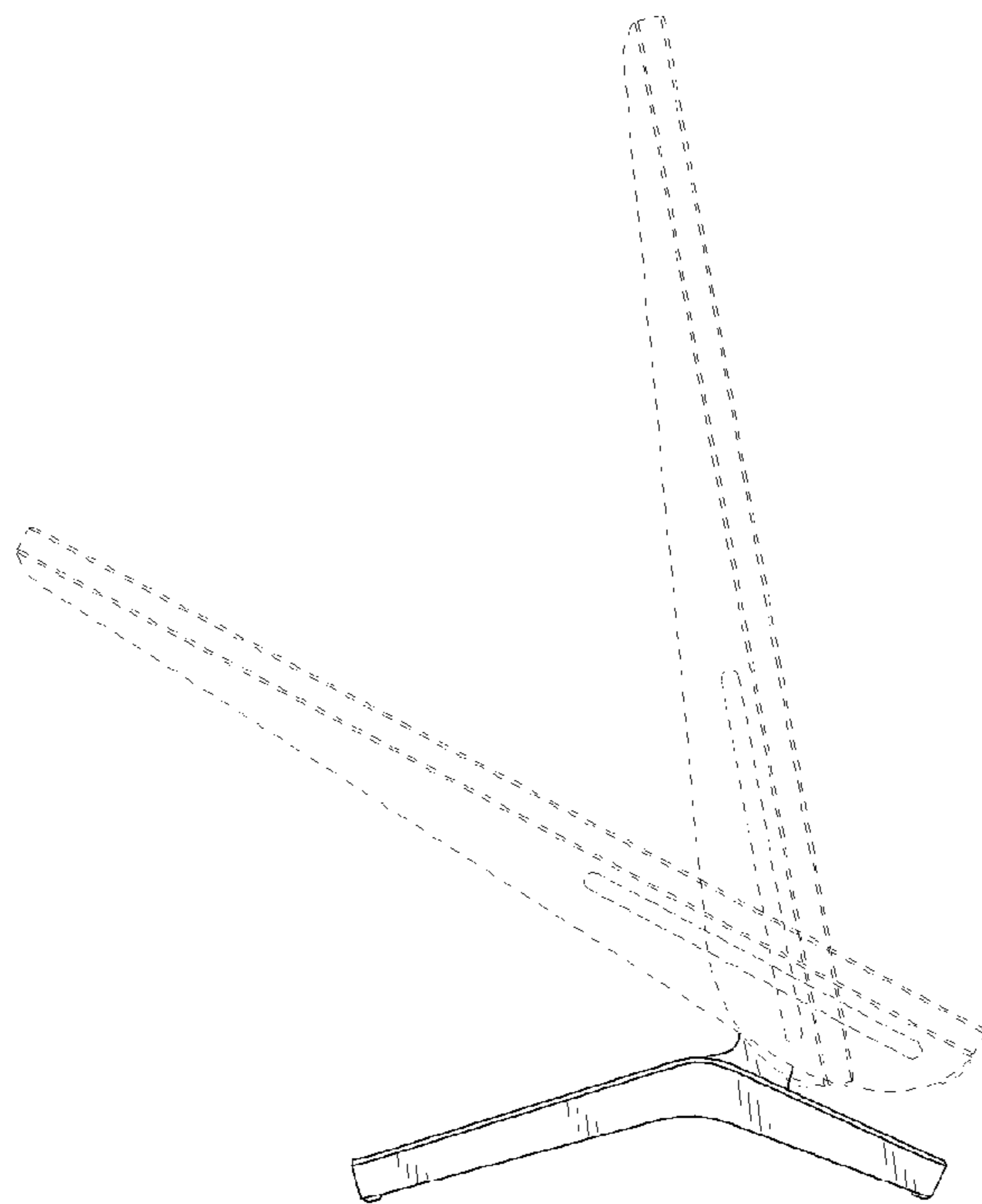


FIG. 10

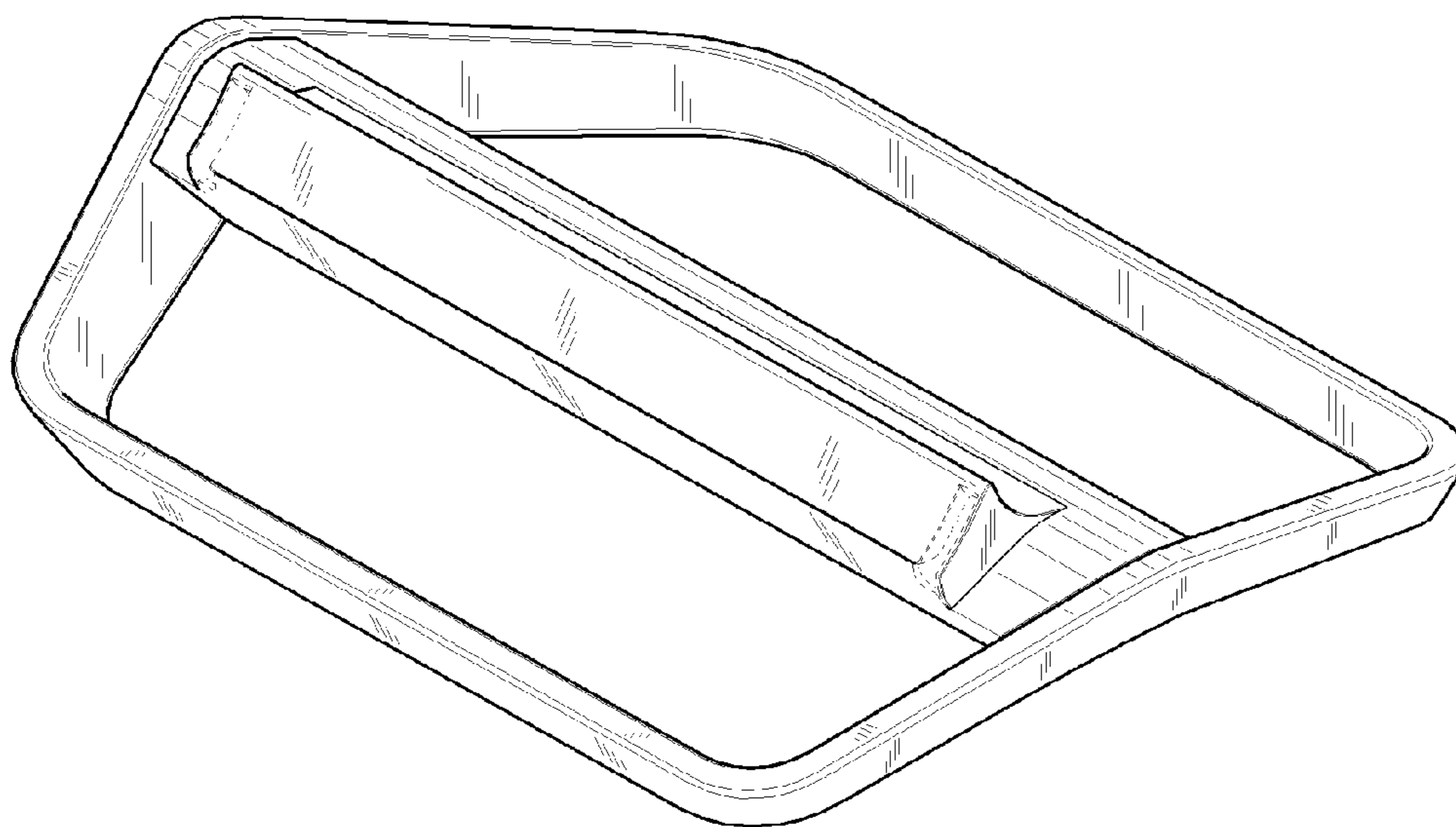


FIG. 11

