



US00D699229S

(12) **United States Design Patent**
Lozano

(10) **Patent No.:** **US D699,229 S**
(45) **Date of Patent:** **** Feb. 11, 2014**

(54) **MOUNTING PANEL FOR AN AUDIO-VIDEO ASSEMBLY**

(71) Applicant: **Anthony Lozano**, San Jose, CA (US)

(72) Inventor: **Anthony Lozano**, San Jose, CA (US)

(**) Term: **14 Years**

(21) Appl. No.: **29/443,115**

(22) Filed: **Jan. 14, 2013**

(51) **LOC (10) Cl.** **14-03**

(52) **U.S. Cl.**
USPC **D14/239**

(58) **Field of Classification Search**
USPC D14/239, 168, 188, 197, 198, 371,
D14/374-377, 496-510; 312/7.1, 7.2;
348/836, 838, 180, 184, 325, 739, 825,
348/827; 341/12; 349/58; 720/600, 619,
720/646, 647, 655; 455/347-351;
369/75.11, 75.21; D6/474-499, 407,
D6/460, 461, 468; 248/465, 917-924,
248/123.11; 600/41.12, 42, 49.1, 50, 85.2,
600/90.04, 187, 190, 119.003, 134.153,
600/87.01, 71.01

See application file for complete search history.

(56) **References Cited**

U.S. PATENT DOCUMENTS

6,189,849	B1 *	2/2001	Sweere et al.	248/286.1
D482,016	S *	11/2003	Howe et al.	D14/172
6,809,295	B1 *	10/2004	Vargas	219/393
D517,838	S *	3/2006	Luong	D6/479
7,175,152	B2 *	2/2007	Dittmer	248/221.11
D539,232	S	3/2007	Lozano	
D541,764	S	5/2007	Lozano	
D552,051	S	10/2007	Lozano	

D586,792	S	2/2009	Lozano	
7,530,538	B2 *	5/2009	Whalen et al.	248/125.8
D595,978	S *	7/2009	Portnoy et al.	D6/477
D622,275	S	8/2010	Lozano	
D637,568	S *	5/2011	Desai et al.	D14/126
D645,850	S	9/2011	Lozano	
8,079,311	B2 *	12/2011	Whalen et al.	108/42
D652,225	S *	1/2012	Andersen	D6/373
D652,412	S	1/2012	Lozano	
8,191,485	B1 *	6/2012	Whalen et al.	108/42
2003/0102781	A1 *	6/2003	White et al.	312/7.2

* cited by examiner

Primary Examiner — Randall Gholson

(74) *Attorney, Agent, or Firm* — Mattingly & Malur, PC

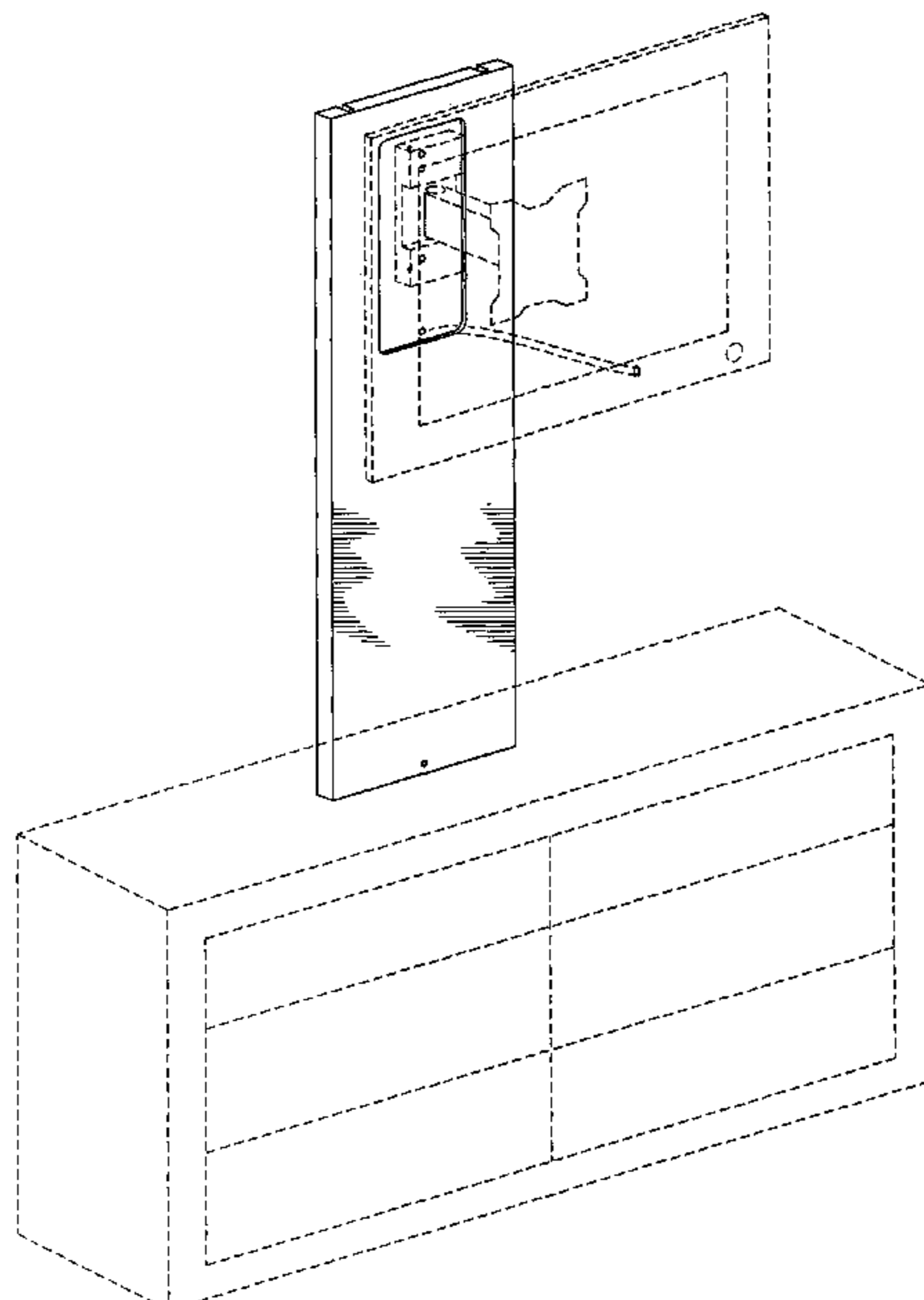
(57) **CLAIM**

The ornamental design for a mounting panel for an audio-video assembly, as illustrated and described.

DESCRIPTION

FIG. 1 is a front perspective view of my new design for a mounting panel for an audio-video assembly; FIG. 2 is a front perspective view thereof; FIG. 3 is a rear perspective view thereof; FIG. 4 is a front elevational view thereof; FIG. 5 is a left plan view thereof; FIG. 6 is a right plan view thereof; FIG. 7 is a top plan view thereof; FIG. 8 is a bottom plan view thereof; FIG. 9 is a rear elevational view thereof; FIG. 10 is a front exploded perspective view thereof; and, FIG. 11 is a rear exploded perspective view thereof. The broken lines showing of a cabinet, an audio-video assembly and associated cabling is included for the purpose of illustrating environment and forms no part of the claimed design.

1 Claim, 8 Drawing Sheets



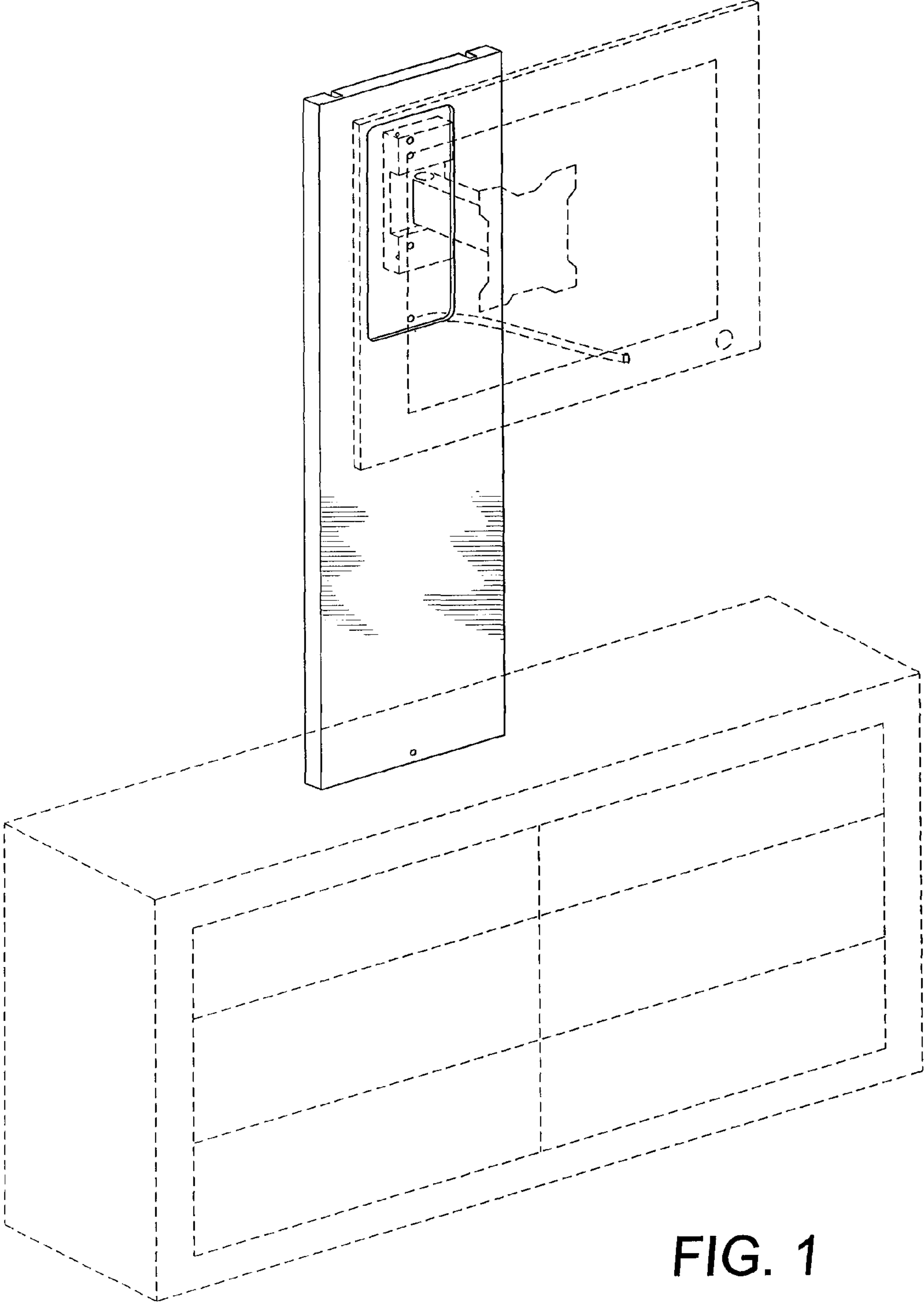


FIG. 1

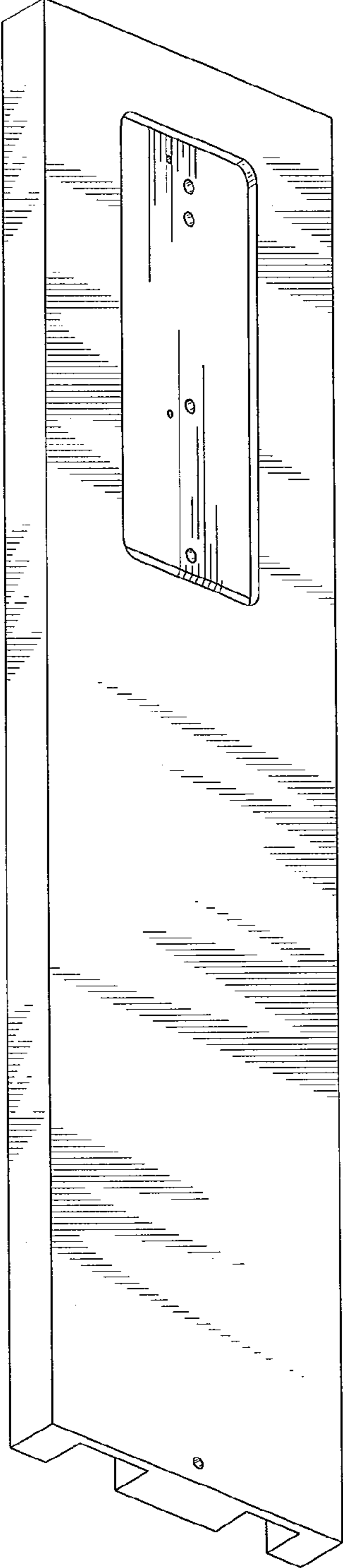


FIG. 2

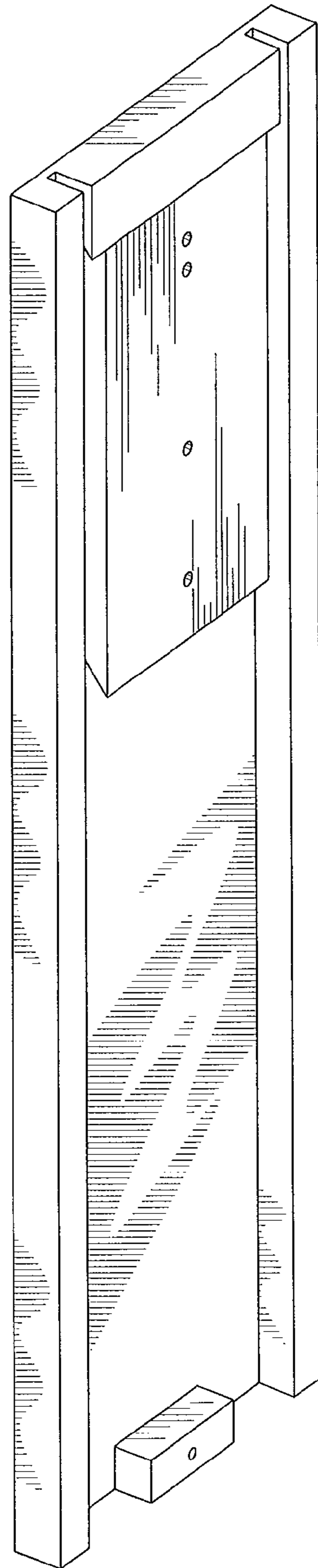


FIG. 3

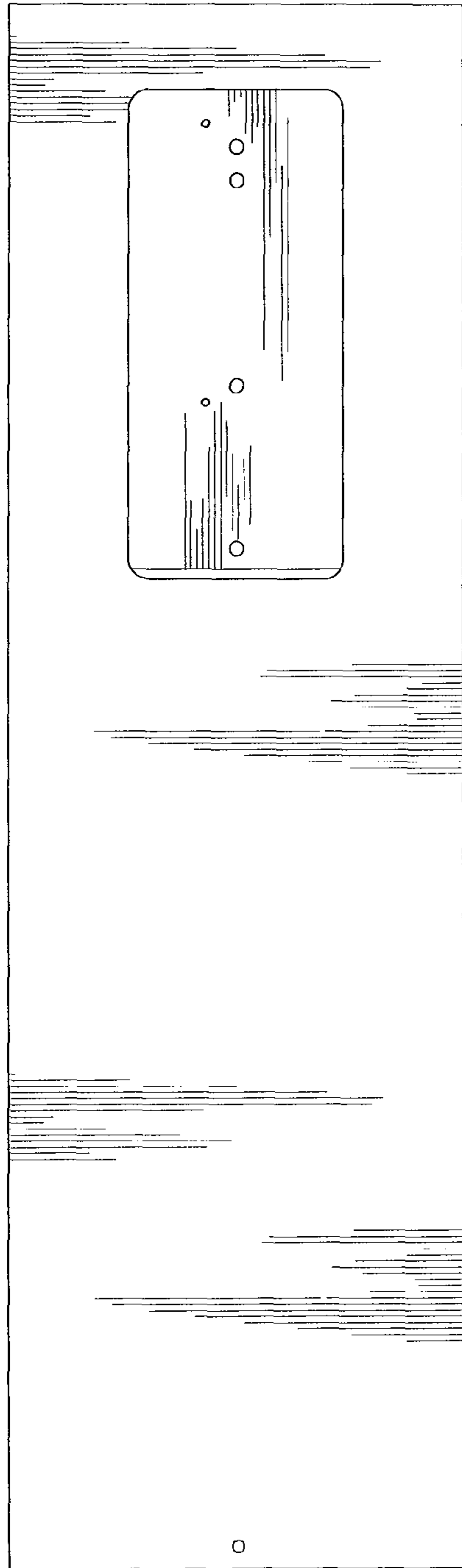


FIG. 4

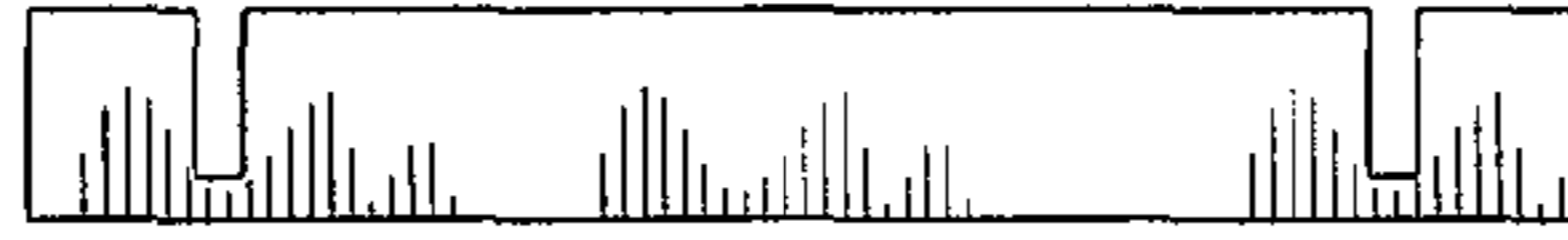


FIG. 7

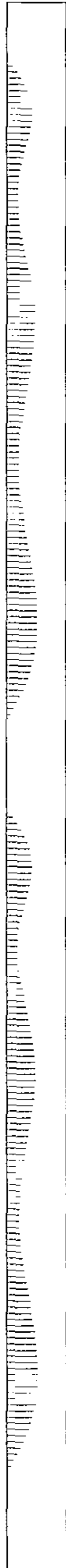


FIG. 5



FIG. 6

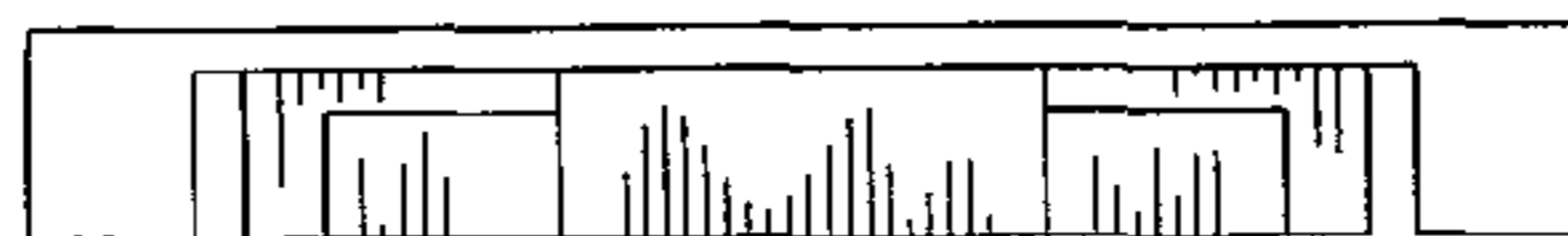


FIG. 8

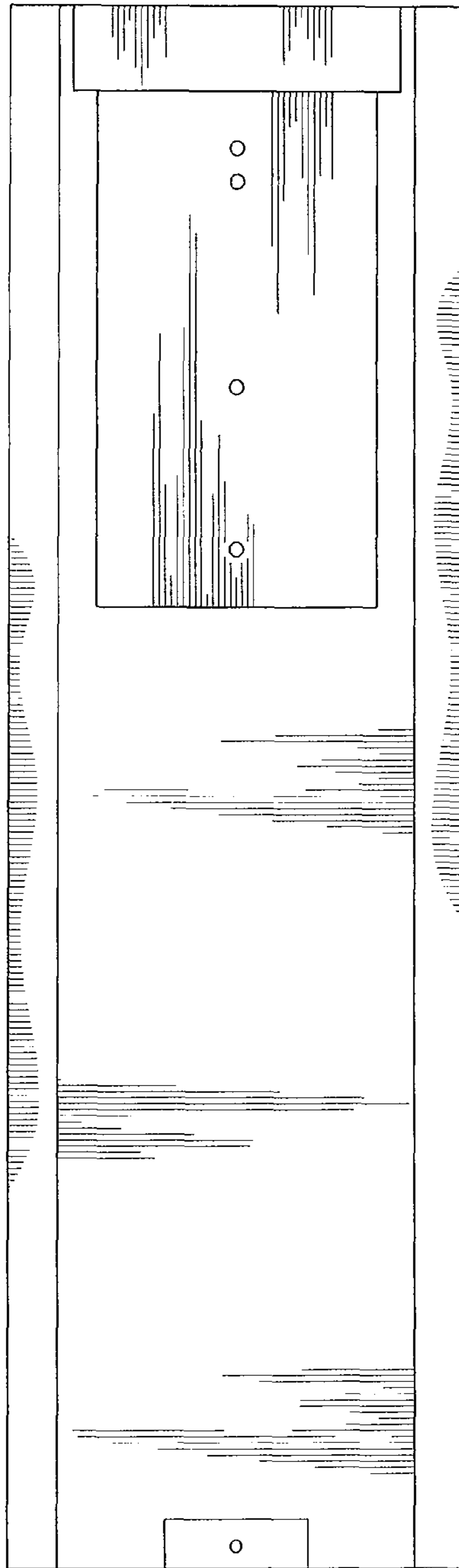


FIG. 9

FIG. 10

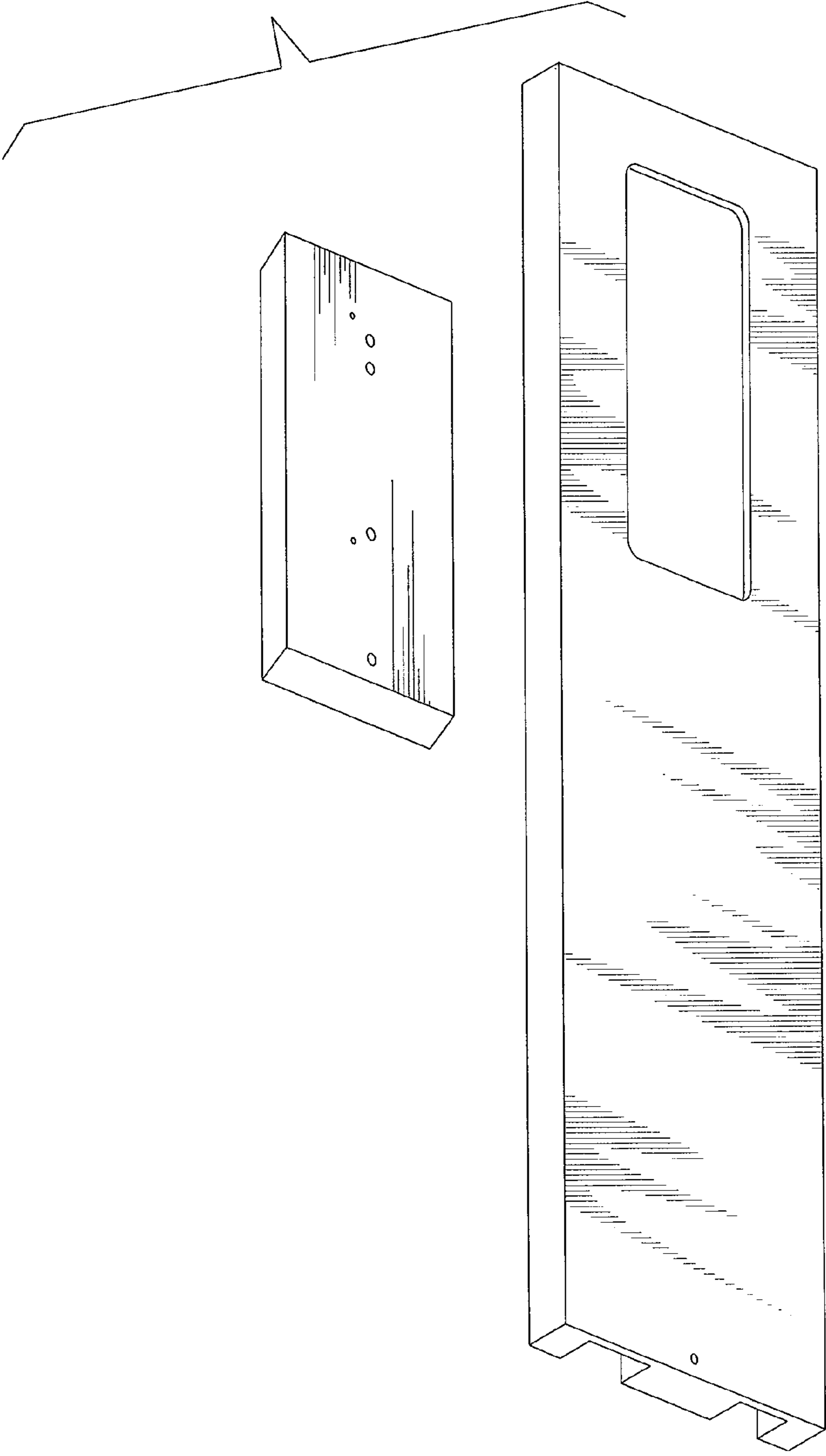


FIG. 11

