



US00D699228S

(12) **United States Design Patent**
Ferguson et al.

(10) **Patent No.:** **US D699,228 S**

(45) **Date of Patent:** **** Feb. 11, 2014**

(54) **ANTENNA**

(75) Inventors: **Don Ferguson**, Mississauga (CA);
Mircea Paun, Mississauga (CA); **Tudor Patroi**, Mississauga (CA); **Steve Taylor**, Mississauga (CA)

(73) Assignee: **Lyngsoe Systems Limited**, Mississauga, Ontario (CA)

(**) Term: **14 Years**

(21) Appl. No.: **29/428,856**

(22) Filed: **Aug. 3, 2012**

(51) **LOC (10) Cl.** **14-03**

(52) **U.S. Cl.**
USPC **D14/230; D14/238**

(58) **Field of Classification Search**
USPC D14/138, 230-238, 299, 358; D12/42, D12/43; 343/700 MS, 700 R-705, 711-713, 343/735, 736, 741, 748, 767, 795, 819, 840, 343/846, 866, 871-908; 455/90.2, 90.3, 91, 455/128, 269, 344, 347, 562.1; 340/10.1; 342/27

See application file for complete search history.

(56) **References Cited**

U.S. PATENT DOCUMENTS

D179,111 S * 11/1956 Ballan et al. D14/234
3,273,158 A * 9/1966 Fouts et al. 343/792
4,772,890 A * 9/1988 Bowen et al. 343/700 MS

D315,738 S * 3/1991 Takizawa D14/233
D326,097 S * 5/1992 Ferrario D14/230
D345,564 S * 3/1994 Kadono et al. D14/230
D347,637 S * 6/1994 Burchardt et al. D14/230
D382,566 S * 8/1997 Schrum et al. D14/230
D517,535 S * 3/2006 Wu D14/230
D531,995 S * 11/2006 Shinkawa et al. D14/230
D533,545 S * 12/2006 Inoue D14/230
D546,709 S * 7/2007 Brooks D10/2
D548,730 S * 8/2007 Inoue D14/230
D552,088 S * 10/2007 Schneider D14/230
D642,173 S * 7/2011 Lee et al. D14/365
D664,126 S * 7/2012 Feit D14/230
2007/0279852 A1 * 12/2007 Daniel et al. 361/683

* cited by examiner

Primary Examiner — John Windmuller

(74) *Attorney, Agent, or Firm* — Jonathan Pollack

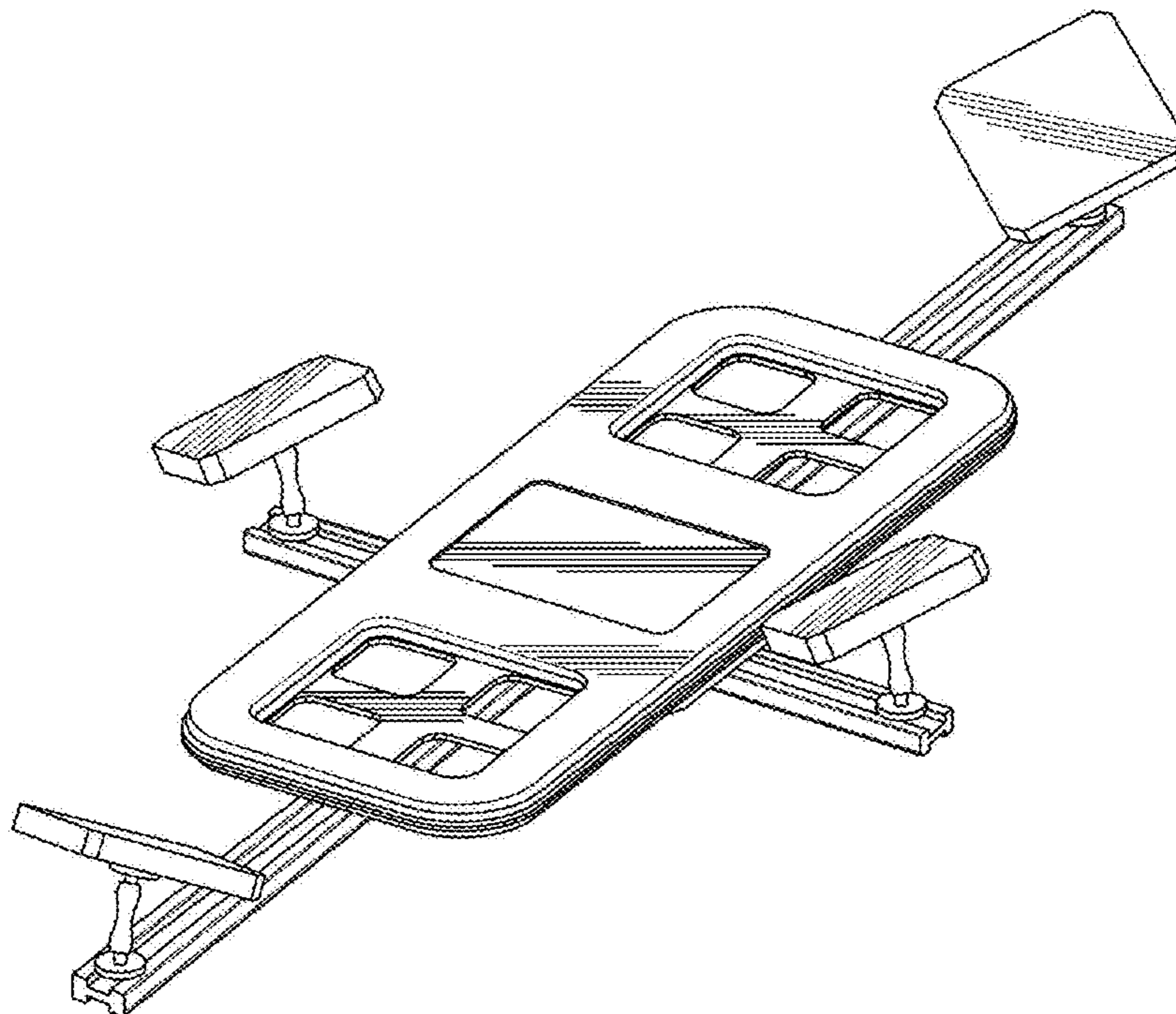
(57) **CLAIM**

The ornamental design for an antenna, as shown and described.

DESCRIPTION

FIG. 1 is a bottom perspective view of an antenna in accordance with our design;
FIG. 2 is a top perspective view of the antenna of FIG. 1;
FIG. 3 is a bottom view of the antenna of FIG. 1;
FIG. 4 is a side elevation view of the antenna of FIG. 1;
FIG. 5 is another side elevation view of the antenna of FIG. 1;
FIG. 6 is an end view of the antenna of FIG. 1;
FIG. 7 is another end view of the antenna of FIG. 1; and,
FIG. 8 is a top view of the antenna of FIG. 1.

1 Claim, 6 Drawing Sheets



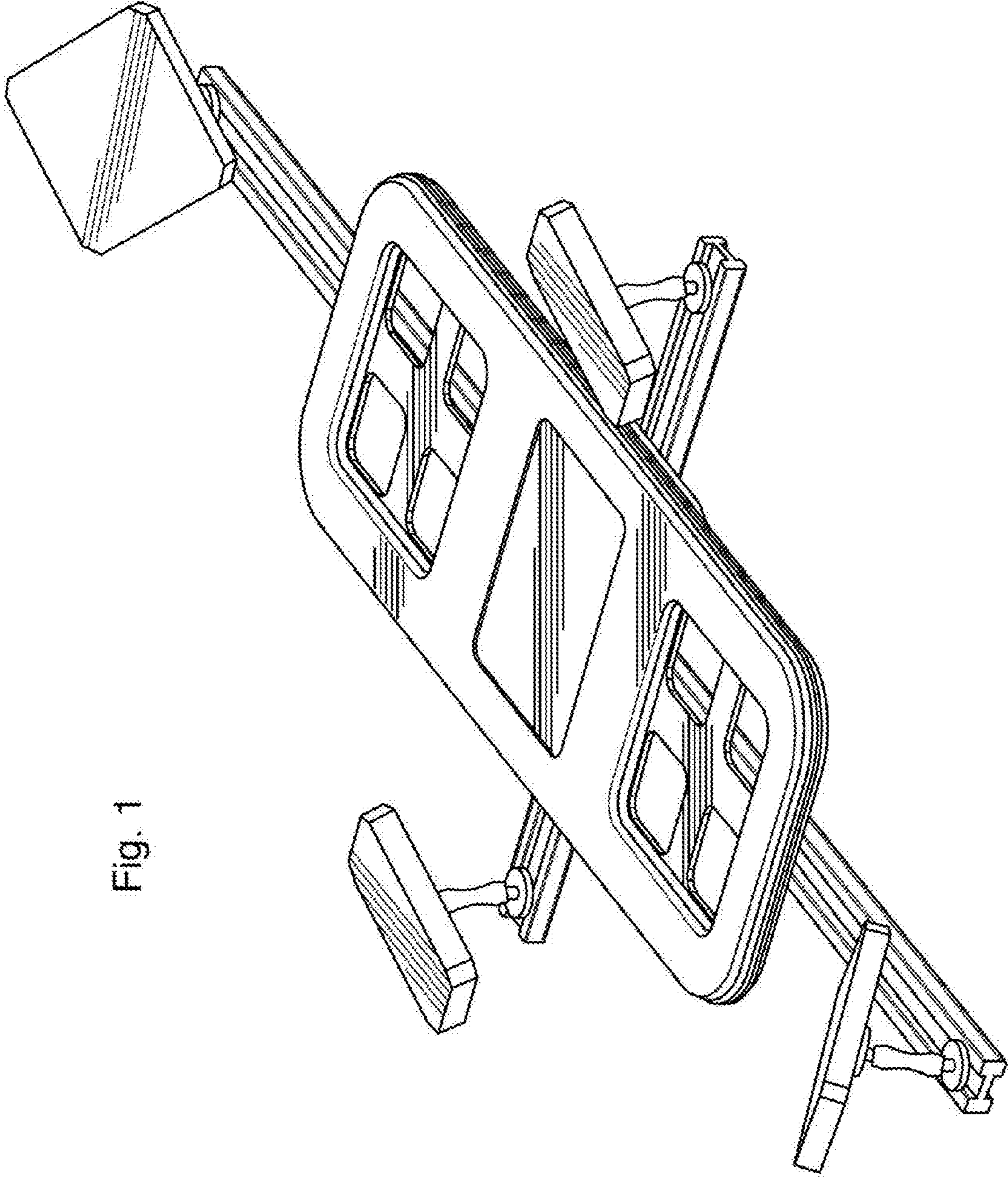


Fig. 1

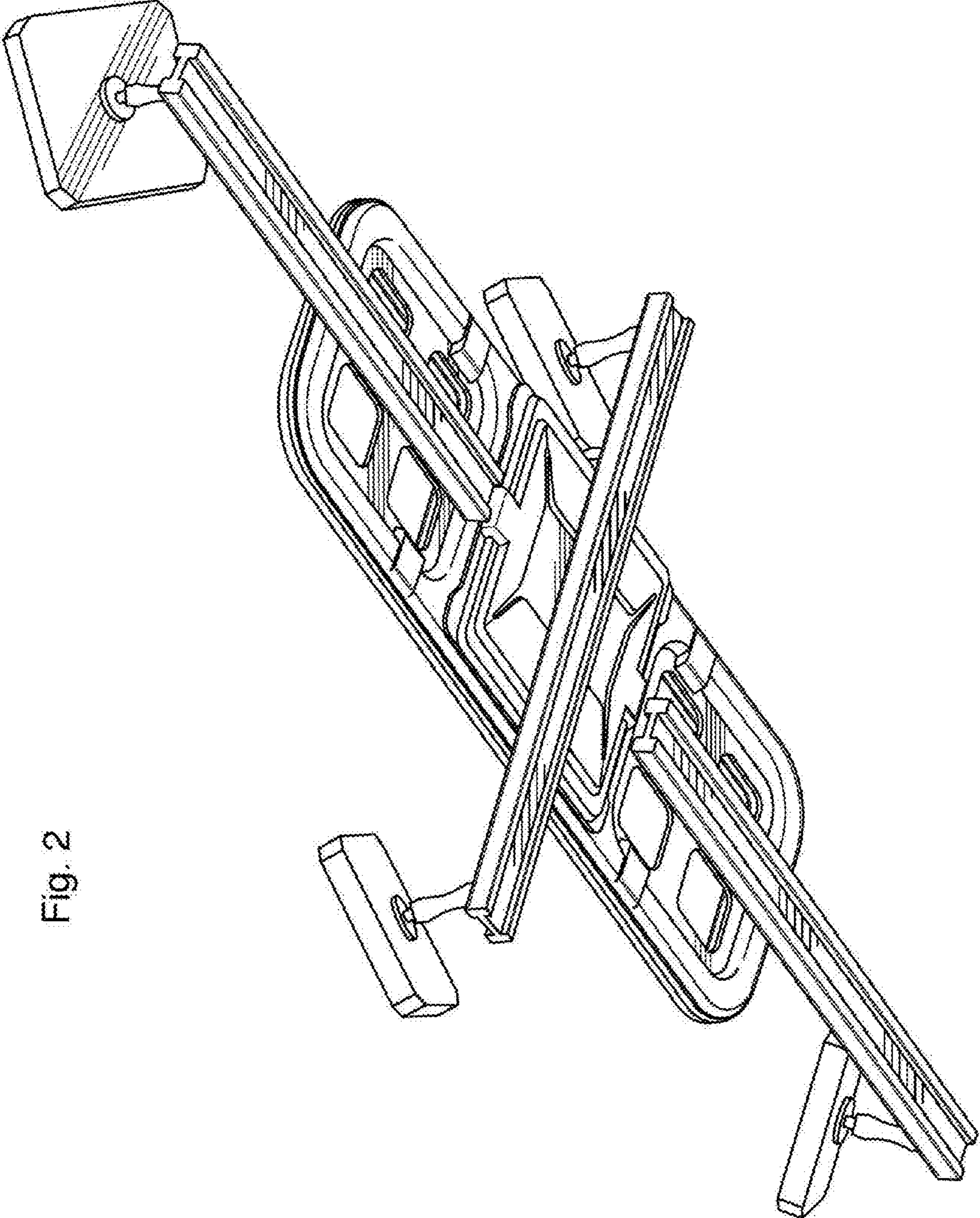


Fig. 2

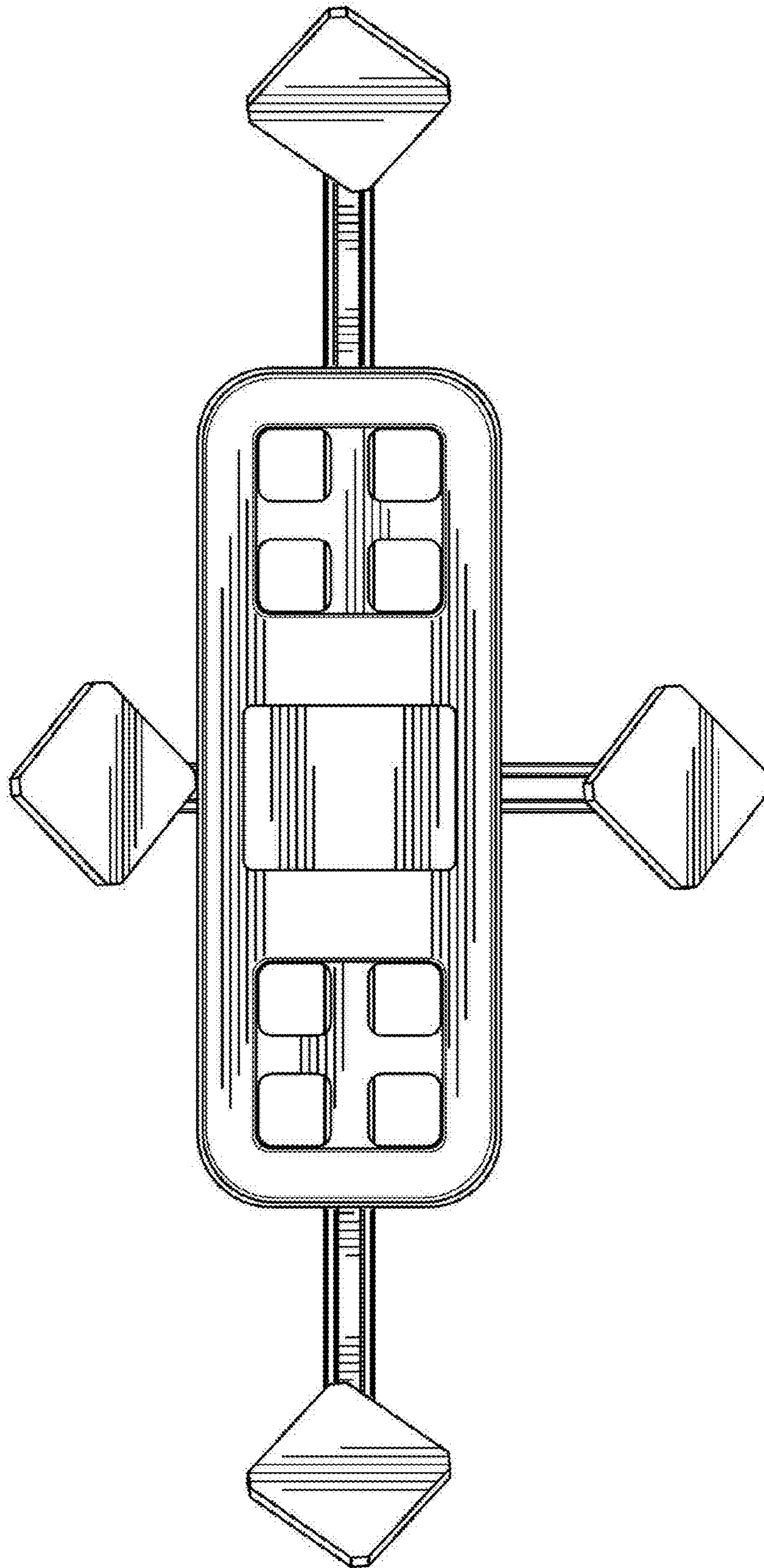


Fig. 3

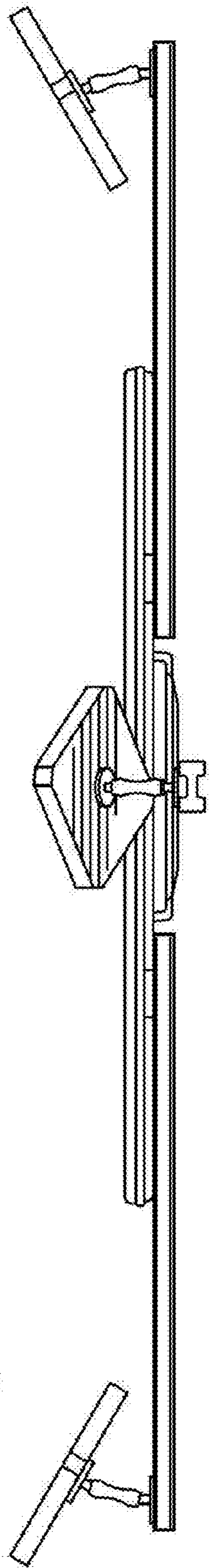


Fig. 4

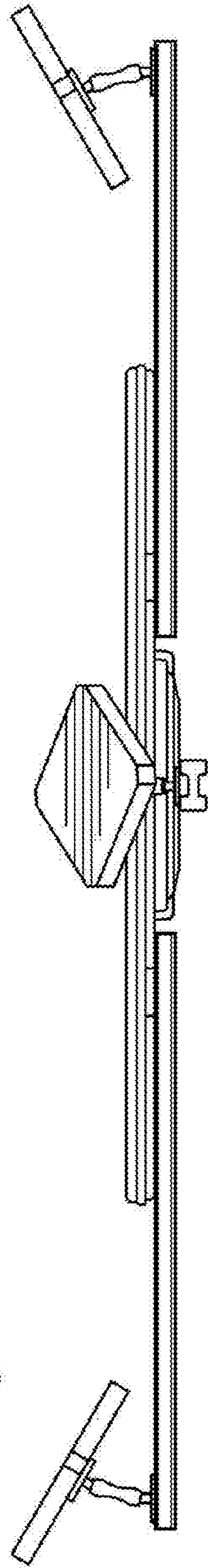


Fig. 5

Fig. 6

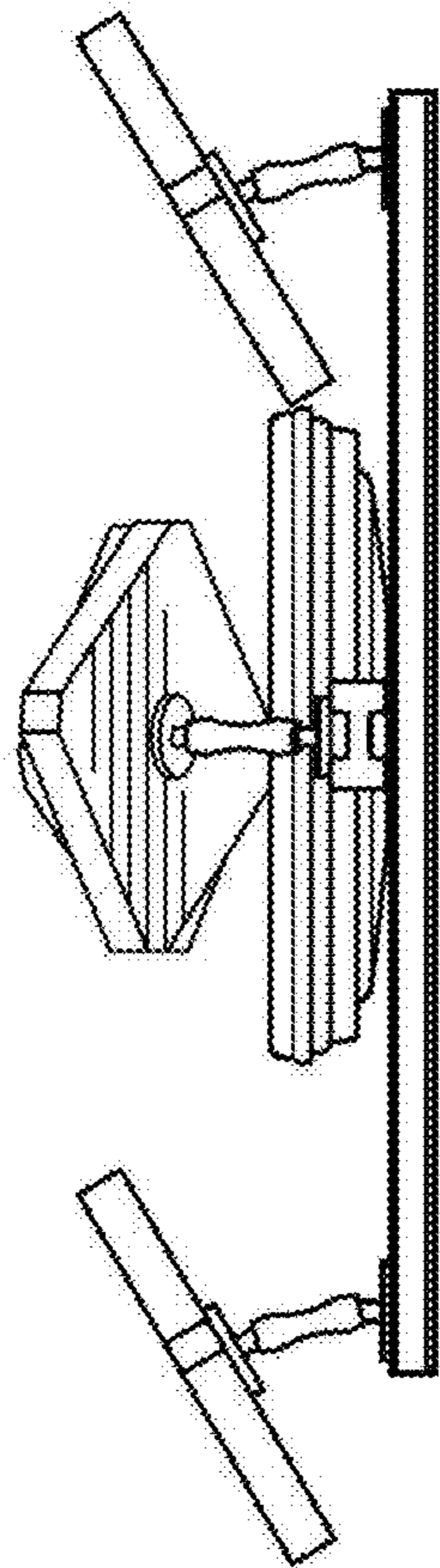
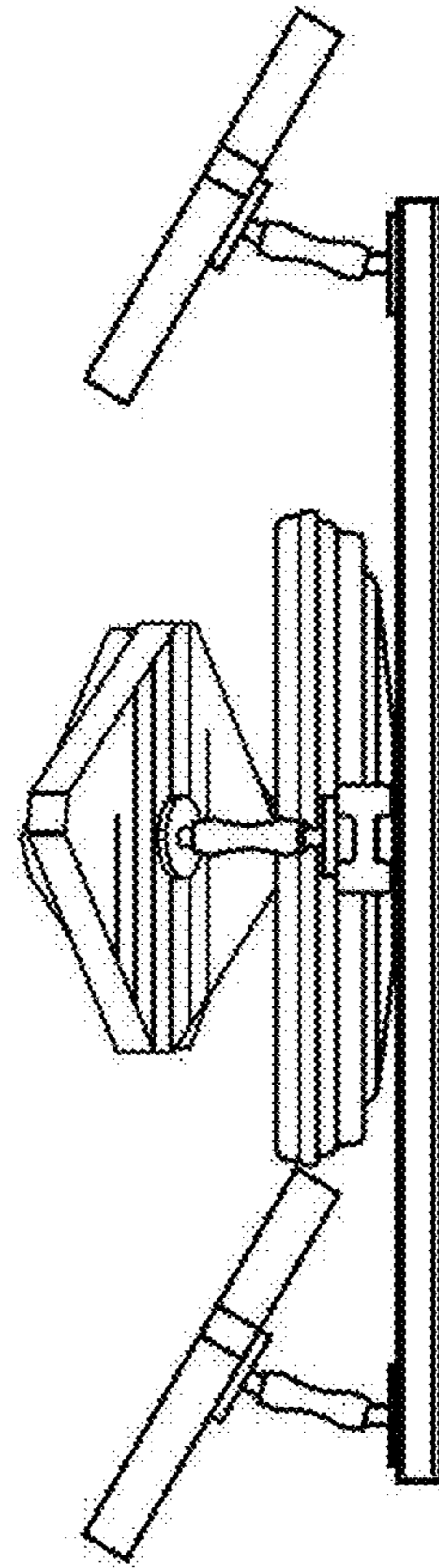


Fig. 7



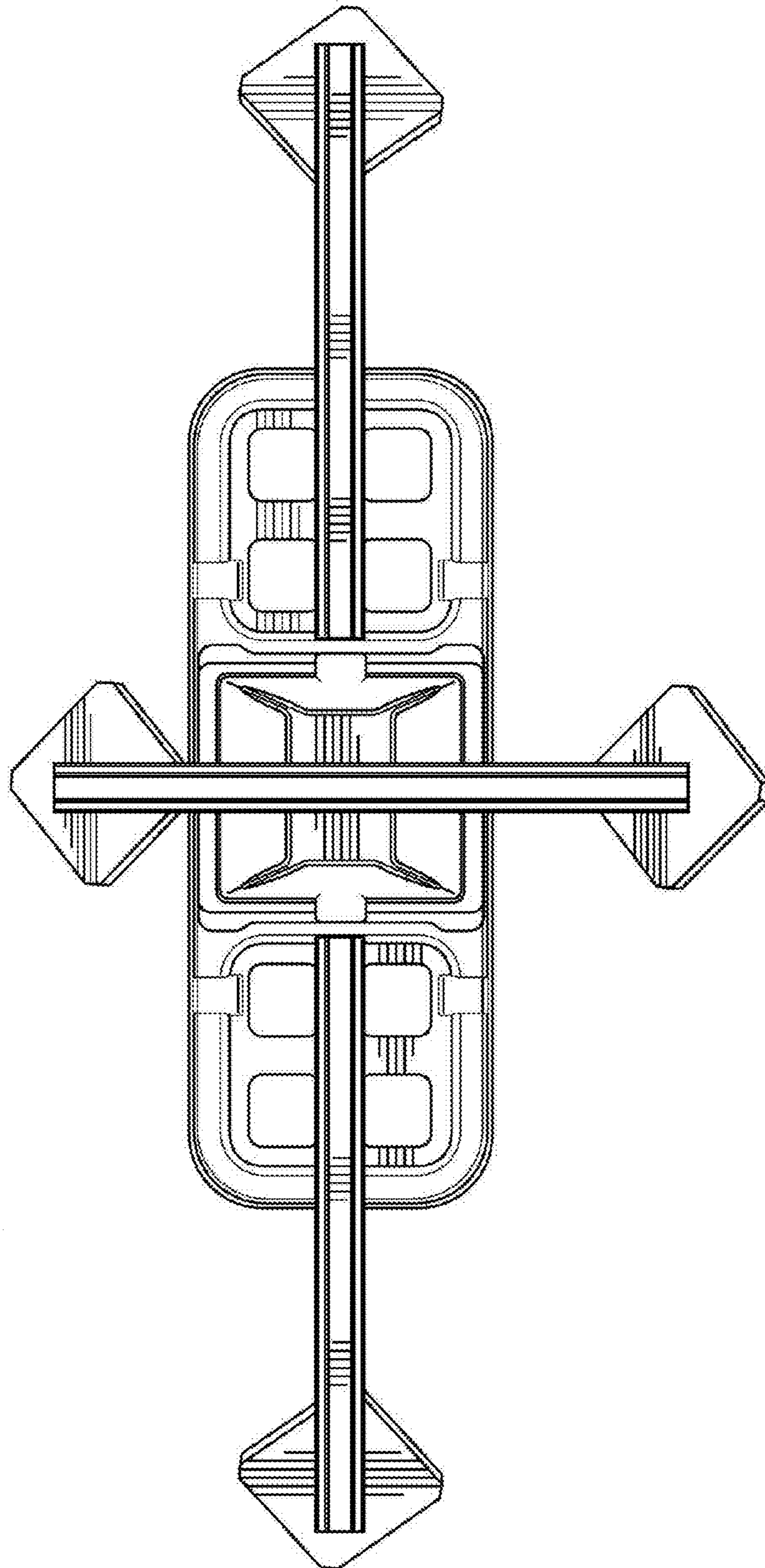


Fig. 8