



US00D699224S

(12) **United States Design Patent**
Diamond

(10) **Patent No.:** **US D699,224 S**

(45) **Date of Patent:** **** Feb. 11, 2014**

(54) **REMOTE CONTROL**

(71) Applicant: **Lawrence Diamond**, Westmount (CA)

(72) Inventor: **Lawrence Diamond**, Westmount (CA)

(**) Term: **14 Years**

(21) Appl. No.: **29/468,385**

(22) Filed: **Sep. 30, 2013**

(51) **LOC (10) Cl.** **14-03**

(52) **U.S. Cl.**
USPC **D14/218**

(58) **Field of Classification Search**
USPC D14/218, 455; D13/168; D21/566;
D10/104, 106; 345/169; 348/14.05,
348/114, 211.99, 734; 340/825.24; 341/22;
455/92, 95, 128, 151.1-151.4, 352,
455/355, FOR. 121; 700/65
See application file for complete search history.

(56) **References Cited**

U.S. PATENT DOCUMENTS

D341,837 S *	11/1993	Curbbun	D14/218
5,481,251 A *	1/1996	Buys et al.	340/12.22
D401,911 S *	12/1998	Hwang	D13/168
D407,695 S *	4/1999	Hwang	D13/168
D423,509 S *	4/2000	Park	D14/218
D452,520 S *	12/2001	Gotham et al.	D16/235
D466,541 S *	12/2002	Yang et al.	D16/218
D496,031 S *	9/2004	Ma et al.	D14/240
D496,653 S *	9/2004	Townsend et al.	D14/240
D517,023 S *	3/2006	Kumagai	D13/168
D520,996 S *	5/2006	Deng	D14/480.5
D530,680 S *	10/2006	Fox et al.	D13/168
D546,782 S *	7/2007	Poulet et al.	D13/168
D548,195 S *	8/2007	Poulet	D13/168

D567,379 S *	4/2008	Svensson	D24/174
D567,801 S *	4/2008	Trappler	D14/218
D577,715 S *	9/2008	Lim et al.	D14/240
D581,943 S *	12/2008	Pedersen et al.	D14/496
D595,668 S *	7/2009	Lasky et al.	D13/168
D604,723 S *	11/2009	Bodley et al.	D14/225
D614,607 S *	4/2010	Kamegi	D14/218
8,026,789 B2 *	9/2011	Harris et al.	340/3.2
D652,819 S *	1/2012	Behar	D14/218
D653,240 S *	1/2012	Wakata	D14/218
D661,688 S *	6/2012	Weitgasser	D14/218
D663,289 S *	7/2012	Murchison et al.	D14/218
D680,972 S *	4/2013	Hunter et al.	D13/168
D688,214 S *	8/2013	Ducret et al.	D13/168

* cited by examiner

Primary Examiner — John Windmuller

(74) *Attorney, Agent, or Firm* — Sheridan Ross P.C.

(57) **CLAIM**

The ornamental design for a remote control, as shown and described.

DESCRIPTION

FIG. 1 is a perspective view of the remote control showing the new design;
FIG. 2 is a front elevation view thereof;
FIG. 3 is a rear elevation view thereof;
FIG. 4 is a left elevation view thereof, the right elevation view being a mirror image thereof;
FIG. 5 is a top plan view thereof;
FIG. 6 is a bottom plan view thereof; and,
FIG. 7 is a perspective view thereof shown in a second position of use, wherein a control panel is extended.
The broken lines depict environment and comprise no part of the claimed design.

1 Claim, 4 Drawing Sheets

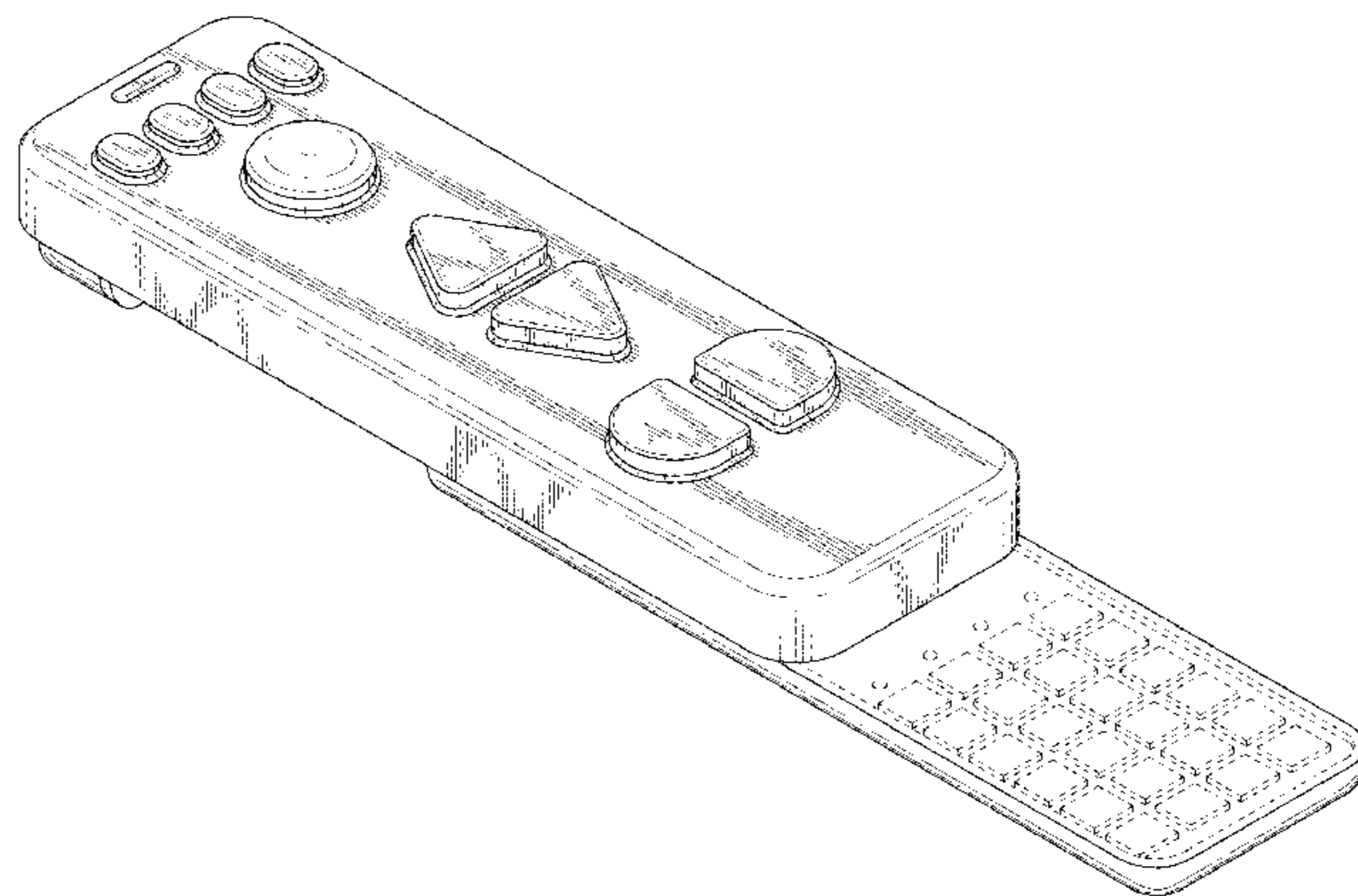
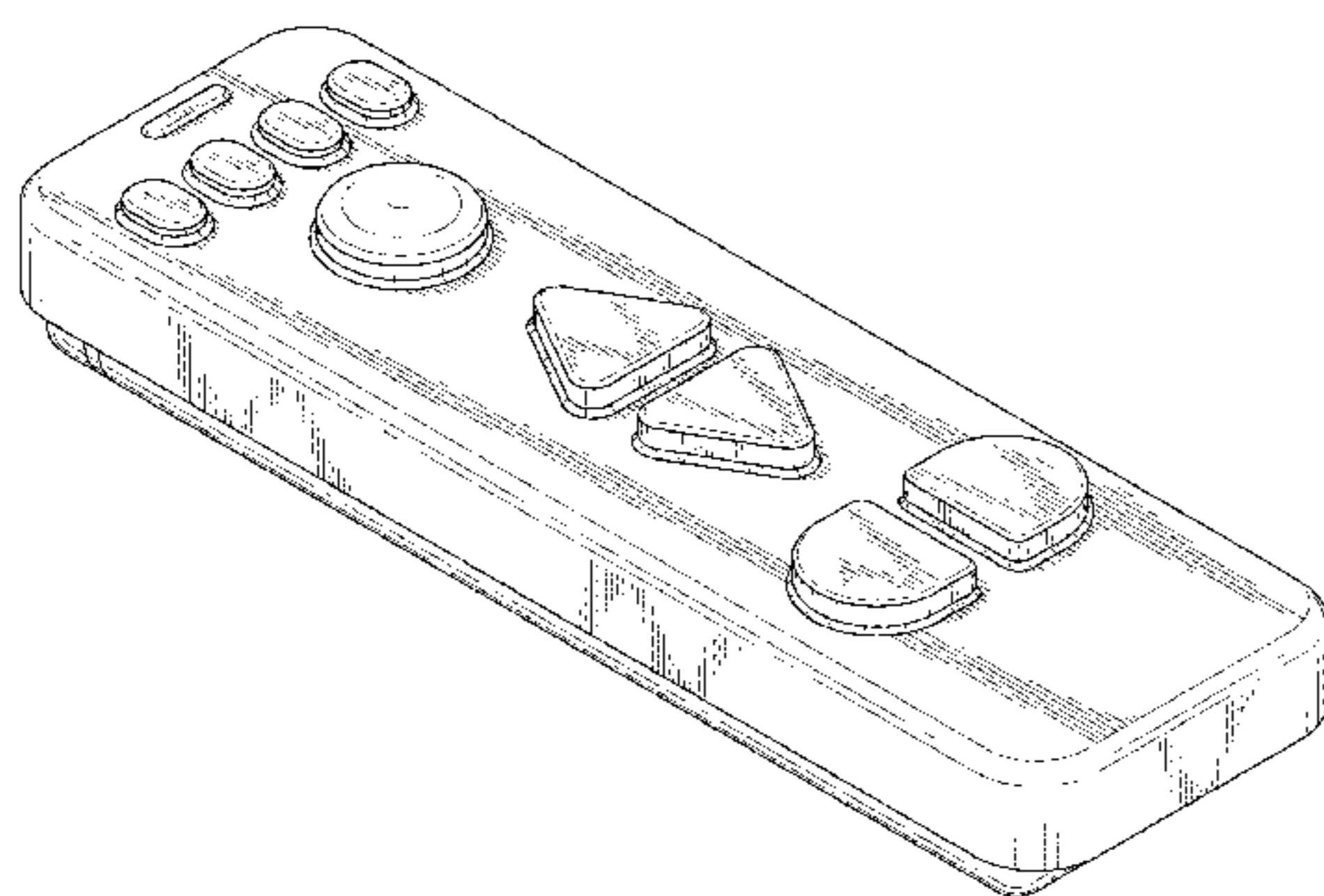


FIG. 1

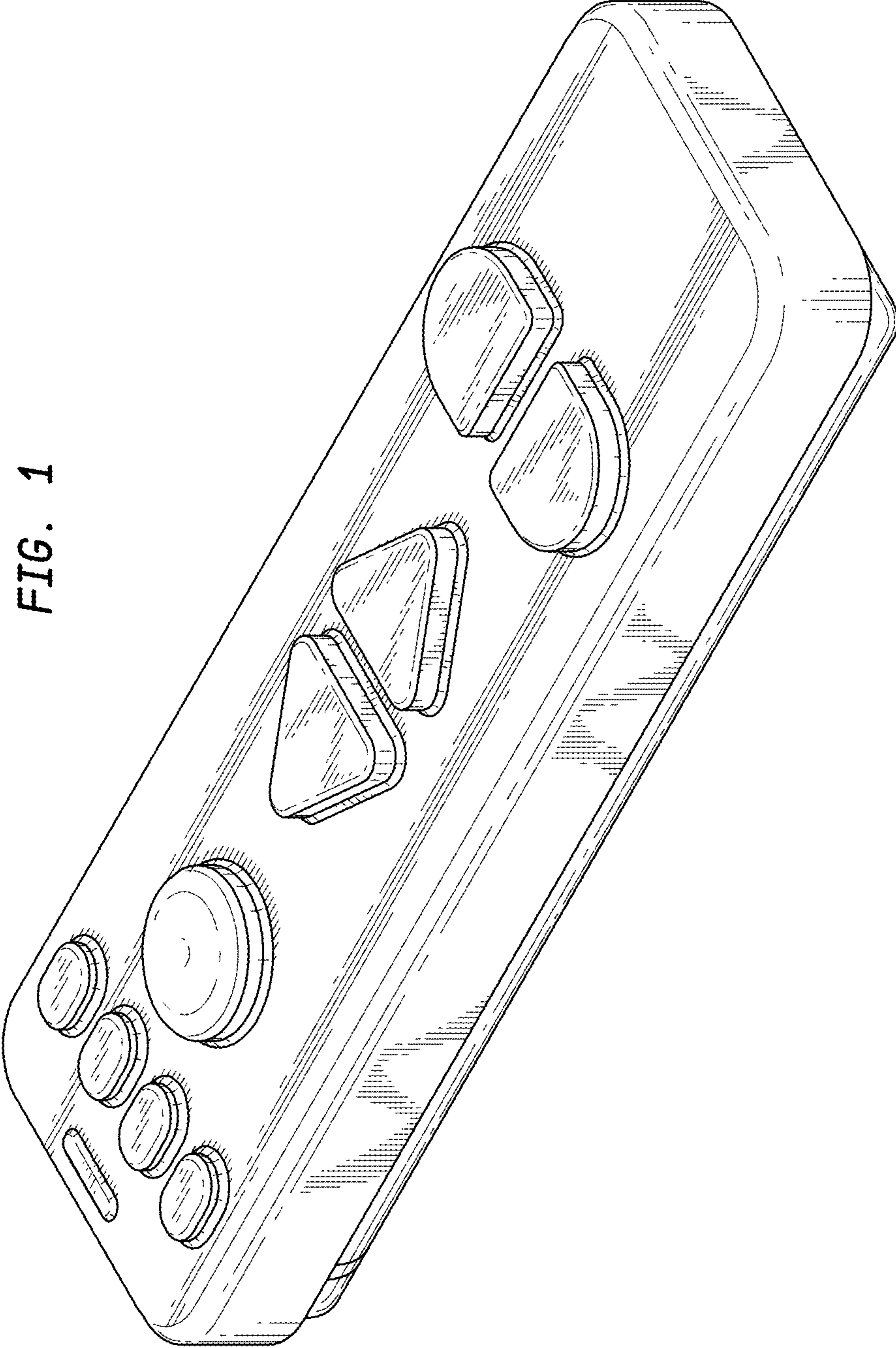


FIG. 2

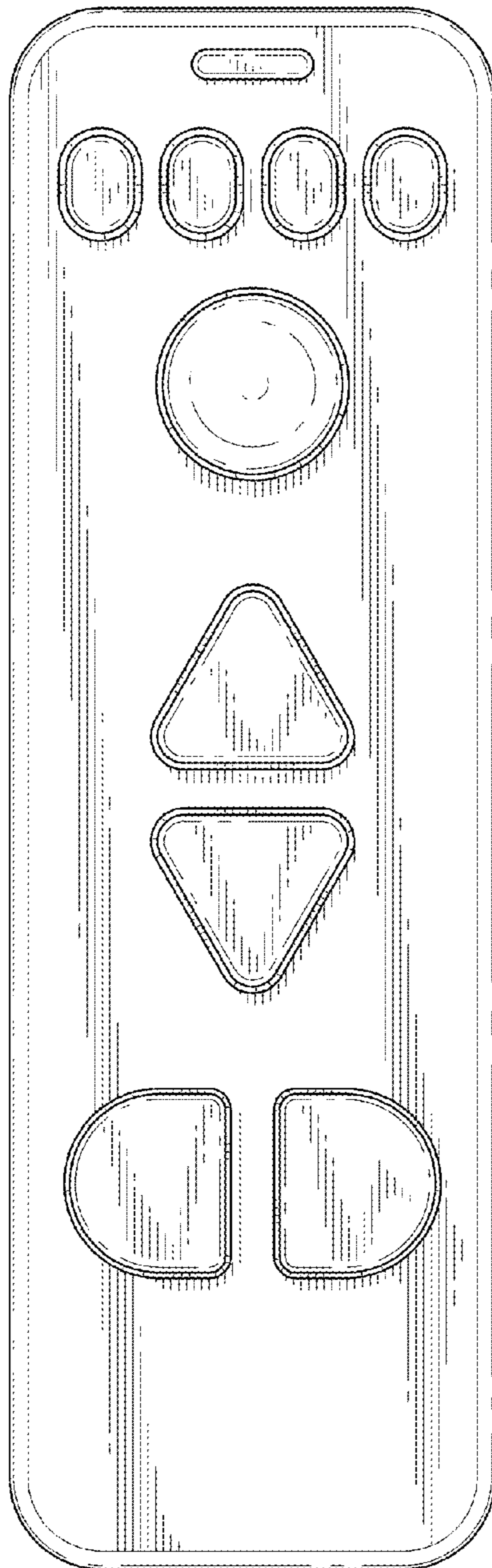


FIG. 3

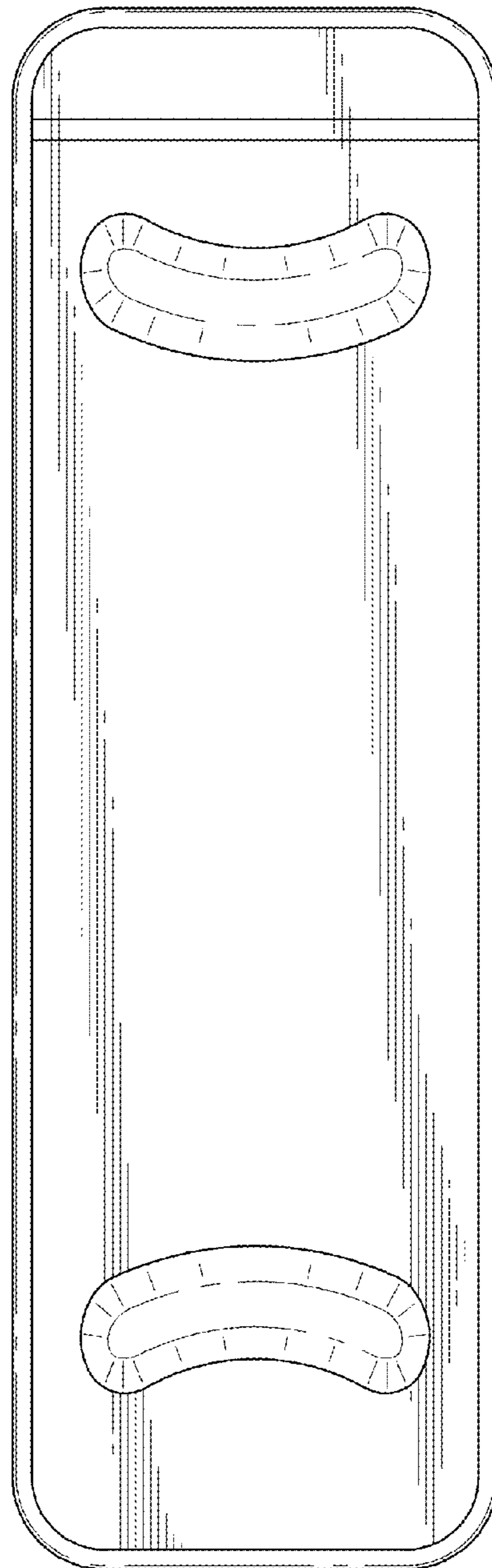


FIG. 4

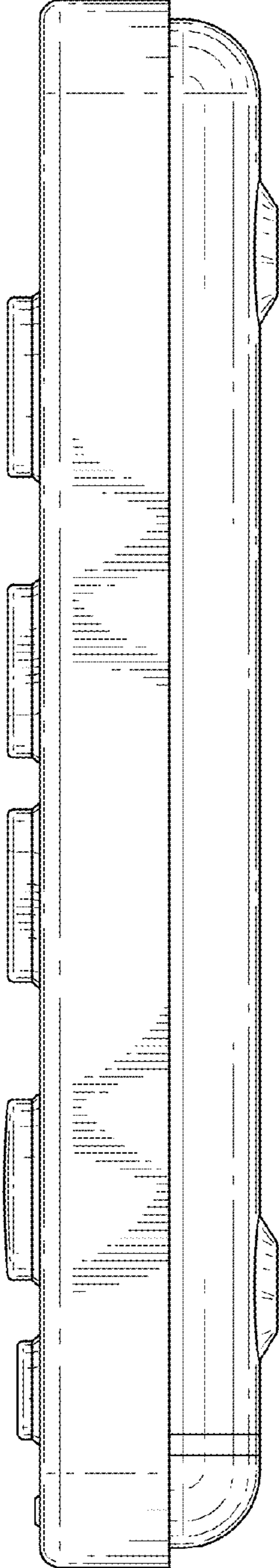


FIG. 5

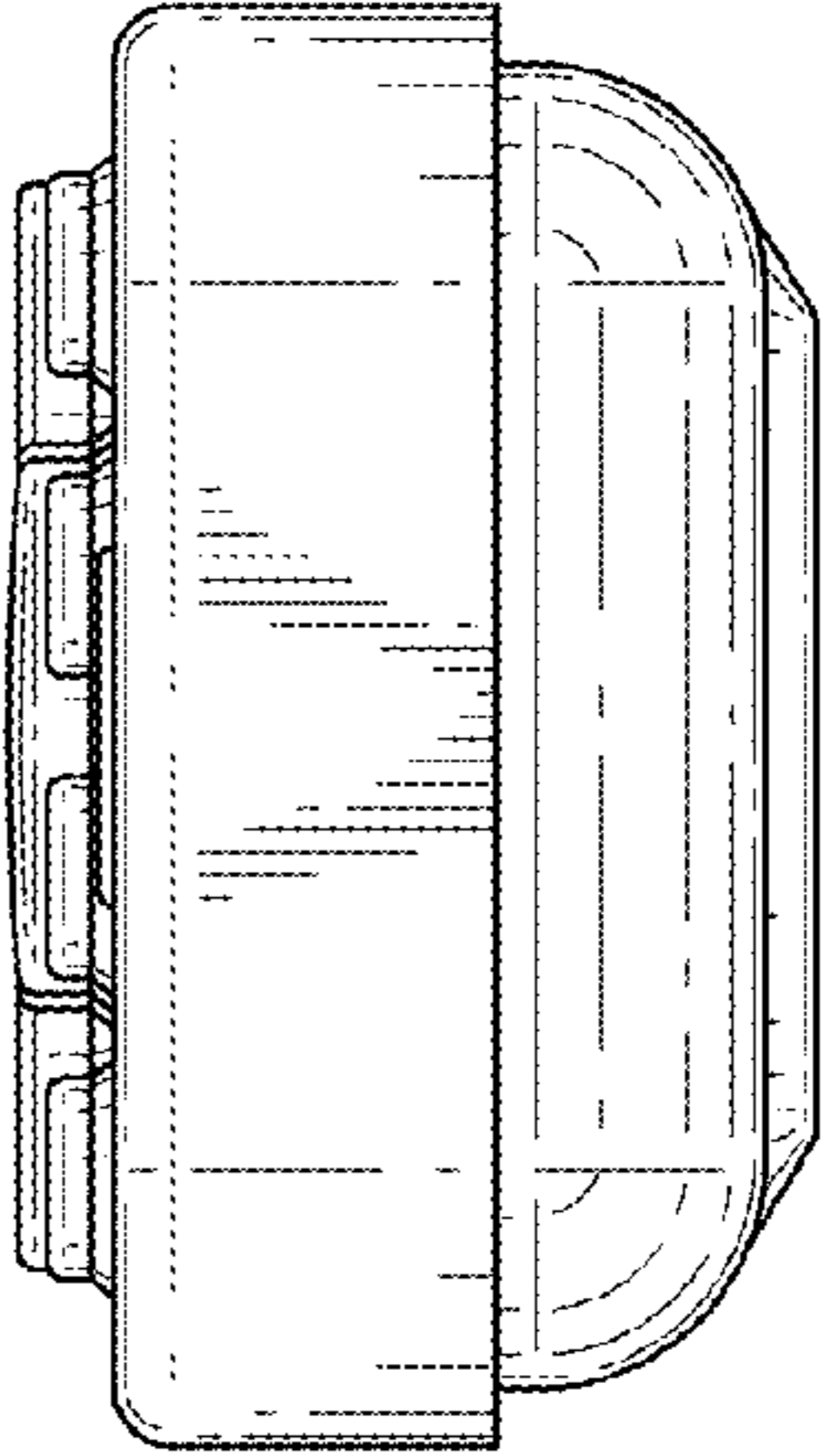


FIG. 6

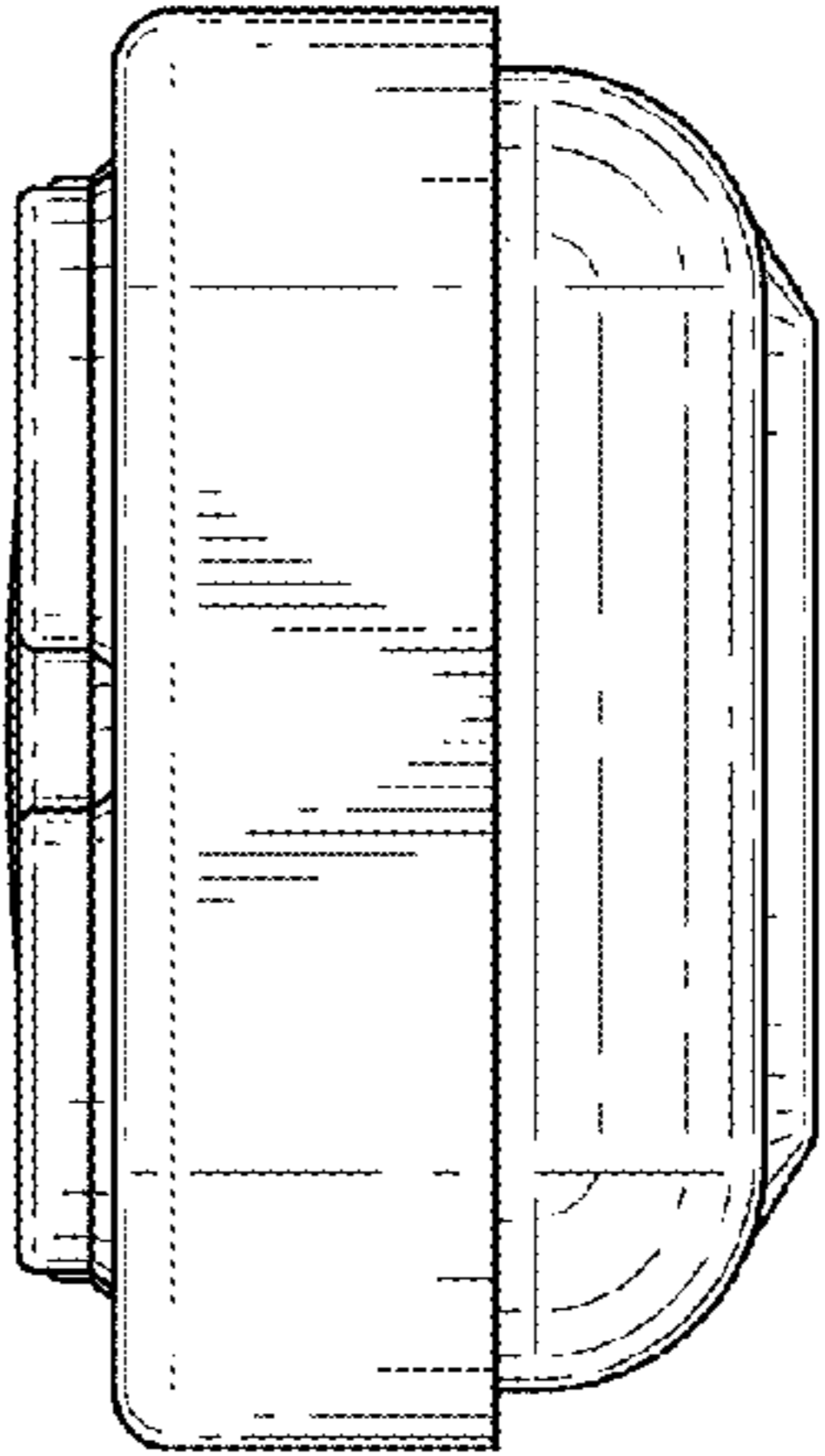


FIG. 7

