



US00D699222S

(12) **United States Design Patent**  
**Paslawski**

(10) **Patent No.:** **US D699,222 S**

(45) **Date of Patent:** **\*\* Feb. 11, 2014**

(54) **SPEAKER**

(75) Inventor: **Ray N. Paslawski**, Wildwood, MO (US)

(73) Assignee: **Positive Outcomes, Inc.**, Wildwood, MO (US)

(\*\*) Term: **14 Years**

(21) Appl. No.: **29/427,070**

(22) Filed: **Jul. 13, 2012**

(51) **LOC (10) Cl.** ..... **14-03**

(52) **U.S. Cl.**  
USPC ..... **D14/216**

(58) **Field of Classification Search**  
USPC ..... D14/172, 194, 196, 204, 207, 209.1,  
D14/210-217, 219-222, 224; 181/143, 144,  
181/147, 148, 150, 153, 157, 198, 199;  
381/300-303, 306, 332, 333, 336, 345,  
381/361-364, 386-388

See application file for complete search history.

(56) **References Cited**

**U.S. PATENT DOCUMENTS**

D602,911 S \* 10/2009 Wang et al. .... D14/216  
D607,876 S \* 1/2010 Huang ..... D14/216  
D610,572 S \* 2/2010 Skurdal ..... D14/216  
D610,573 S \* 2/2010 Joseph ..... D14/216

D620,480 S \* 7/2010 Garrett ..... D14/216  
D635,554 S \* 4/2011 Lee ..... D14/216  
D643,408 S \* 8/2011 Huang ..... D14/216  
D656,486 S \* 3/2012 Parraga Gimeno ..... D14/216

\* cited by examiner

*Primary Examiner* — Keli L Hill

(74) *Attorney, Agent, or Firm* — Polster, Lieder, Woodruff & Lucchesi, LC

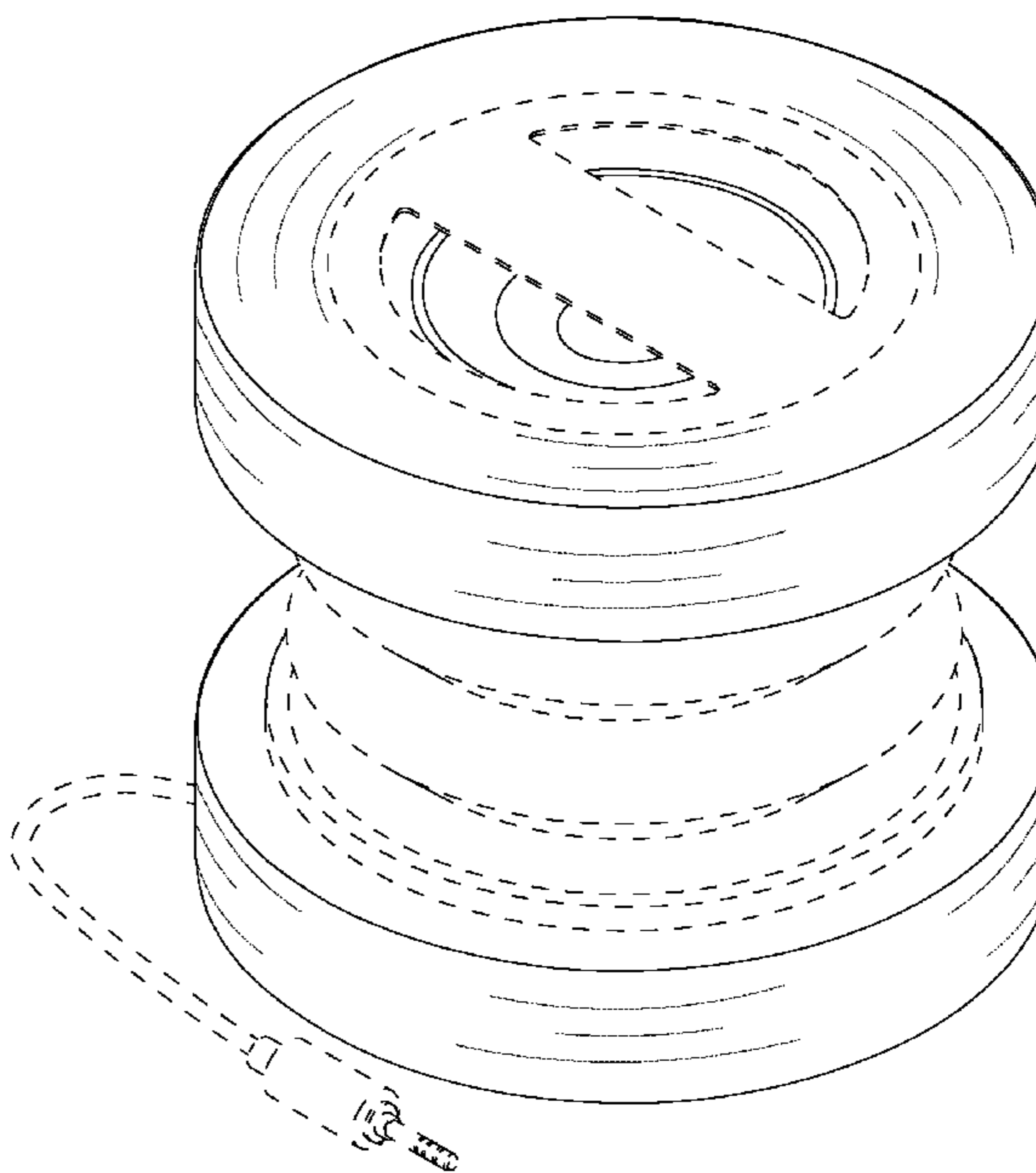
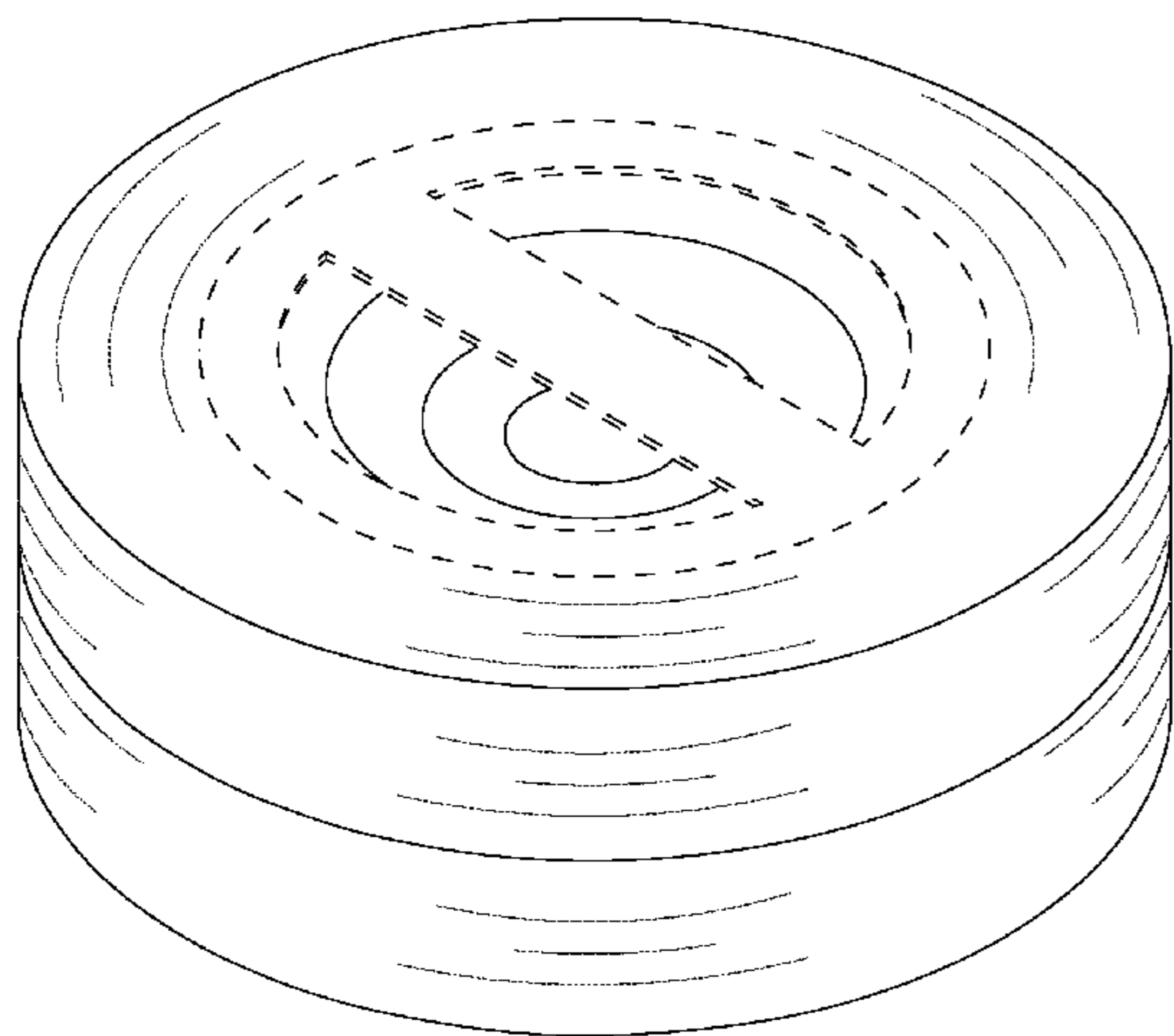
(57) **CLAIM**

The ornamental design for a speaker, as shown and described.

**DESCRIPTION**

FIG. 1 is a perspective view of a speaker according to an embodiment of the present invention;  
FIG. 2 is a top view of a speaker according to an embodiment of the present invention;  
FIG. 3 is a bottom view of a speaker according to an embodiment of the present invention;  
FIG. 4 is a front view of a speaker according to an embodiment of the present invention;  
FIG. 5 is a side view of a speaker according to an embodiment of the present invention;  
FIG. 6 is a perspective view of a speaker according to an embodiment of the present invention in an expanded state;  
FIG. 7 is a front view of a speaker according to an embodiment of the present invention in an expanded state; and,  
FIG. 8 is a side view of a speaker according to an embodiment of the present invention in an expanded state.

**1 Claim, 8 Drawing Sheets**



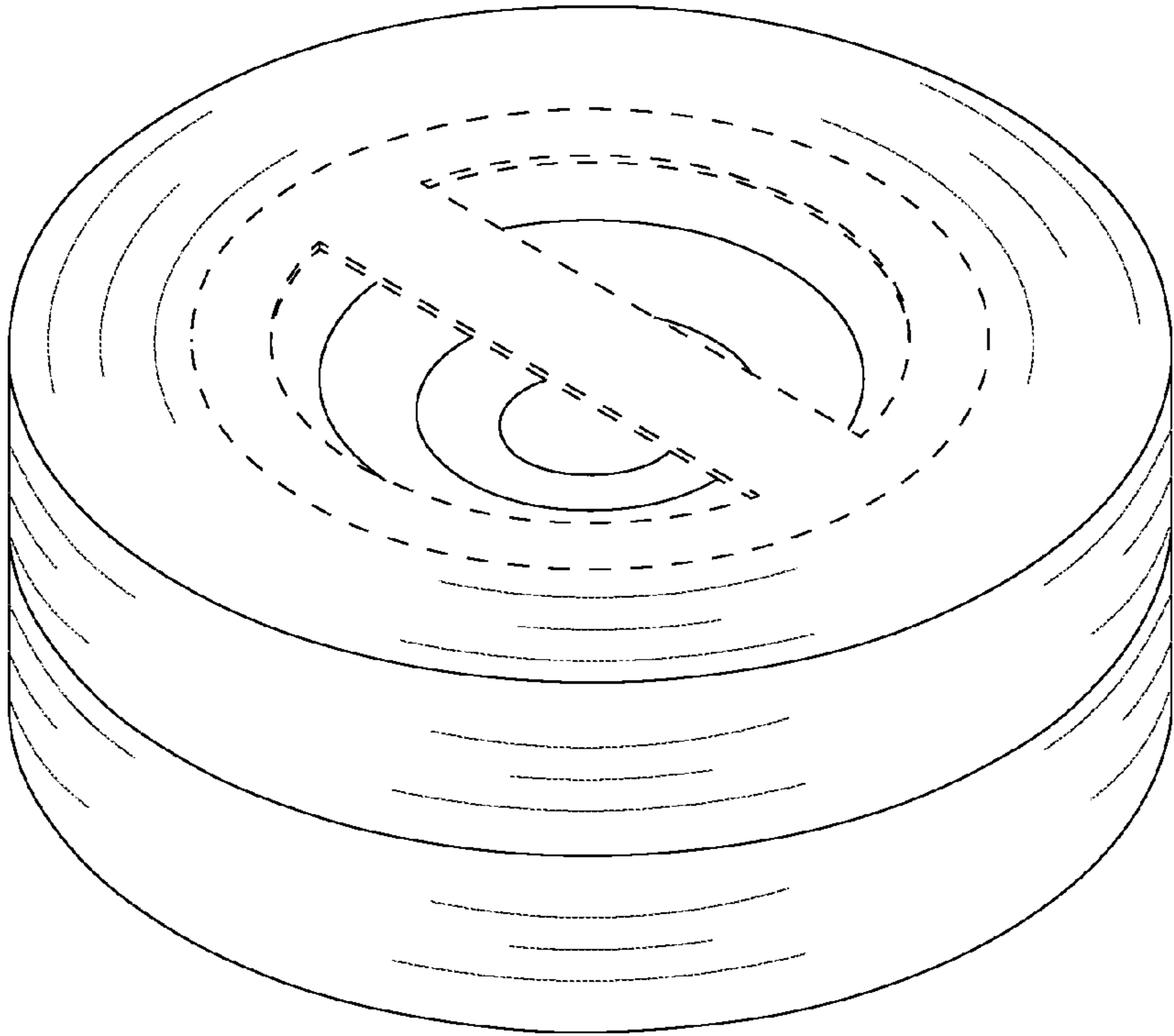


Fig. 1

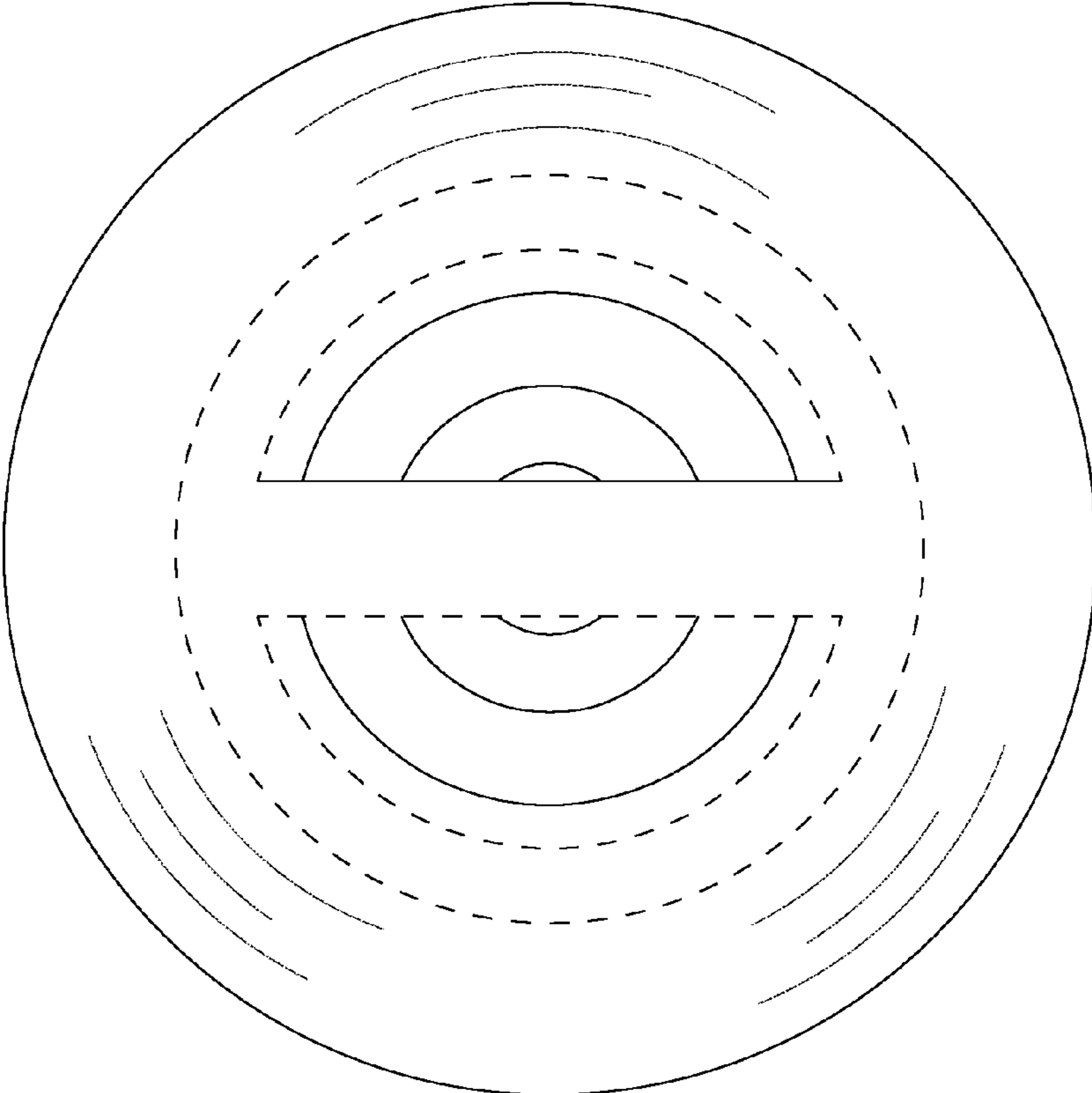


Fig. 2

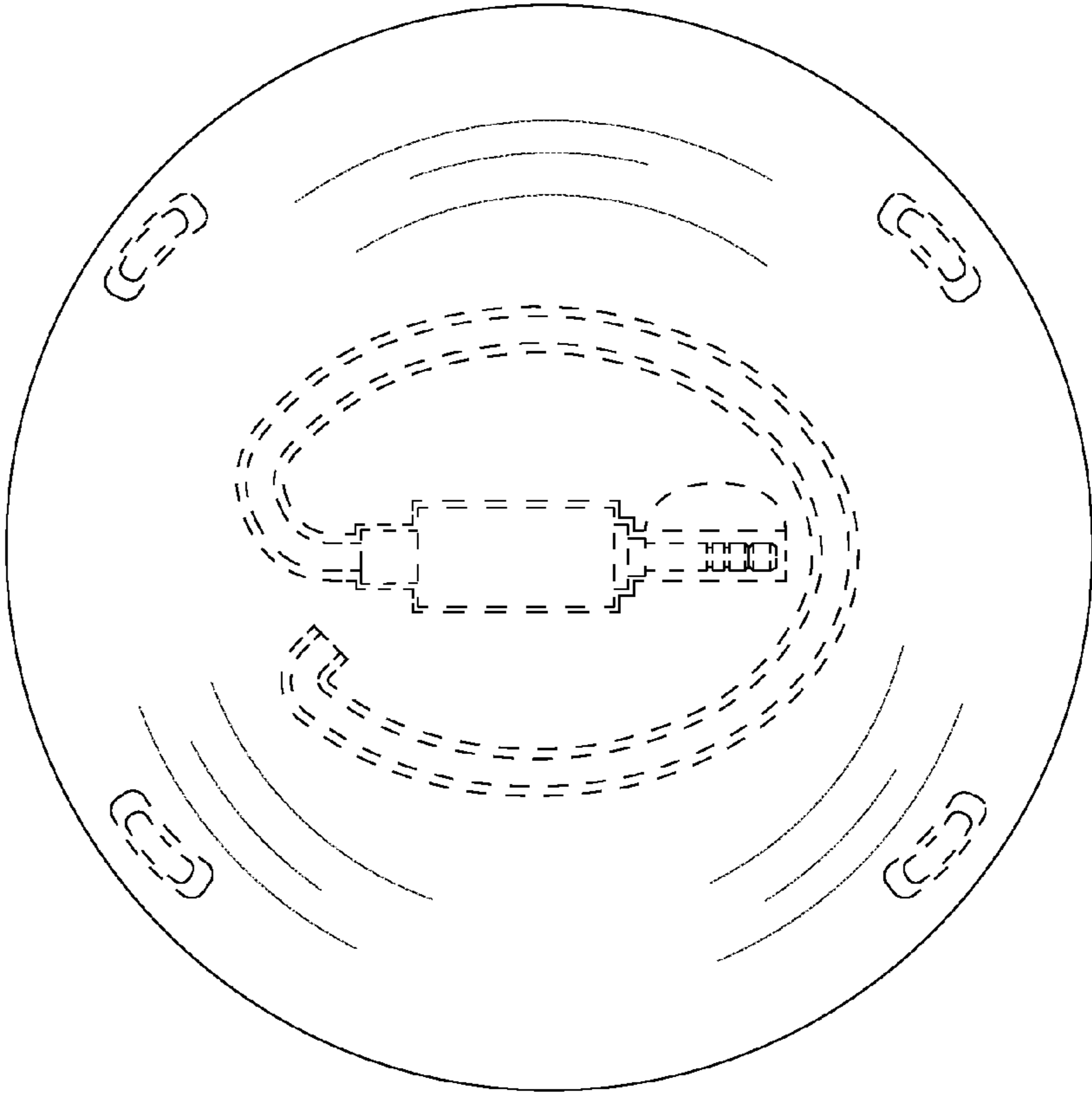


Fig. 3

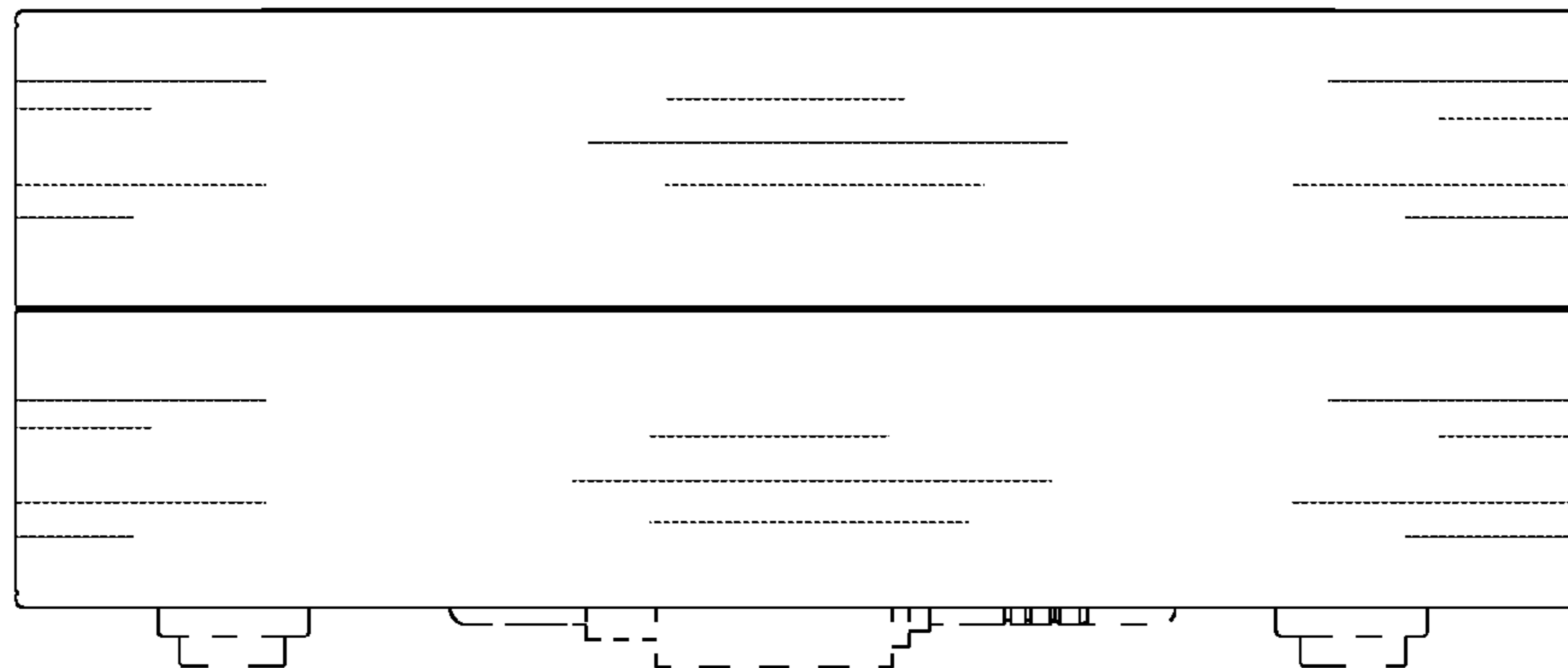


Fig. 4

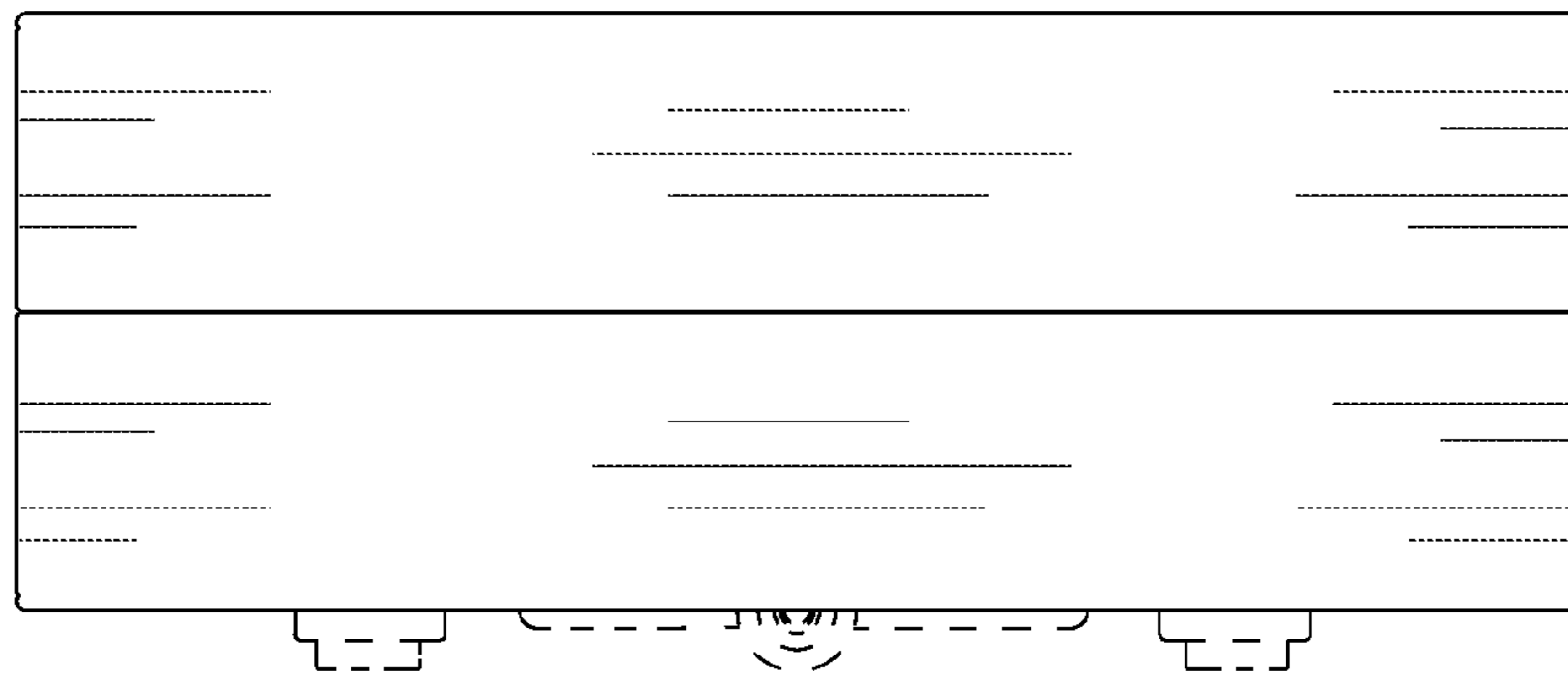


Fig. 5

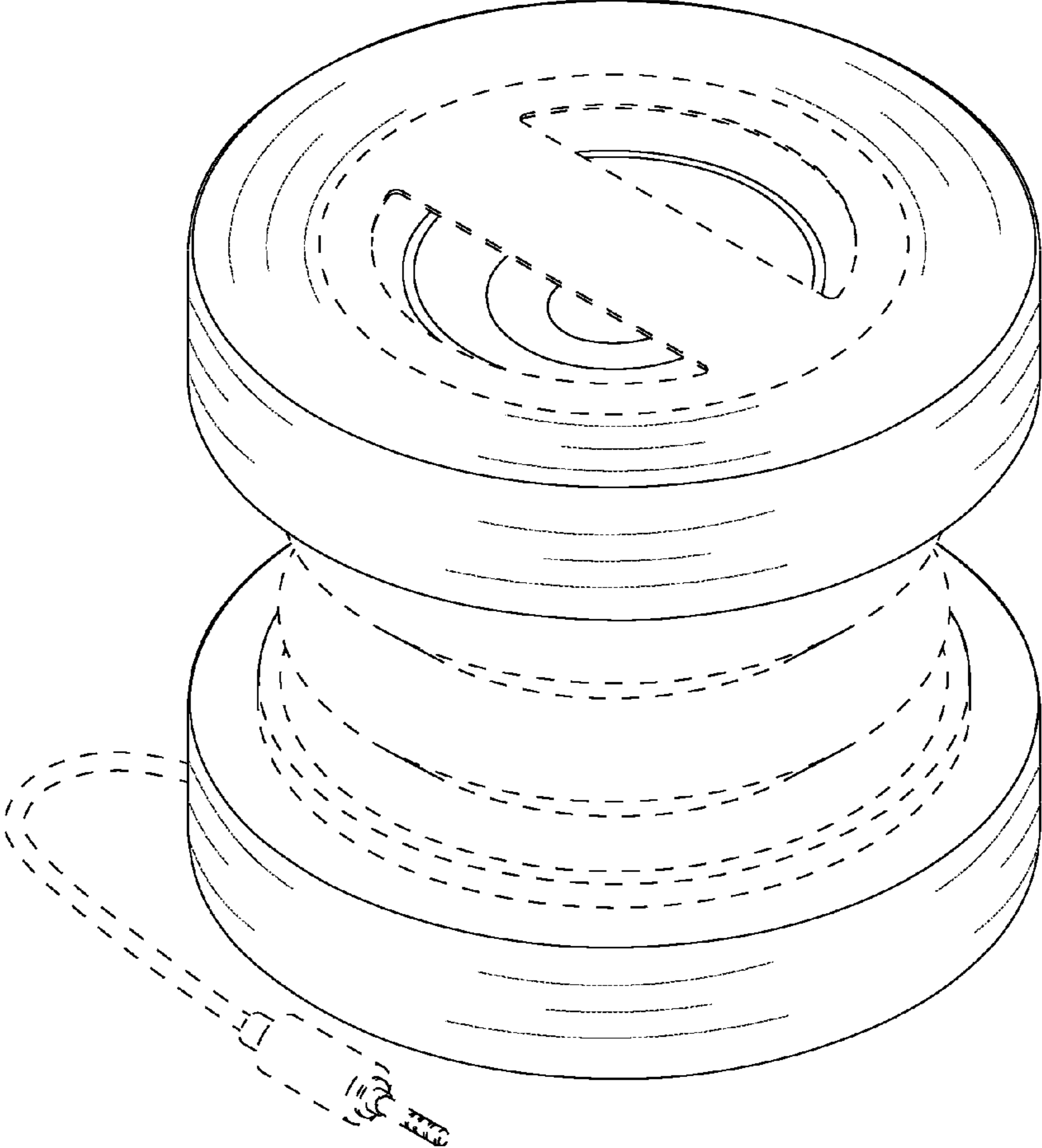


Fig. 6

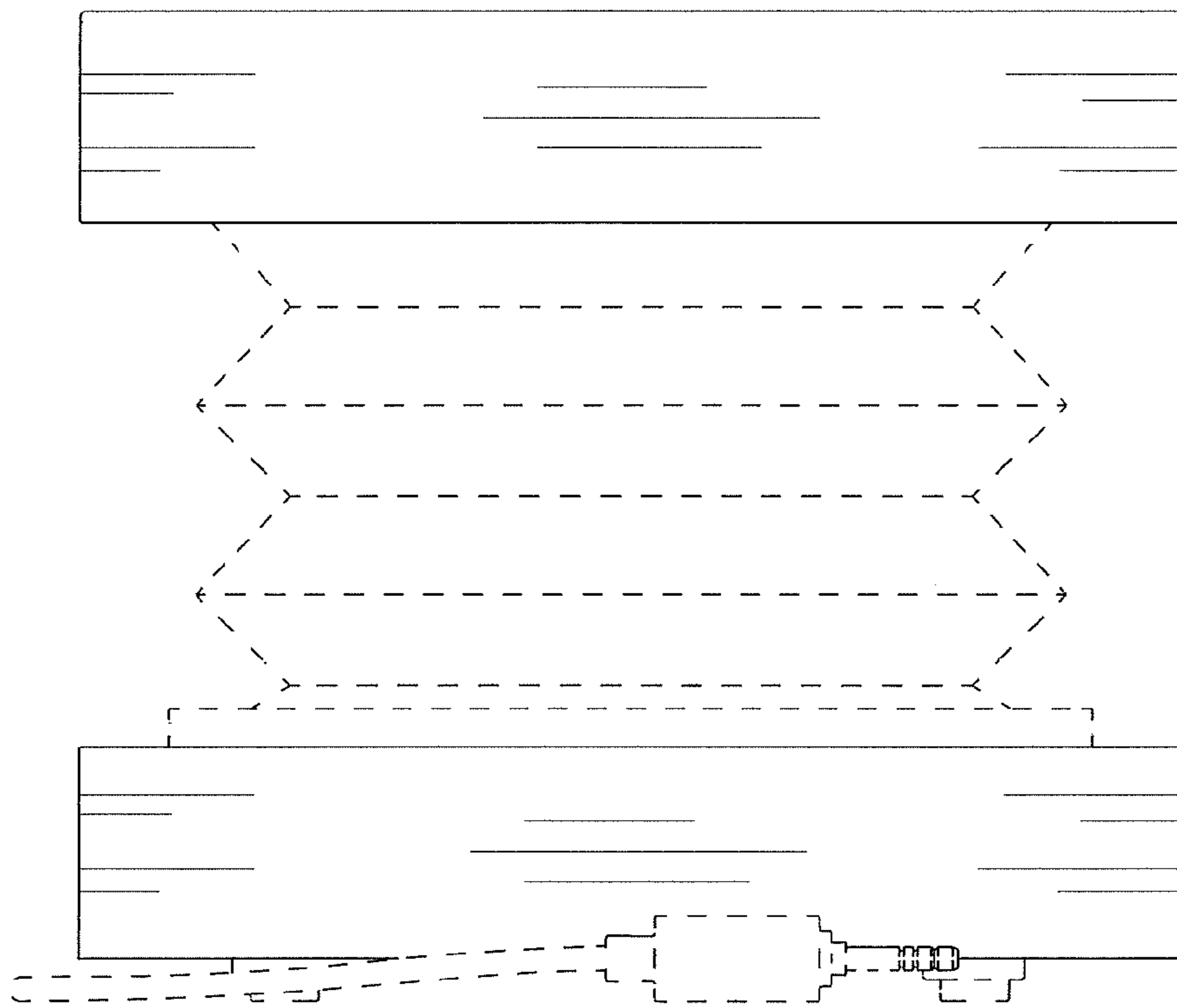


Fig. 7



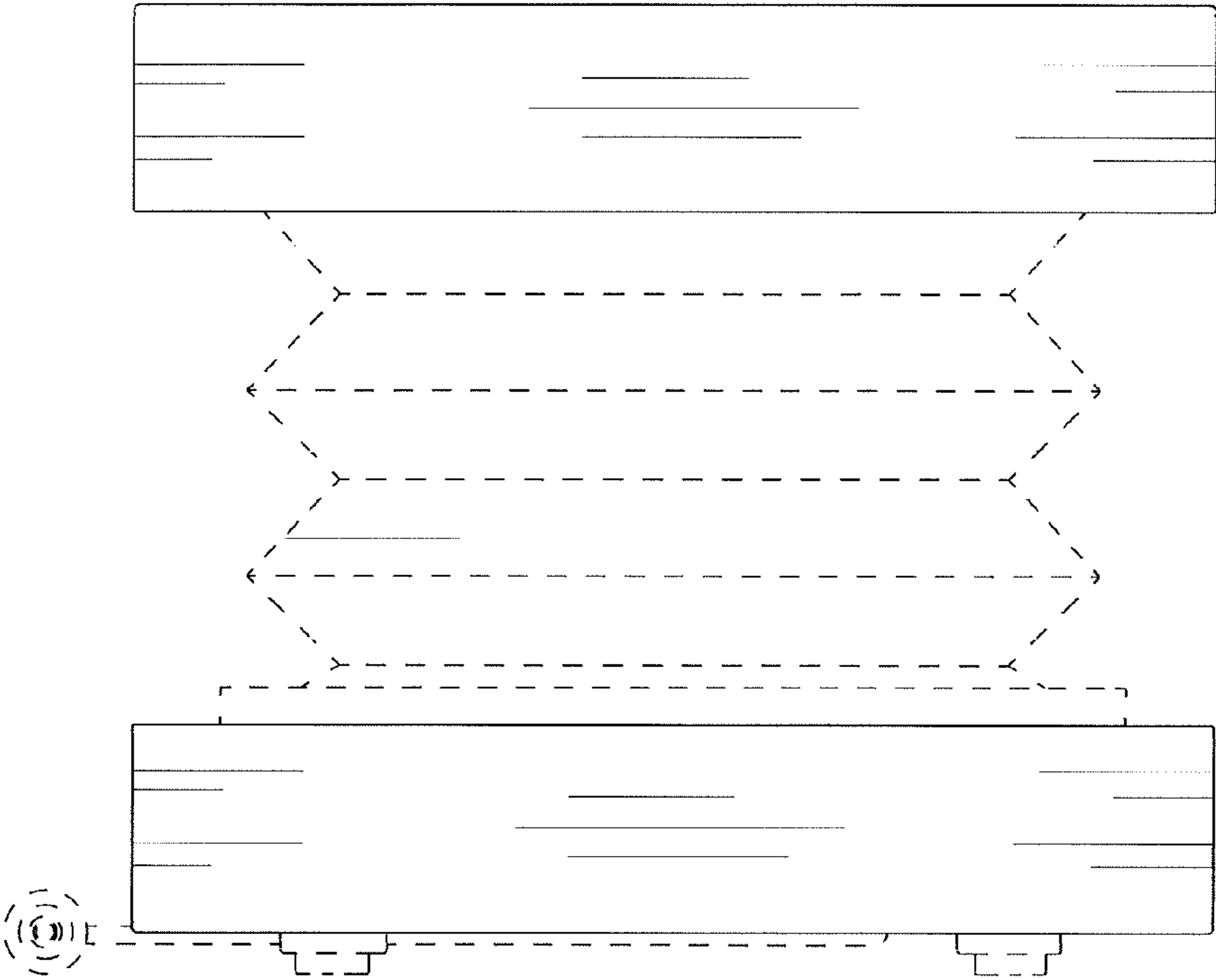


Fig. 8