



US00D699221S

(12) **United States Design Patent**
Miyawaki

(10) **Patent No.:** **US D699,221 S**

(45) **Date of Patent:** **** Feb. 11, 2014**

(54) **IN-VEHICLE SPEAKER GRILL**

(75) Inventor: **Masayuki Miyawaki**, Chigasaki (JP)

(73) Assignee: **Clarion Co., Ltd.**, Saitama (JP)

(**) Term: **14 Years**

(21) Appl. No.: **29/405,237**

(22) Filed: **Oct. 31, 2011**

(30) **Foreign Application Priority Data**

Jul. 29, 2011 (JP) 2011-017484

(51) **LOC (10) Cl.** **14-03**

(52) **U.S. Cl.**
USPC **D14/216**

(58) **Field of Classification Search**
USPC D14/172, 194, 196, 204, 207, 209.1,
D14/210-217, 219-222, 224; 181/143, 144,
181/147, 148, 150, 153, 157, 198, 199;
381/300-303, 306, 332, 333, 336, 345,
381/361-364, 386-388

See application file for complete search history.

(56) **References Cited**

U.S. PATENT DOCUMENTS

D282,540 S * 2/1986 Clason D14/214
D525,236 S * 7/2006 Hibi D14/221
D563,390 S * 3/2008 Vafiadis et al. D14/215
D563,947 S * 3/2008 Uehara D14/216

D589,030 S * 3/2009 Yokoyama D14/216
D590,373 S * 4/2009 Brickstad D14/215
D591,725 S * 5/2009 Komiyama D14/215
D629,389 S * 12/2010 Kitayama D14/215
D635,553 S * 4/2011 Yagihashi et al. D14/216
D648,319 S * 11/2011 Chen D14/211
D672,337 S * 12/2012 Matsumura D14/219
D678,867 S * 3/2013 Matsumura D14/216
D680,100 S * 4/2013 Matsumura D14/216

* cited by examiner

Primary Examiner — Keli L Hill

(74) *Attorney, Agent, or Firm* — McDermott Will & Emery, LLP

(57) **CLAIM**

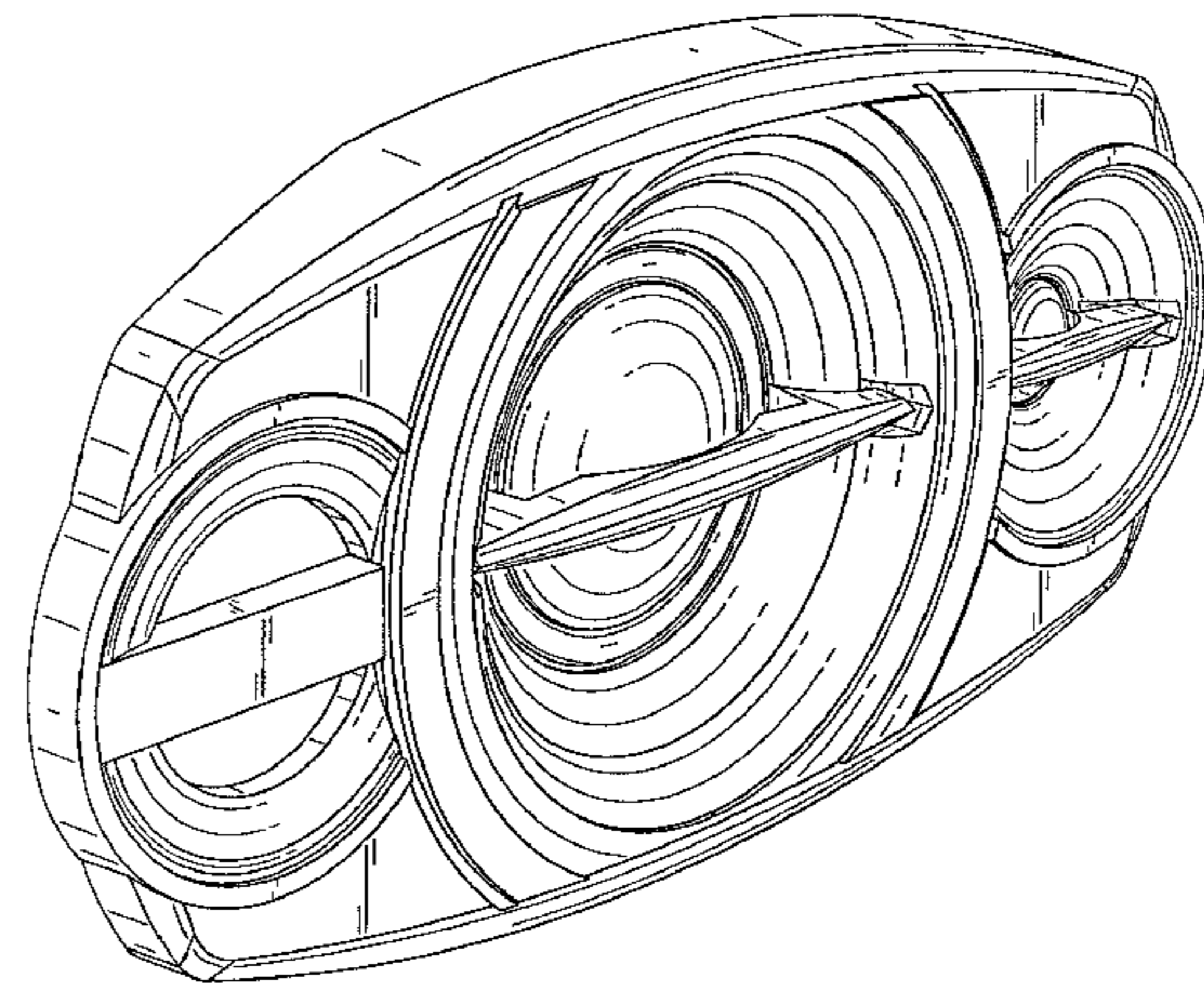
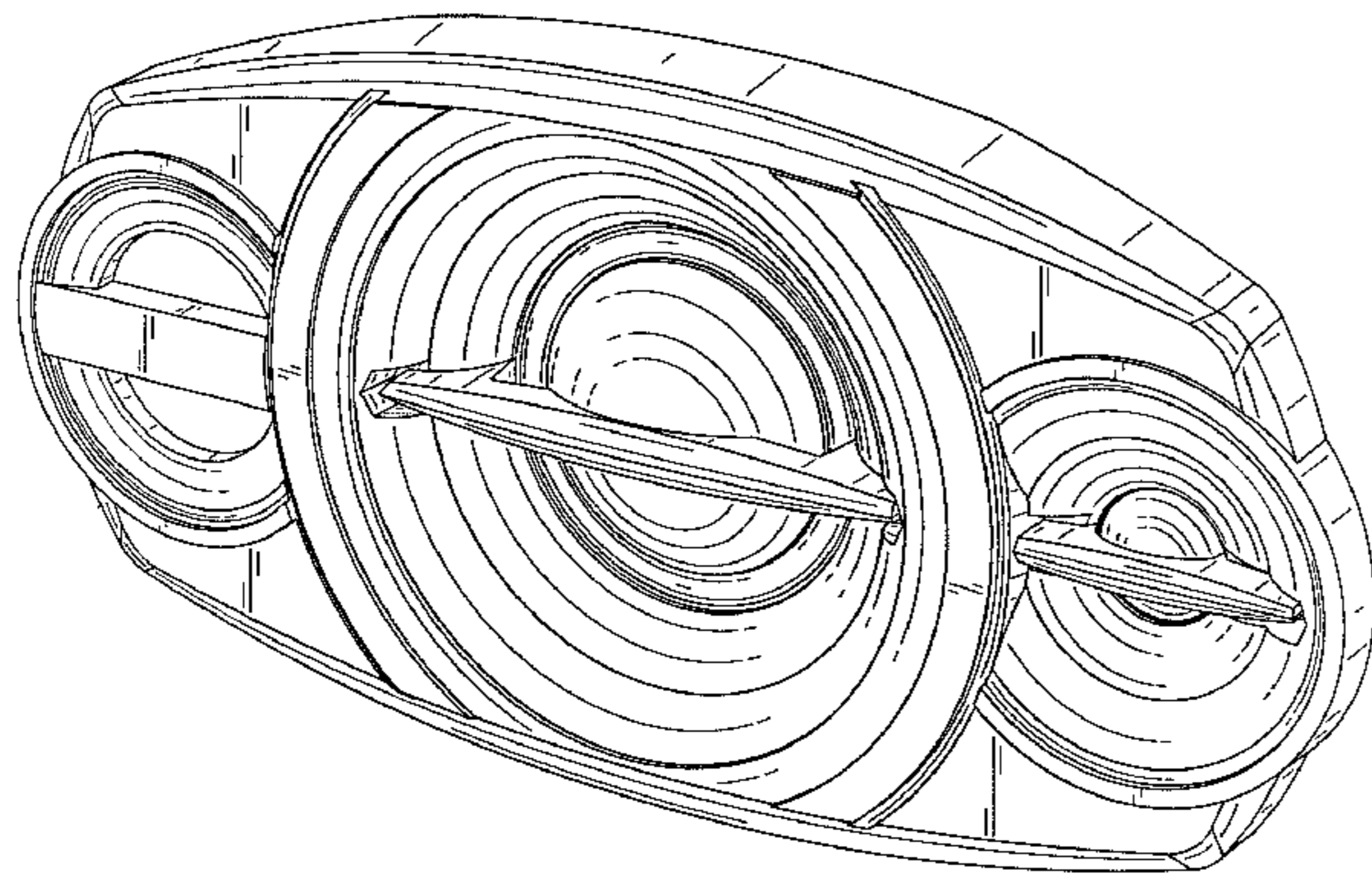
The ornamental design for an in-vehicle speaker grill, as shown and described.

DESCRIPTION

FIG. 1 is a right perspective view of an in-vehicle speaker; FIG. 2 is a left perspective view thereof; FIG. 3 is a front view thereof; FIG. 4 is a rear view thereof; FIG. 5 is a left side view thereof; FIG. 6 is a right side view thereof; FIG. 7 is a top view thereof; FIG. 8 is a bottom view thereof; and, FIG. 9 is an alternate right perspective view thereof, shown in an environment of use.

The broken lines in the drawings illustrate environmental subject matter only and form no part of the claimed design.

1 Claim, 7 Drawing Sheets



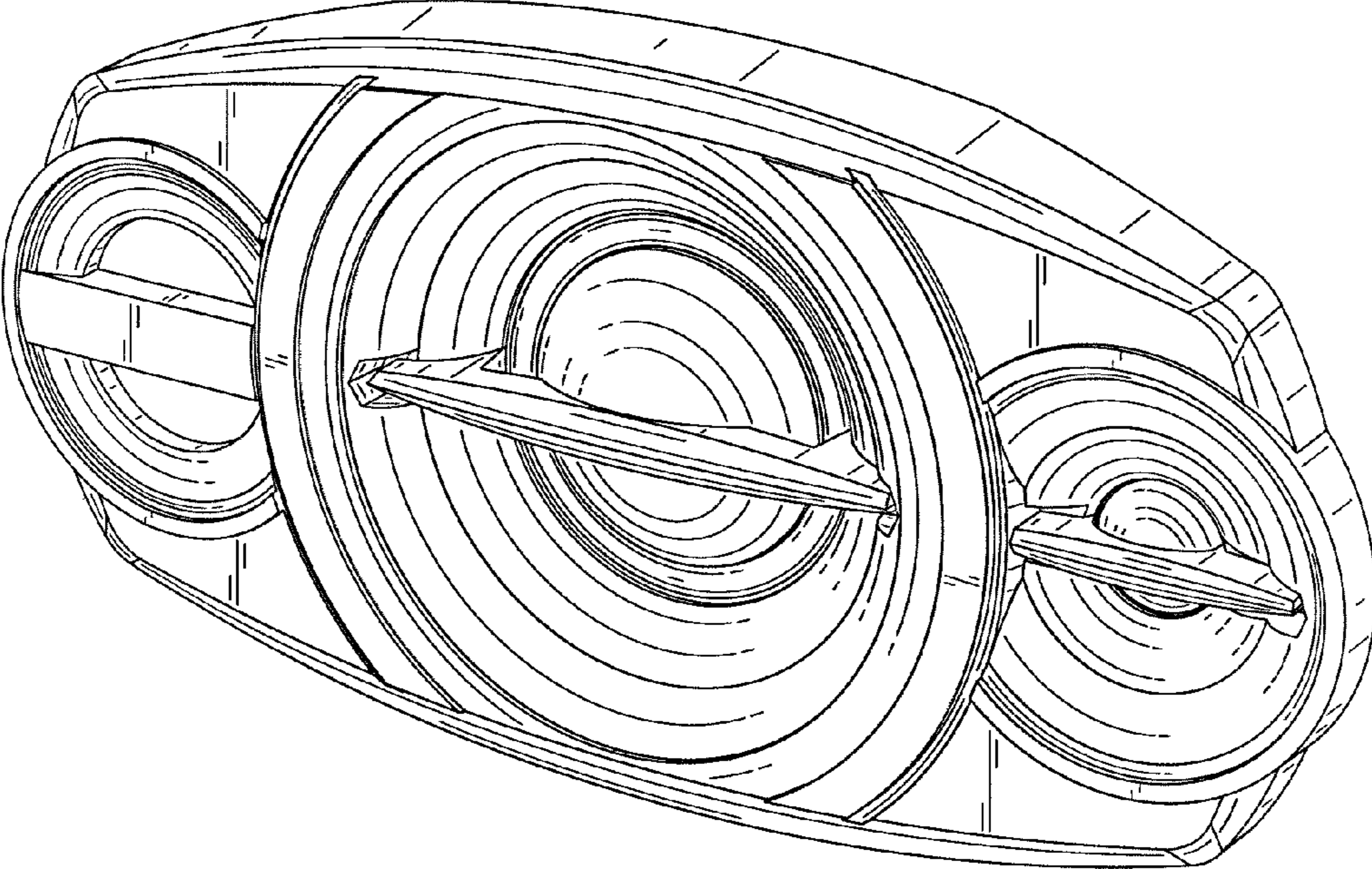


FIG. 1

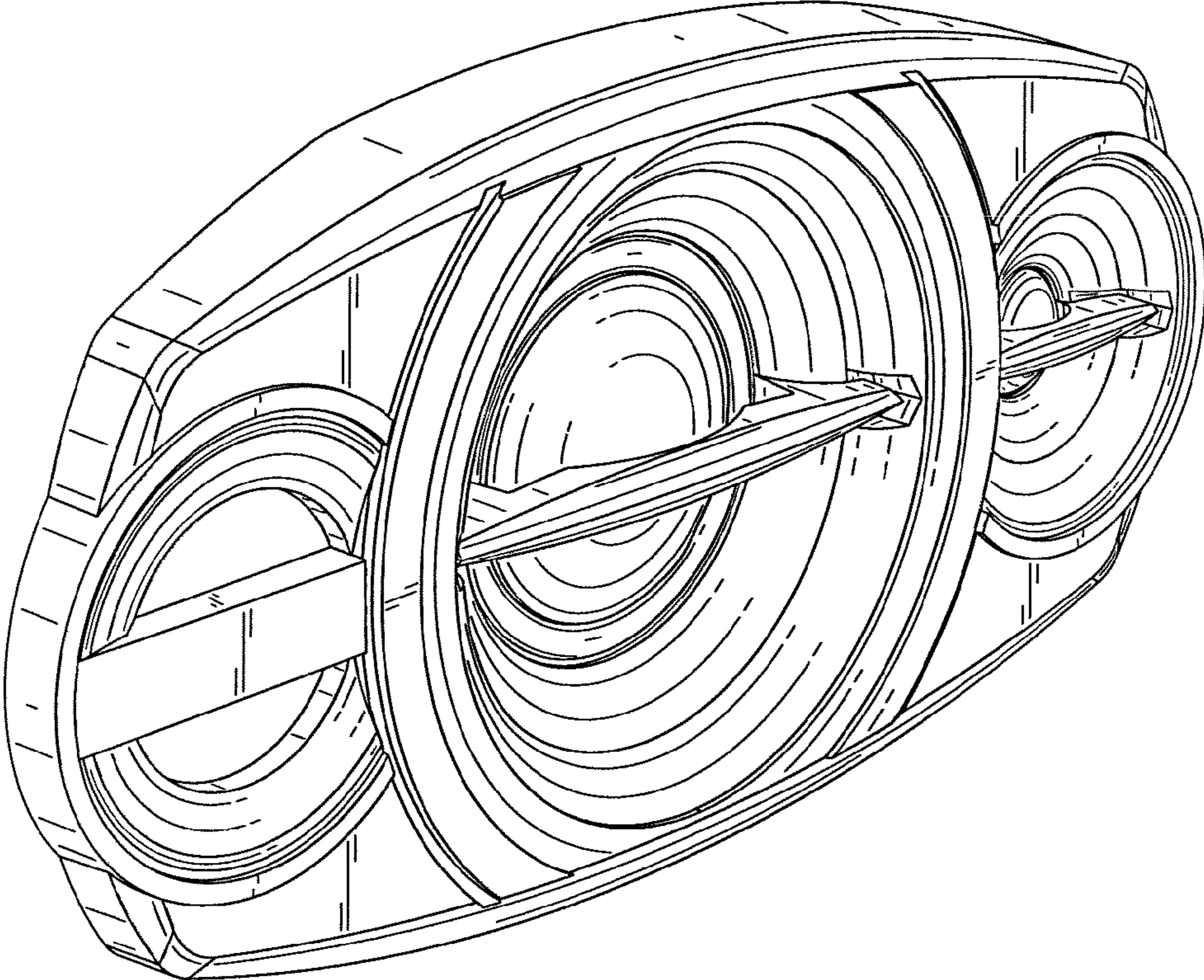


FIG. 2

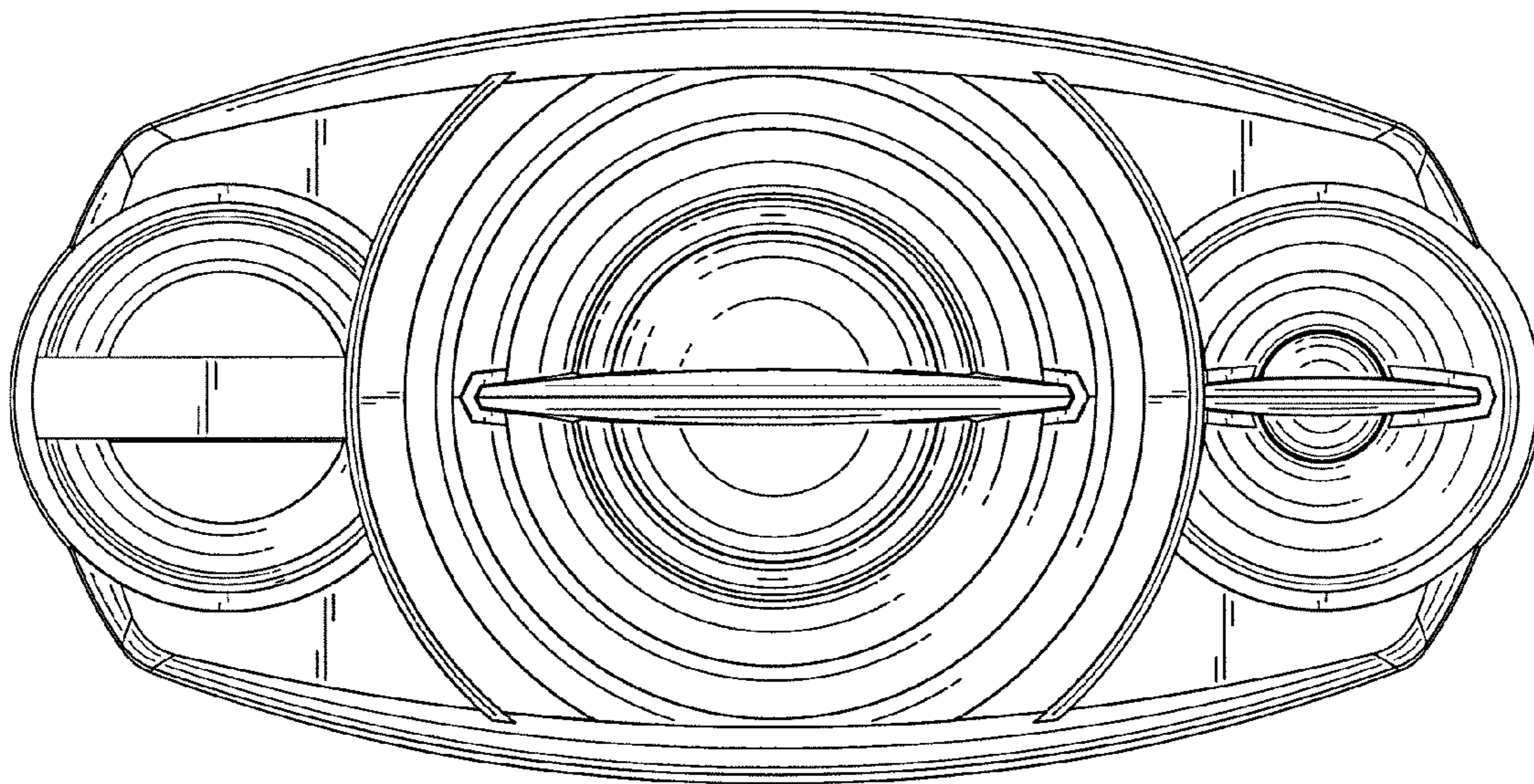


FIG. 3

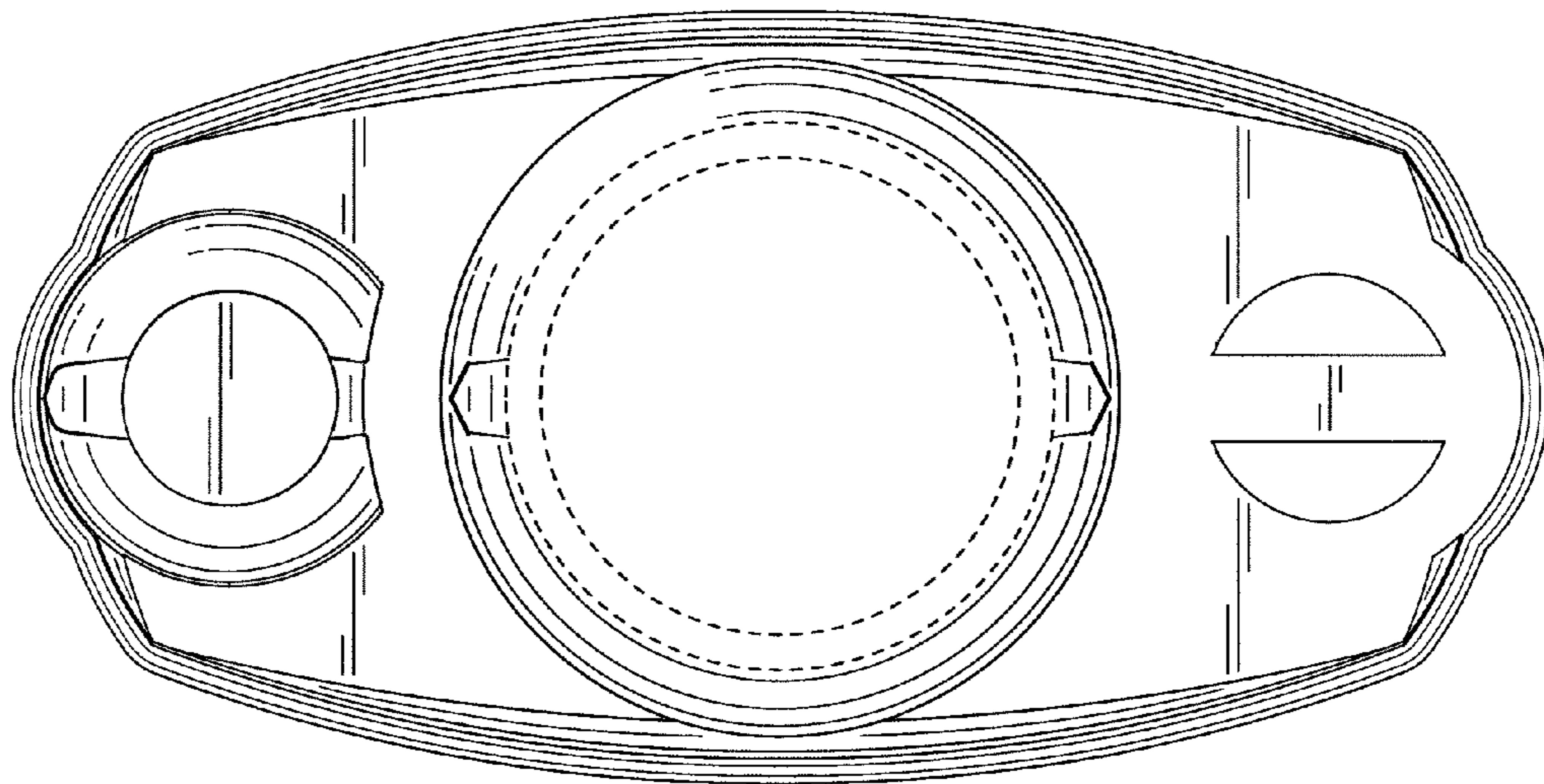


FIG. 4

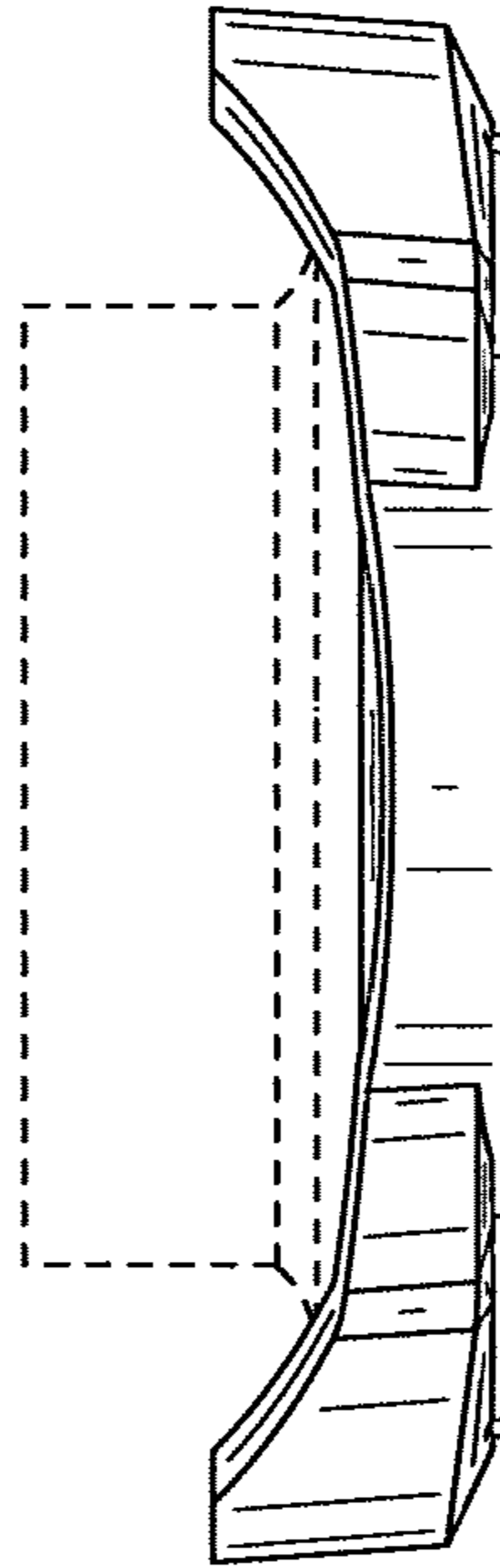


FIG. 5

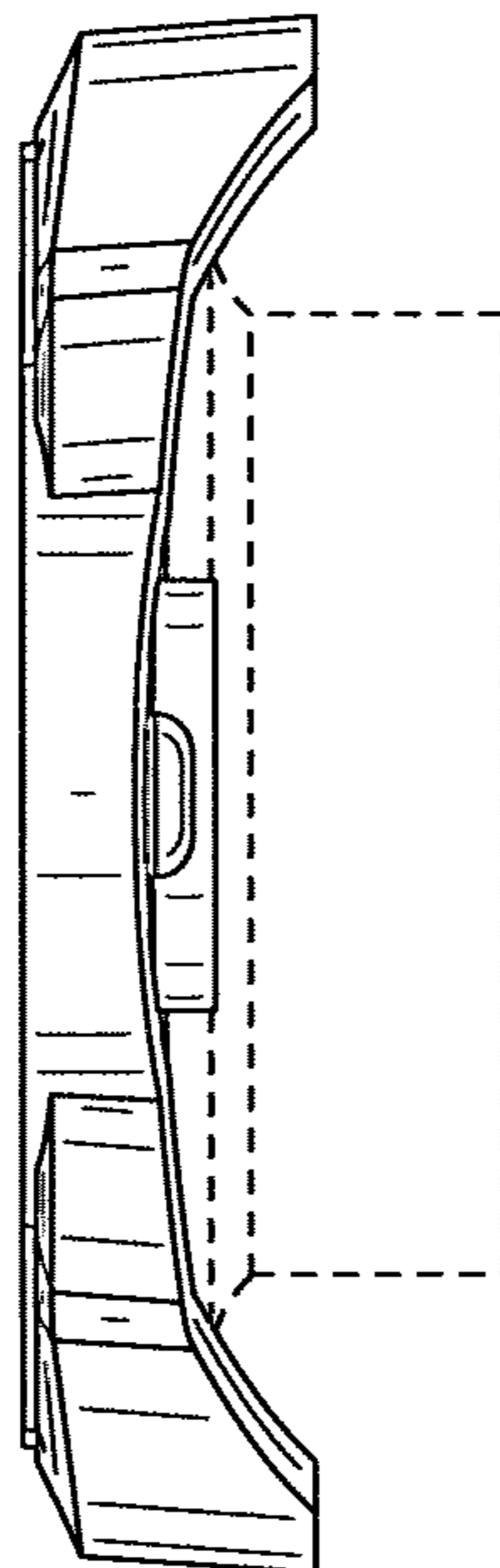


FIG. 6

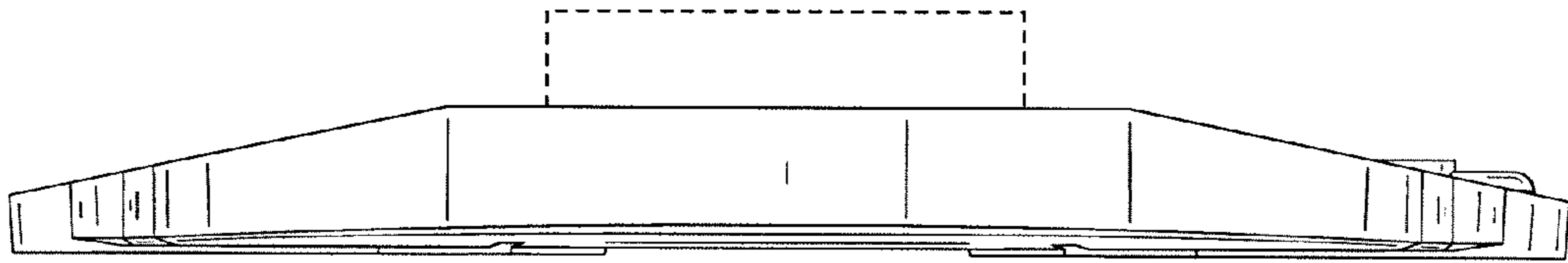


FIG. 7

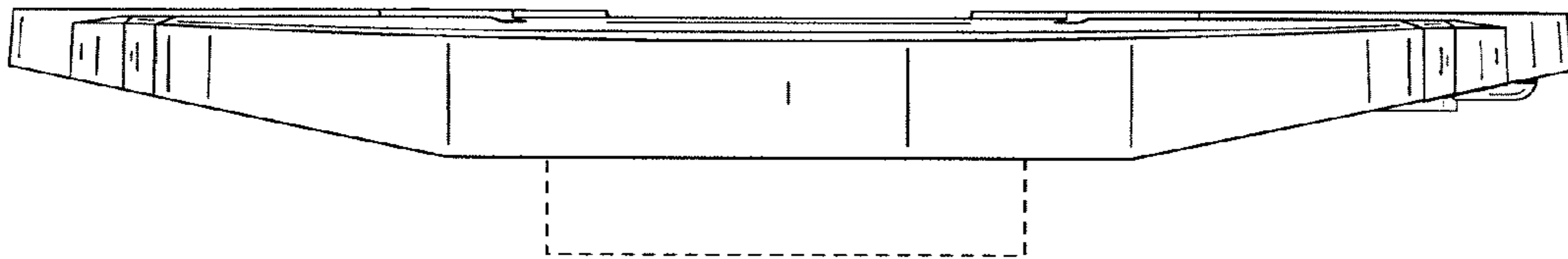


FIG. 8

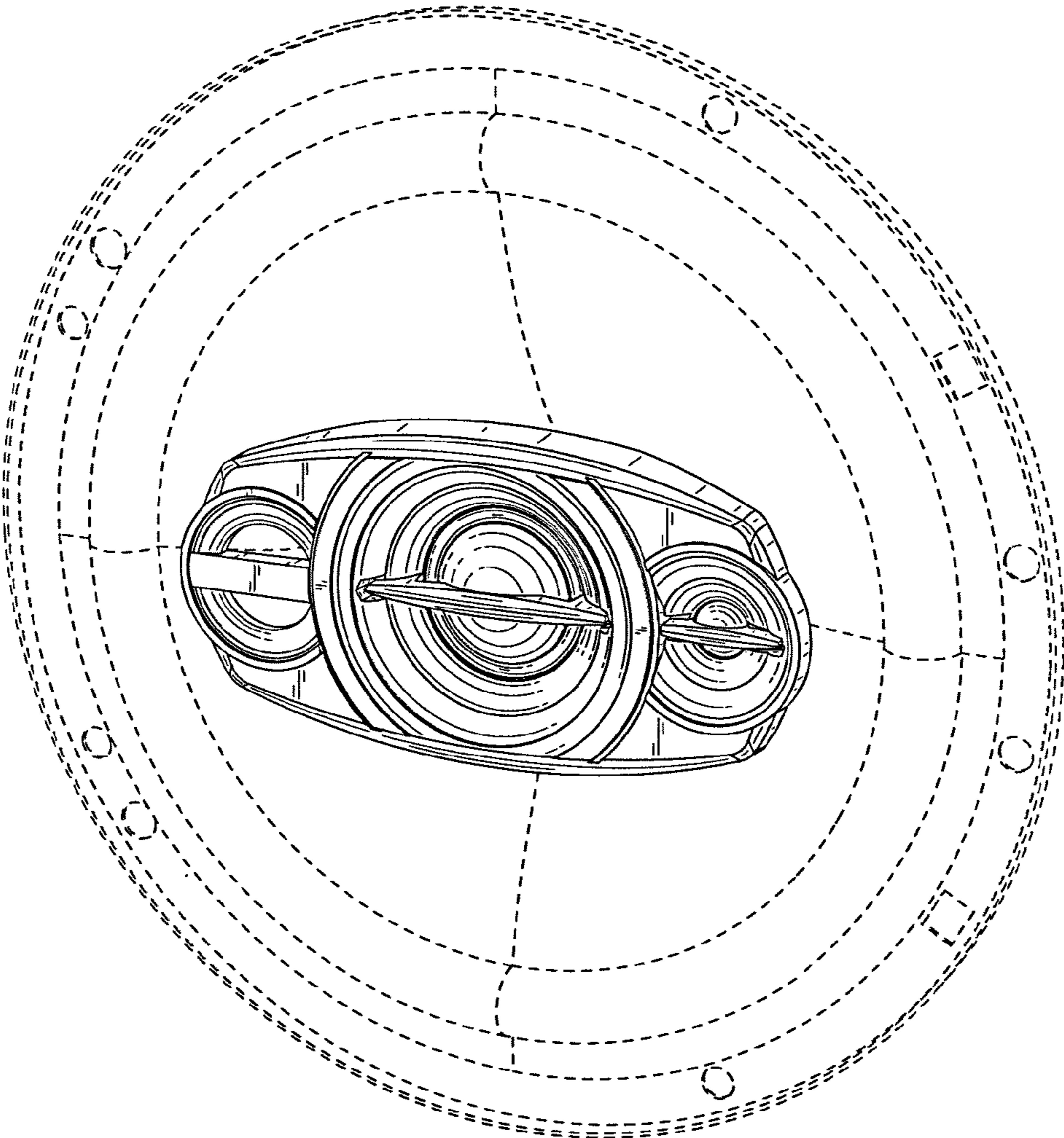


FIG. 9