



US00D699220S

(12) **United States Design Patent**
Lee

(10) **Patent No.:** **US D699,220 S**
(45) **Date of Patent:** **** Feb. 11, 2014**

(54) **SPEAKER WITH EXTENDABLE TOP**

(75) Inventor: **Tze-Yen Lee**, Singapore (SG)

(73) Assignee: **XMI Pte Ltd**, Singapore (SG)

(**) Term: **14 Years**

(21) Appl. No.: **29/397,013**

(22) Filed: **Jul. 11, 2011**

(30) **Foreign Application Priority Data**

Jan. 14, 2011 (SG) D2011/51/D

(51) **LOC (10) Cl.** **14-03**

(52) **U.S. Cl.**
USPC **D14/216**

(58) **Field of Classification Search**
USPC D14/168, 172, 194–196, 204, 207,
D14/209.1, 210–216, 221, 222; 181/143,
181/144, 147, 150, 153, 157, 198, 199;
381/300–303, 306, 332, 333, 336, 345,
381/361–364, 386–389

See application file for complete search history.

(56) **References Cited**

U.S. PATENT DOCUMENTS

D241,161 S * 8/1976 Tomioka D14/199
D315,562 S * 3/1991 Brown D14/213
D342,738 S * 12/1993 Hwang D14/213
D530,310 S * 10/2006 Tsai D14/215
D584,289 S * 1/2009 Lee D14/216
D584,290 S * 1/2009 Lee D14/216

D607,876 S * 1/2010 Huang D14/216
D610,572 S * 2/2010 Skurdal D14/216
D610,573 S * 2/2010 Joseph D14/216
D620,480 S * 7/2010 Garrett D14/216
D635,554 S * 4/2011 Lee D14/216
D656,486 S * 3/2012 Parraga Gimeno D14/216

* cited by examiner

Primary Examiner — Keli L Hill

(74) *Attorney, Agent, or Firm* — Warner Norcross & Judd LLP

(57) **CLAIM**

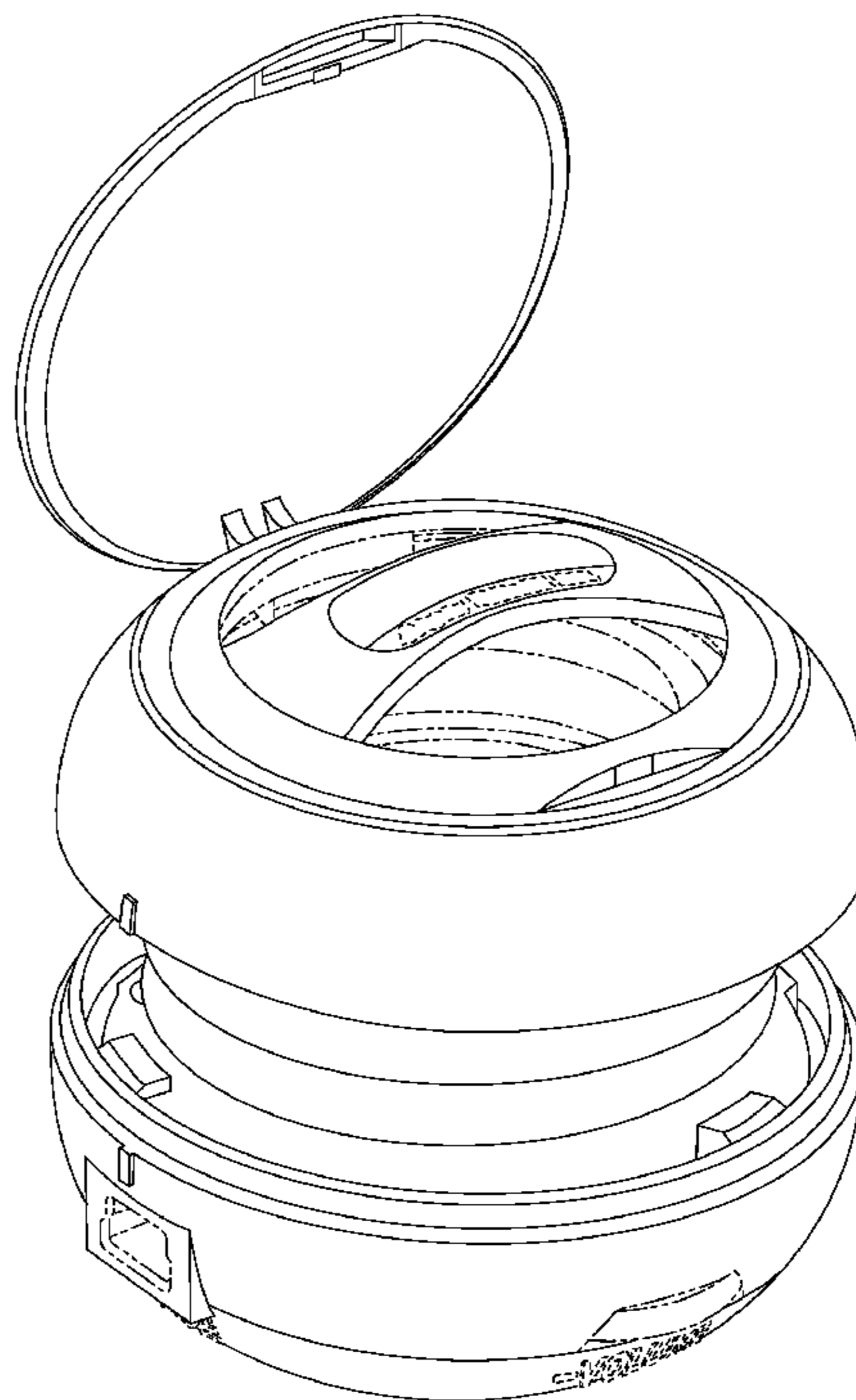
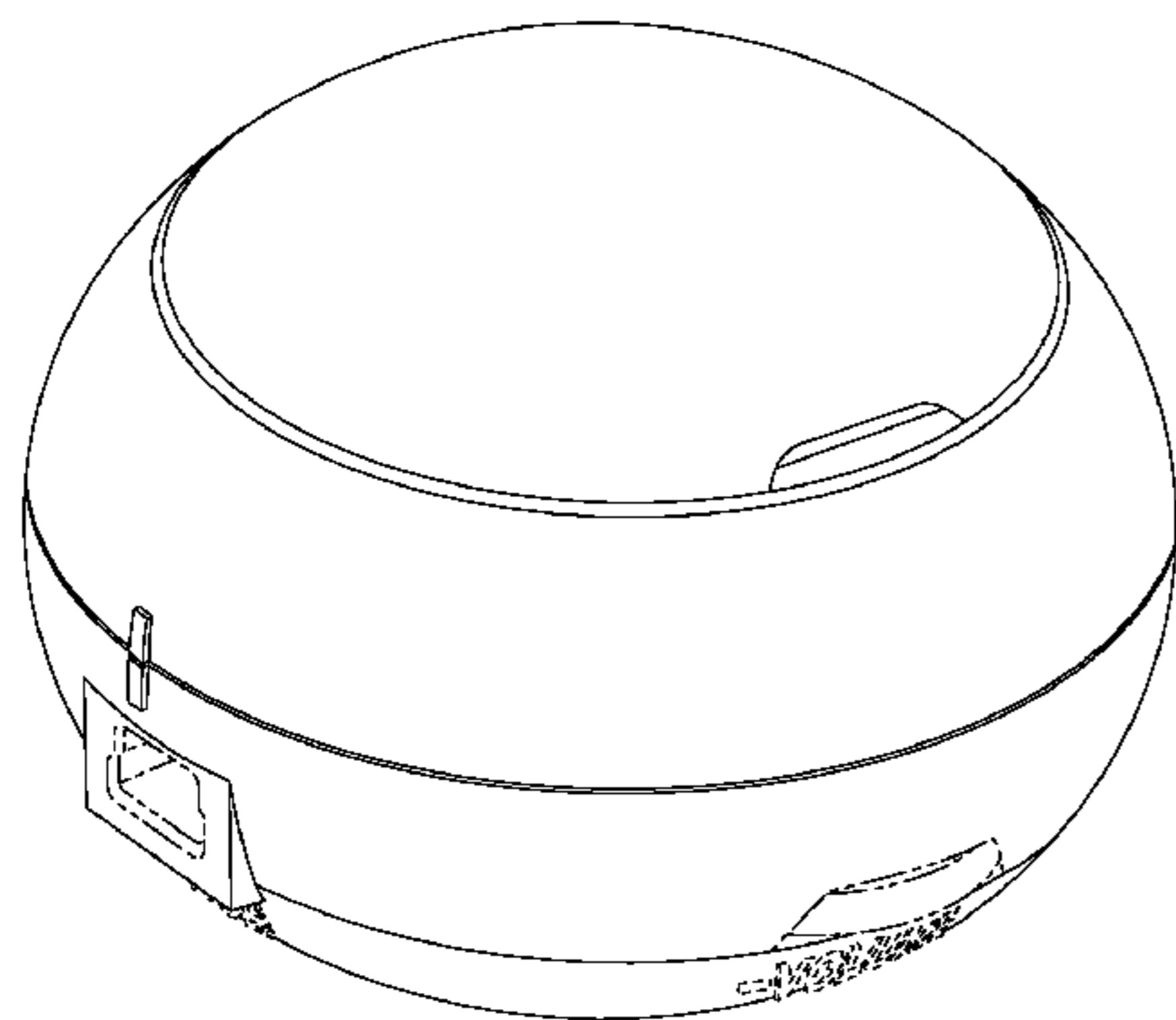
The ornamental design for speaker with extendable top, as shown and described.

DESCRIPTION

FIG. 1 is a perspective view of the current embodiment of speaker with extendable top embodying the new design in the closed position;
FIG. 2 is a perspective view thereof in the extended position;
FIG. 3 is a top view thereof;
FIG. 4 is a bottom view thereof;
FIG. 5 is a front view thereof in the closed position;
FIG. 6 is a right side view thereof;
FIG. 7 is a left side view thereof;
FIG. 8 is a rear view thereof;
FIG. 9 is a front view thereof in the extended position; and,
FIG. 10 is a rear view thereof.

The broken lines shown in the drawings represent unclaimed portions of the speaker with extendable top and form no part of the claimed design.

1 Claim, 10 Drawing Sheets



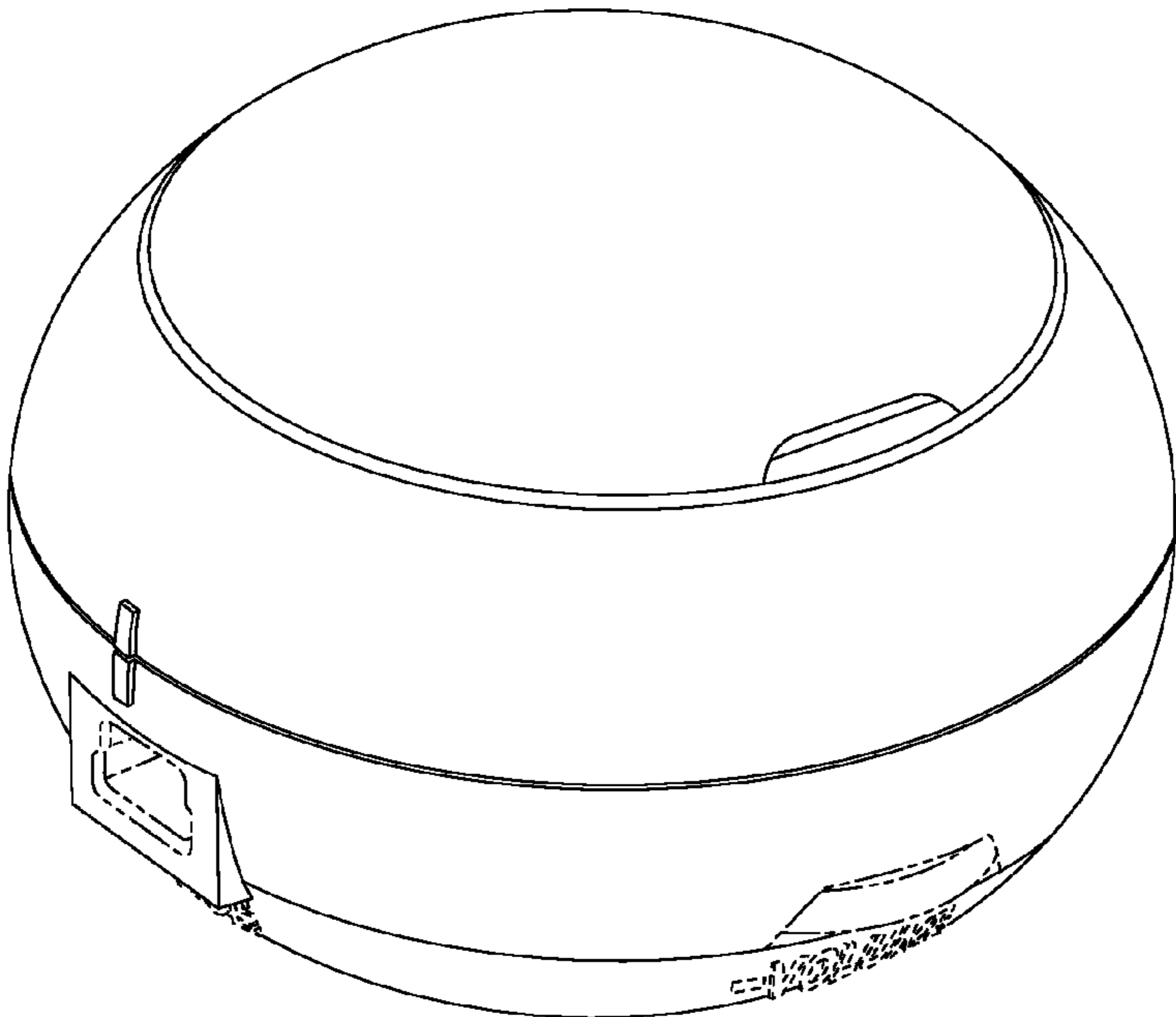


Fig. 1

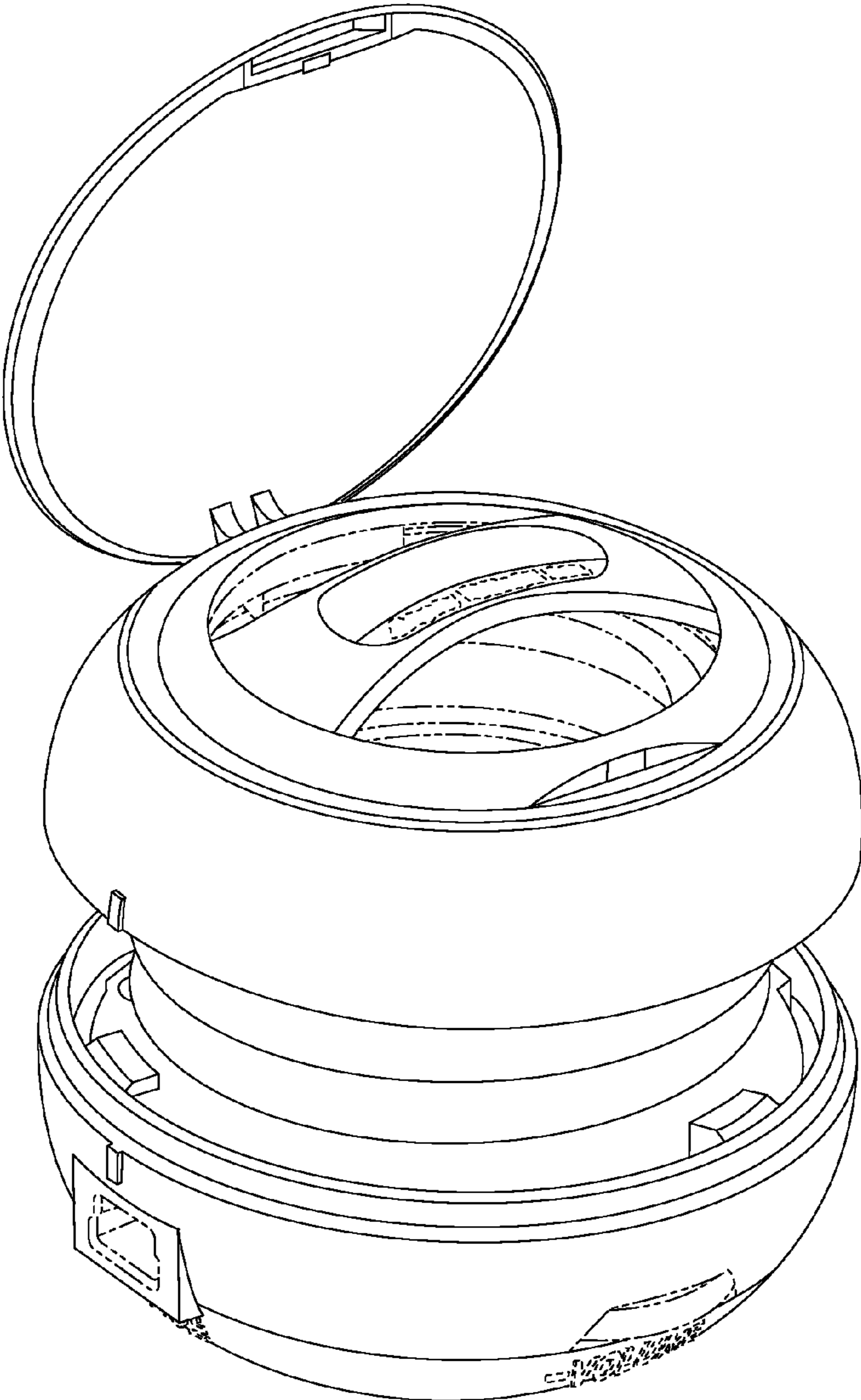


Fig. 2

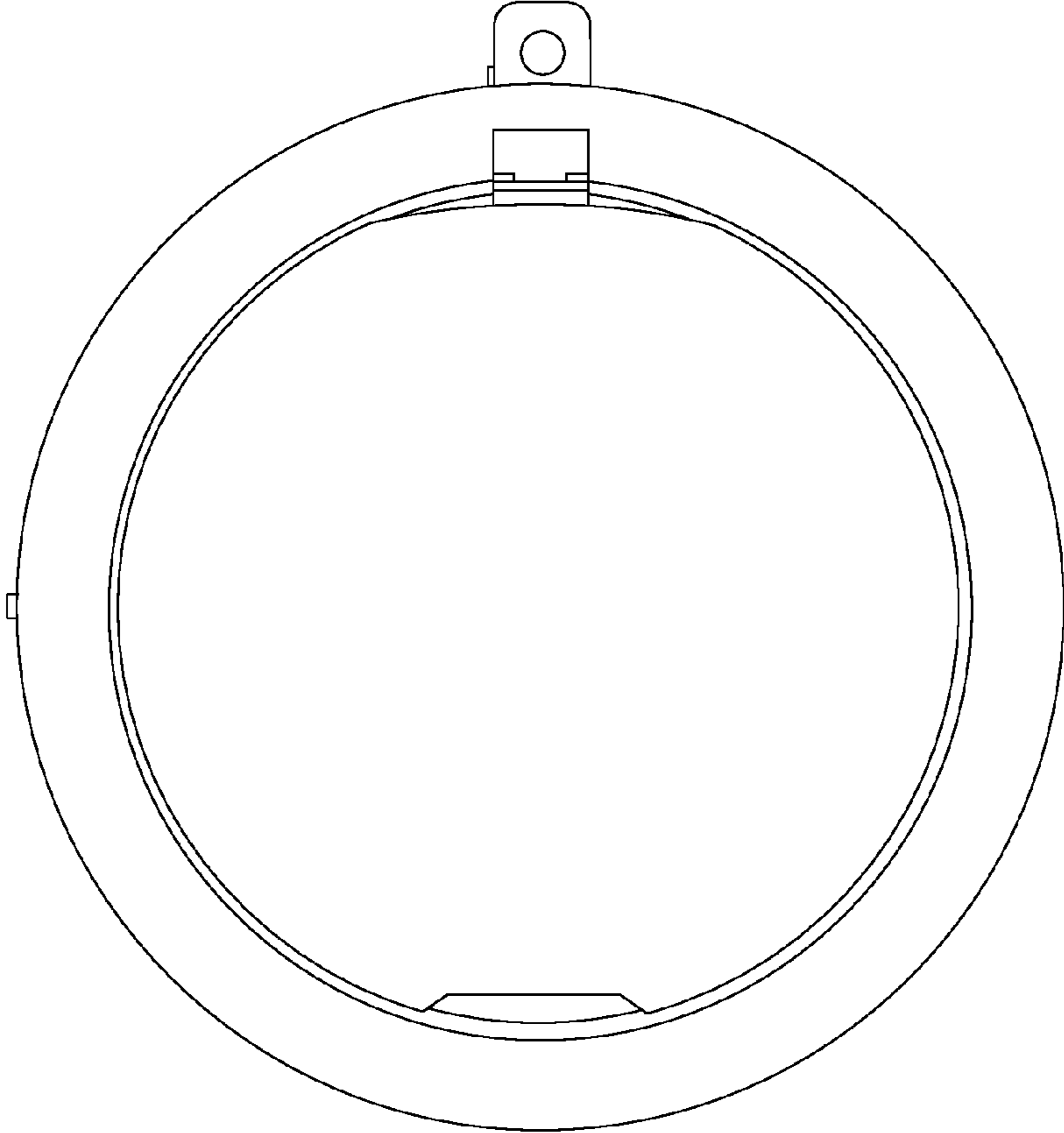


Fig. 3

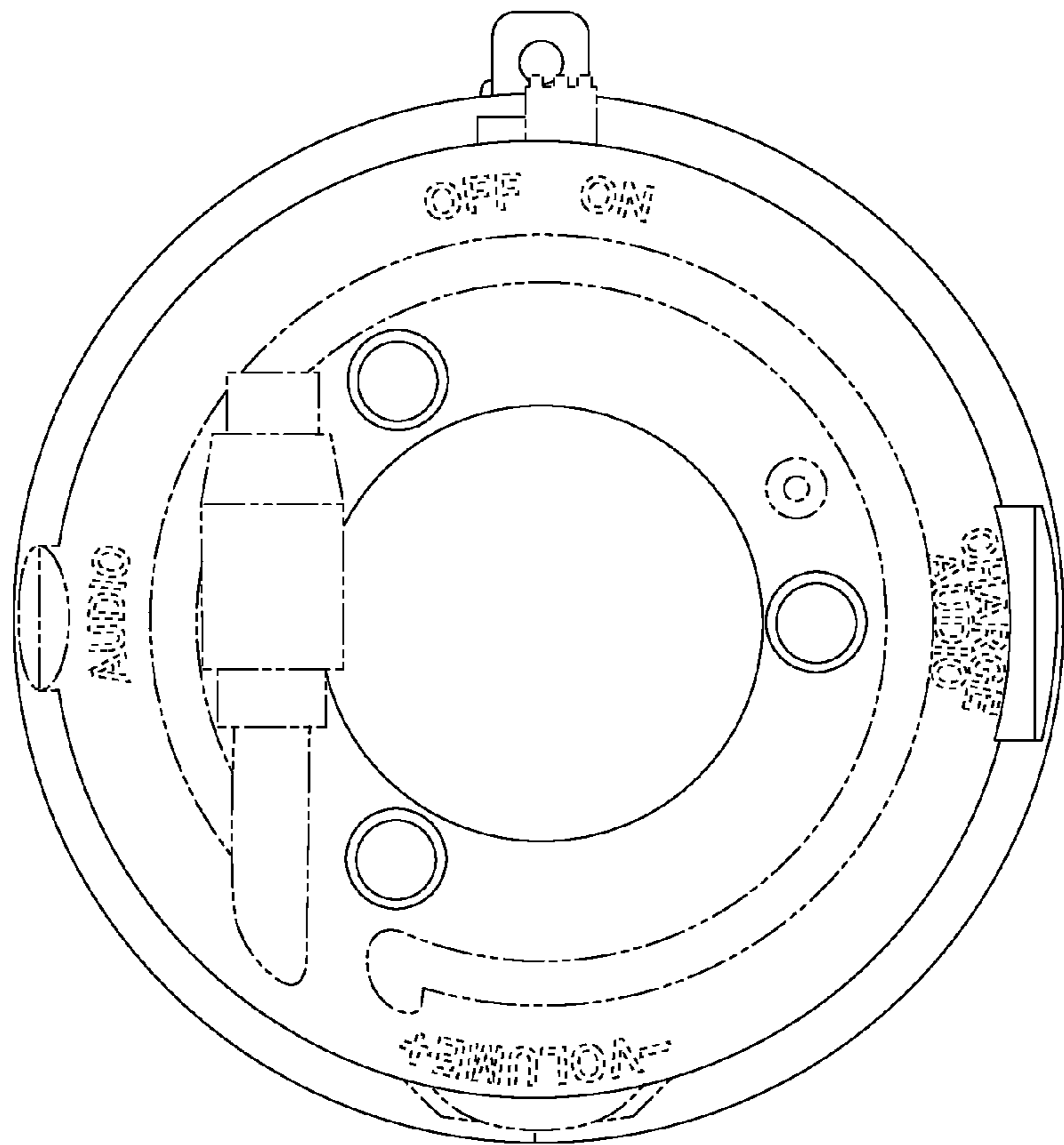


Fig. 4

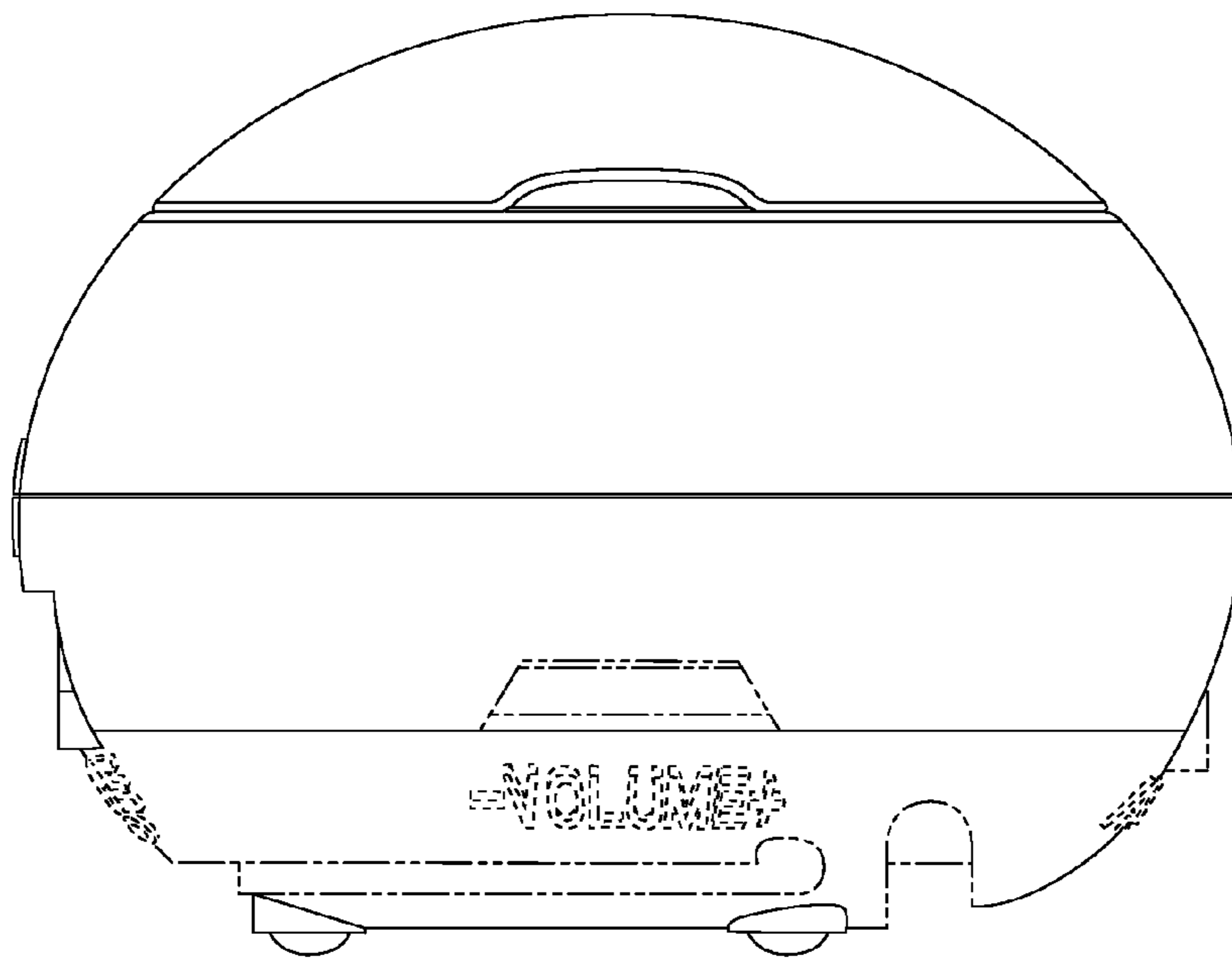


Fig. 5

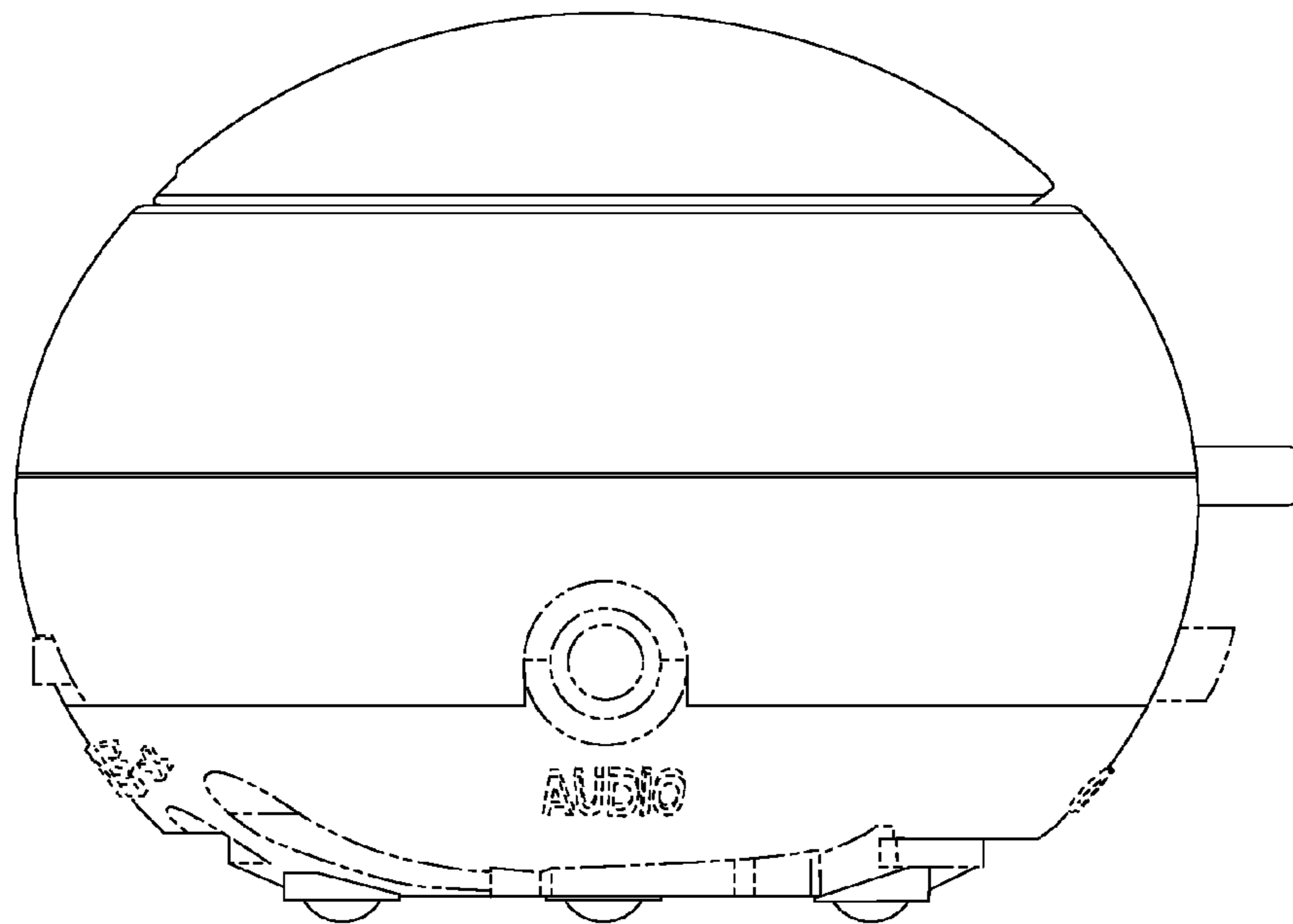


Fig. 6

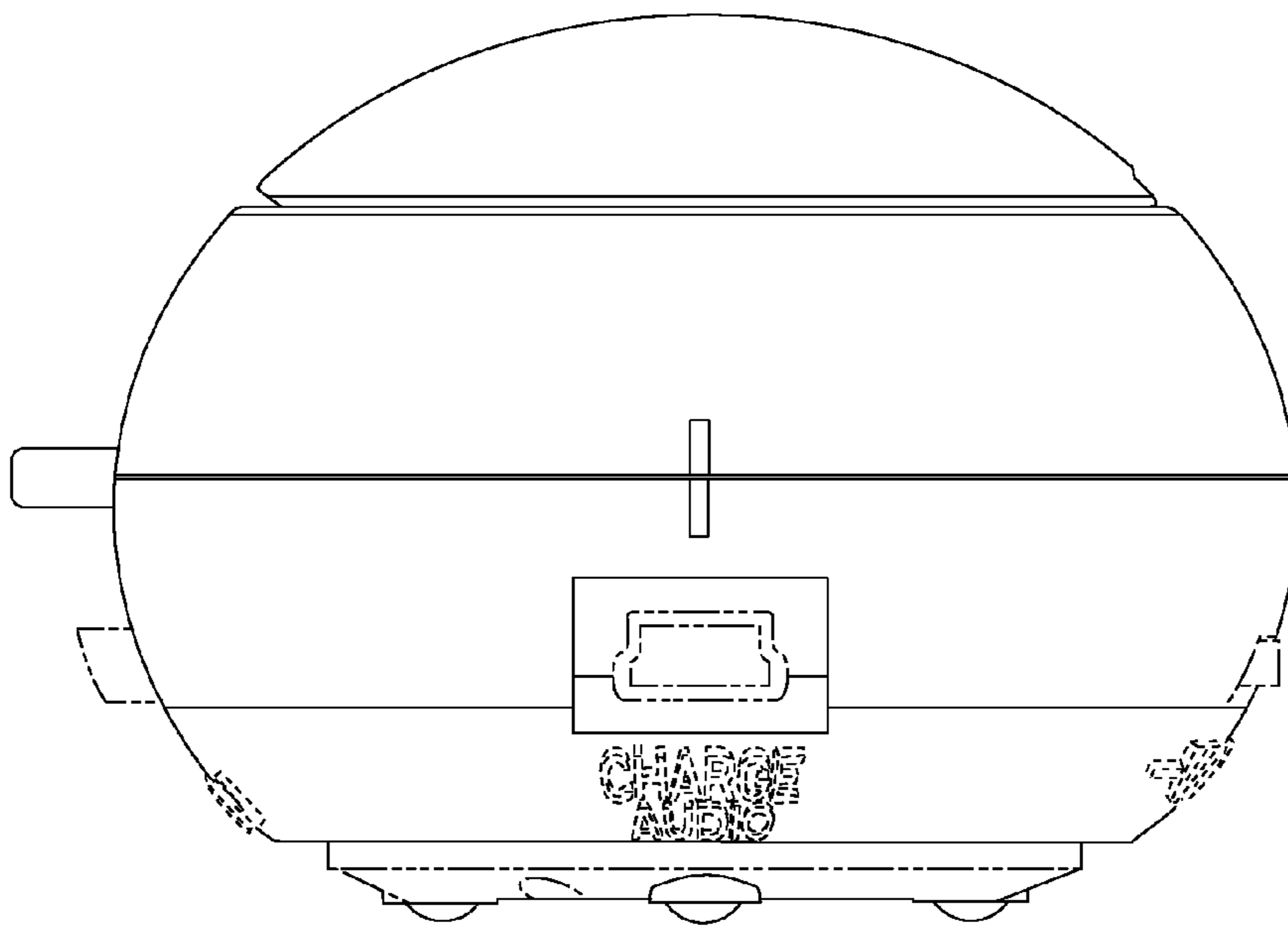


Fig. 7

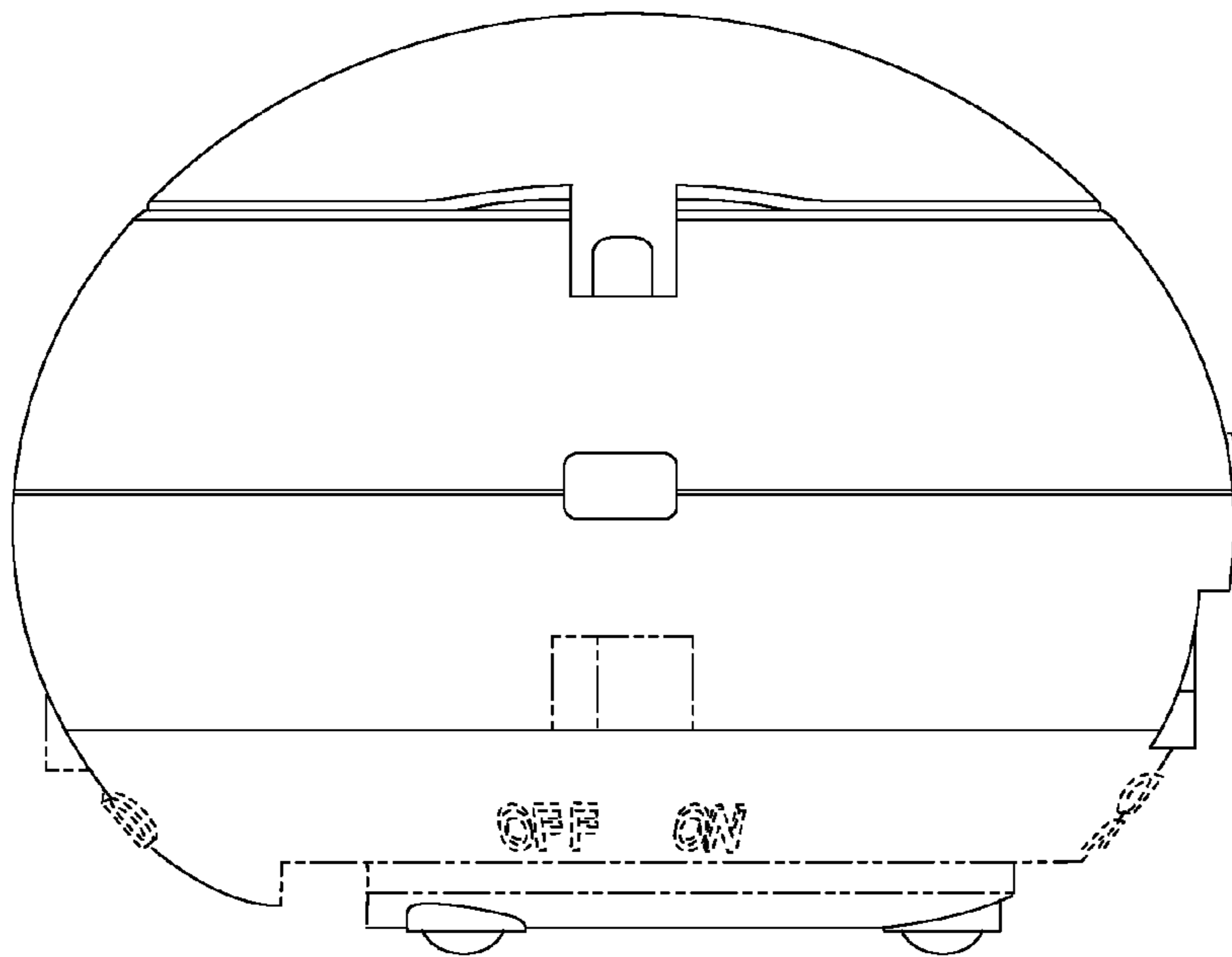


Fig. 8

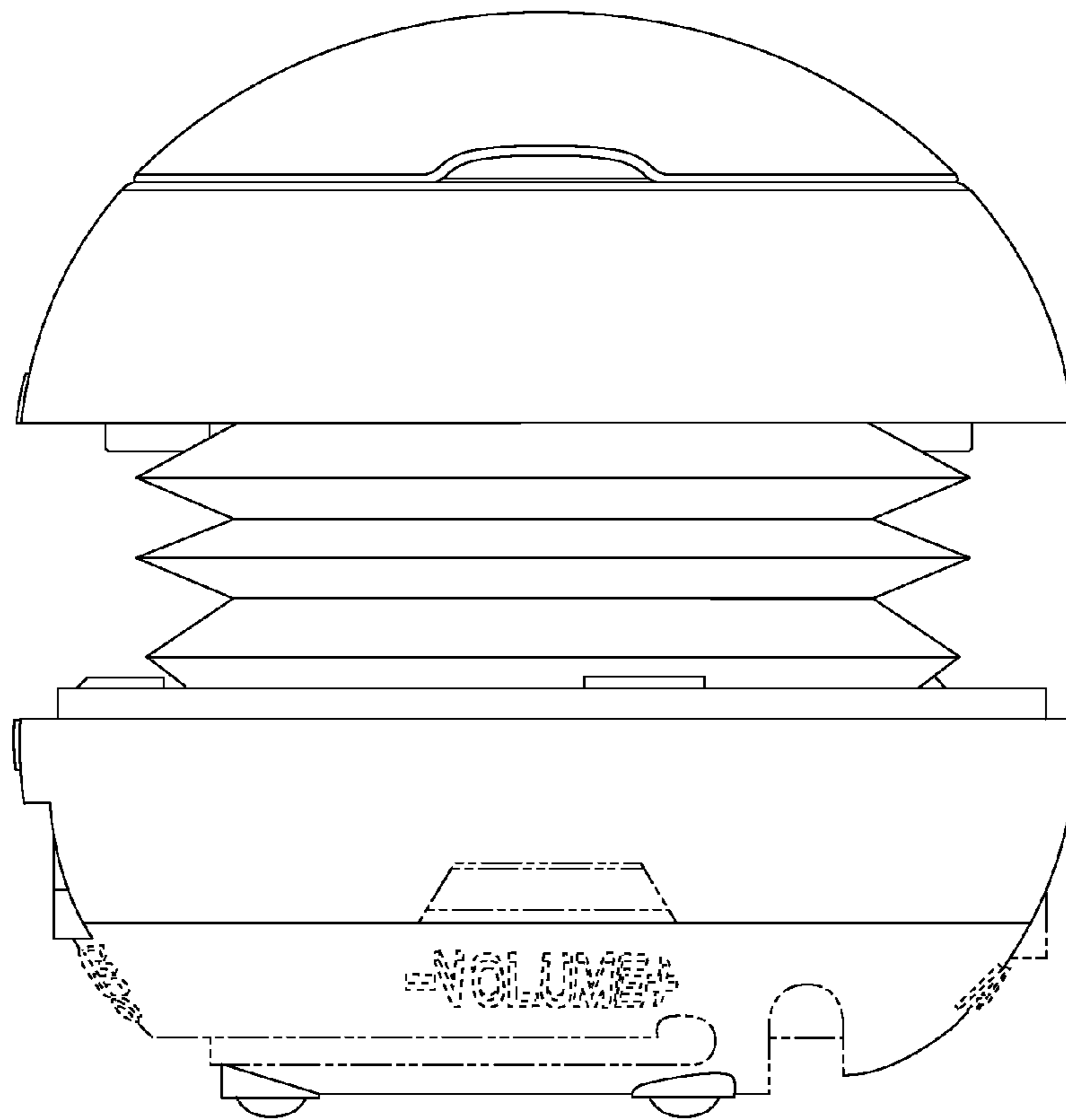


Fig. 9

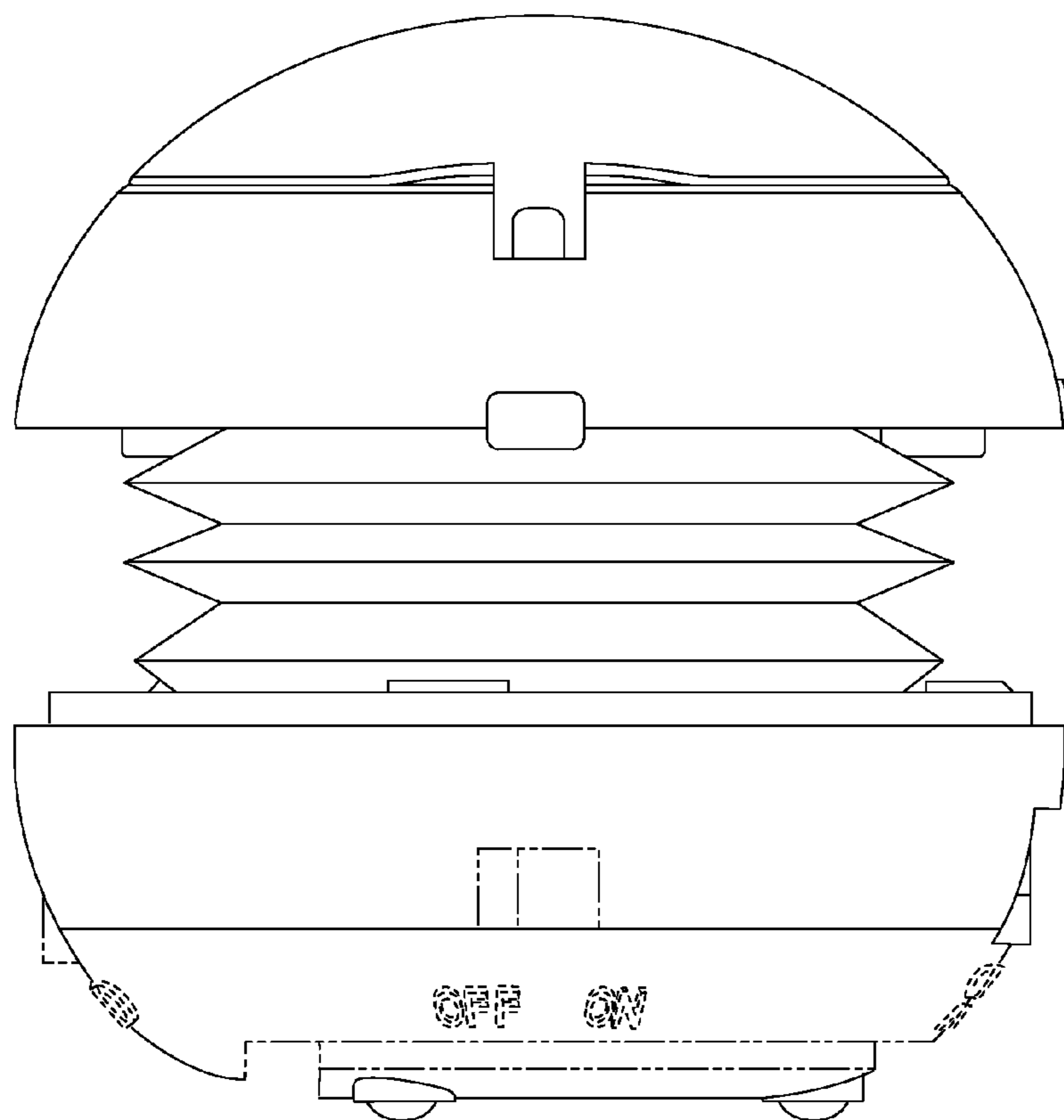


Fig. 10