



US00D699219S

(12) **United States Design Patent**  
**Lee**

(10) **Patent No.:** **US D699,219 S**  
(45) **Date of Patent:** **\*\* Feb. 11, 2014**

(54) **COMBINABLE SPEAKER SET WITH EXTENDABLE TOPS**

(75) Inventor: **Tze-Yen Lee**, Singapore (SG)

(73) Assignee: **XMI Pte Ltd**, Singapore (SG)

(\*\*) Term: **14 Years**

(21) Appl. No.: **29/397,011**

(22) Filed: **Jul. 11, 2011**

(30) **Foreign Application Priority Data**

Jan. 11, 2011 (SG) ..... D2011/16/D

(51) **LOC (10) Cl.** ..... **14-03**

(52) **U.S. Cl.**  
USPC ..... **D14/216**

(58) **Field of Classification Search**  
USPC ..... D14/168, 172, 194–196, 204, 207,  
D14/209.1, 210–216, 221, 222; 181/143,  
181/144, 147, 150, 153, 157, 198, 199;  
381/300–303, 306, 332, 333, 336, 345,  
381/361–364, 386–389  
See application file for complete search history.

(56) **References Cited**

**U.S. PATENT DOCUMENTS**

D241,161 S \* 8/1976 Tomioka ..... D14/199  
D315,562 S \* 3/1991 Brown ..... D14/213  
D342,738 S \* 12/1993 Hwang ..... D14/213  
D530,310 S \* 10/2006 Tsai ..... D14/215  
D584,289 S \* 1/2009 Lee ..... D14/216

D584,290 S \* 1/2009 Lee ..... D14/216  
D607,876 S \* 1/2010 Huang ..... D14/216  
D610,572 S \* 2/2010 Skurdal ..... D14/216  
D610,573 S \* 2/2010 Joseph ..... D14/216  
D620,480 S \* 7/2010 Garrett ..... D14/216  
D635,554 S \* 4/2011 Lee ..... D14/216  
D656,486 S \* 3/2012 Parraga Gimeno ..... D14/216

\* cited by examiner

*Primary Examiner* — Keli L Hill

(74) *Attorney, Agent, or Firm* — Warner Norcross & Judd LLP

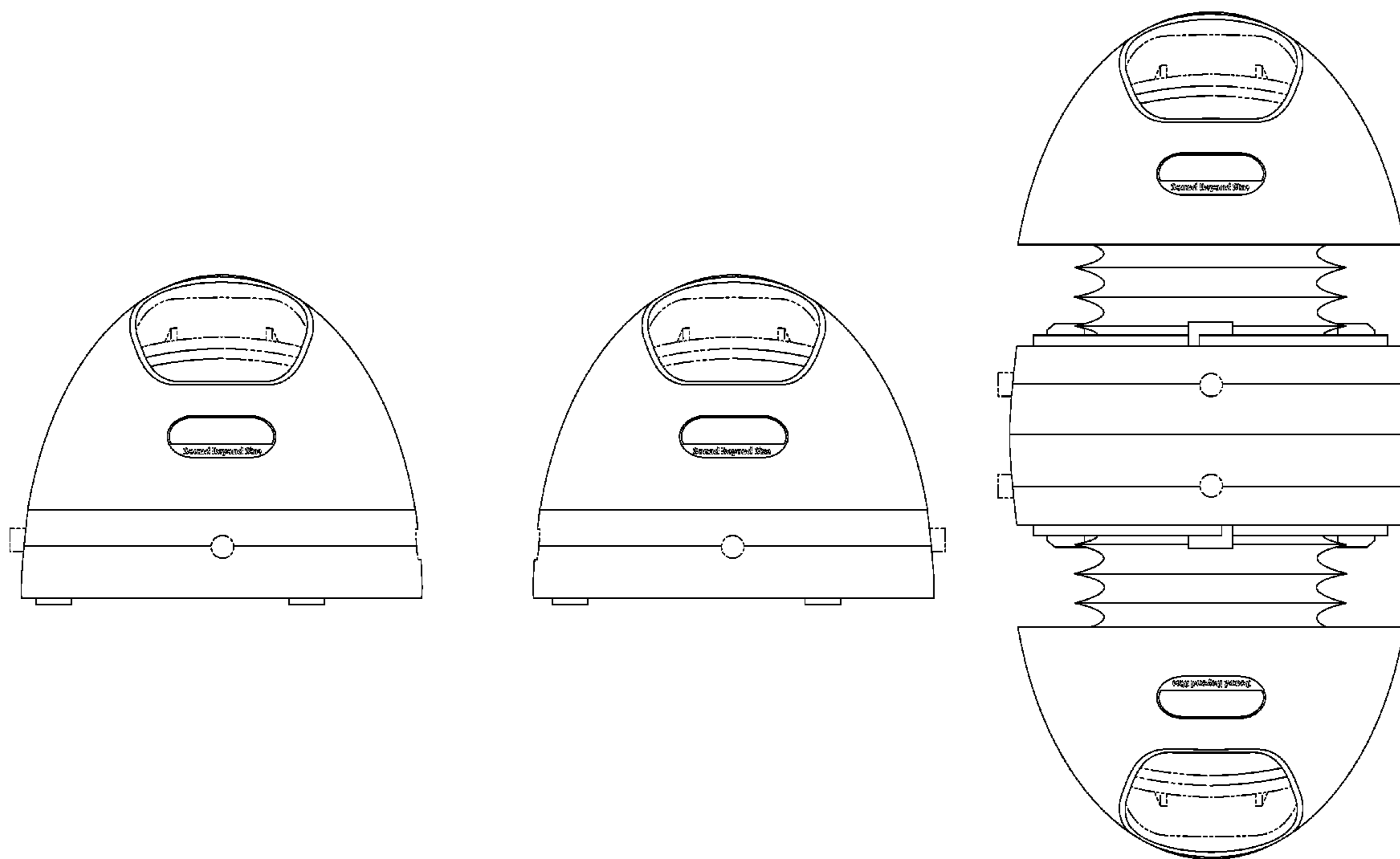
(57) **CLAIM**

The ornamental design for combinable speaker set with extendable tops, as shown and described.

**DESCRIPTION**

FIG. 1 is a front view of the current embodiment of the combinable speaker set with extendable tops embodying the new design in the extended position;  
FIG. 2 is a front view thereof in the non-extended position;  
FIG. 3 is a top view thereof;  
FIG. 4 is a bottom view thereof;  
FIG. 5 is a front view thereof in the extended, combined position;  
FIG. 6 is a rear view thereof;  
FIG. 7 is a right side view thereof;  
FIG. 8 is a front view thereof in the combined, non-extended position;  
FIG. 9 is a rear view thereof; and,  
FIG. 10 is a right side view thereof.

**1 Claim, 10 Drawing Sheets**



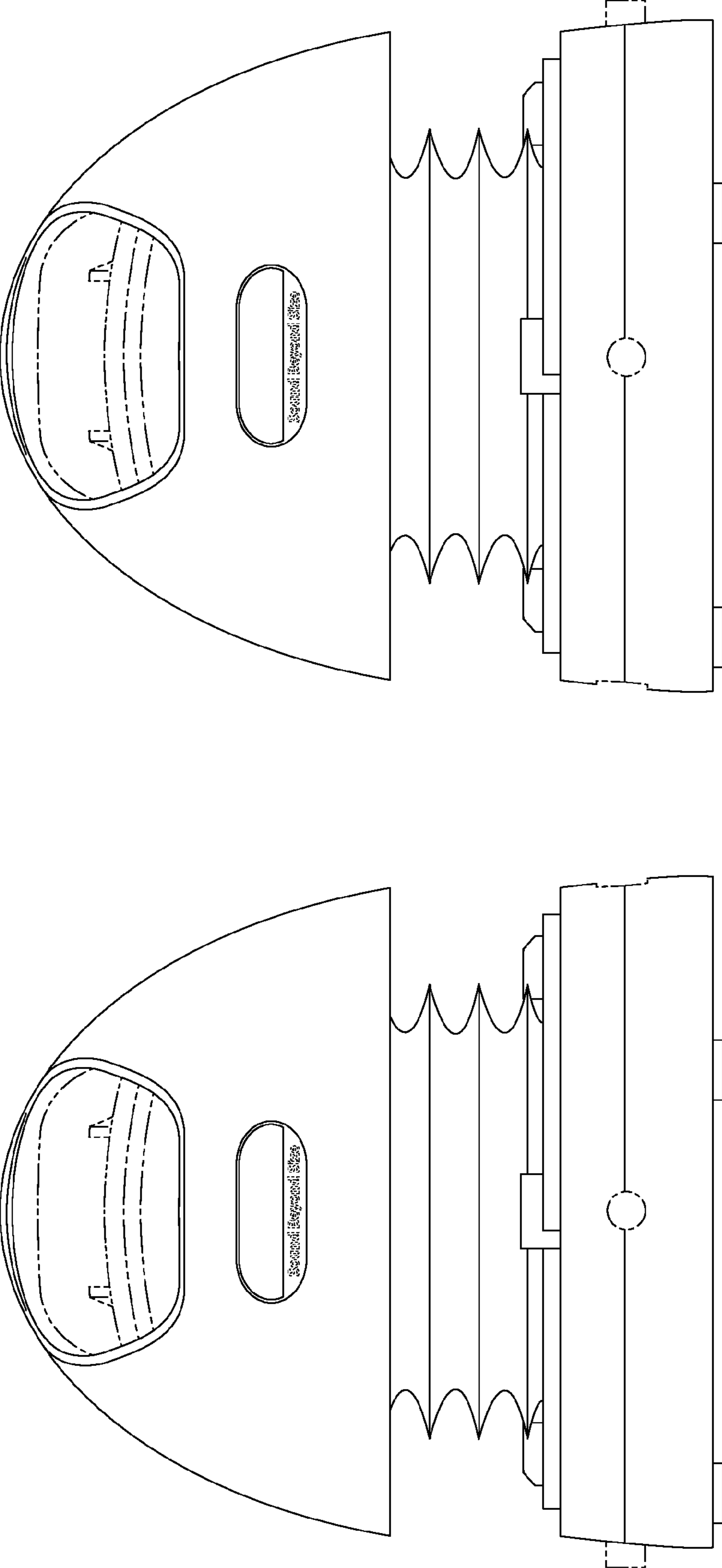


Fig. 1

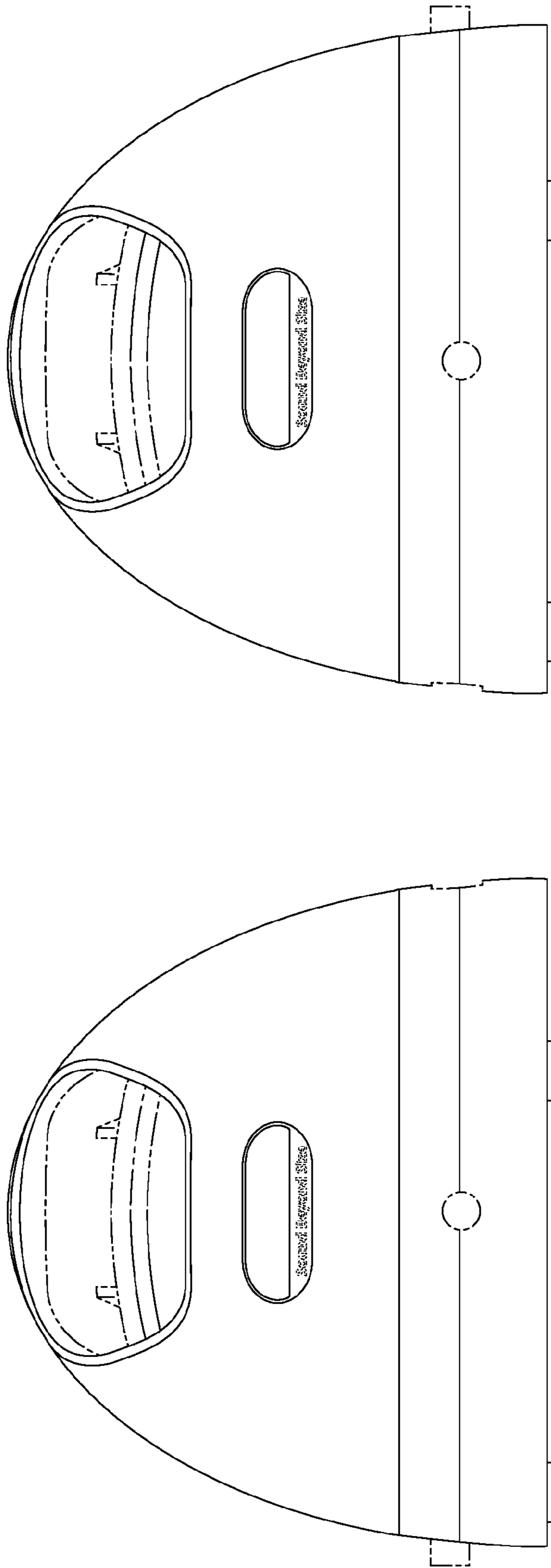


Fig. 2

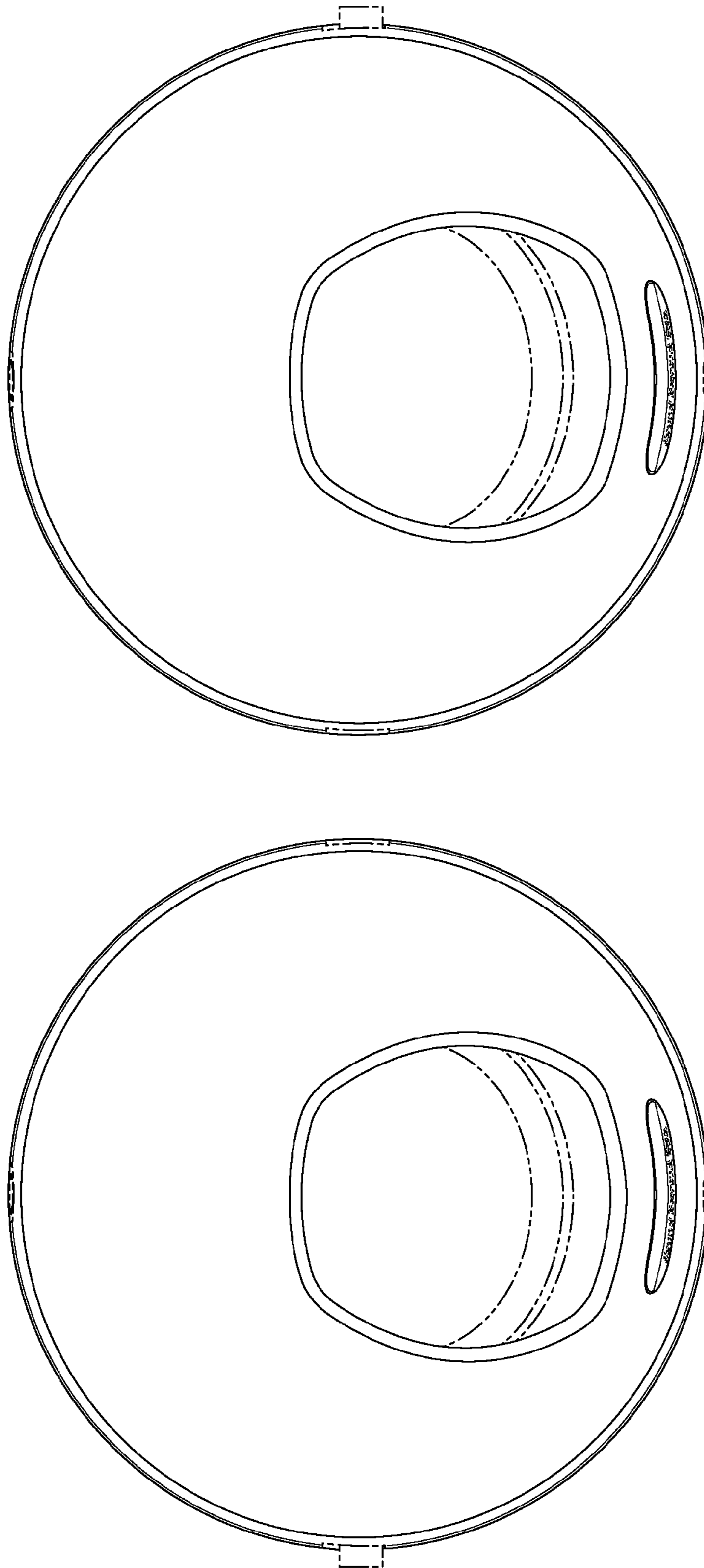


Fig. 3

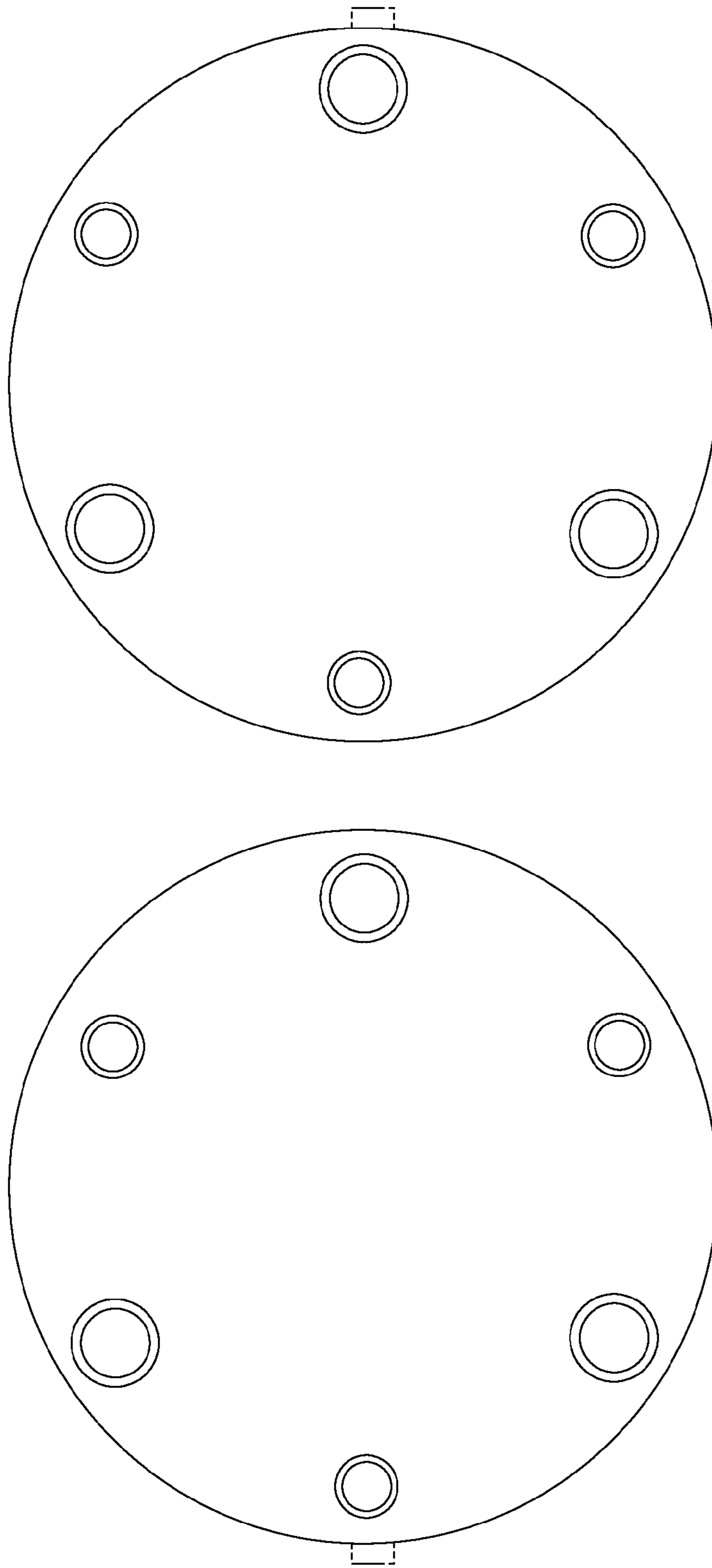


Fig. 4

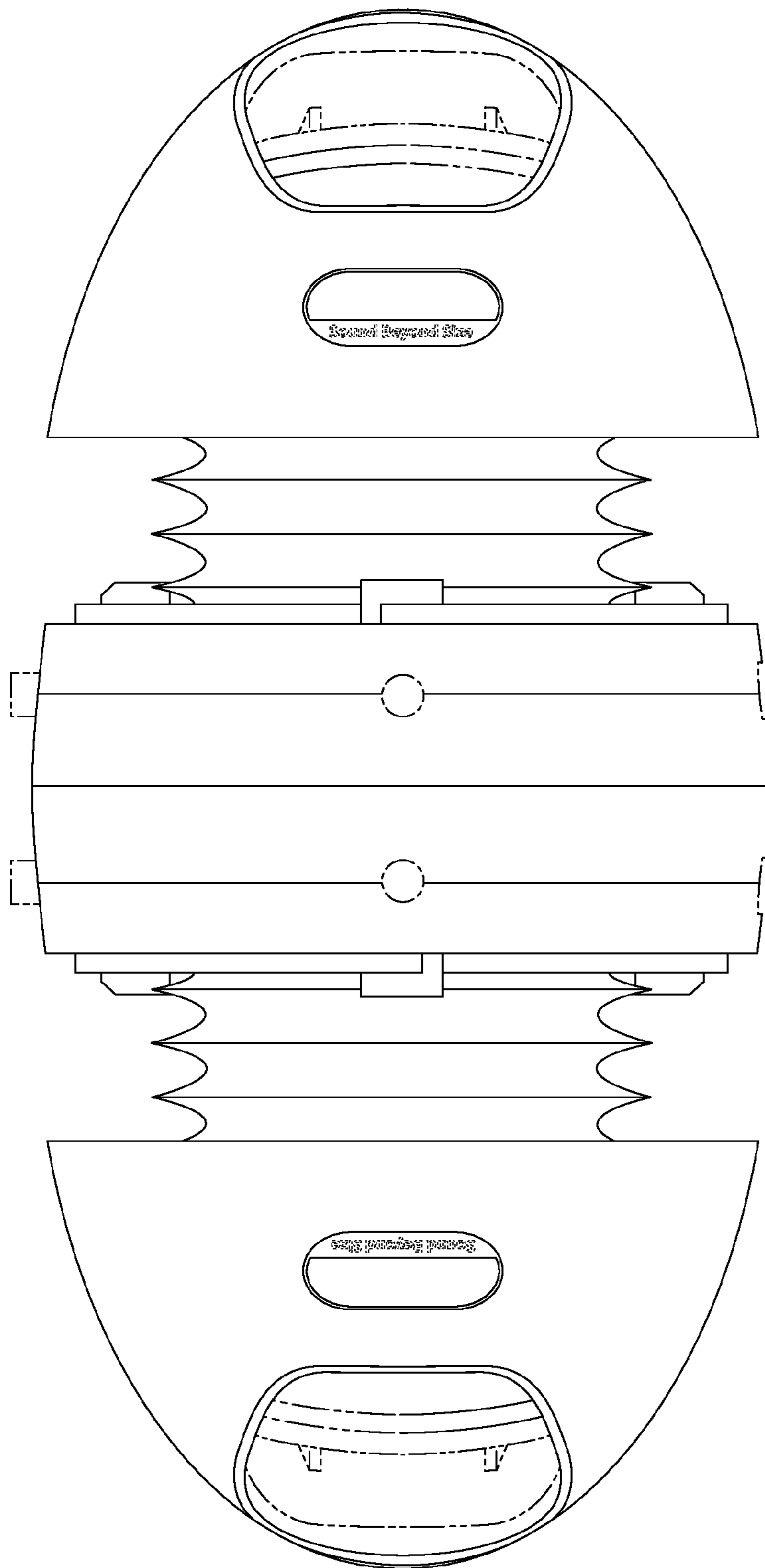


Fig. 5

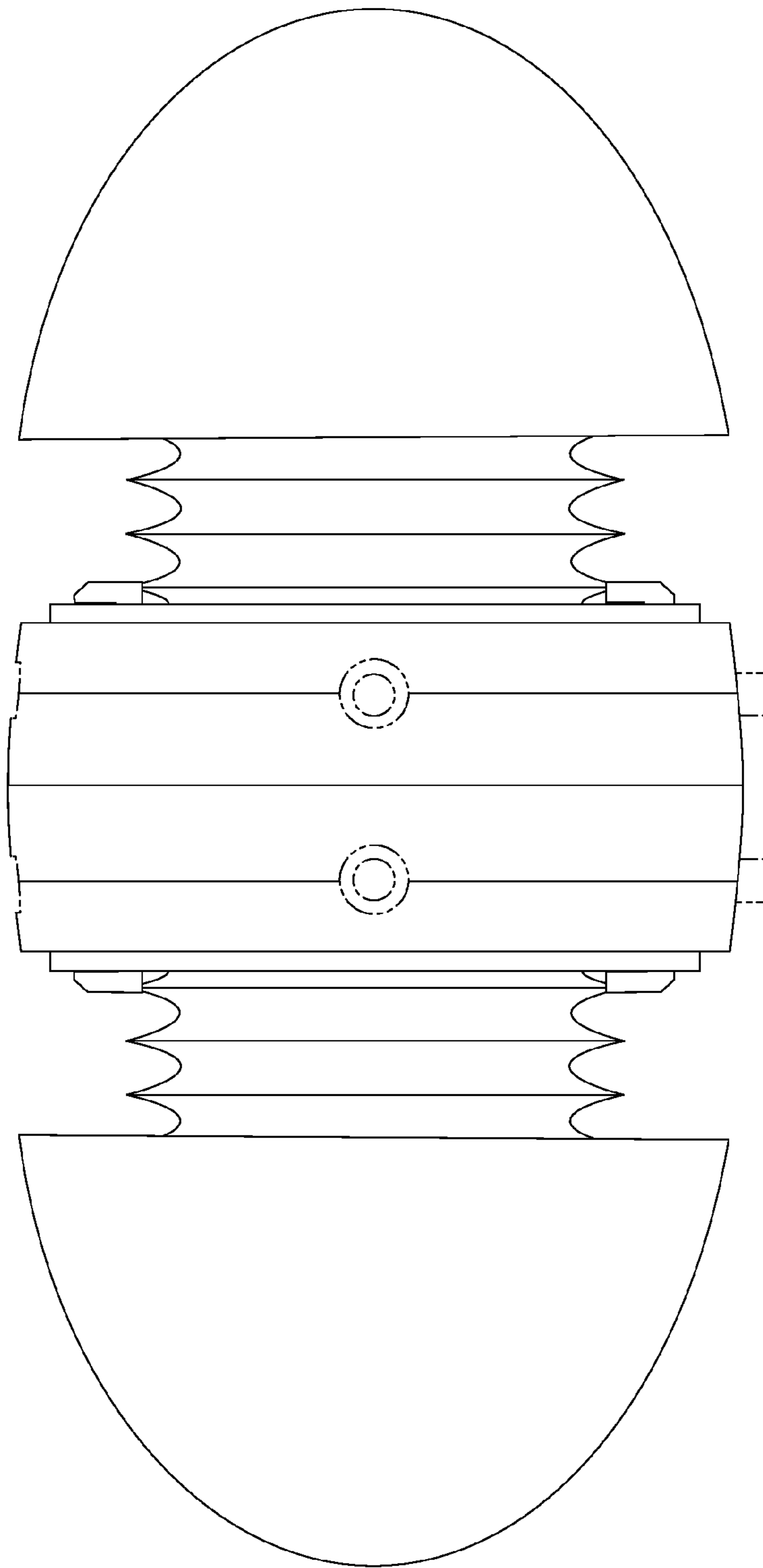


Fig. 6

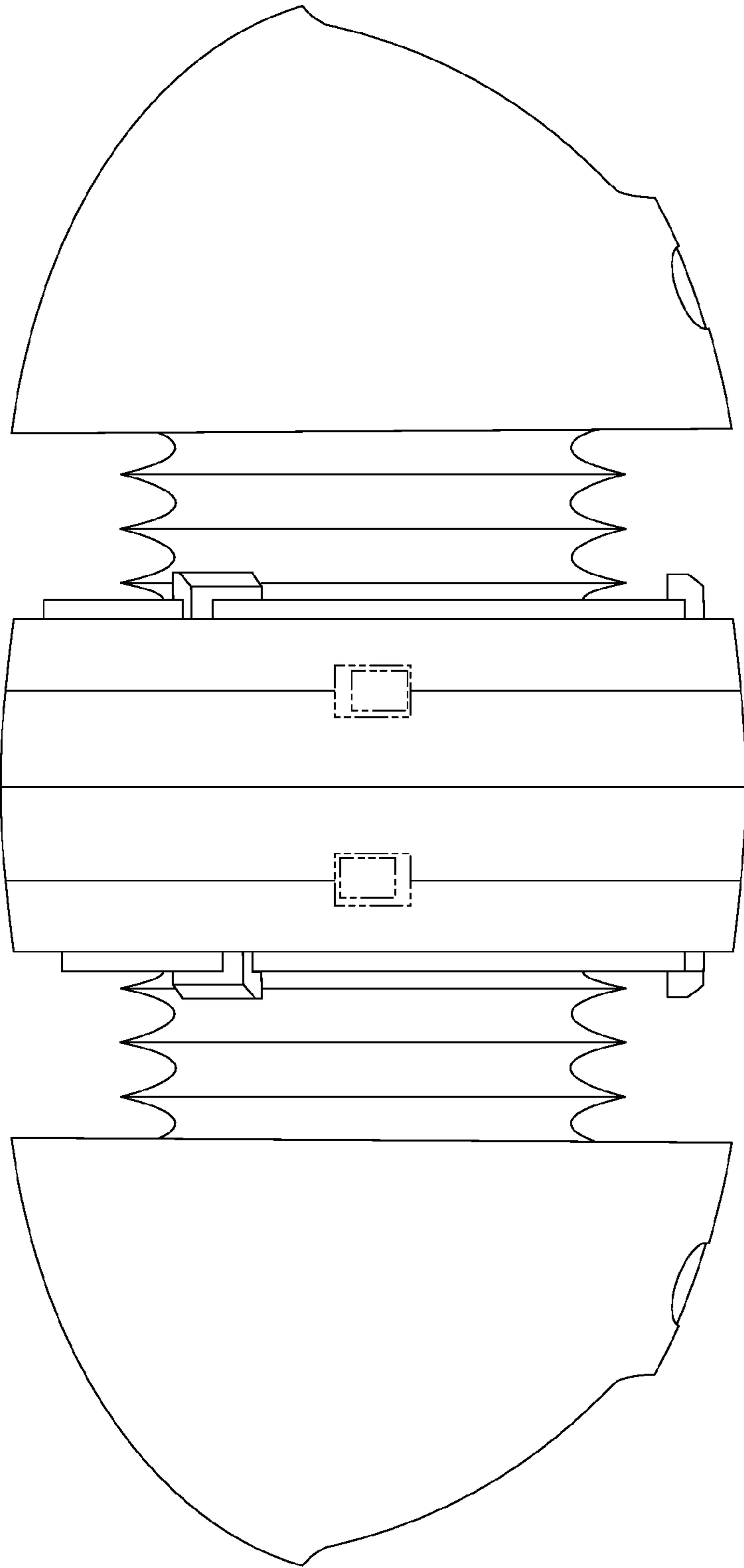


Fig. 7



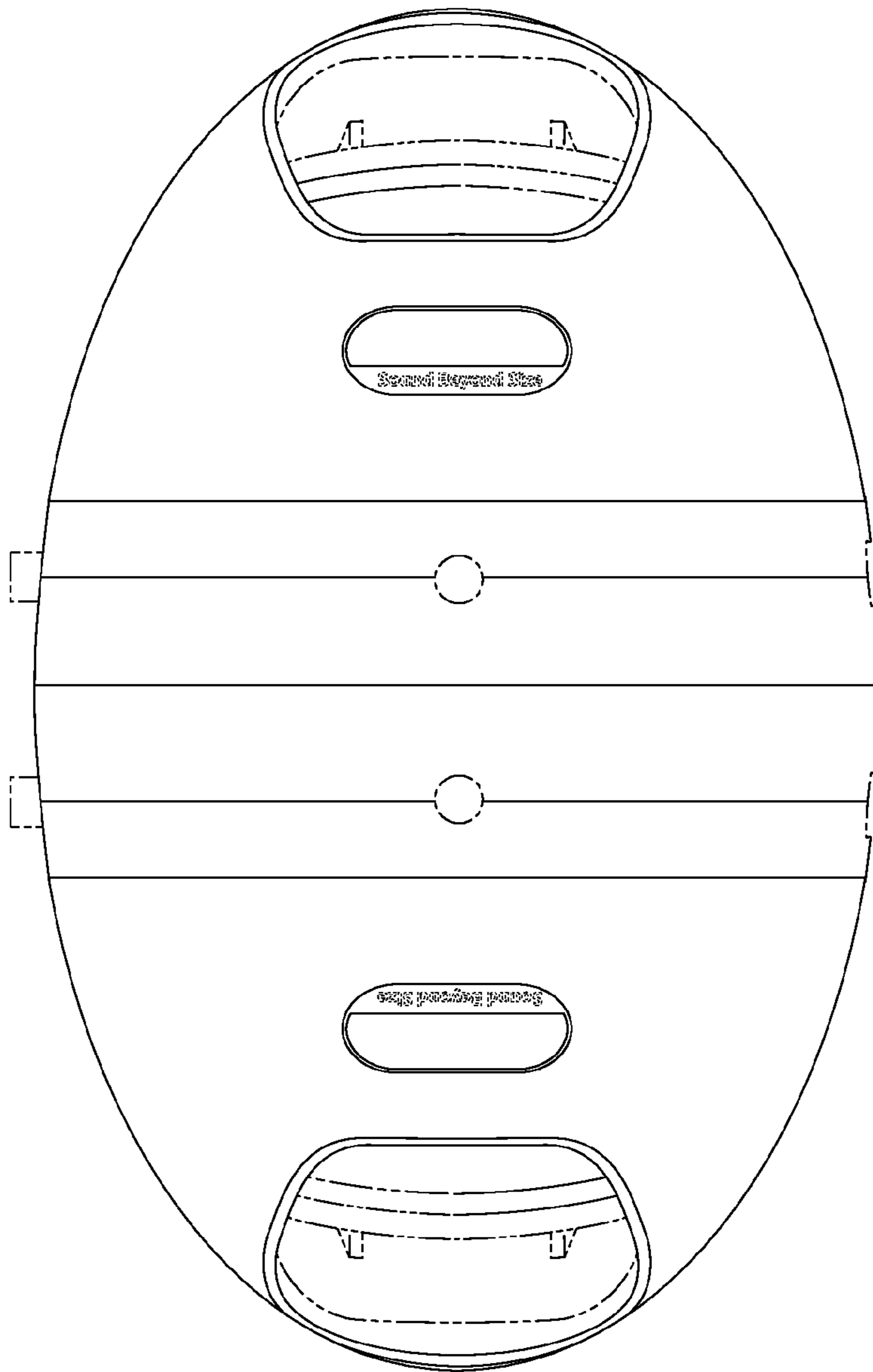


Fig. 8

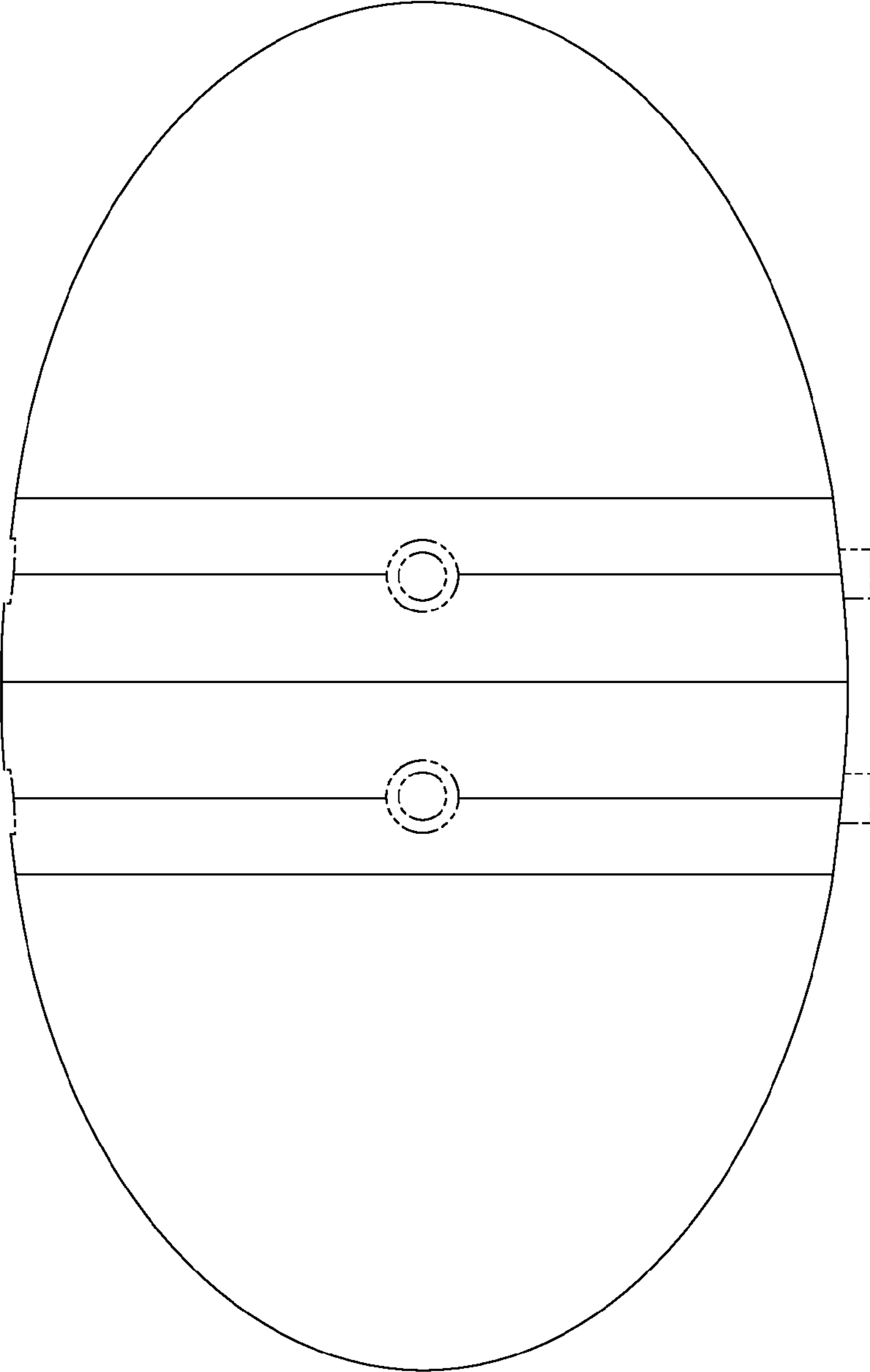


Fig. 9

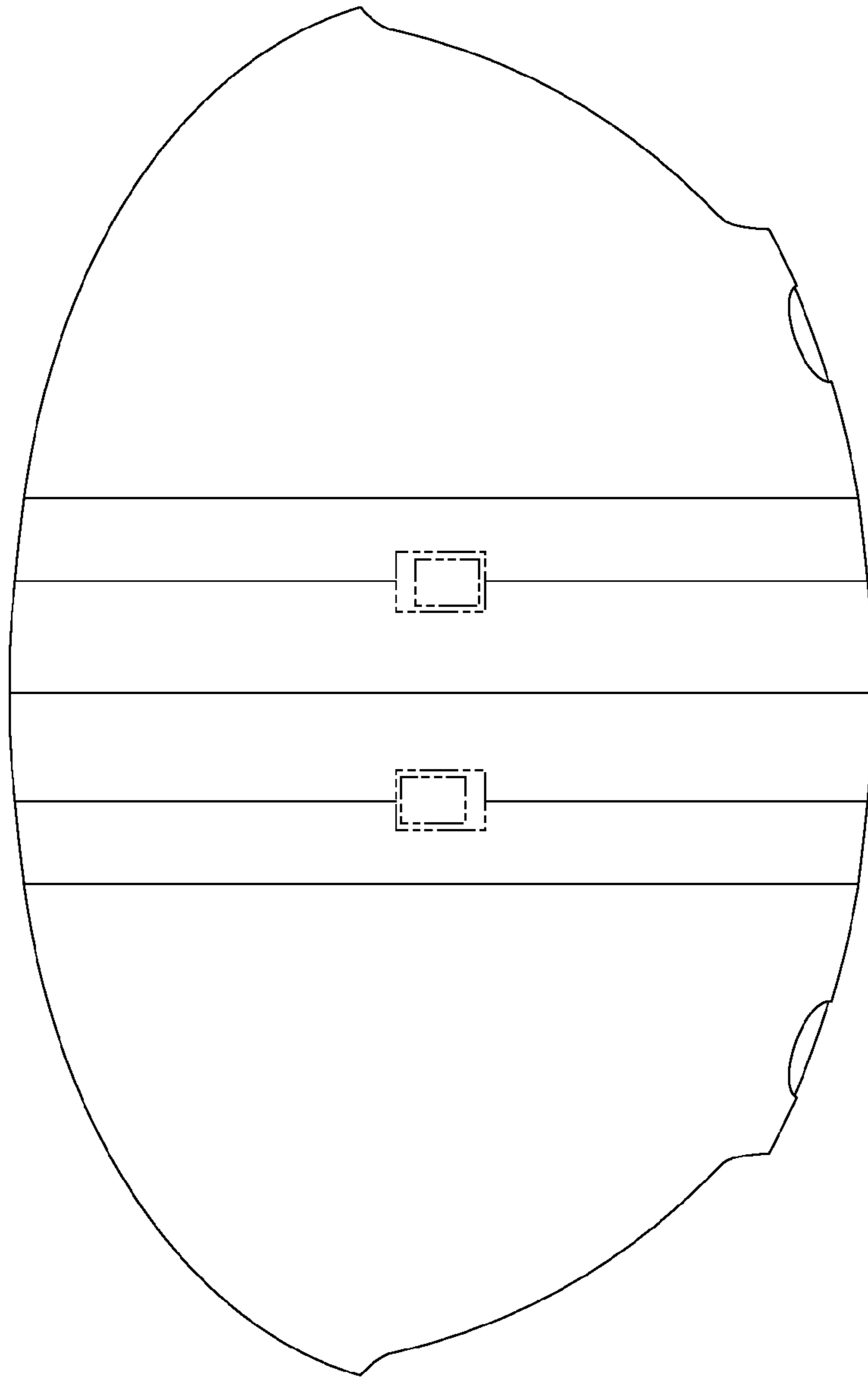


Fig. 10