



US00D699216S

(12) **United States Design Patent**
Bonahoom et al.

(10) **Patent No.:** **US D699,216 S**
(45) **Date of Patent:** **** Feb. 11, 2014**

(54) **HEADSET**

(71) Applicant: **Skullcandy, Inc.**, Park City, UT (US)

(72) Inventors: **Rhys C. Bonahoom**, Hillsborough, CA (US); **Nathaniel G. Cervantes**, San Francisco, CA (US); **Adam Barry**, San Francisco, CA (US)

(73) Assignee: **Skullcandy, Inc.**, Park City, UT (US)

(**) Term: **14 Years**

(21) Appl. No.: **29/466,105**

(22) Filed: **Sep. 4, 2013**

Related U.S. Application Data

(63) Continuation of application No. 29/430,211, filed on Aug. 22, 2012, now Pat. No. Des. 689,464.

(51) **LOC (10) Cl.** **14-01**

(52) **U.S. Cl.**
USPC **D14/205; D14/206**

(58) **Field of Classification Search**
USPC D14/205, 223, 188, 192, 203.1, 203.3, D14/496; D29/112; 2/209; 181/129, 130, 181/135; 379/430, 431; 455/90.3, 575.1
See application file for complete search history.

(56) **References Cited**

U.S. PATENT DOCUMENTS

533,206 A * 1/1895 Koss 411/296
2,277,994 A * 3/1942 Roberts 2/421
D235,939 S * 7/1975 Conroy D29/112
D323,167 S * 1/1992 Yamazaki et al. D14/205
5,095,382 A * 3/1992 Abe 398/202

D342,946 S * 1/1994 Hyogo D14/192
D352,036 S * 11/1994 Sekita D14/192
5,805,144 A * 9/1998 Scholder et al. 345/163
D406,140 S 2/1999 Hall et al.
D422,592 S 4/2000 Deguchi
D439,574 S * 3/2001 Katayama D14/203.5
6,297,795 B1 * 10/2001 Kato et al. 345/684
D504,419 S 4/2005 Bey et al.
D508,908 S * 8/2005 Chueh D14/205
D513,011 S * 12/2005 Johnson D14/203.7

(Continued)

FOREIGN PATENT DOCUMENTS

EP 1760896 9/2010
EP 2262117 12/2010

(Continued)

Primary Examiner — Paula Greene

(74) *Attorney, Agent, or Firm* — TraskBritt

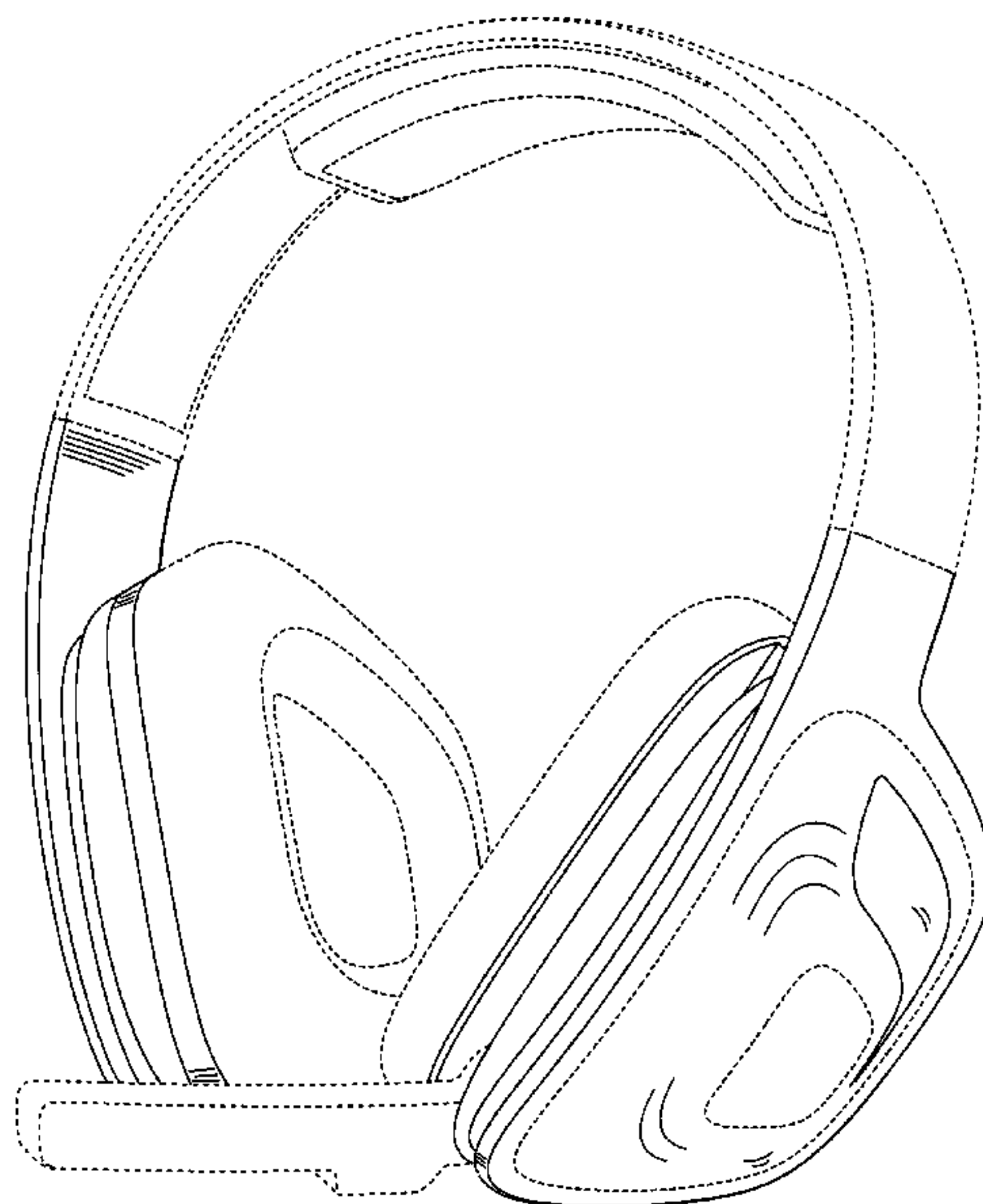
(57) **CLAIM**

The ornamental design for a headset, as shown and described.

DESCRIPTION

FIG. 1 is a front view of an embodiment of a headset;
FIG. 2 is a rear view of the headset shown in FIG. 1;
FIG. 3 is a right side view of the headset shown in FIG. 1;
FIG. 4 is a left side view of the headset shown in FIG. 1;
FIG. 5 is a top view of the headset shown in FIG. 1;
FIG. 6 is a bottom view of the headset shown in FIG. 1;
FIG. 7 is a perspective view of the headset shown in FIG. 1;
and,
FIG. 8 is a perspective view of the headset shown in FIG. 1 illustrating a microphone in an extended position.
The broken lines in FIGS. 1-8 are for environmental purposes only and do not form any part of the claimed design.

1 Claim, 6 Drawing Sheets



(56)

References Cited

U.S. PATENT DOCUMENTS

D518,479 S 4/2006 Skulley
 7,187,948 B2 3/2007 Alden
 D539,788 S 4/2007 Thompson et al.
 D540,303 S 4/2007 Rausch et al.
 D541,256 S 4/2007 Rausch et al.
 D542,774 S 5/2007 Rausch et al.
 D557,684 S * 12/2007 Pundsack et al. D14/205
 7,395,090 B2 7/2008 Alden
 D582,890 S * 12/2008 Koza et al. D14/205
 D589,492 S 3/2009 Mistry
 D589,530 S * 3/2009 Andre et al. D14/496
 D607,874 S * 1/2010 Sheba et al. D14/203.7
 D613,266 S * 4/2010 Barry et al. D14/205
 D617,771 S * 6/2010 Groves et al. D14/206
 D623,627 S 9/2010 Alden et al.
 D638,397 S 5/2011 McManigal
 D641,003 S 7/2011 Alden
 8,014,824 B2 9/2011 Alden
 D649,528 S * 11/2011 Park D14/205
 D650,356 S 12/2011 Alden et al.
 D652,017 S 1/2012 Groves et al.
 D654,472 S 2/2012 Fischer
 8,139,807 B2 3/2012 Reiss et al.
 D665,776 S 8/2012 Alden et al.

D665,777 S 8/2012 Alden et al.
 D673,136 S 12/2012 Kelly et al.
 D673,140 S 12/2012 Kelly et al.
 8,335,335 B2 12/2012 Reiss et al.
 D674,372 S 1/2013 Kelly et al.
 D674,376 S 1/2013 Kelly et al.
 D676,023 S 2/2013 Kelly et al.
 D676,024 S 2/2013 Kelly et al.
 D677,241 S 3/2013 Kelly et al.
 D683,717 S 6/2013 Kelly et al.
 D689,464 S * 9/2013 Bonahoom et al. D14/206
 2007/0142025 A1 6/2007 Alden
 2008/0267440 A1 10/2008 Alden
 2011/0164776 A1 7/2011 Kelly et al.
 2011/0235819 A1 9/2011 Alden
 2012/0128172 A1 5/2012 Alden
 2012/0275615 A1 11/2012 Kelly et al.
 2013/0118944 A1 5/2013 Niiro et al.
 2013/0130540 A1 5/2013 Oman et al.

FOREIGN PATENT DOCUMENTS

WO 2010068495 6/2010
 WO 2010124190 10/2010
 WO 2011085096 7/2011
 WO 2012024656 2/2012

* cited by examiner

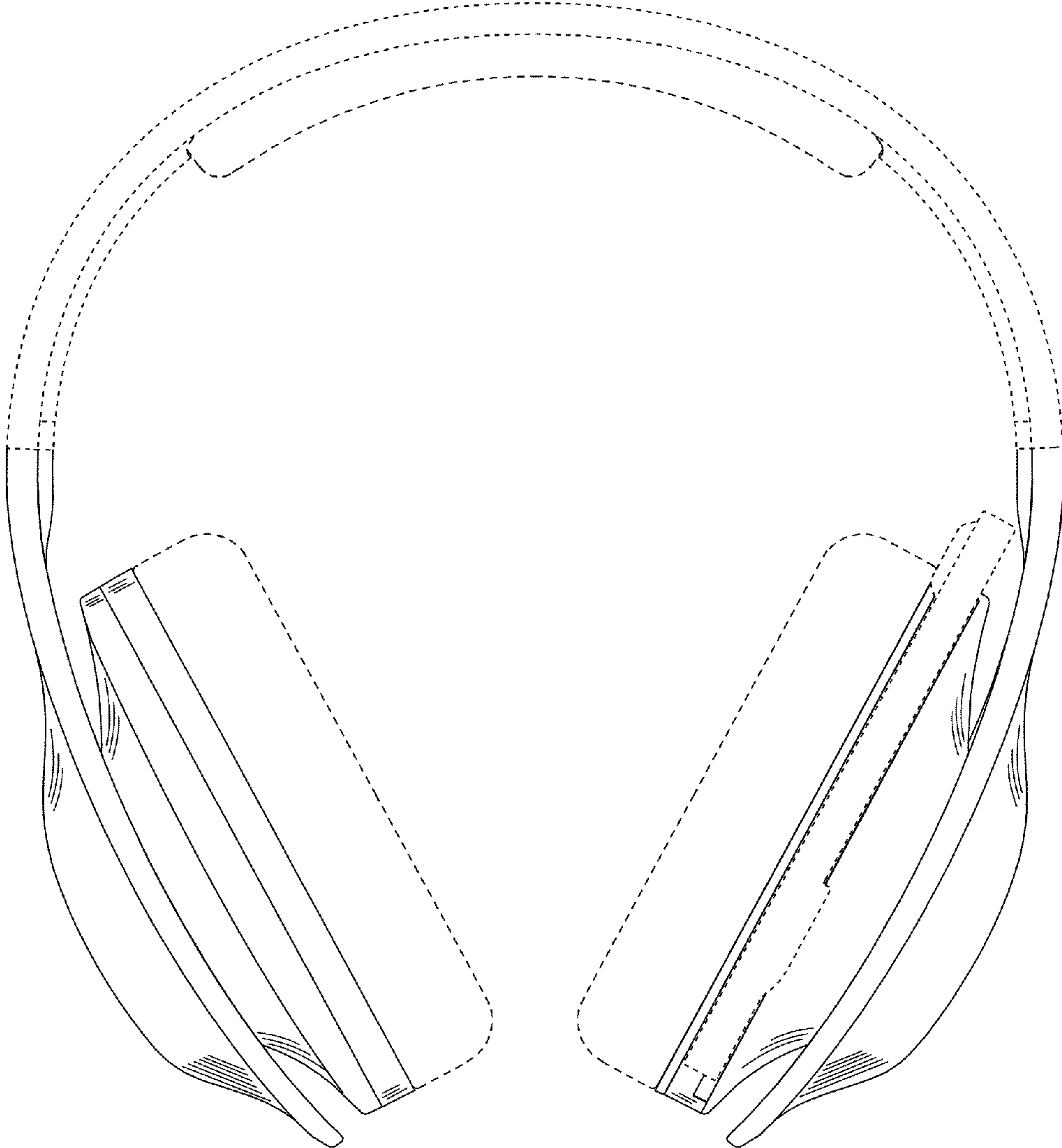


FIG. 1

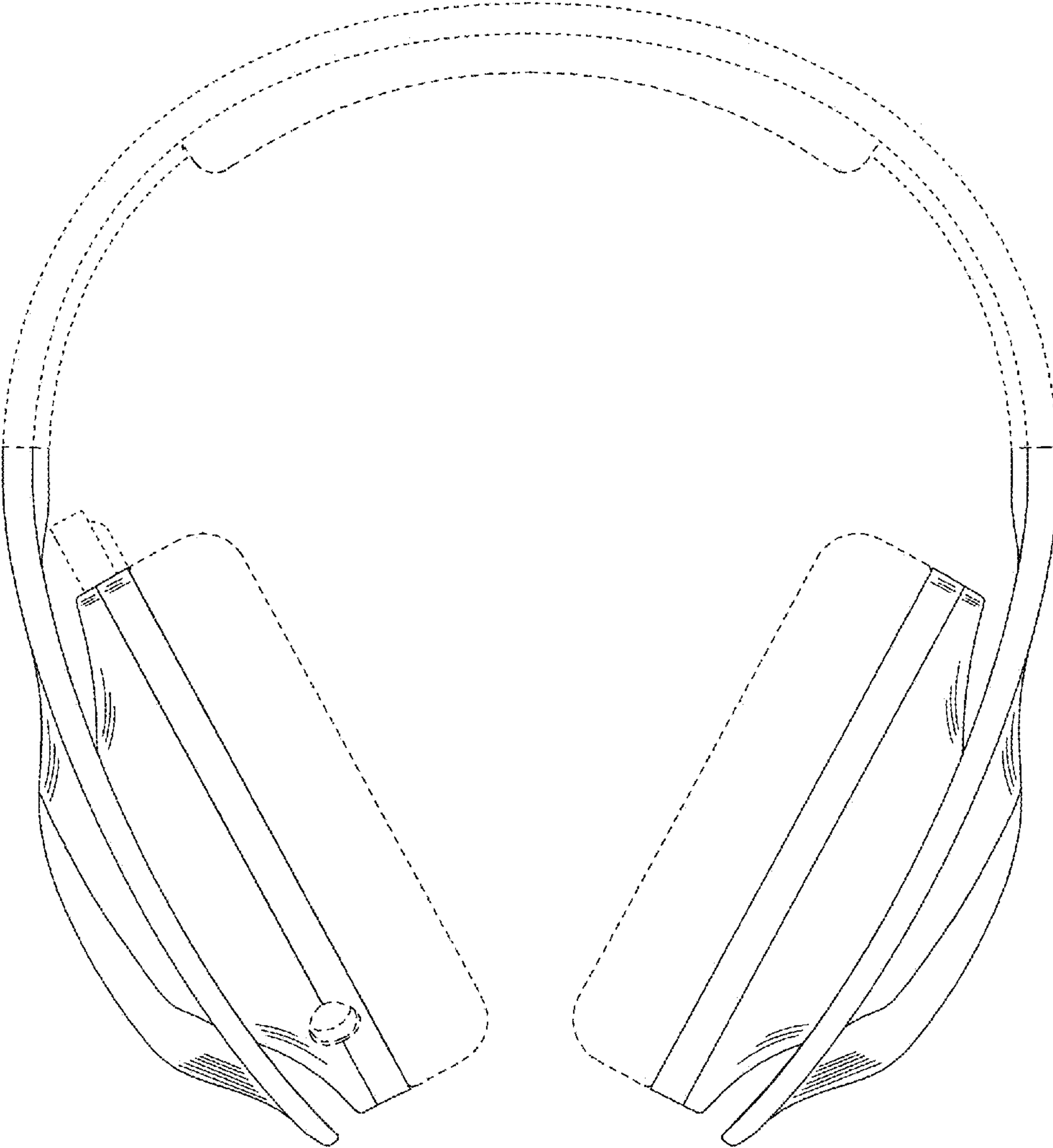


FIG. 2

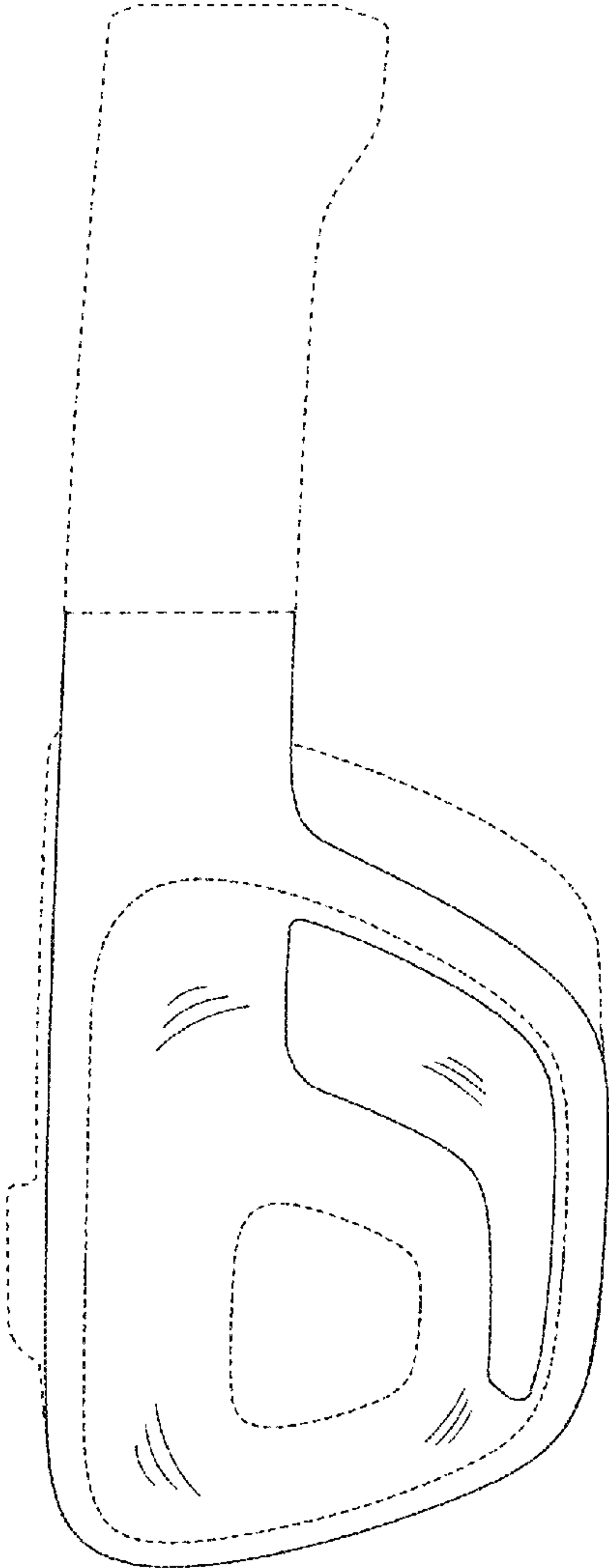


FIG. 3

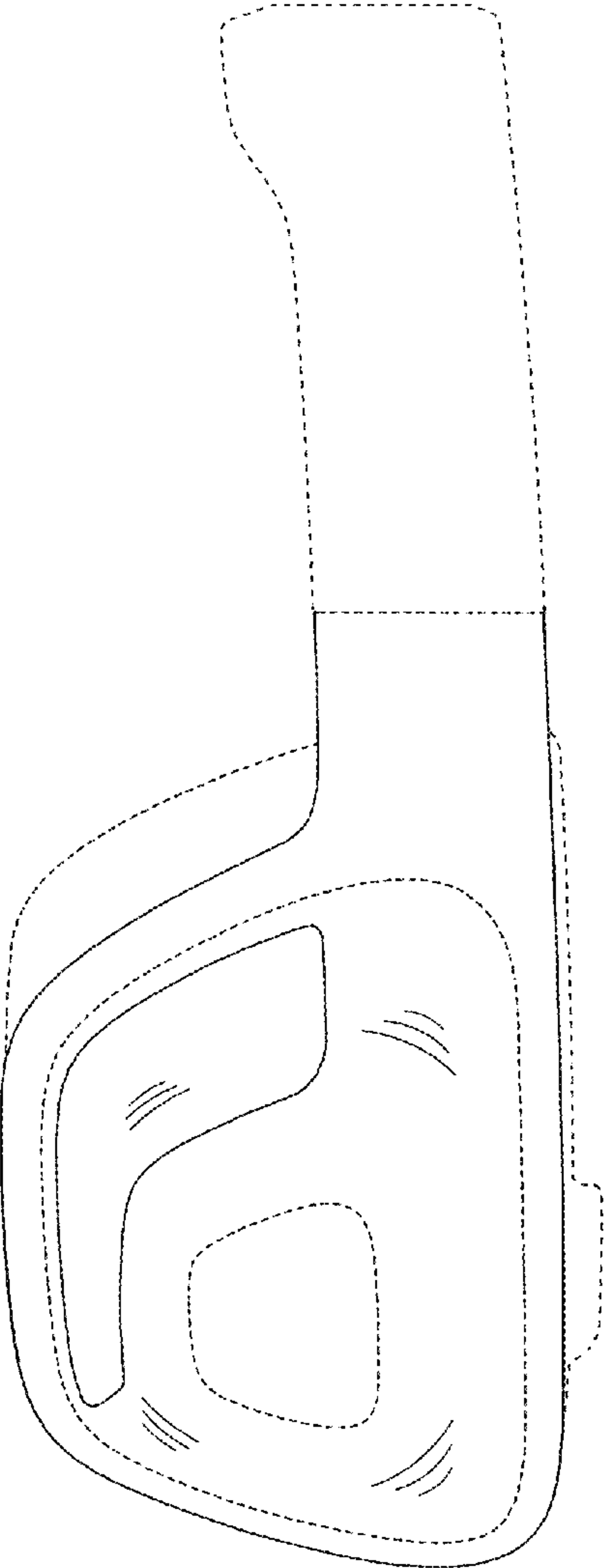


FIG. 4

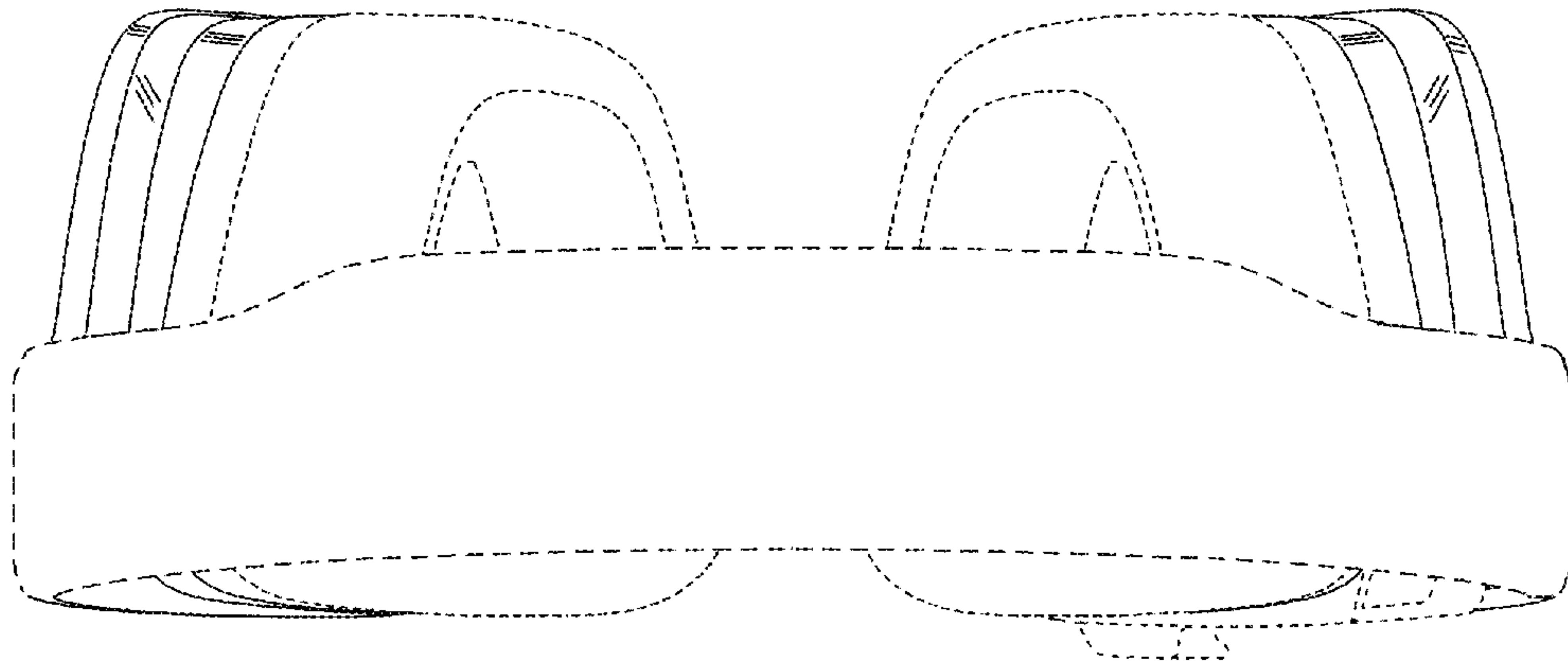


FIG. 5

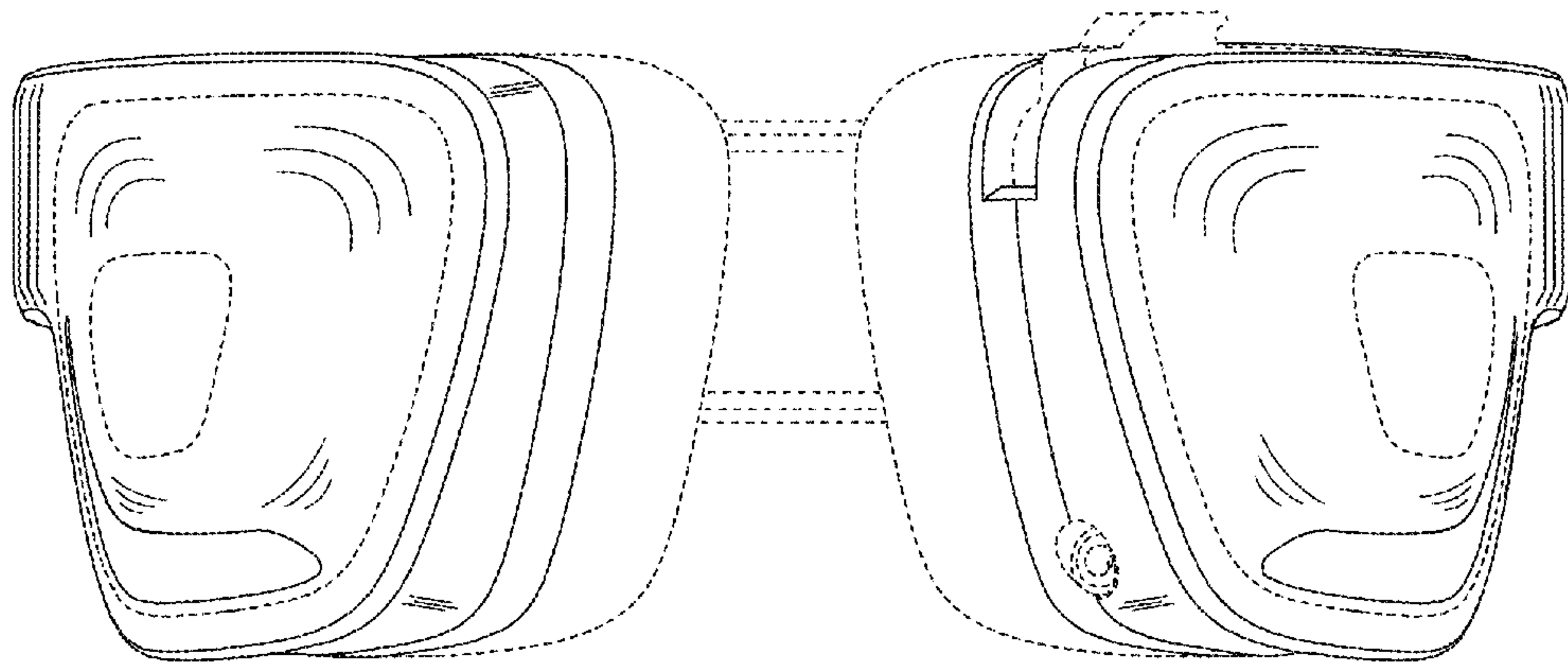


FIG. 6

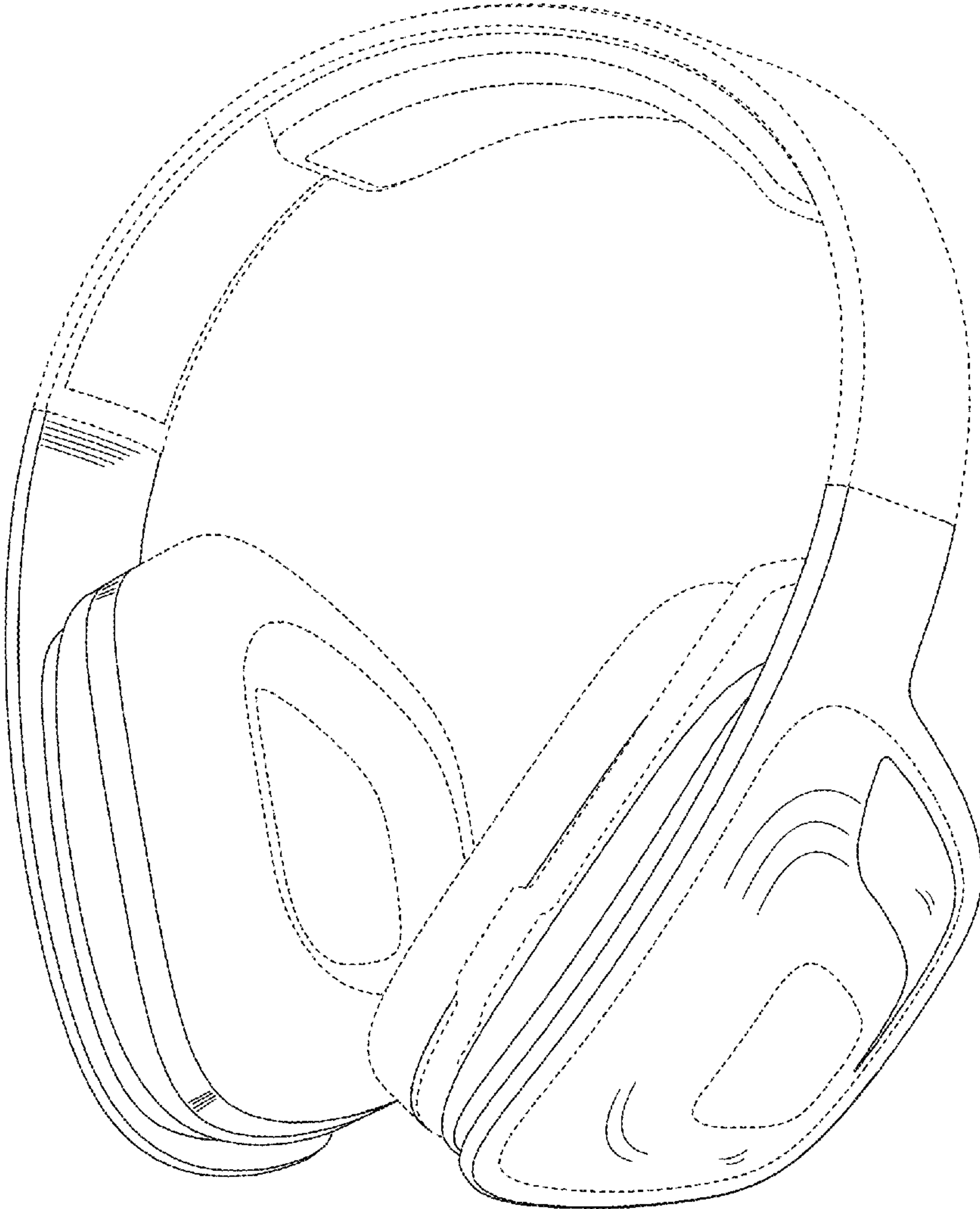


FIG. 7

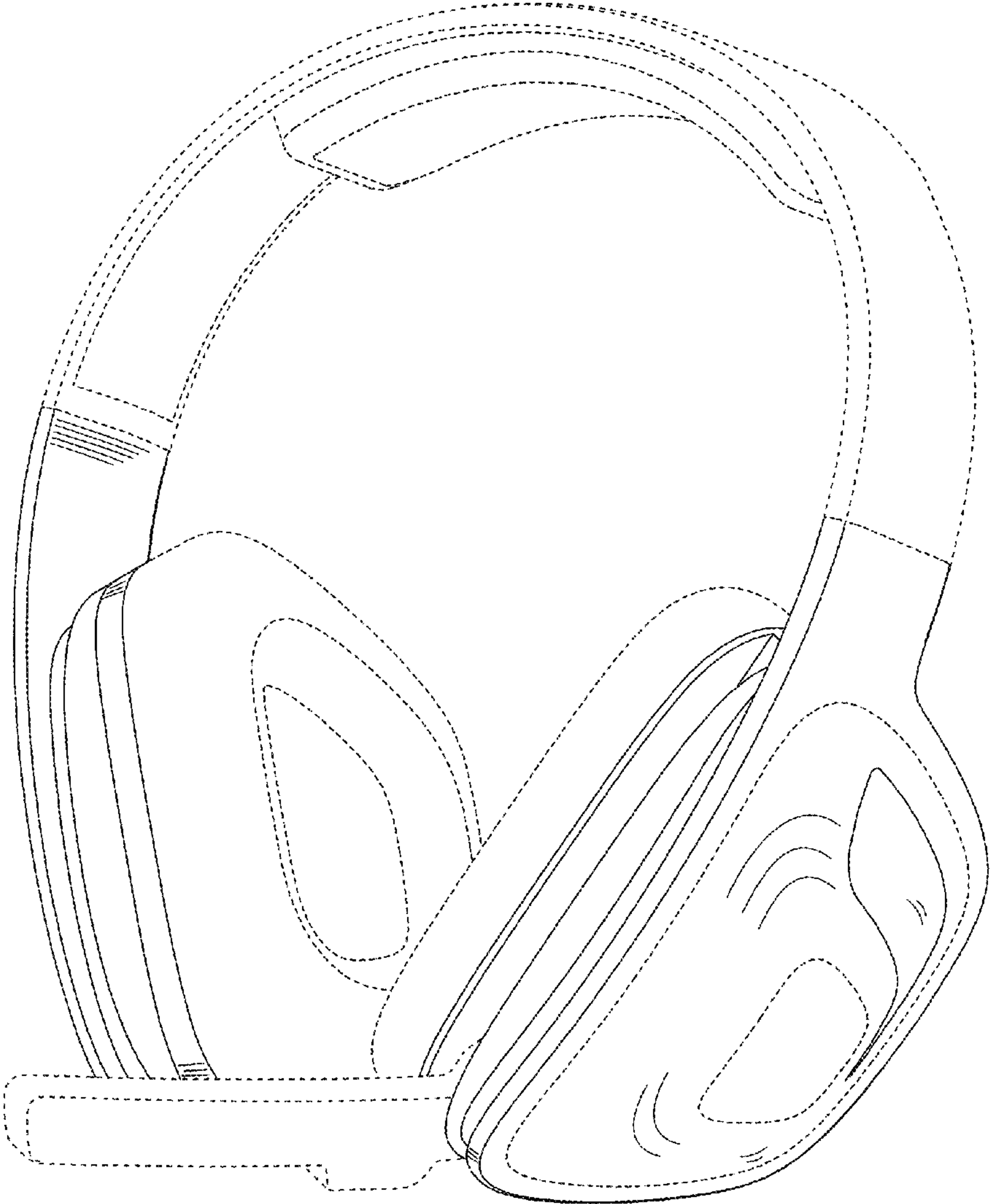


FIG. 8