



US00D699214S

(12) **United States Design Patent**
Gondo

(10) **Patent No.:** **US D699,214 S**
(45) **Date of Patent:** **** Feb. 11, 2014**

(54) **PORTION OF HEADPHONES**

(71) Applicant: **JVC Kenwood Corporation**, Yokohama (JP)

(72) Inventor: **Makoto Gondo**, Yokohama (JP)

(73) Assignee: **JVC Kenwood Corporation**, Yokohama-Shi, Kanagawa (JP)

(**) Term: **14 Years**

(21) Appl. No.: **29/445,719**

(22) Filed: **Feb. 15, 2013**

(30) **Foreign Application Priority Data**

Sep. 28, 2012 (JP) 2012023711

(51) **LOC (10) Cl.** **14-01**

(52) **U.S. Cl.**
USPC **D14/205**

(58) **Field of Classification Search**
USPC D14/205, 206; D29/112; 2/209;
181/129, 130, 135; 379/430, 431;
381/370, 380, 381, 374, 383
See application file for complete search history.

(56) **References Cited**

U.S. PATENT DOCUMENTS

| | | | | | |
|-----------|------|--------|---------------------|-------|---------|
| D477,822 | S * | 7/2003 | Komiyama | | D14/223 |
| 7,072,483 | B2 * | 7/2006 | Lenhard-Backhaus | | 381/383 |
| D538,270 | S * | 3/2007 | Kim et al. | | D14/223 |
| 7,388,960 | B2 * | 6/2008 | Kuo et al. | | 381/186 |
| 7,412,070 | B2 * | 8/2008 | Kleinschmidt et al. | | 381/374 |
| D584,293 | S * | 1/2009 | Kim et al. | | D14/223 |
| D597,070 | S * | 7/2009 | Zheng | | D14/205 |
| 7,720,246 | B2 * | 5/2010 | Wang et al. | | 381/383 |
| D616,865 | S * | 6/2010 | Marchand et al. | | D14/205 |

| | | | | | |
|-----------|------|---------|-----------------|-------|---------|
| D625,705 | S * | 10/2010 | Ohuri et al. | | D14/205 |
| D634,732 | S * | 3/2011 | Kondo et al. | | D14/205 |
| D642,554 | S * | 8/2011 | Schaal et al. | | D14/205 |
| 8,098,872 | B2 * | 1/2012 | Chang | | 381/371 |
| D656,491 | S * | 3/2012 | Nomura | | D14/223 |
| D658,630 | S * | 5/2012 | Gondo | | D14/205 |
| D661,685 | S * | 6/2012 | Lee et al. | | D14/205 |
| D662,080 | S * | 6/2012 | Carr et al. | | D14/205 |
| D673,521 | S * | 1/2013 | Yoneyama et al. | | D14/205 |
| 8,363,877 | B2 * | 1/2013 | Morisawa | | 381/383 |
| D677,243 | S * | 3/2013 | Kitayama et al. | | D14/205 |
| D683,334 | S * | 5/2013 | Gondo | | D14/223 |
| D683,717 | S * | 6/2013 | Kelly et al. | | D14/205 |
| D686,190 | S * | 7/2013 | Karacal et al. | | D14/205 |
| D686,592 | S * | 7/2013 | Gondo | | D14/205 |
| D691,579 | S * | 10/2013 | Lee et al. | | D14/205 |

* cited by examiner

Primary Examiner — Paula Greene

(74) *Attorney, Agent, or Firm* — Nath, Goldberg & Meyer; Jerald L. Meyer; Scott C. Langford

(57) **CLAIM**

The ornamental design for a portion of headphones, as shown and described.

DESCRIPTION

FIG. 1 is a perspective view of a portion of headphones showing my new design;
FIG. 2 is a front view thereof;
FIG. 3 is a rear view thereof;
FIG. 4 is a left side view thereof;
FIG. 5 is a right side view thereof;
FIG. 6 is a top plan view thereof; and,
FIG. 7 is a bottom plan view thereof.
The broken lines shown are included for the purpose of illustrating the unclaimed portions of the article and form no part of the claim.

1 Claim, 6 Drawing Sheets

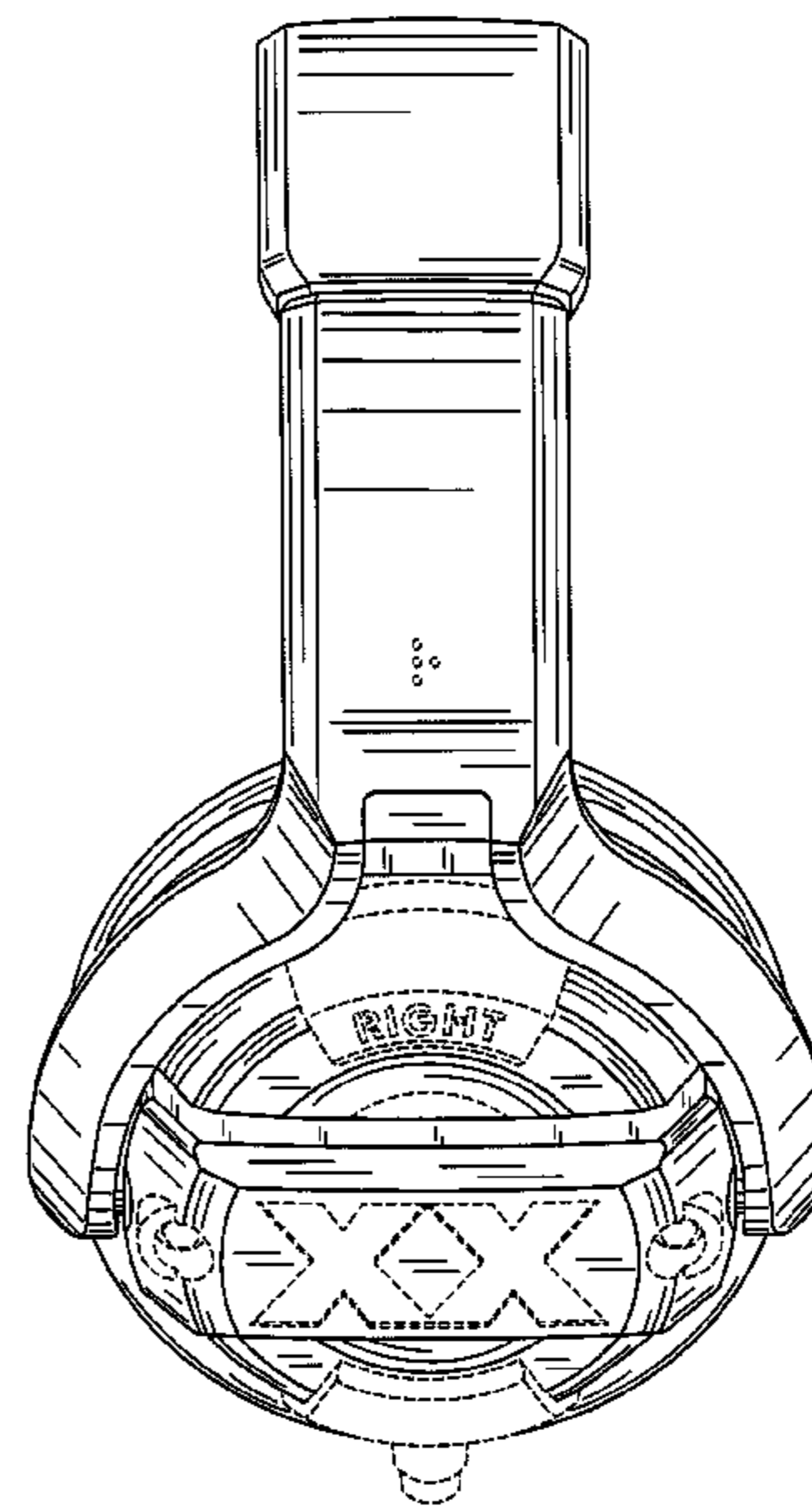
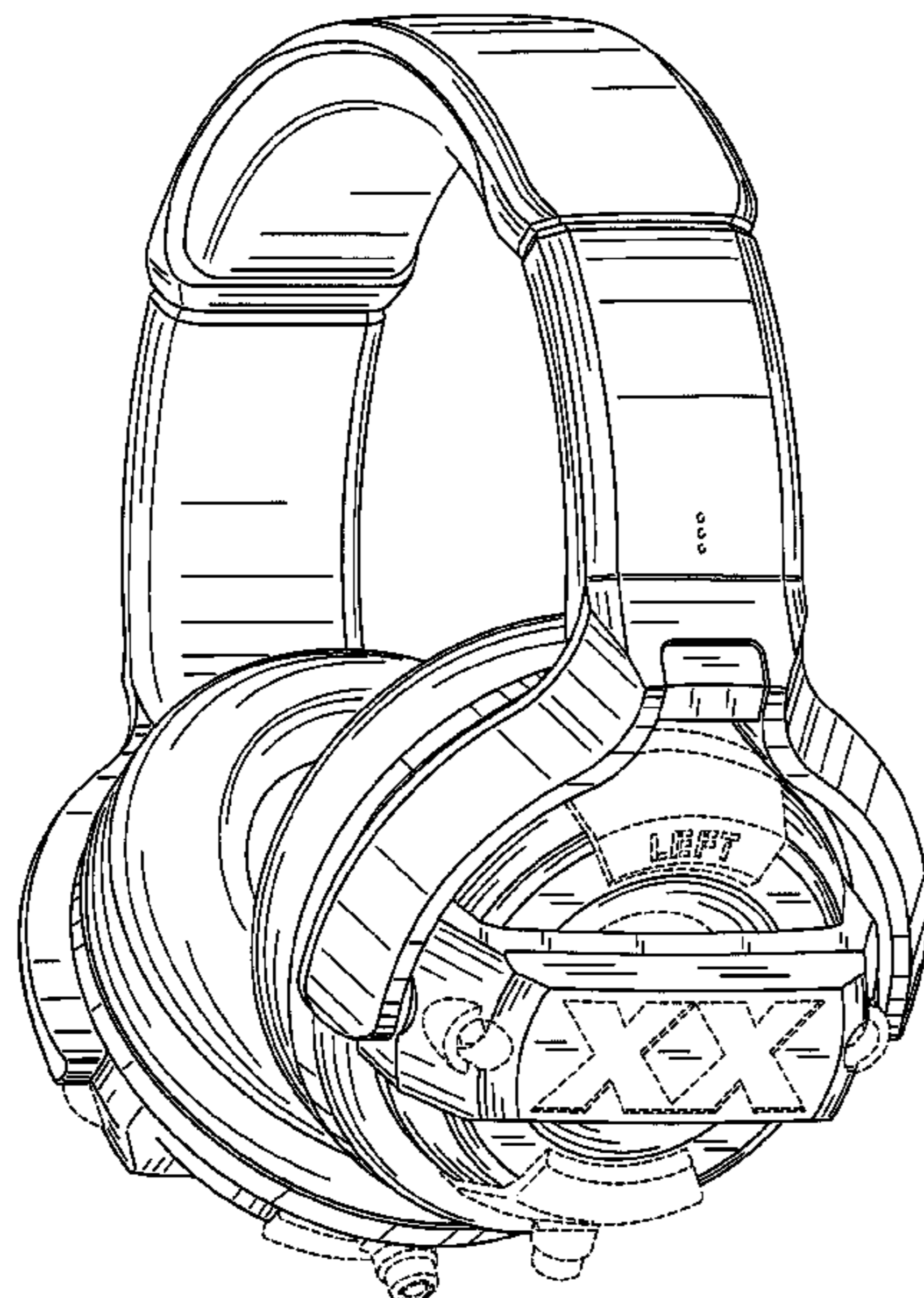


Fig.1

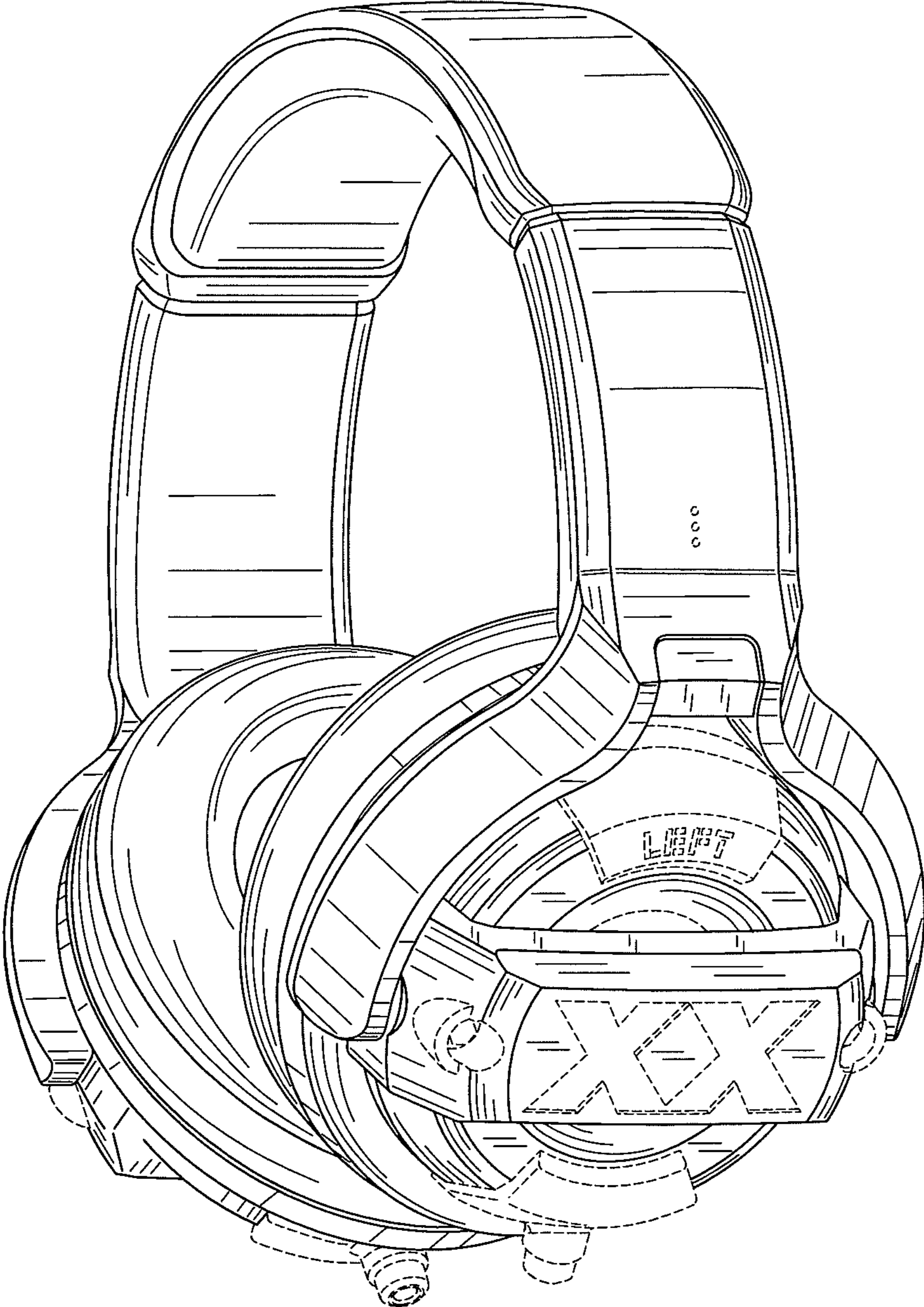


Fig.2



Fig.3



Fig.4

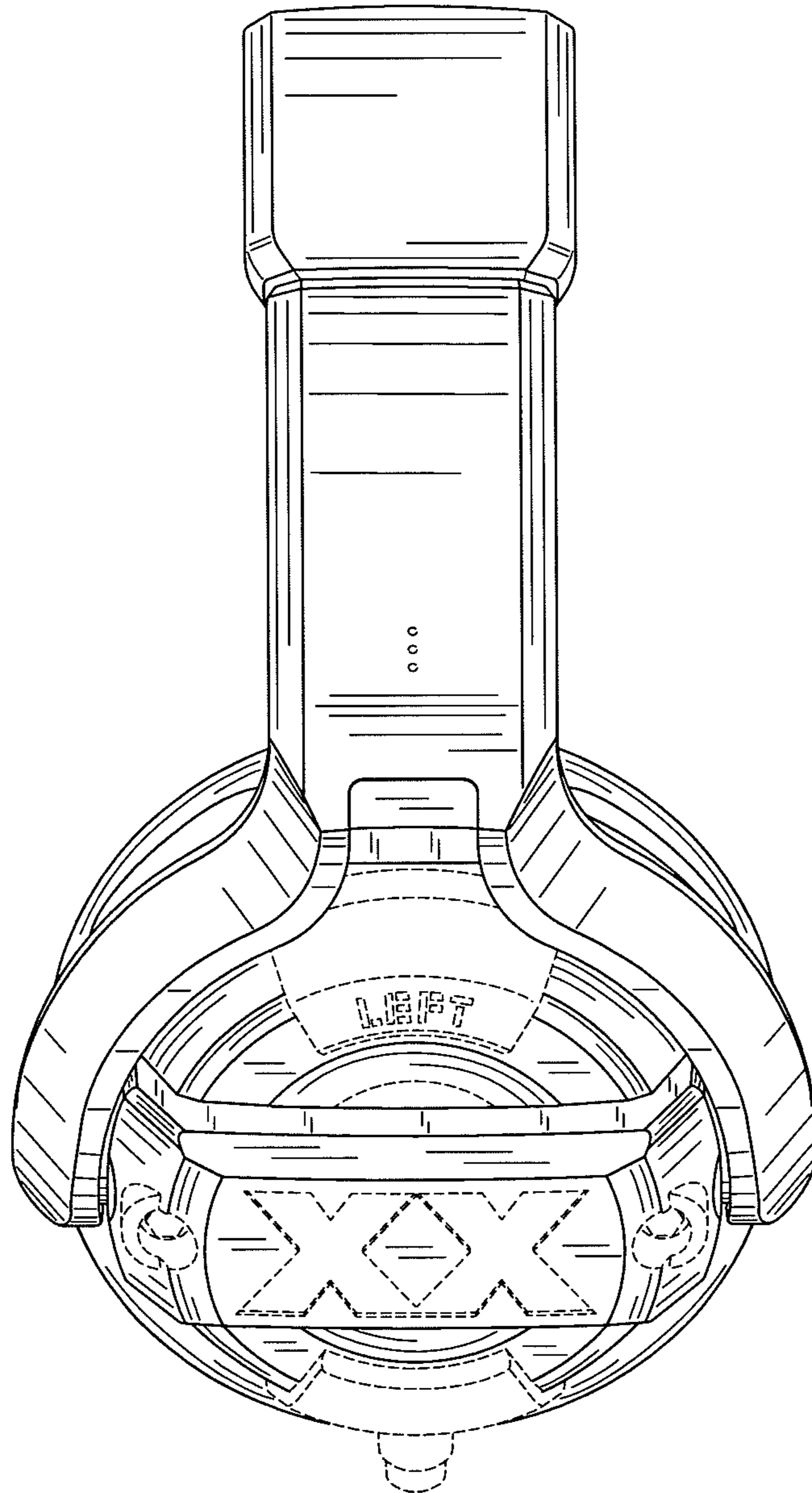


Fig.5

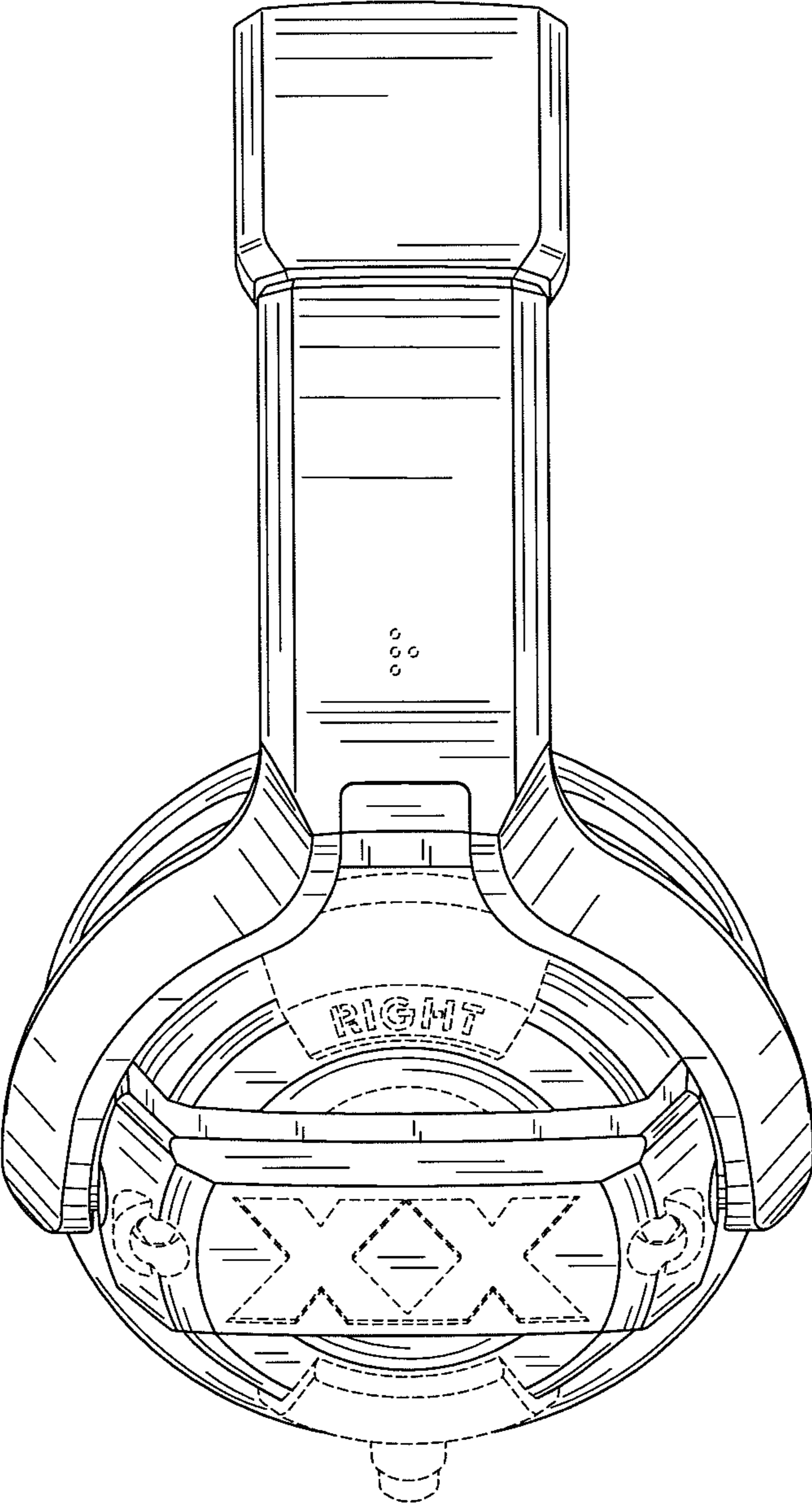


Fig.6

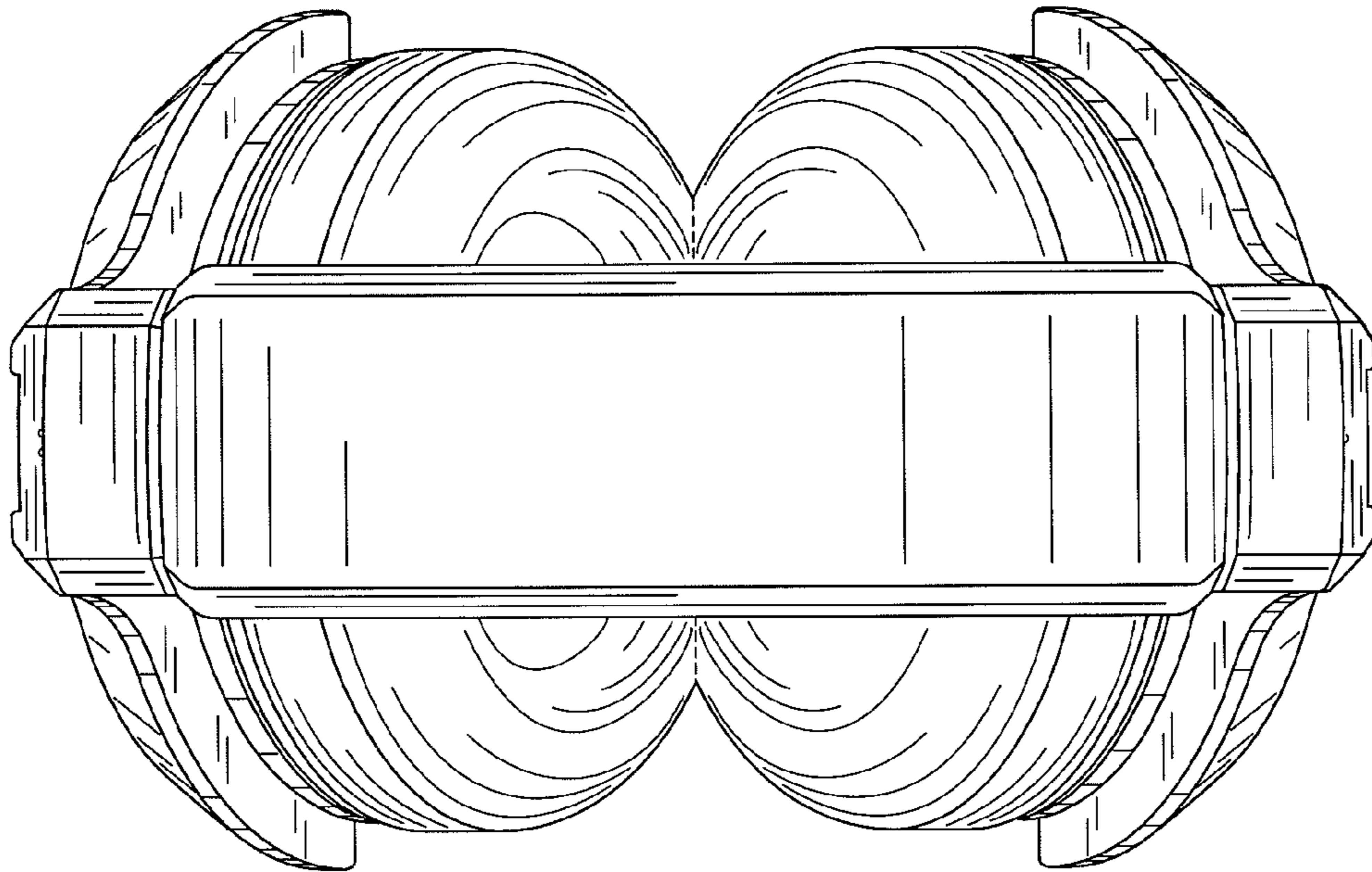


Fig.7

