

US00D699212S

(12) **United States Design Patent**
Tanaka

(10) **Patent No.:** **US D699,212 S**

(45) **Date of Patent:** **** Feb. 11, 2014**

(54) **AMPLIFIER**

(71) Applicant: **Yamaha Corporation**, Hamamatsu (JP)

(72) Inventor: **Soichiro Tanaka**, Hamamatsu (JP)

(73) Assignee: **Yamaha Corporation**, Shizuoka (JP)

(**) Term: **14 Years**

(21) Appl. No.: **29/445,100**

(22) Filed: **Feb. 7, 2013**

(30) **Foreign Application Priority Data**

Aug. 10, 2012 (JP) 2012-019401

(51) **LOC (10) Cl.** **14-03**

(52) **U.S. Cl.**
USPC **D14/188; D14/257**

(58) **Field of Classification Search**
USPC D14/168, 169, 179, 188, 194-198, 217,
D14/257, 265, 299, 496; 330/1 R, 3, 4, 250;
381/86, 120; 455/344-351
See application file for complete search history.

(56) **References Cited**

U.S. PATENT DOCUMENTS

D355,197 S * 2/1995 Farinelli et al. D14/257
D373,589 S * 9/1996 Peterson et al. D14/257

D376,153 S * 12/1996 Larson et al. D14/257
D382,880 S * 8/1997 Cienkus et al. D14/240
D445,099 S * 7/2001 Benders D14/135
D540,787 S * 4/2007 Potosky et al. D14/257
D553,611 S * 10/2007 Gan D14/214
D568,287 S * 5/2008 Wada D14/168
D599,789 S * 9/2009 Shimizu D14/257

* cited by examiner

Primary Examiner — Keli L Hill

(74) *Attorney, Agent, or Firm* — Sughrue Mion, PLLC

(57) **CLAIM**

The ornamental design for an amplifier, as shown and described.

DESCRIPTION

FIG. 1 is a front perspective view of the front, top and right side of an amplifier showing my new design;

FIG. 2 is a front view thereof;

FIG. 3 is a rear view thereof;

FIG. 4 is a left side view thereof;

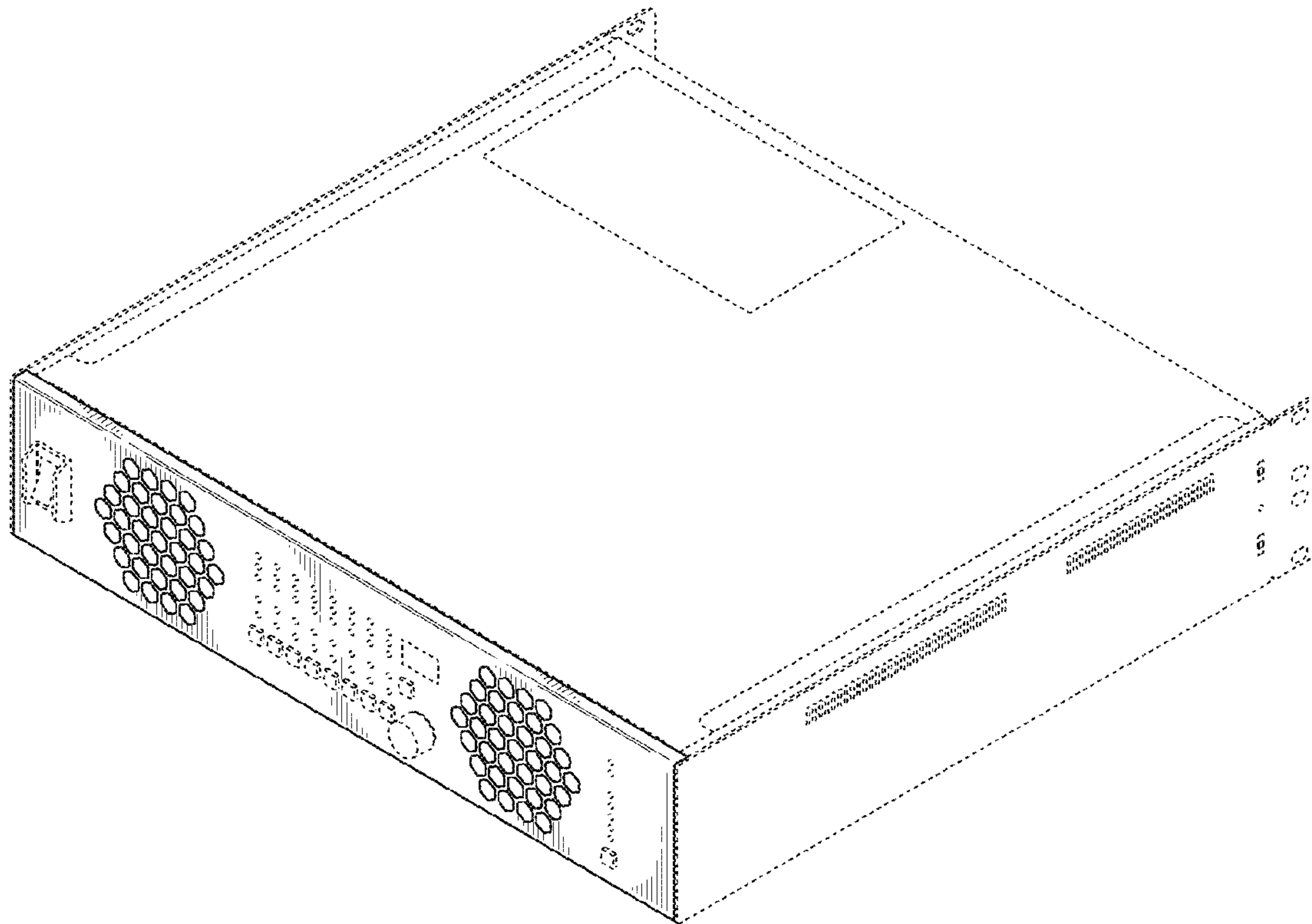
FIG. 5 is a right side view thereof;

FIG. 6 is a top plan view thereof; and,

FIG. 7 is a bottom view thereof.

The broken line showing of the amplifier is included for the purpose of illustrating portions of the amplifier and forms no part of the claimed design.

1 Claim, 4 Drawing Sheets



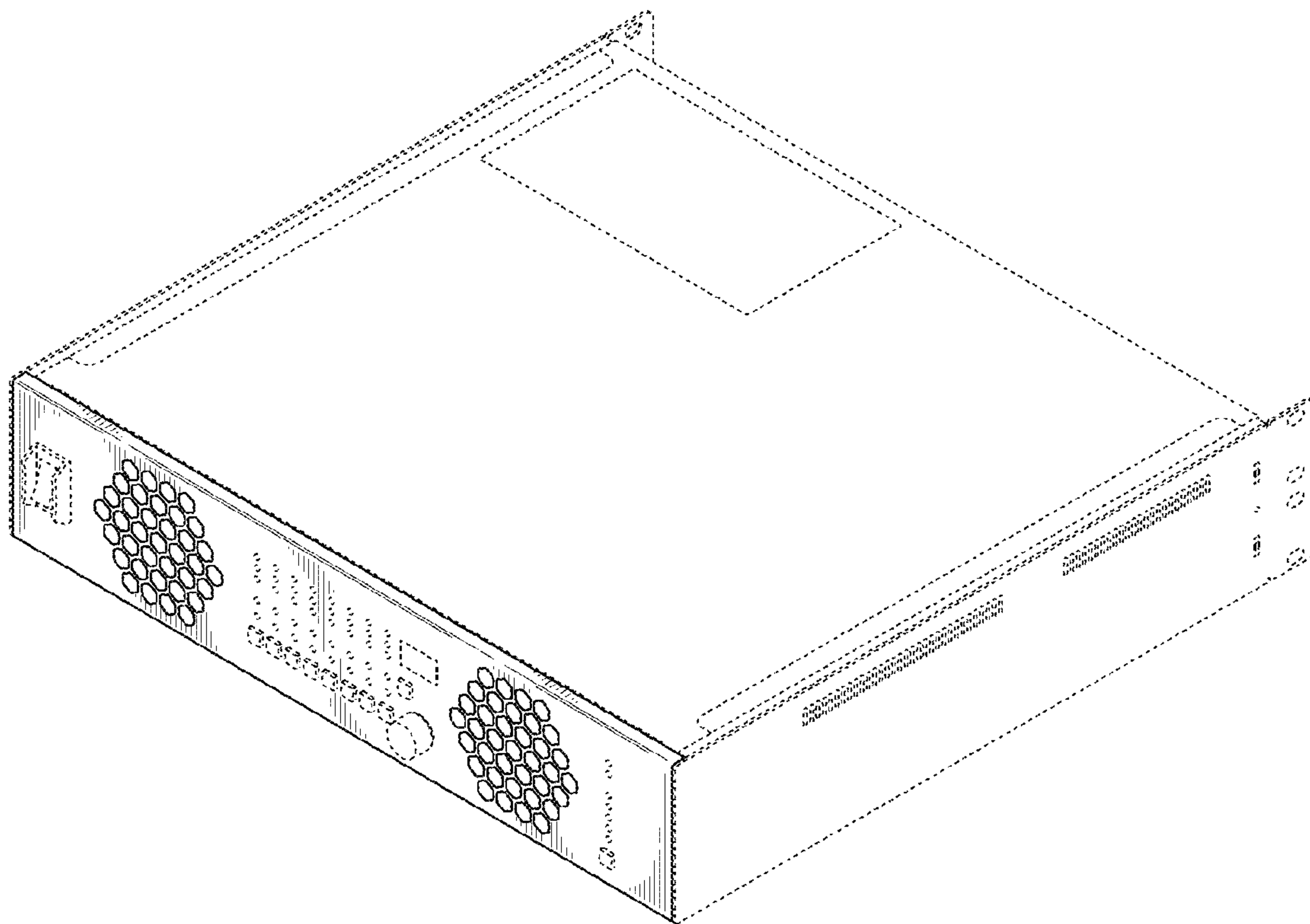


FIG. 1

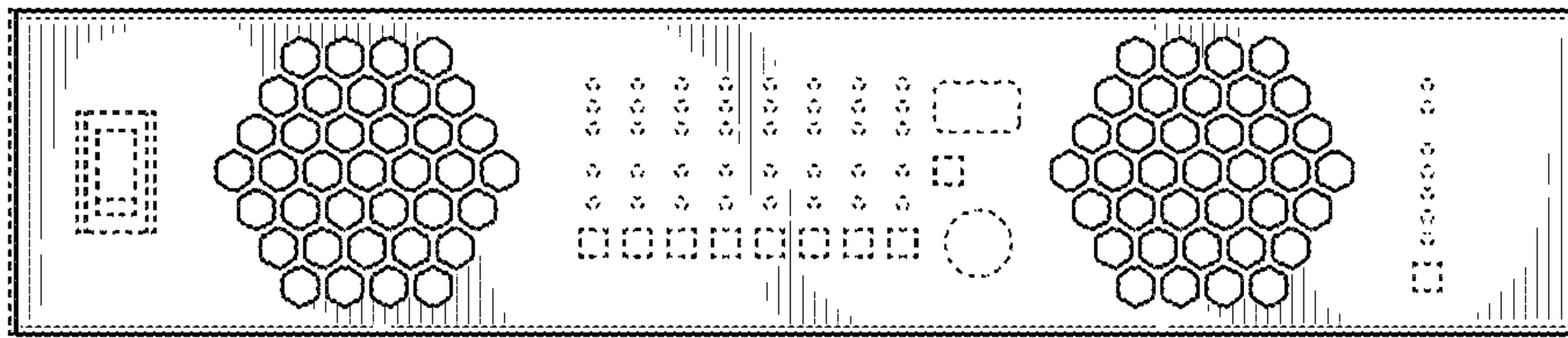


FIG. 2

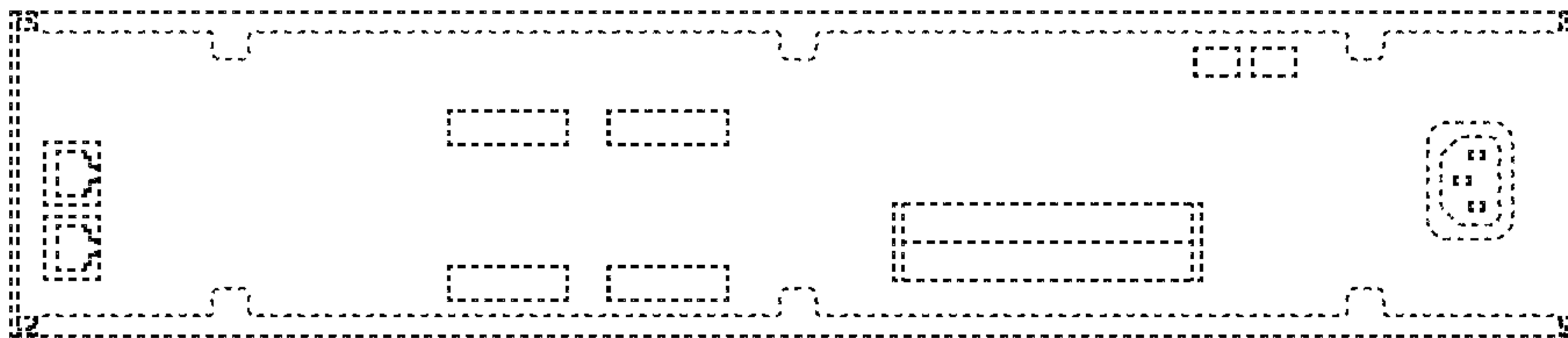


FIG. 3

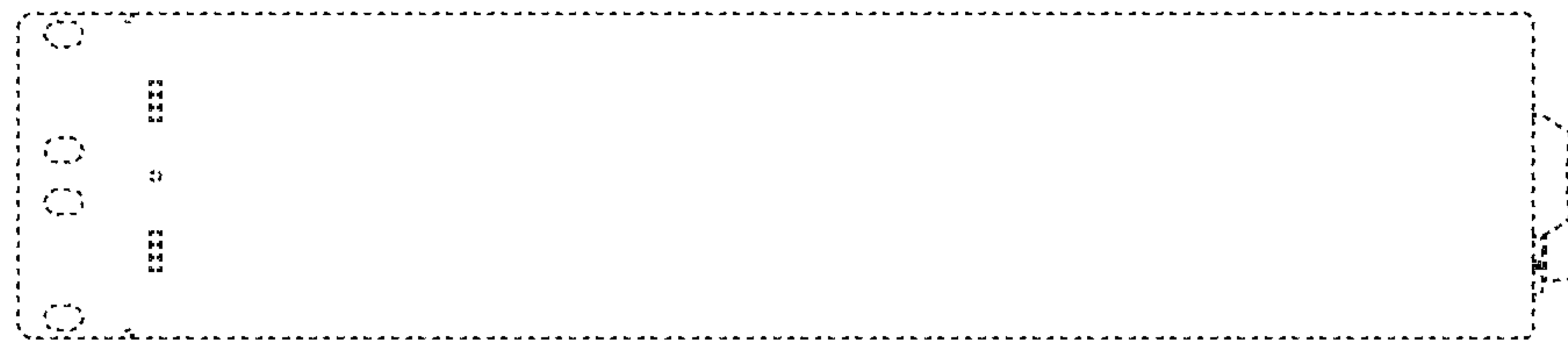


FIG. 4

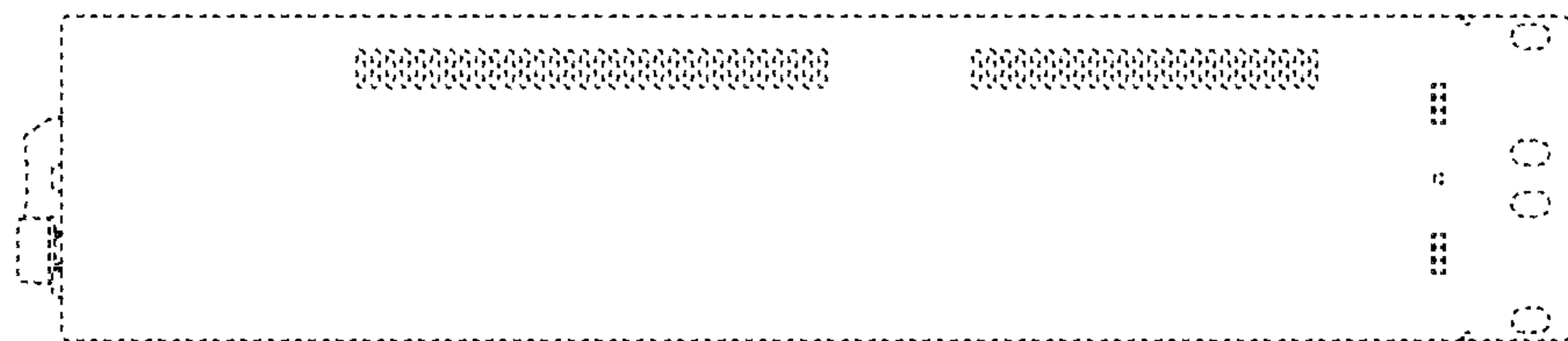


FIG. 5

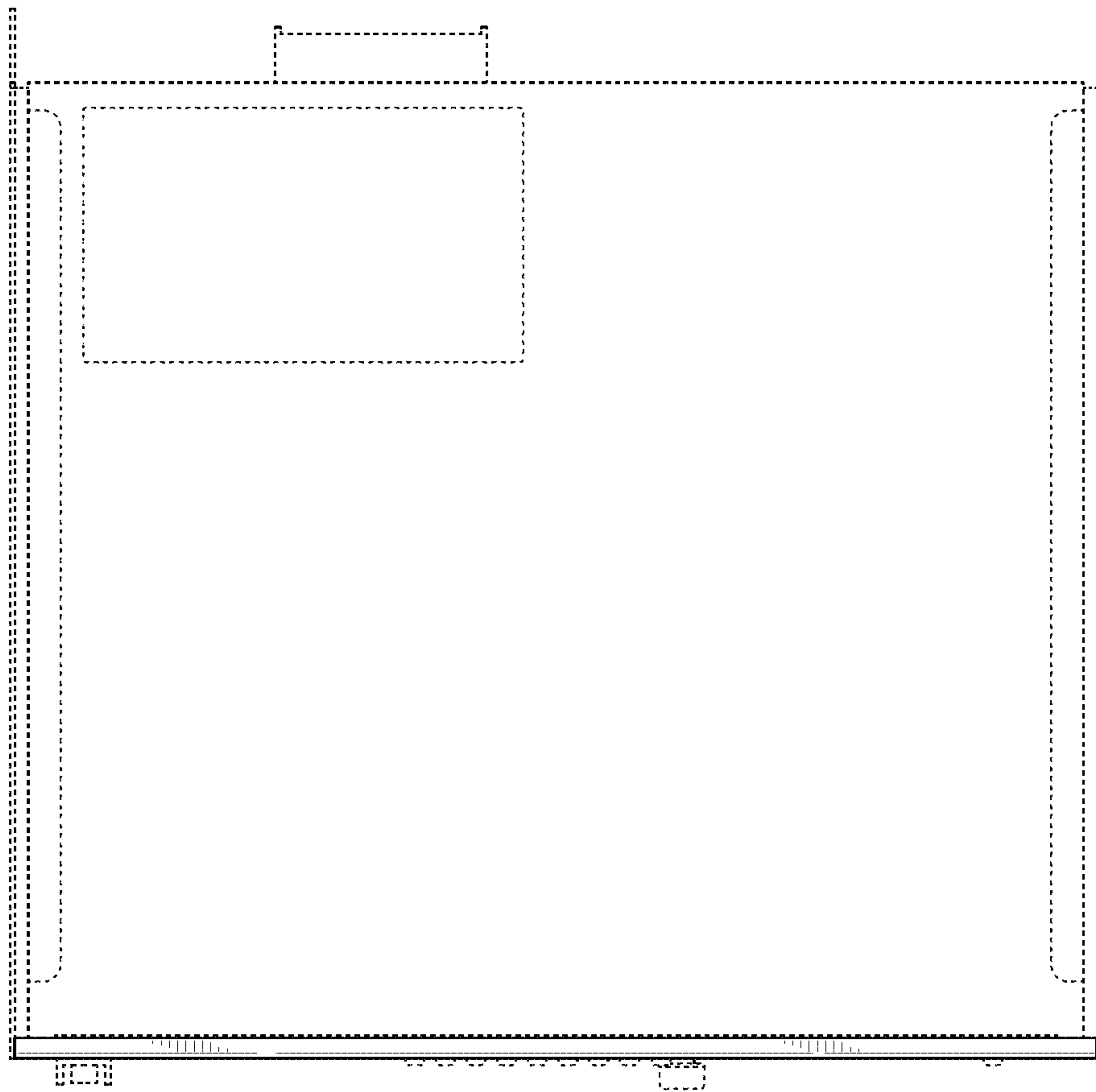


FIG. 6

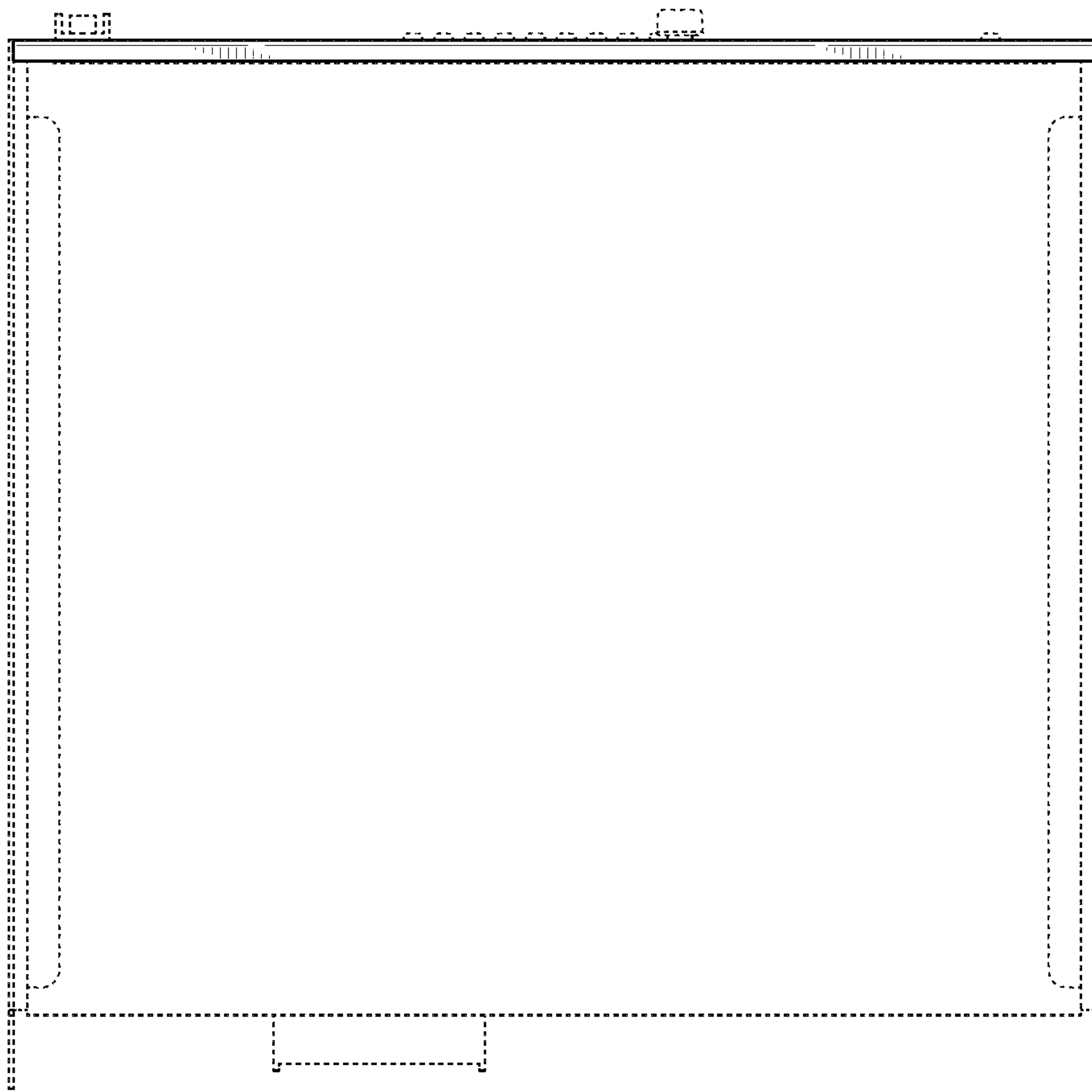


FIG. 7