



US00D699210S

(12) **United States Design Patent**
Naito

(10) **Patent No.:** **US D699,210 S**

(45) **Date of Patent:** **** Feb. 11, 2014**

(54) **AMPLIFIER**

(75) Inventor: **Takahiro Naito**, Tokyo (JP)

(73) Assignee: **Sony Corporation**, Tokyo (JP)

(**) Term: **14 Years**

(21) Appl. No.: **29/421,287**

(22) Filed: **Jun. 26, 2012**

(30) **Foreign Application Priority Data**

Dec. 29, 2011 (CN) 2011 3 0504548

(51) **LOC (10) Cl.** **14-03**

(52) **U.S. Cl.**
USPC **D14/188**

(58) **Field of Classification Search**
USPC D14/162, 167-169, 175, 179, 188,
D14/194-198, 217, 257, 265, 299, 496;
330/1 R, 3, 4, 250; 381/86, 120;
455/344-351

See application file for complete search history.

(56) **References Cited**

U.S. PATENT DOCUMENTS

D400,206 S * 10/1998 Mahgerefteh D14/188
D415,493 S * 10/1999 Shieber D14/188
D449,288 S 10/2001 Sogabe

D513,247 S * 12/2005 Matsuoka D14/188
D548,722 S 8/2007 Suzuki
D565,021 S * 3/2008 Wilson D14/188
D574,809 S 8/2008 Yagihashi
D592,636 S 5/2009 Shiono
D610,125 S * 2/2010 Ichikawa et al. D14/188
D656,120 S * 3/2012 Sasaki D14/188

* cited by examiner

Primary Examiner — Keli L Hill

(74) *Attorney, Agent, or Firm* — Rader, Fishman & Grauer PLLC

(57) **CLAIM**

The ornamental design for an amplifier, as shown and described.

DESCRIPTION

FIG. 1 is a front, top, right perspective view of an amplifier showing my new design;

FIG. 2 is a front, bottom, right perspective view thereof;

FIG. 3 is a front elevational view thereof;

FIG. 4 is a left side elevational view thereof;

FIG. 5 is a right side elevational view thereof;

FIG. 6 is a top plan view thereof; and,

FIG. 7 is a bottom plan view thereof.

The broken lines shown are included for the purpose of illustrating portions of the amplifier that form no part of the claim.

1 Claim, 5 Drawing Sheets

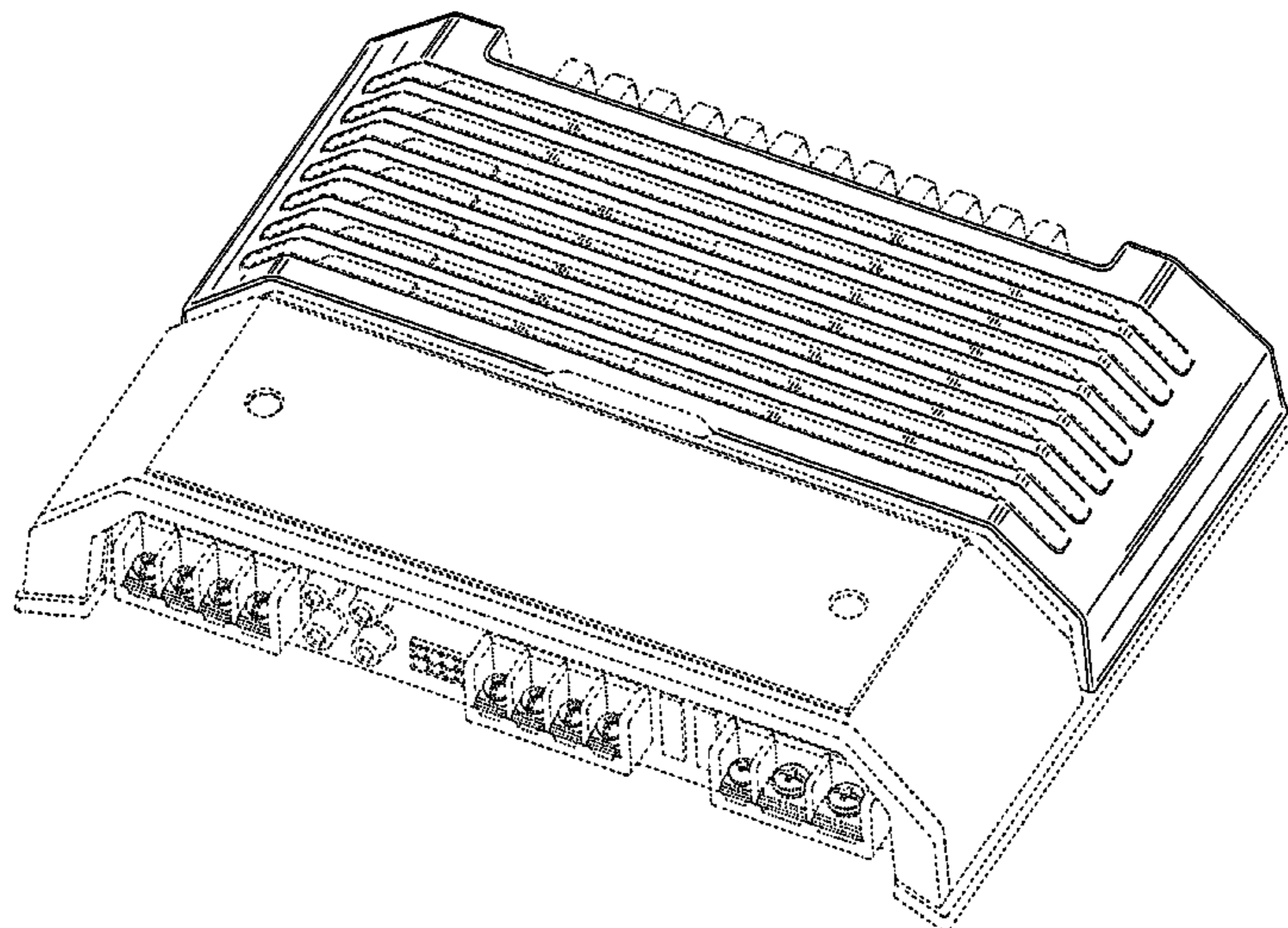
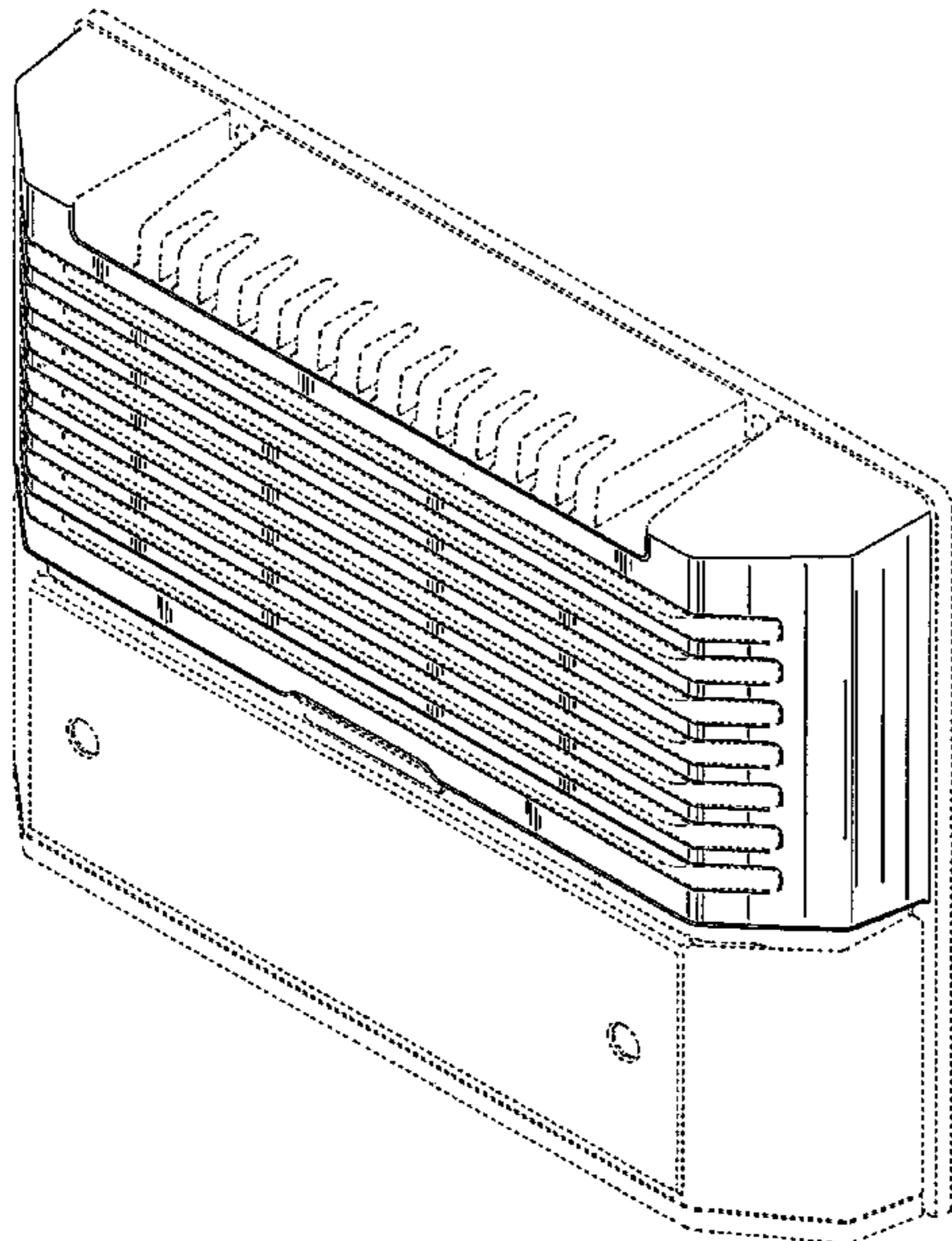


FIG.1

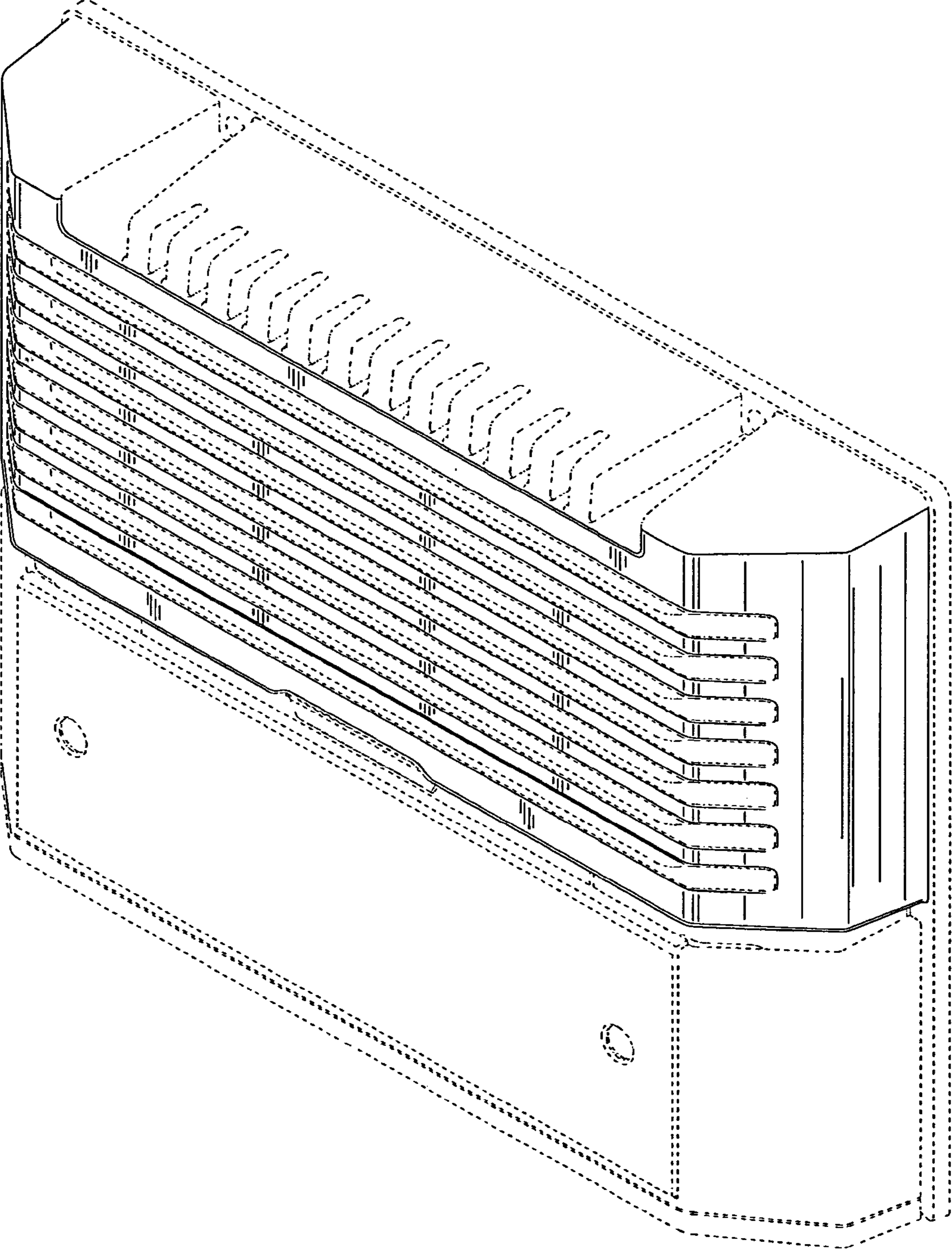


FIG.2

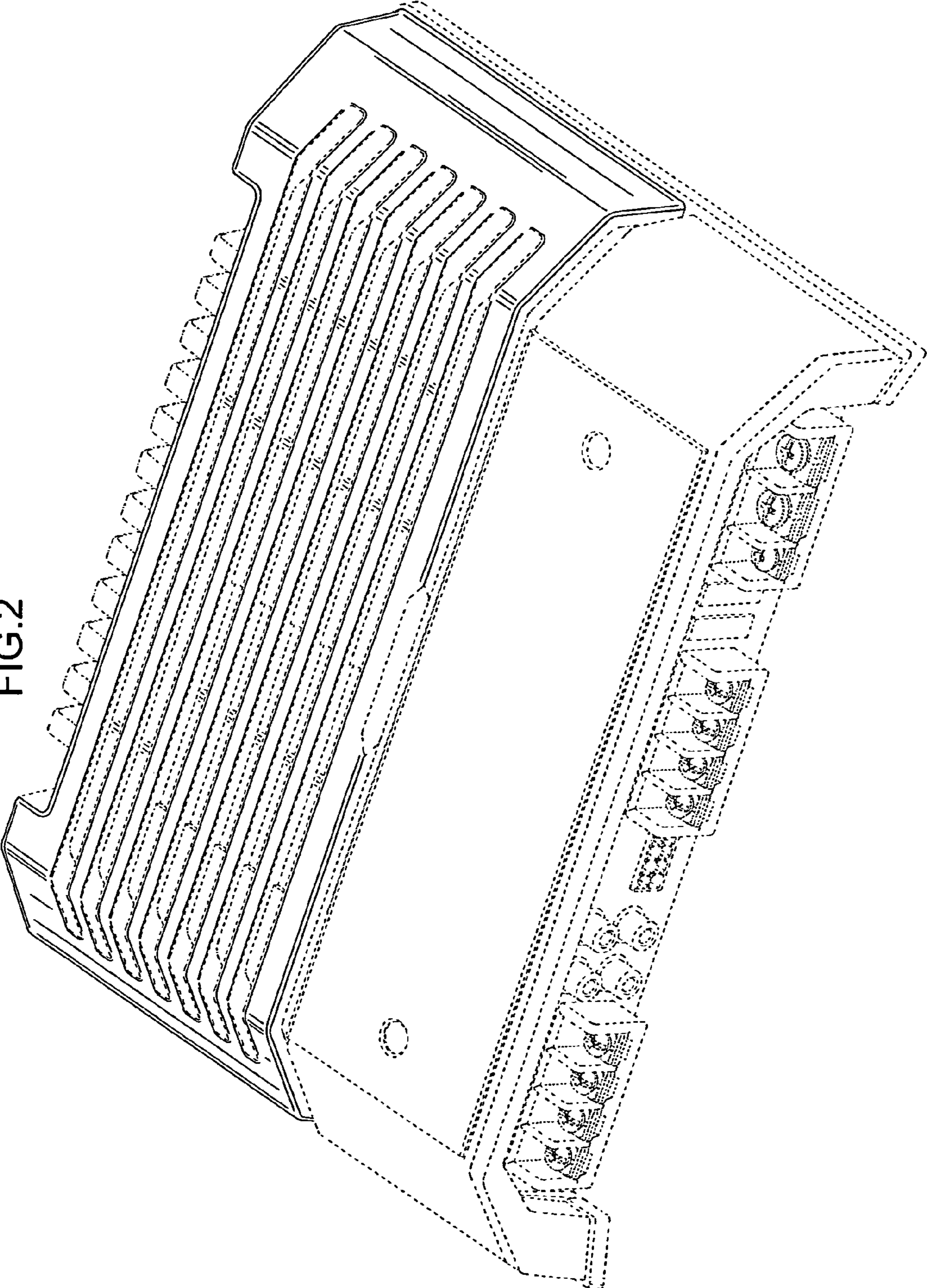


FIG.3

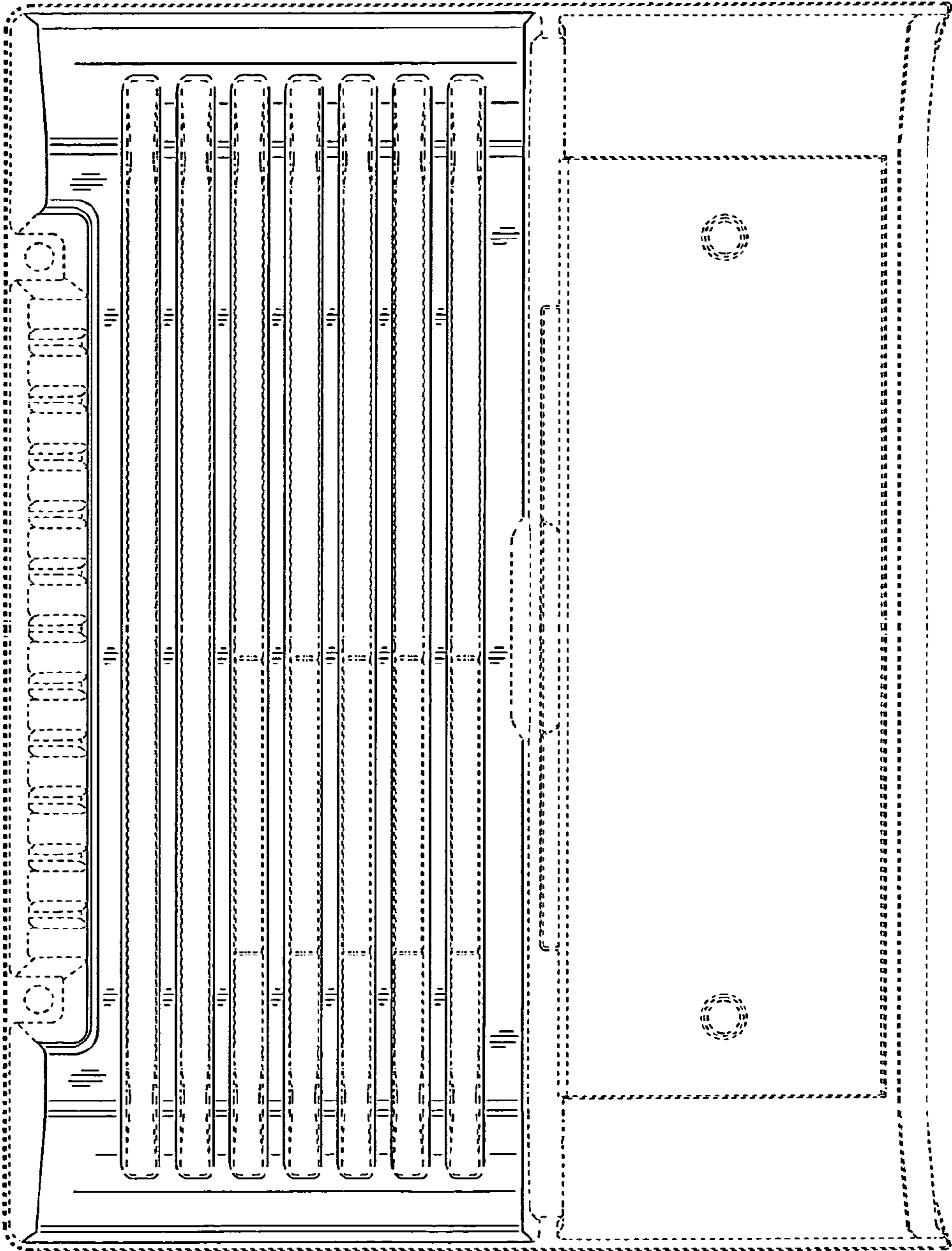


FIG.4

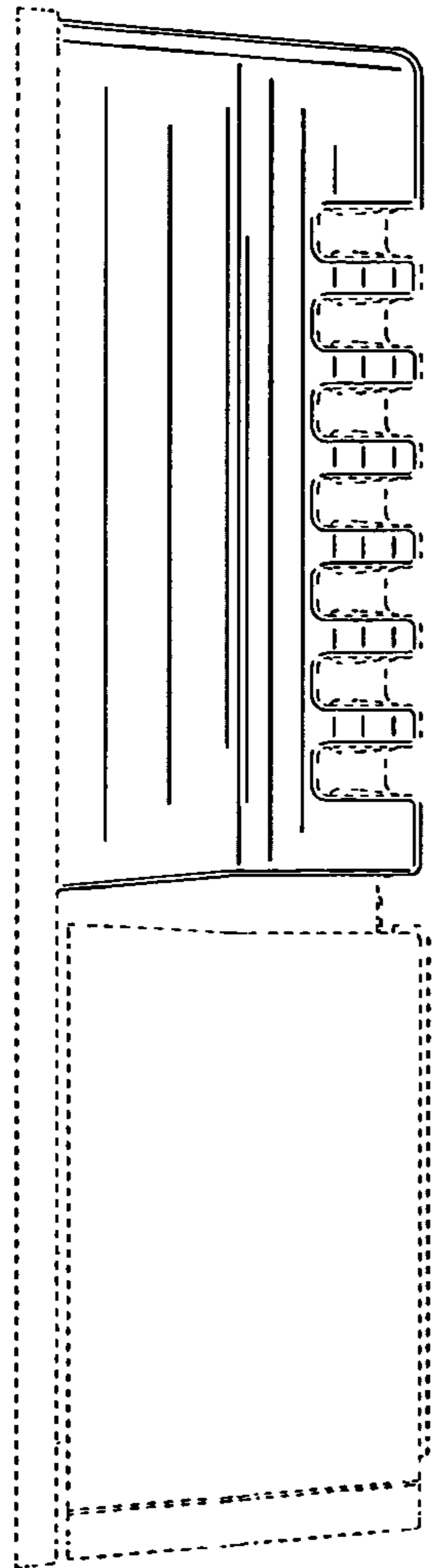


FIG.5

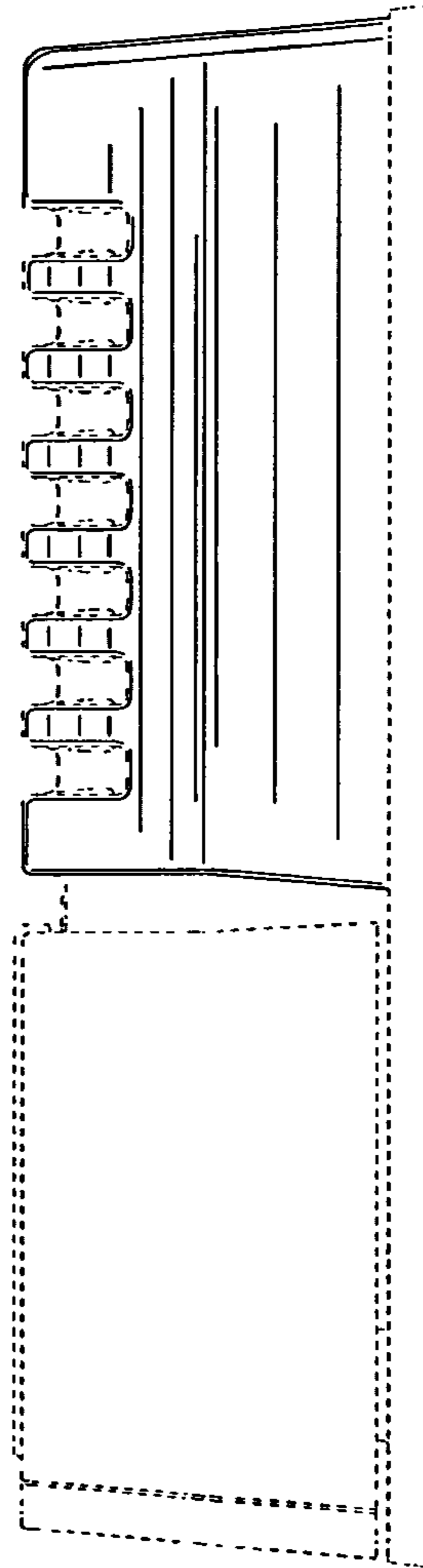


FIG.6

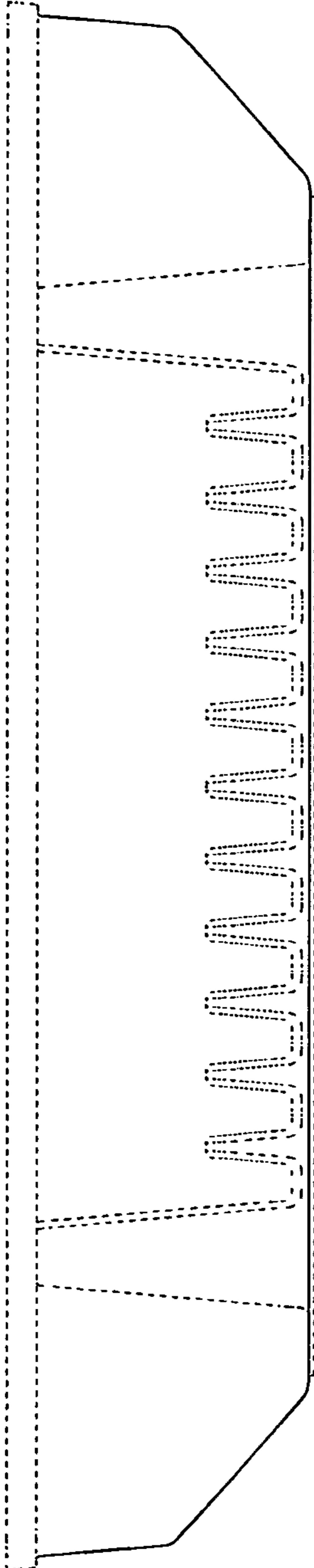


FIG.7

