

US00D699202S

(12) **United States Design Patent**
Rose

(10) **Patent No.:** **US D699,202 S**
(45) **Date of Patent:** **** Feb. 11, 2014**

(54) **PARKING LOT POWER PEDESTAL**

(71) Applicant: **Stanley J. Rose**, Calmar (CA)

(72) Inventor: **Stanley J. Rose**, Calmar (CA)

(**) Term: **14 Years**

(21) Appl. No.: **29/434,007**

(22) Filed: **Oct. 9, 2012**

(30) **Foreign Application Priority Data**

Apr. 19, 2012 (CA) 145300

(51) **LOC (10) Cl.** **13-99**

(52) **U.S. Cl.**
USPC **D13/199**

(58) **Field of Classification Search**
USPC D13/199, 101, 102, 107, 110, 118, 124,
D13/139.4, 152, 184; 361/600, 601, 603,
361/641, 657, 658
See application file for complete search history.

(56) **References Cited**

U.S. PATENT DOCUMENTS

1,709,190	A	4/1929	Rank et al.	
3,234,903	A	2/1966	Vara, Sr.	
D235,555	S *	6/1975	Plummer D13/152
4,137,662	A	2/1979	Baumer	
4,307,436	A *	12/1981	Eckart et al. 361/652
4,569,499	A	2/1986	Seely	
4,691,892	A	9/1987	Grewe et al.	

D299,821	S *	2/1989	Dively D13/139.5
D311,519	S *	10/1990	Reali D13/152
D322,425	S *	12/1991	Simonson et al. D13/152
5,379,716	A	1/1995	Helland	
5,788,405	A	8/1998	Beard	
5,803,353	A	9/1998	Fisher	

* cited by examiner

Primary Examiner — Derrick Holland

(74) *Attorney, Agent, or Firm* — Davis & Bujold, PLLC;
Michael J. Bujold

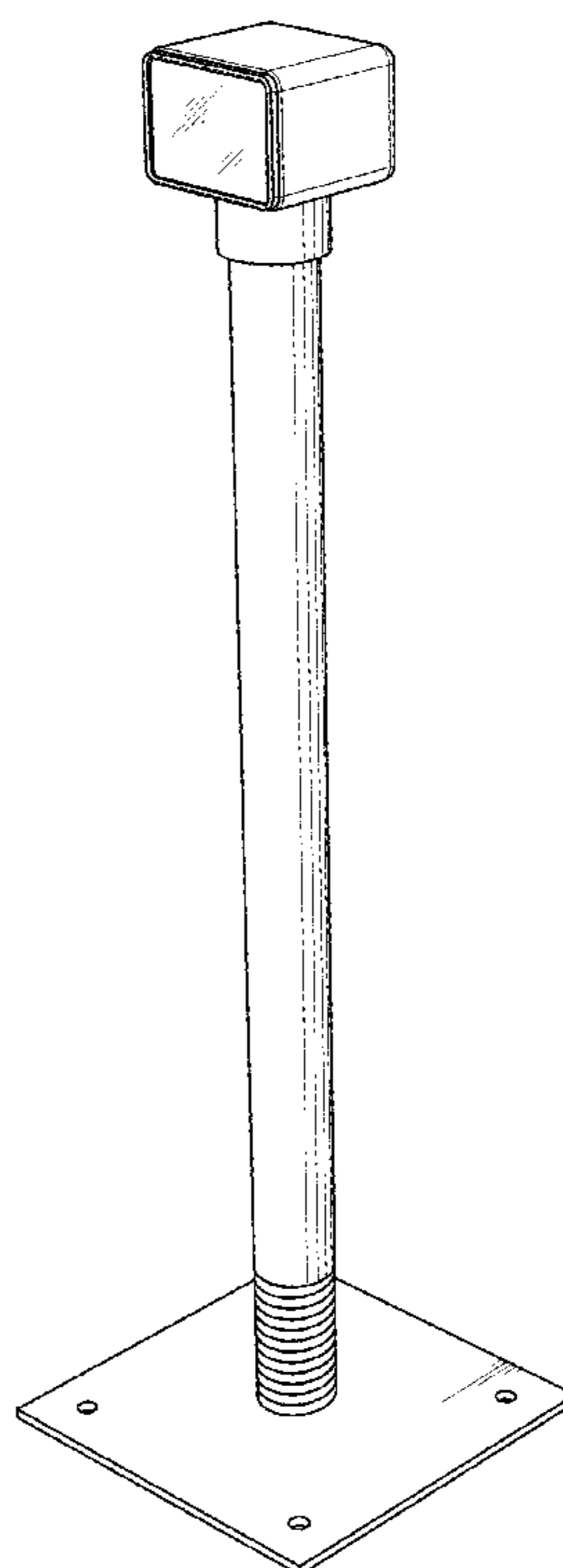
(57) **CLAIM**

The ornamental design for a parking lot power pedestal, as shown and described.

DESCRIPTION

FIG. 1 is a front perspective view of the parking lot power pedestal;
FIG. 2 is a rear perspective view of the parking lot power pedestal;
FIG. 3 is a front elevation view of the parking lot power pedestal;
FIG. 4 is a side elevation view of the parking lot power pedestal;
FIG. 5 is a rear elevation view of the parking lot power pedestal;
FIG. 6 is a top plan view of the parking lot power pedestal;
and,
FIG. 7 is a bottom plan view of the parking lot power pedestal.

1 Claim, 4 Drawing Sheets



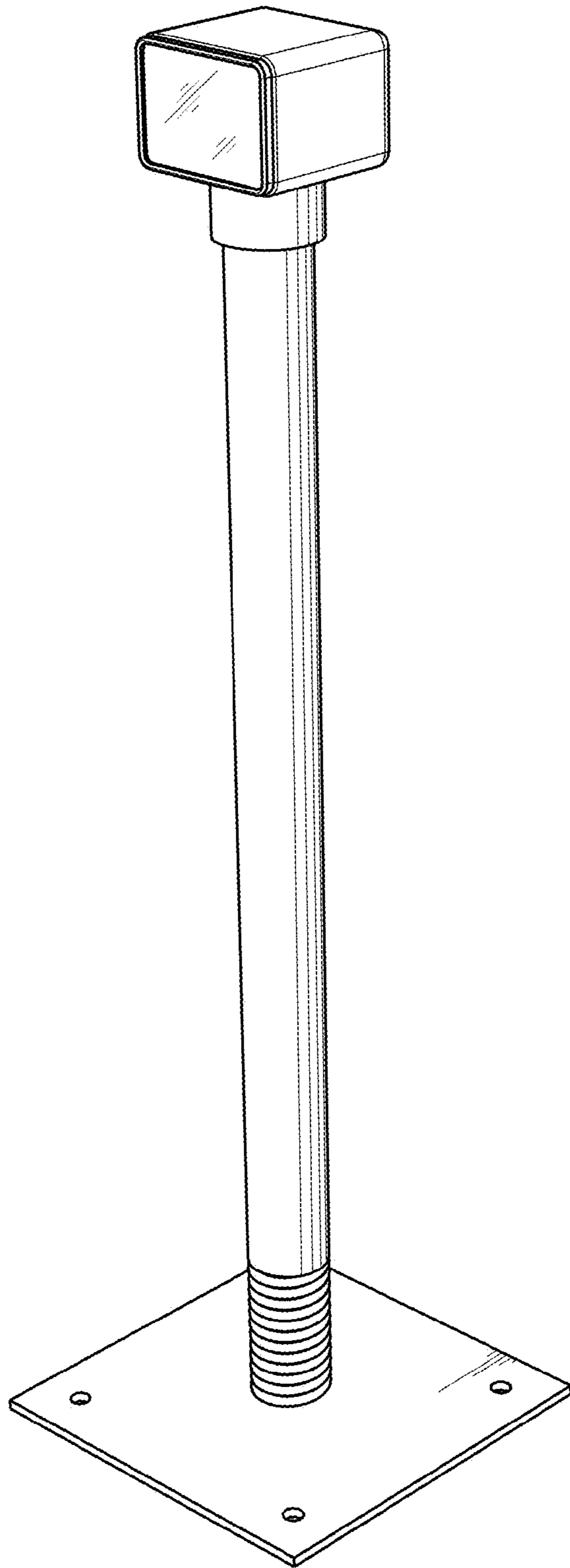


FIG. 1

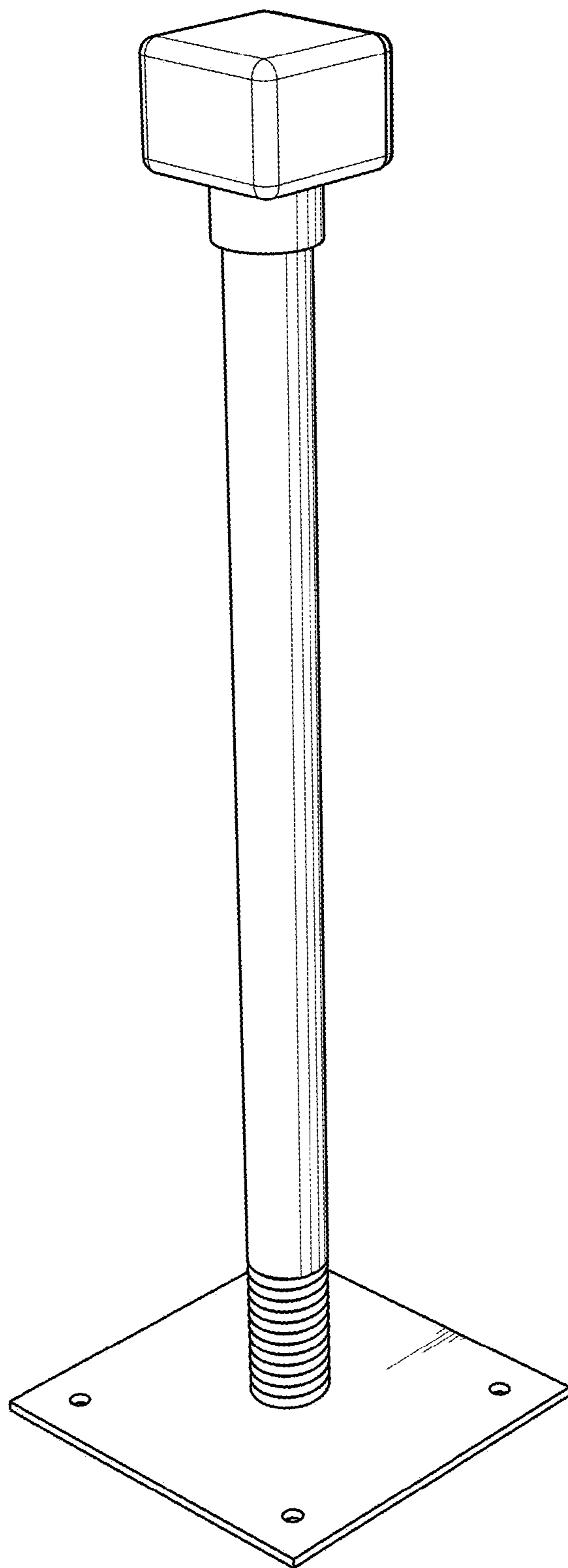


FIG. 2

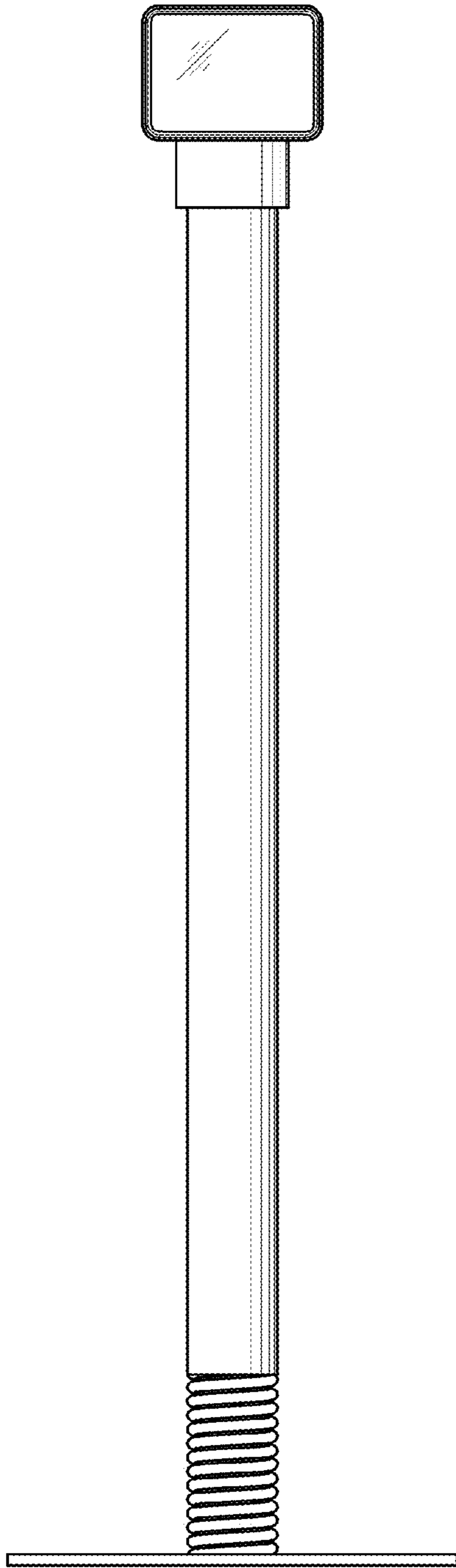


FIG. 3

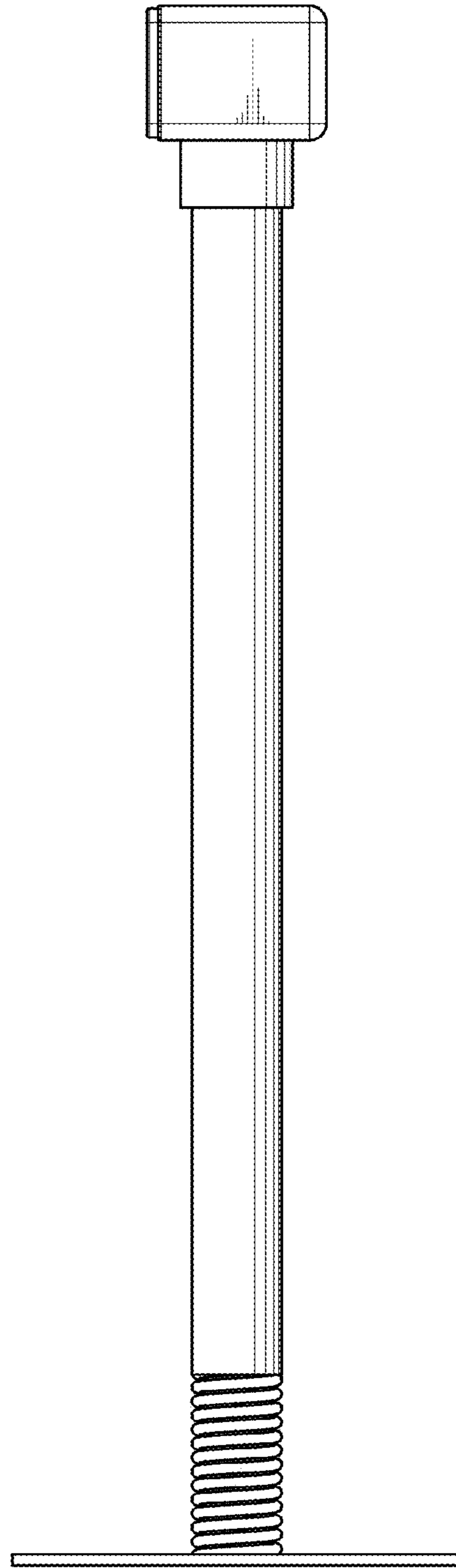


FIG. 4

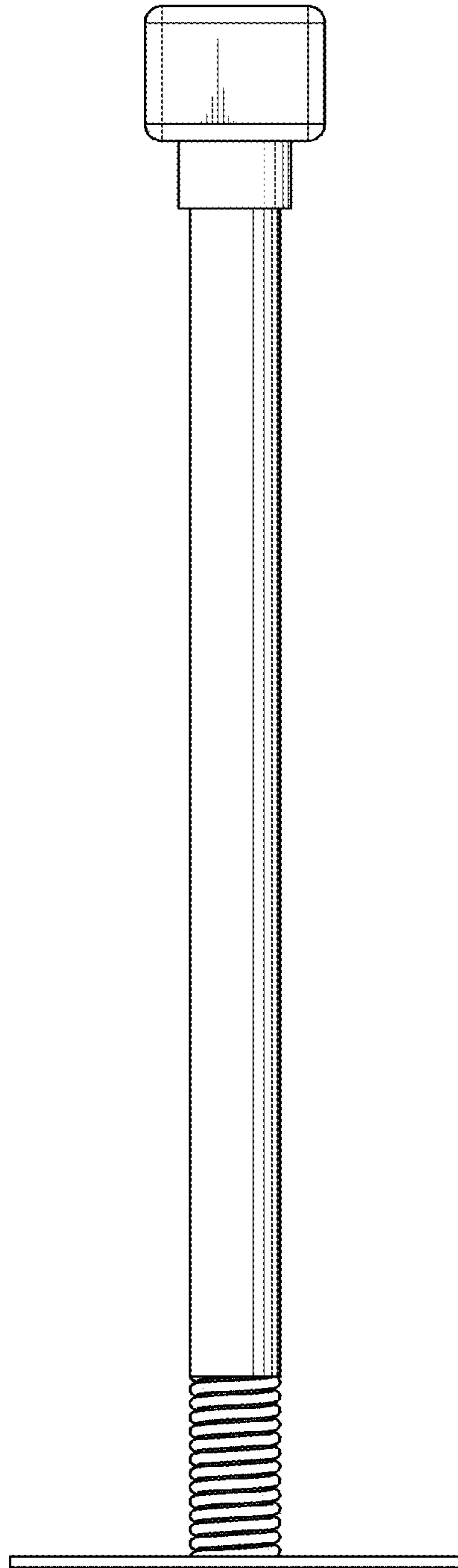


FIG. 5

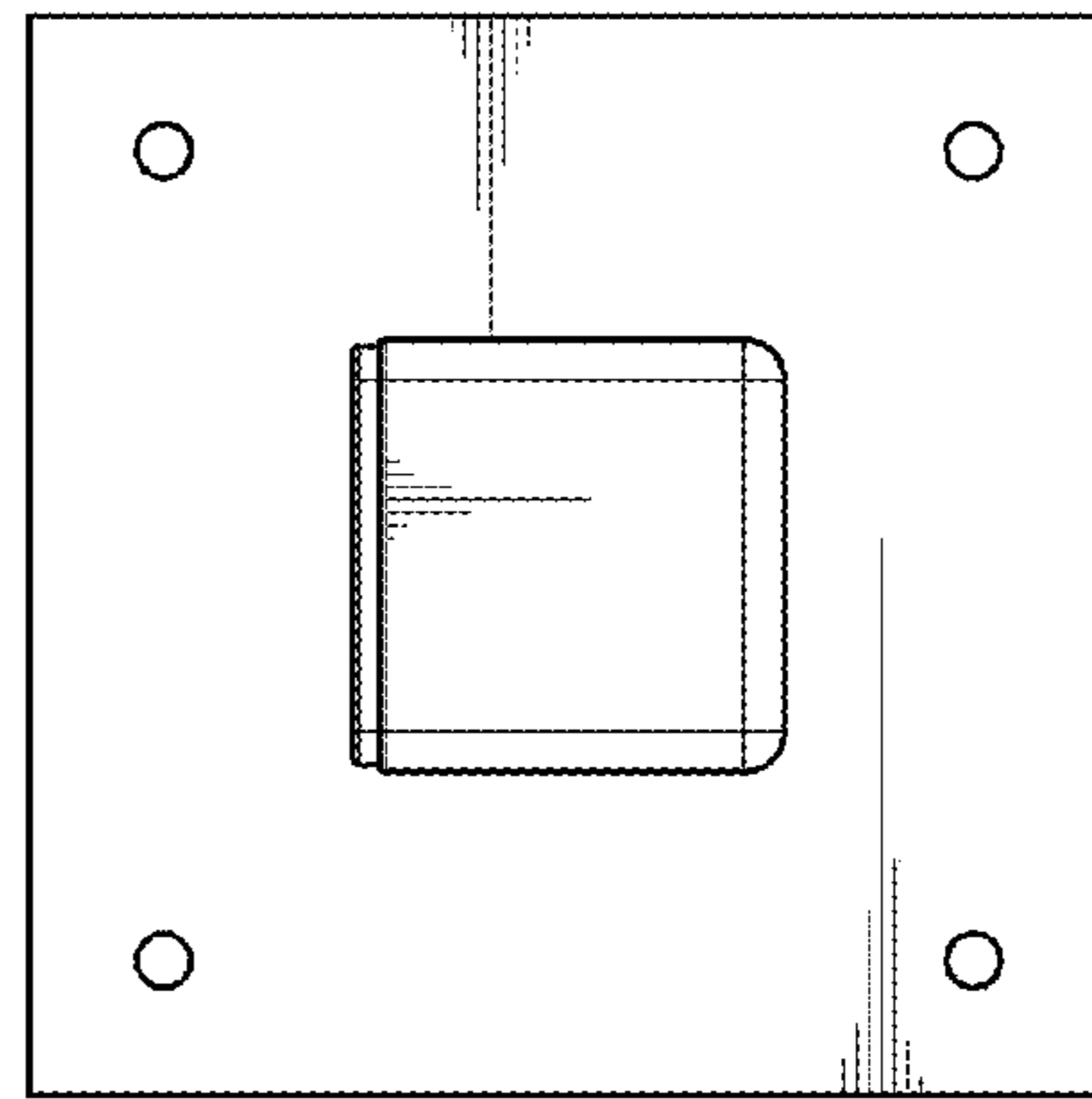


FIG. 6

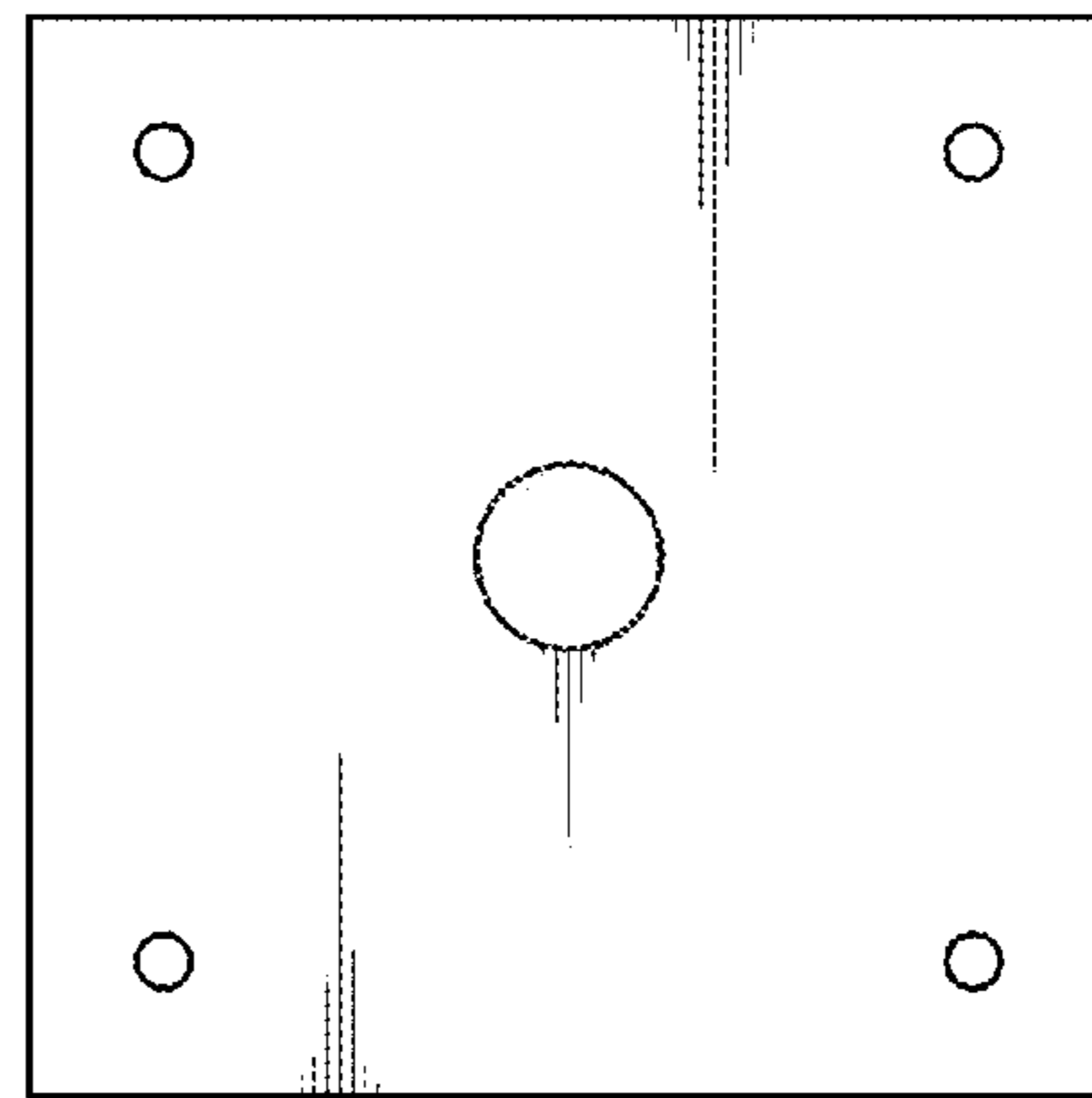


FIG. 7