



US00D699195S

(12) **United States Design Patent**  
**Smith**

(10) **Patent No.:** **US D699,195 S**  
(45) **Date of Patent:** **\*\* Feb. 11, 2014**

(54) **ELECTRICAL METALLIC TUBING TO ARMORED CABLE/METAL CLAD CABLE DUPLEX COUPLING**

7,723,623 B2 \* 5/2010 Kiely et al. .... 174/666  
D633,051 S \* 2/2011 Nurmi et al. .... D13/155  
8,242,369 B2 \* 8/2012 Kiely et al. .... 174/84 R

\* cited by examiner

(71) Applicant: **Bridgeport Fittings, Inc.**, Stratford, CT (US)

*Primary Examiner* — Derrick Holland

(72) Inventor: **Lawrence J. Smith**, Stamford, CT (US)

(74) *Attorney, Agent, or Firm* — Ware, Fressola, Mguire & Barber LLP

(73) Assignee: **Bridgeport Fittings, Inc.**, Stratford, CT (US)

(57) **CLAIM**

(\*\*) Term: **14 Years**

The ornamental design for an electrical metallic tubing to armored cable/metal clad cable duplex coupling, as shown and described.

(21) Appl. No.: **29/453,203**

**DESCRIPTION**

(22) Filed: **Apr. 26, 2013**

(51) **LOC (10) Cl.** ..... **13-03**

(52) **U.S. Cl.**  
USPC ..... **D13/155**

(58) **Field of Classification Search**  
USPC ..... D13/155, 133, 146, 149, 151, 153, 154, D13/156, 184, 199; D8/349, 354, 356, 394, D8/396; D23/259, 262, 386; 174/68.1, 174/68.3, 145, 154, 158 R, 650, 655, 656, 174/657, 659, 665, 666; 439/142, 319, 544, 439/552, 709, 724, 798, 810, 811, 814  
See application file for complete search history.

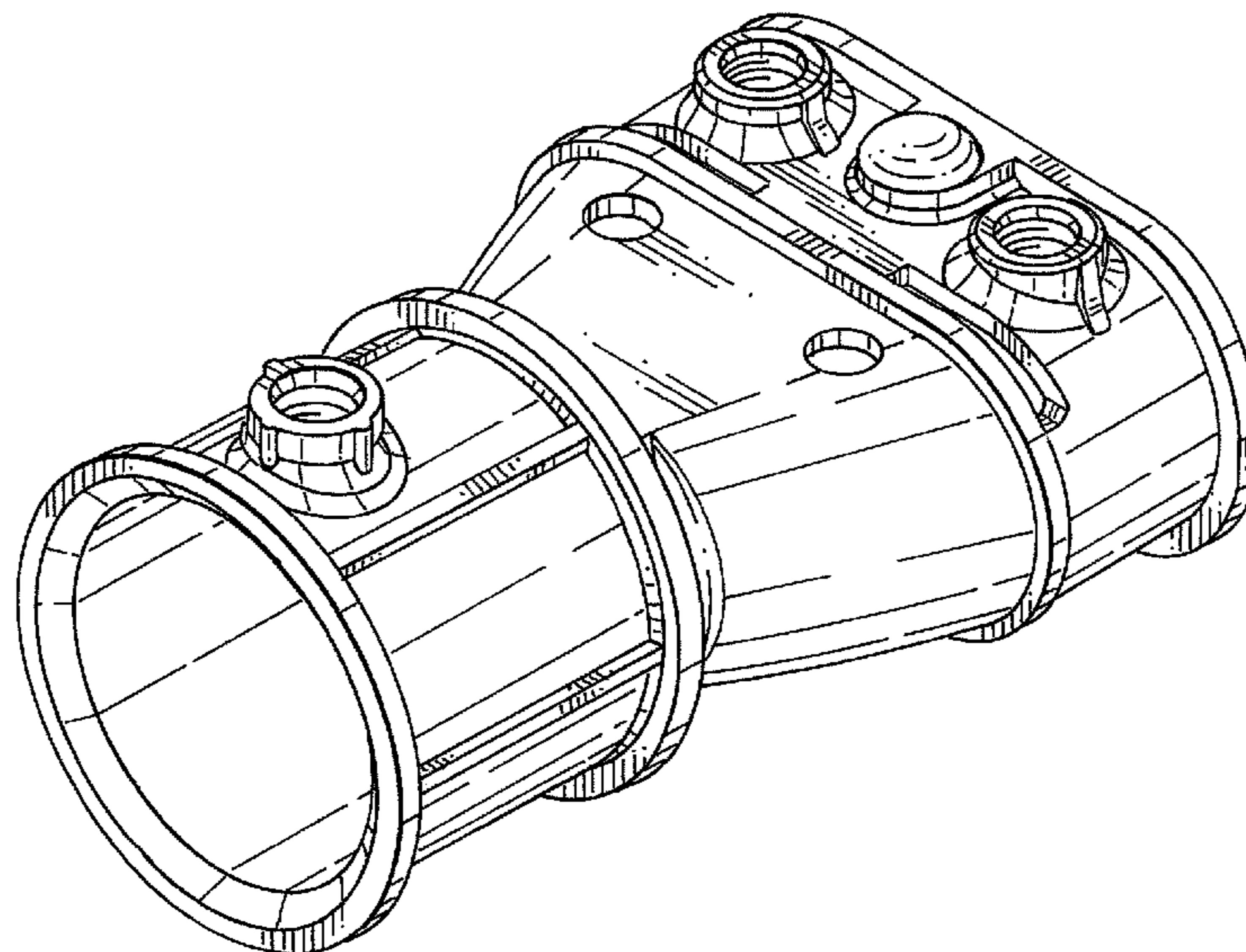
FIG. 1 is a rear perspective view of the electrical metallic tubing to armored cable/metal clad cable duplex coupling; FIG. 2 is a top view of the electrical metallic tubing to armored cable/metal clad cable duplex coupling; FIG. 3 is a bottom view of the electrical metallic tubing to armored cable/metal clad cable duplex coupling; FIG. 4 is a right side view of the electrical metallic tubing to armored cable/metal clad cable duplex coupling; FIG. 5 is a rear view of the electrical metallic tubing to armored cable/metal clad cable duplex coupling; FIG. 6 is a front view of the electrical metallic tubing to armored cable/metal clad cable duplex coupling; and, FIG. 7 is a front perspective view of the electrical metallic tubing to armored cable/metal clad cable duplex coupling showing the environment of the coupling in dashed lines. The broken lines shown represent unclaimed subject matter and form no part of the claimed design.

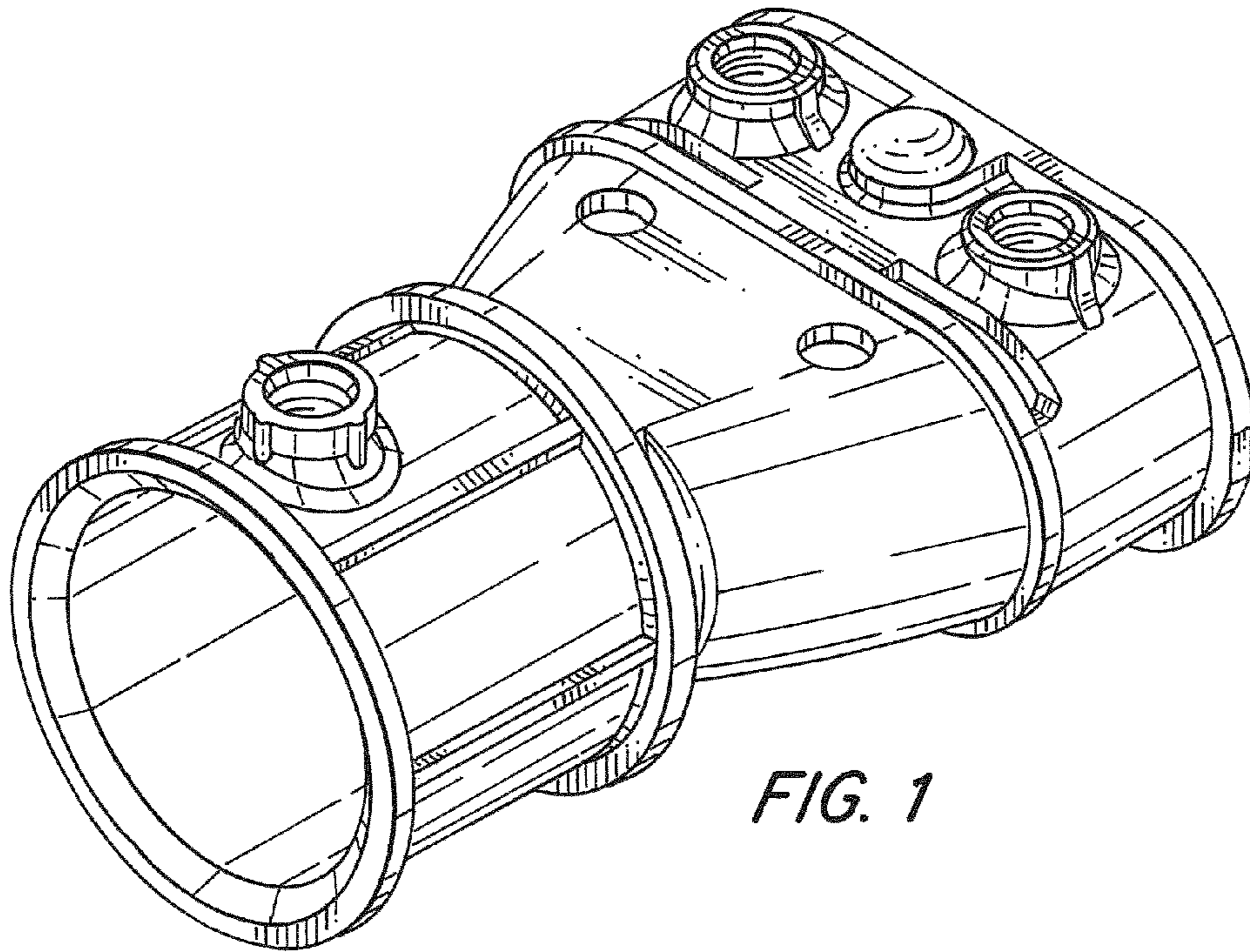
(56) **References Cited**

**U.S. PATENT DOCUMENTS**

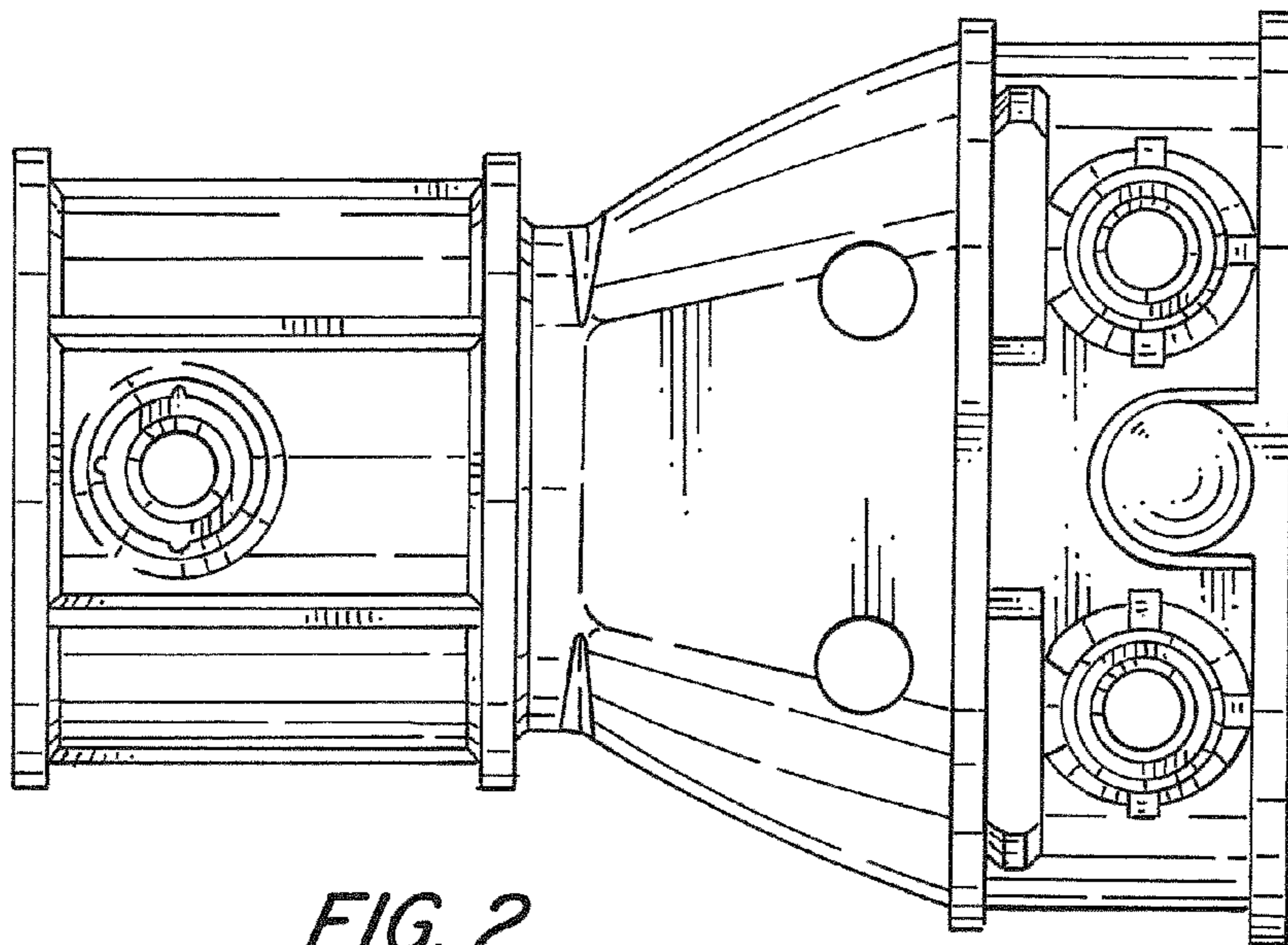
6,355,884 B1 \* 3/2002 Gretz ..... 174/659  
D467,553 S \* 12/2002 Cheng ..... D13/154  
6,849,803 B1 \* 2/2005 Gretz ..... 174/665  
6,872,886 B2 \* 3/2005 Kiely ..... 174/656

**1 Claim, 4 Drawing Sheets**





*FIG. 1*



*FIG. 2*



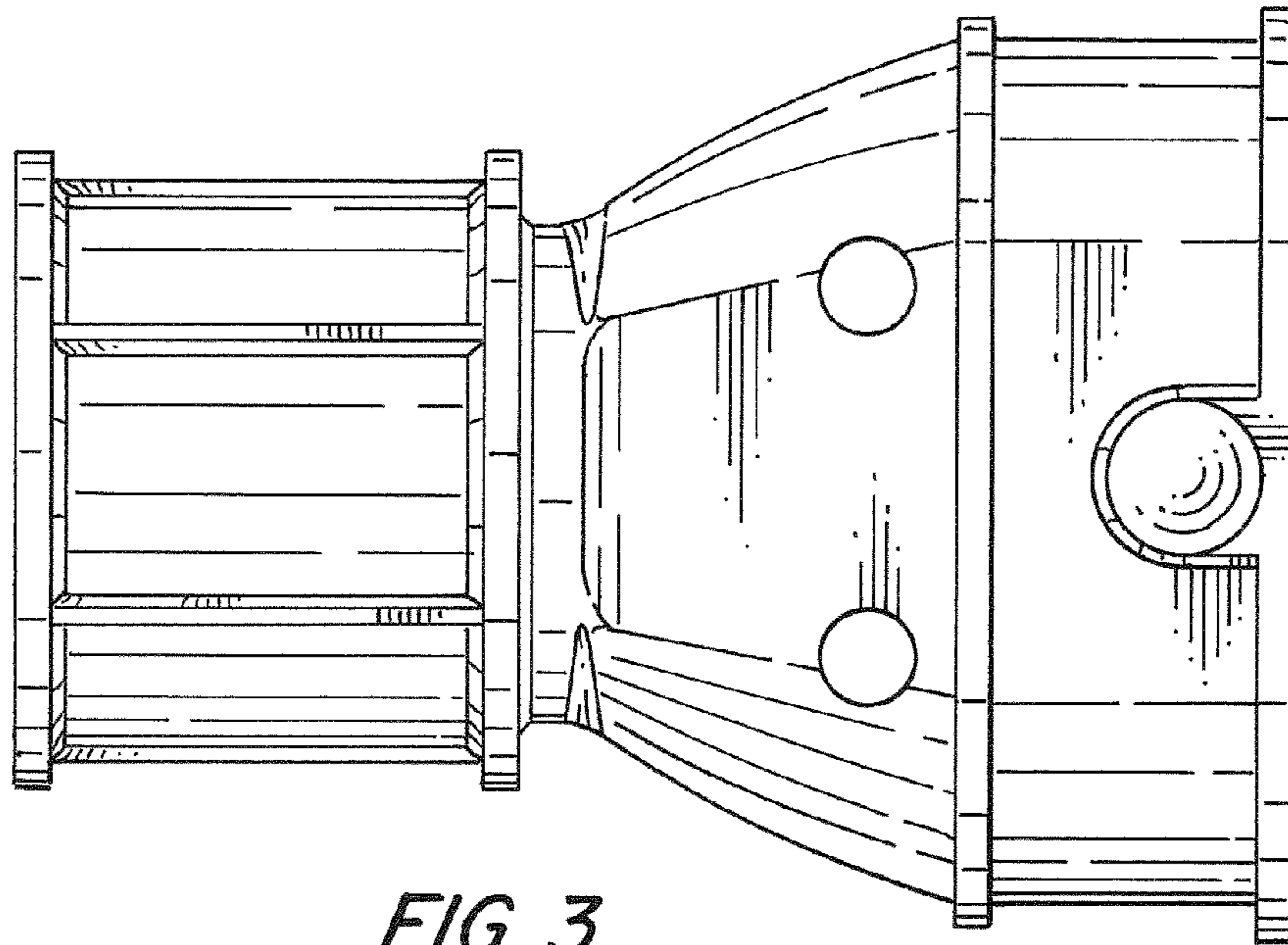


FIG. 3

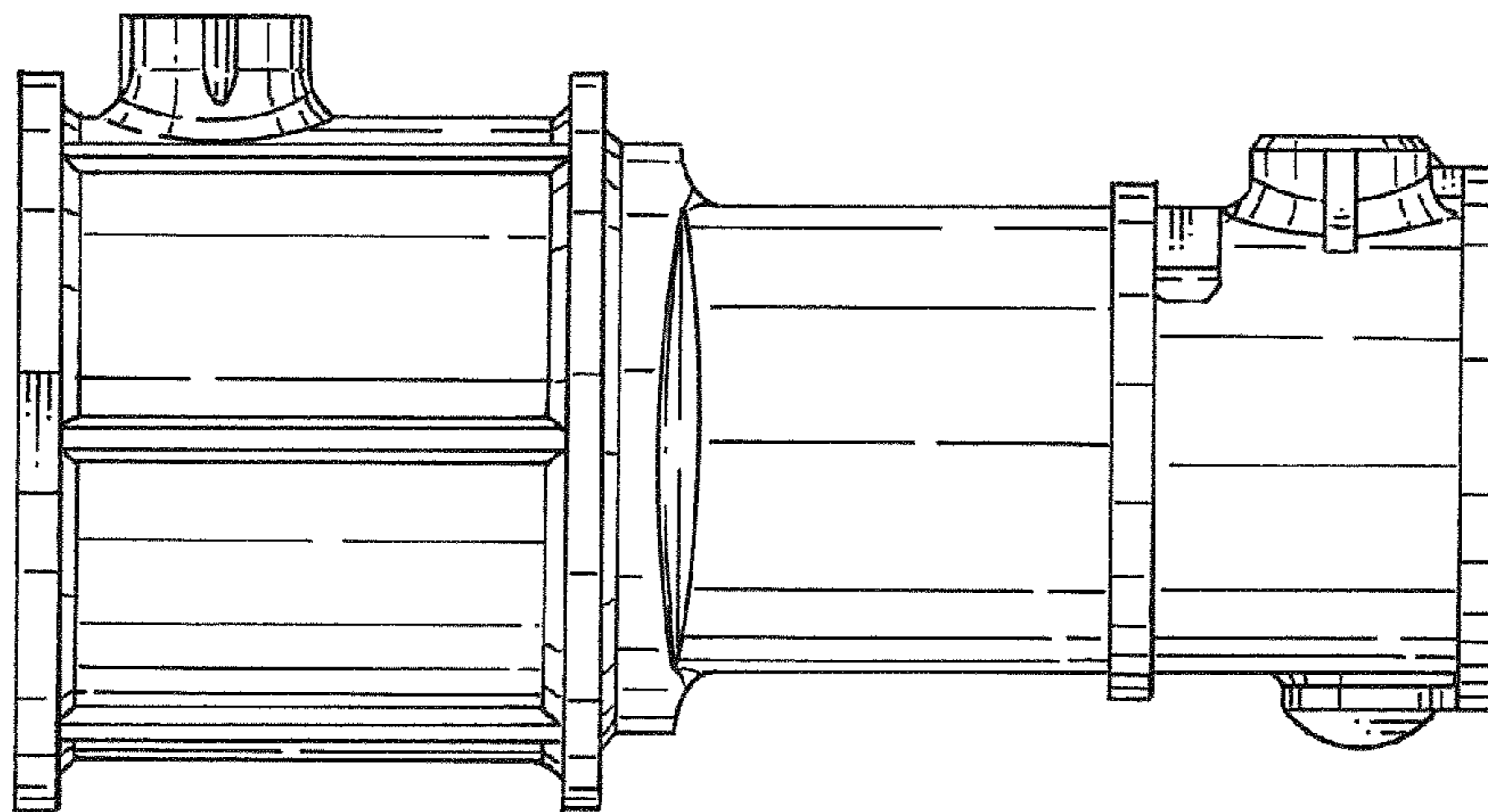
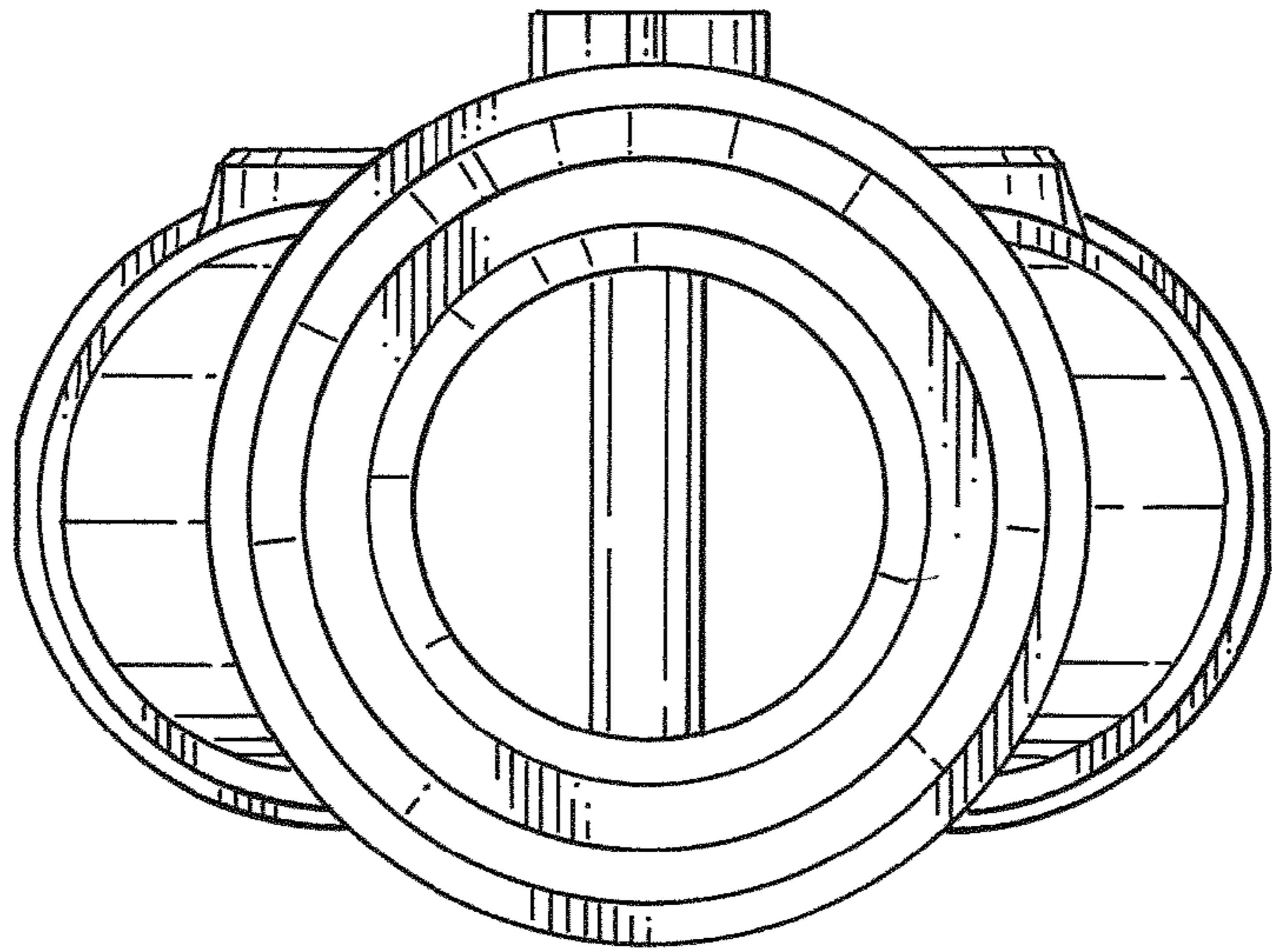
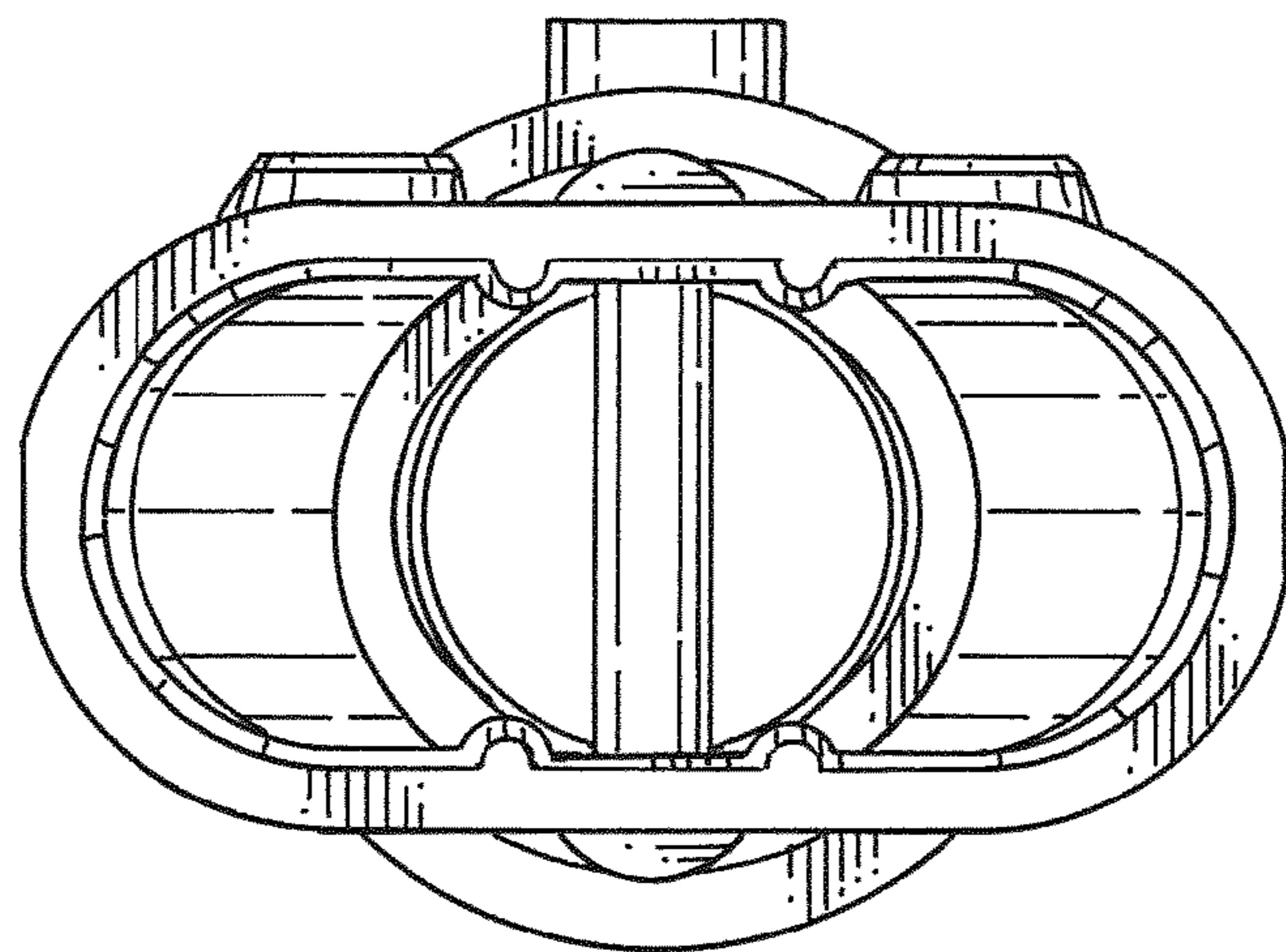


FIG. 4



*FIG. 5*



*FIG. 6*

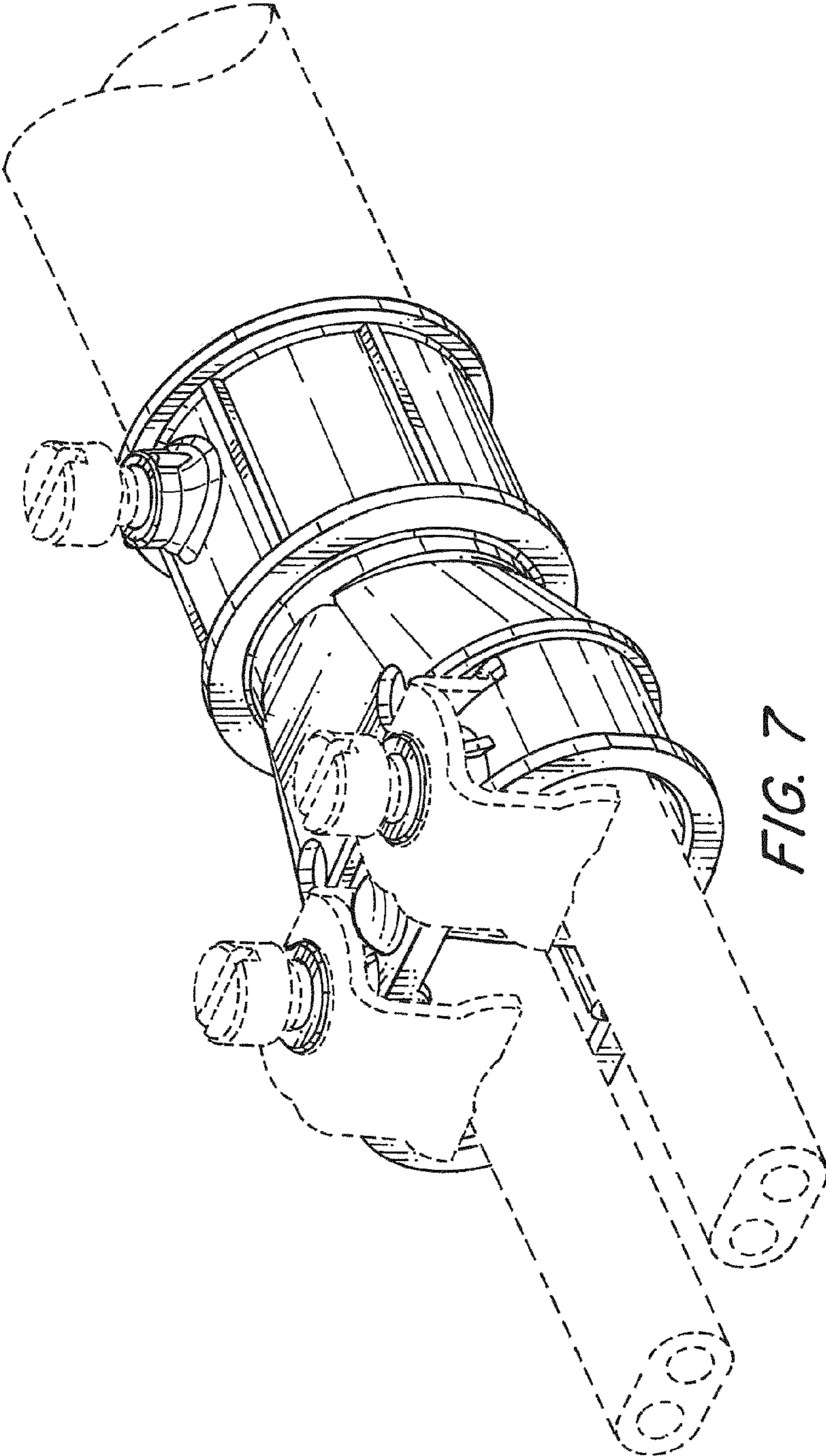


FIG. 7