

US00D699194S

(12) **United States Design Patent**  
**Sprenger**

(10) **Patent No.:** **US D699,194 S**

(45) **Date of Patent:** **\*\* Feb. 11, 2014**

(54) **CABLE GLAND**

(75) Inventor: **Dennis Sprenger**, Horn-Bad Meinberg  
(DE)

(73) Assignee: **Phoenix Contact GmbH & Co. KG**,  
Blomberg (DE)

(\*\*) Term: **14 Years**

(21) Appl. No.: **29/387,455**

(22) Filed: **Mar. 14, 2011**

(51) **LOC (10) Cl.** ..... **13-03**

(52) **U.S. Cl.**  
USPC ..... **D13/155**

(58) **Field of Classification Search**  
USPC ..... D13/146, 147, 149, 153, 154, 155, 156,  
D13/157, 158, 160, 173, 184, 199; 439/701,  
439/62, 74, 79, 83, 108, 190, 207; 174/19,  
174/21 R, 21 JS, 24, 66, 67, 652, 668, 659,  
174/656, 654

See application file for complete search history.

(56) **References Cited**

U.S. PATENT DOCUMENTS

D417,135 S \* 11/1999 McMahon ..... D8/354  
D592,600 S \* 5/2009 Wu ..... D13/147  
D596,123 S \* 7/2009 Yang ..... D13/133

\* cited by examiner

*Primary Examiner* — Derrick Holland

*Assistant Examiner* — Lauren Calve

(74) *Attorney, Agent, or Firm* — Scully, Scott, Murphy &  
Presser, P.C.

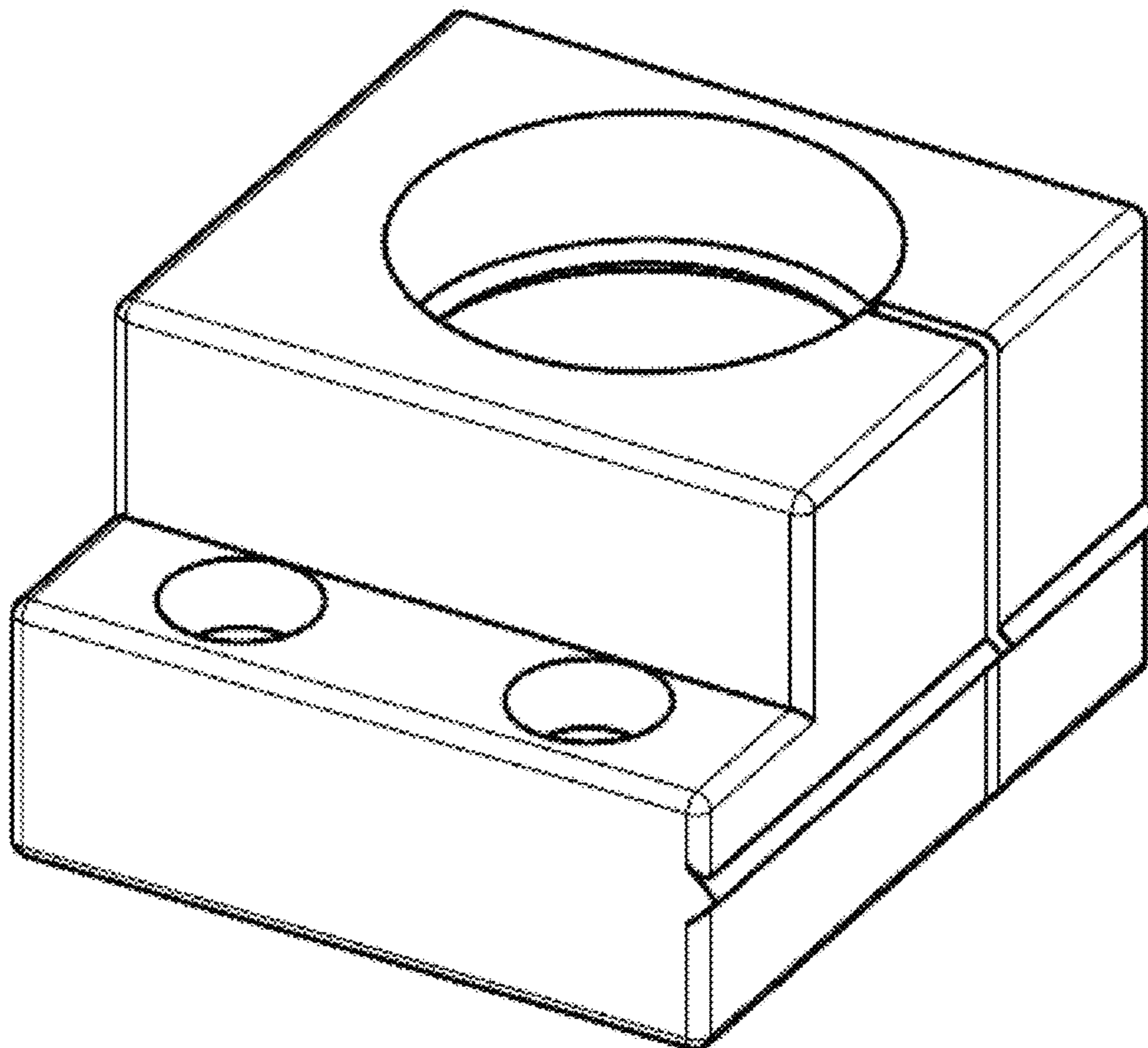
(57) **CLAIM**

The ornamental design for a cable gland, as shown and  
described.

**DESCRIPTION**

FIG. 1 is a perspective view of a cable gland showing my new  
design;  
FIG. 2 is a front elevation view thereof;  
FIG. 3 is a rear elevation view thereof;  
FIG. 4 is a left side view thereof;  
FIG. 5 is a right side view thereof;  
FIG. 6 is a top view thereof; and,  
FIG. 7 is a bottom view thereof.  
The broken line showing in FIG. 3 represents unclaimed  
subject matter and forms no part of the claimed design.

**1 Claim, 7 Drawing Sheets**



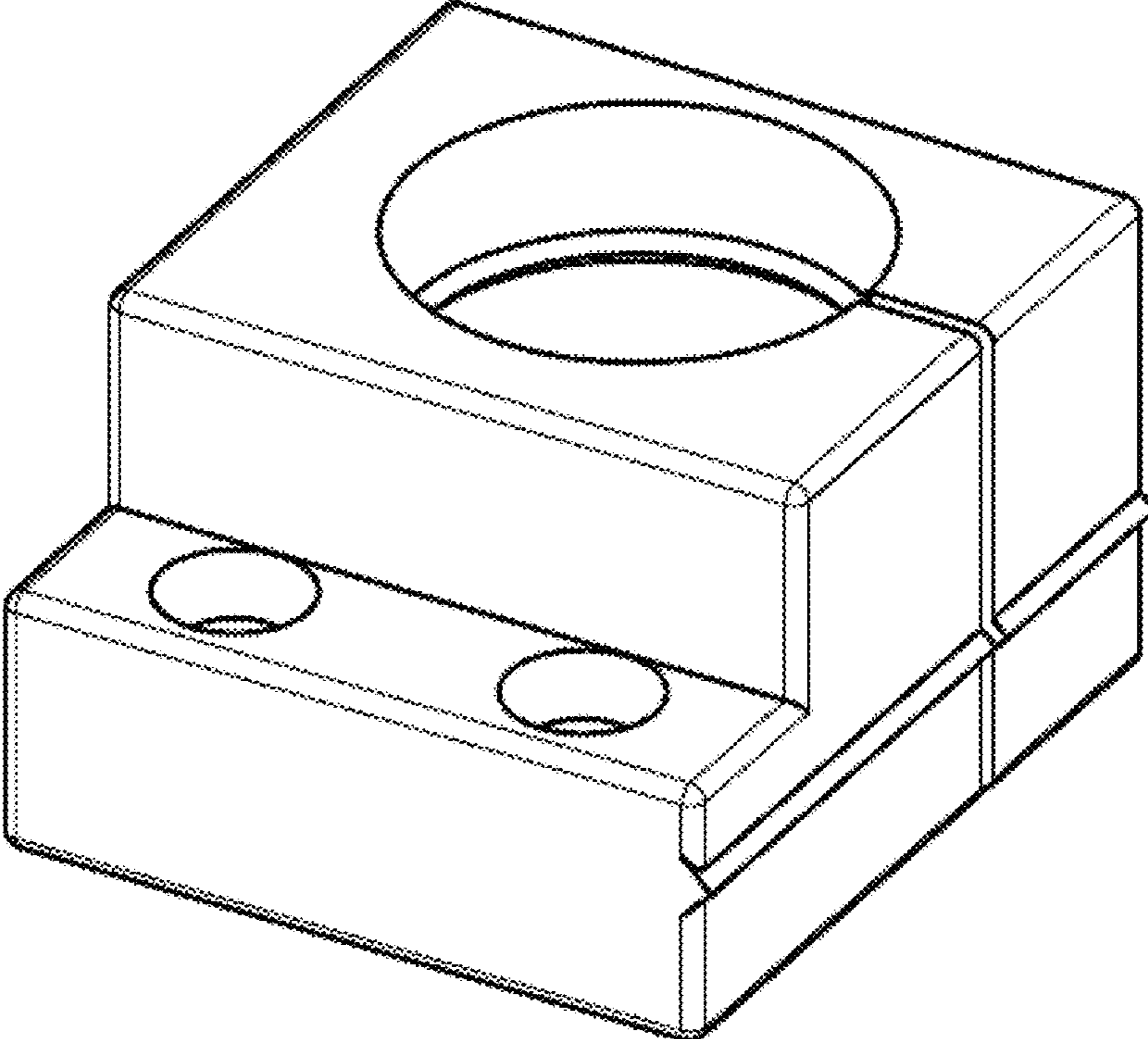


FIG. 1

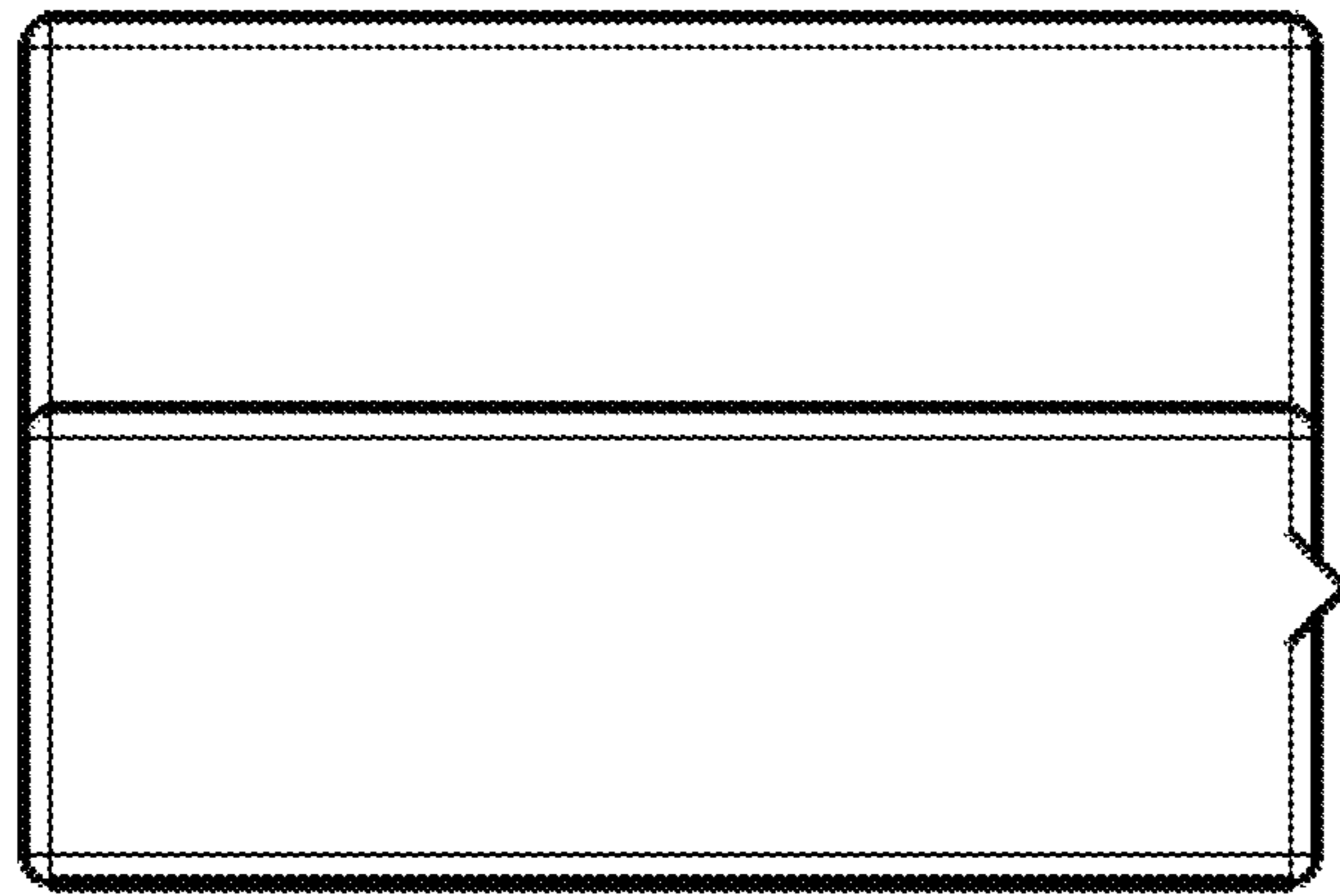


FIG. 2

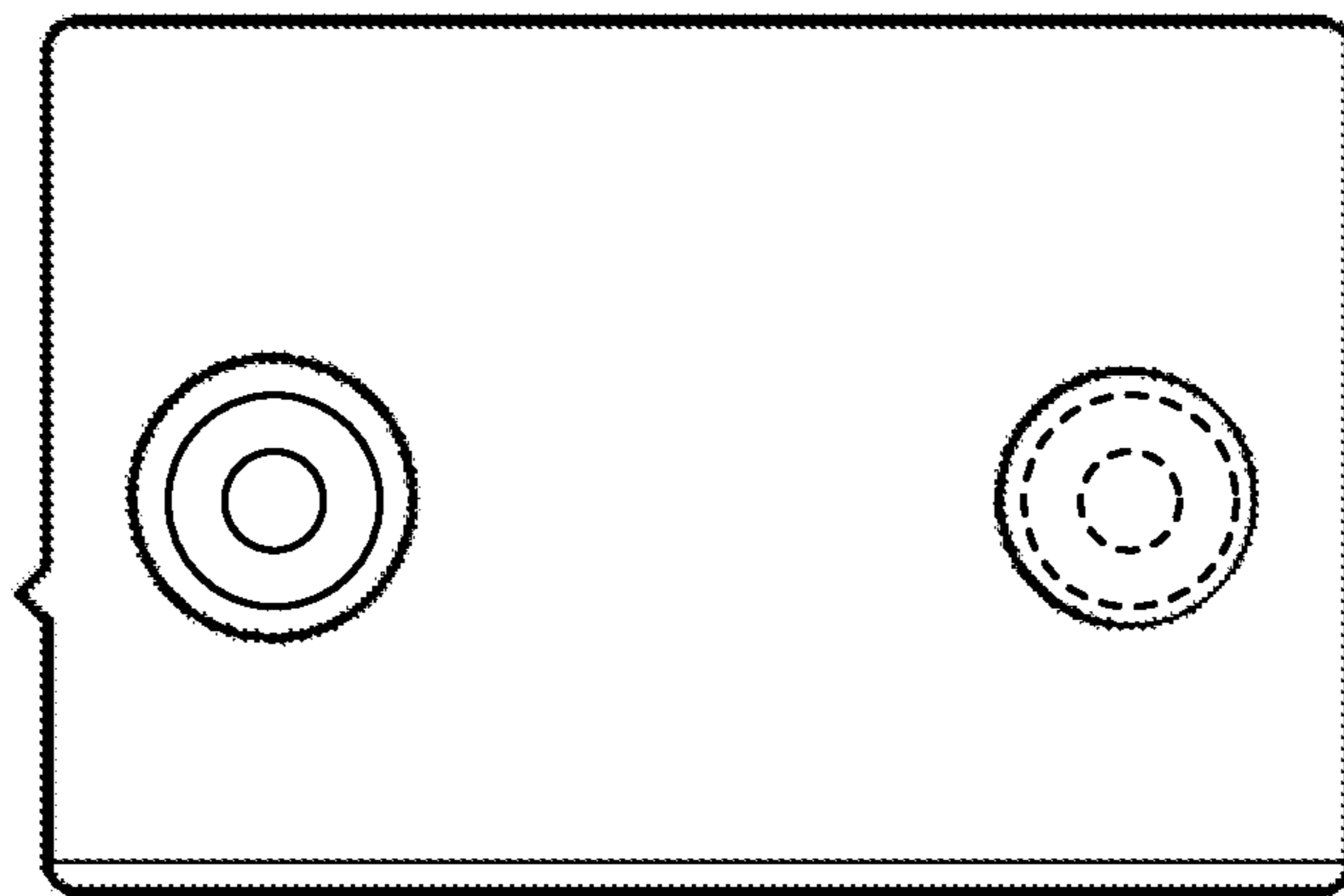


FIG. 3

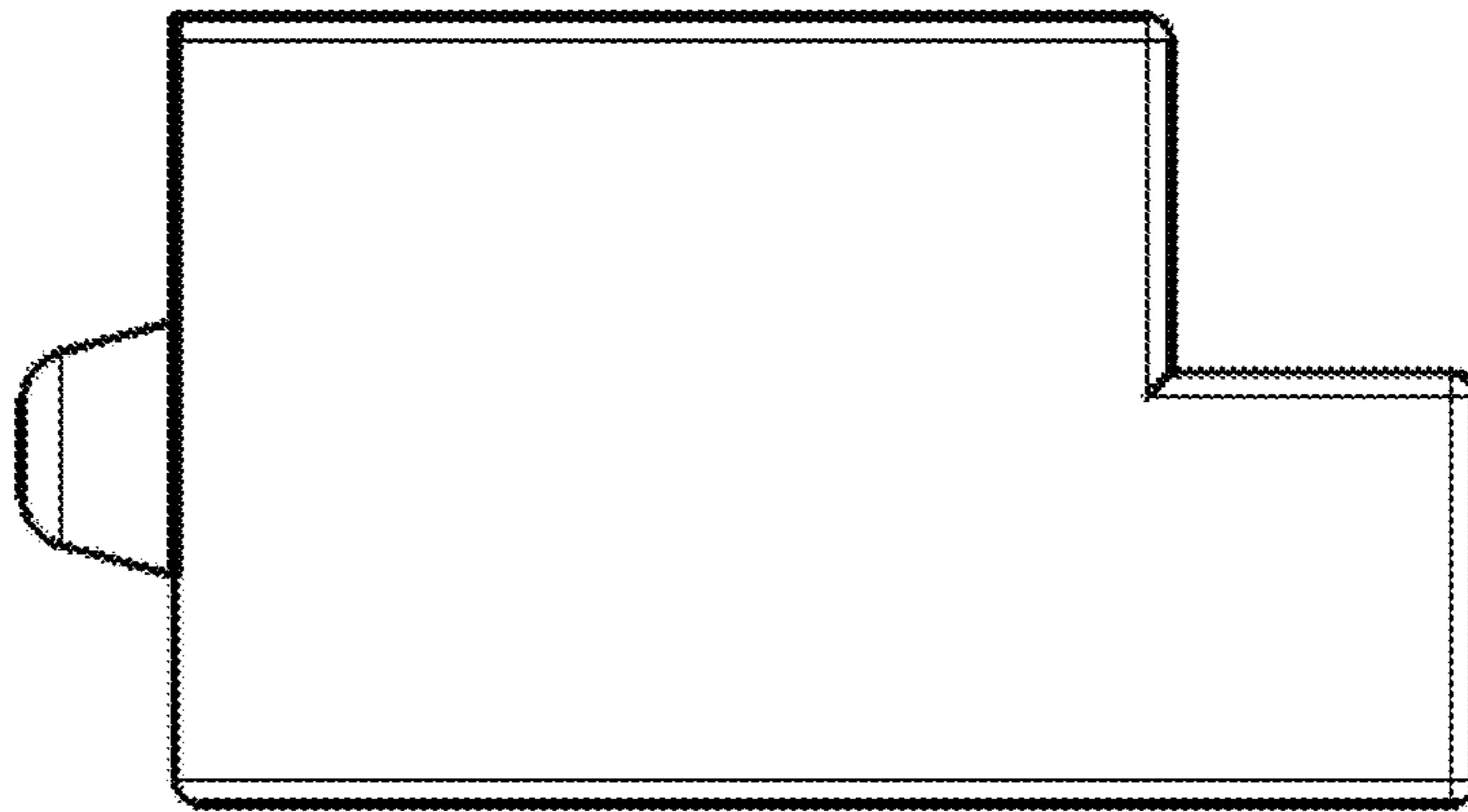


FIG. 4

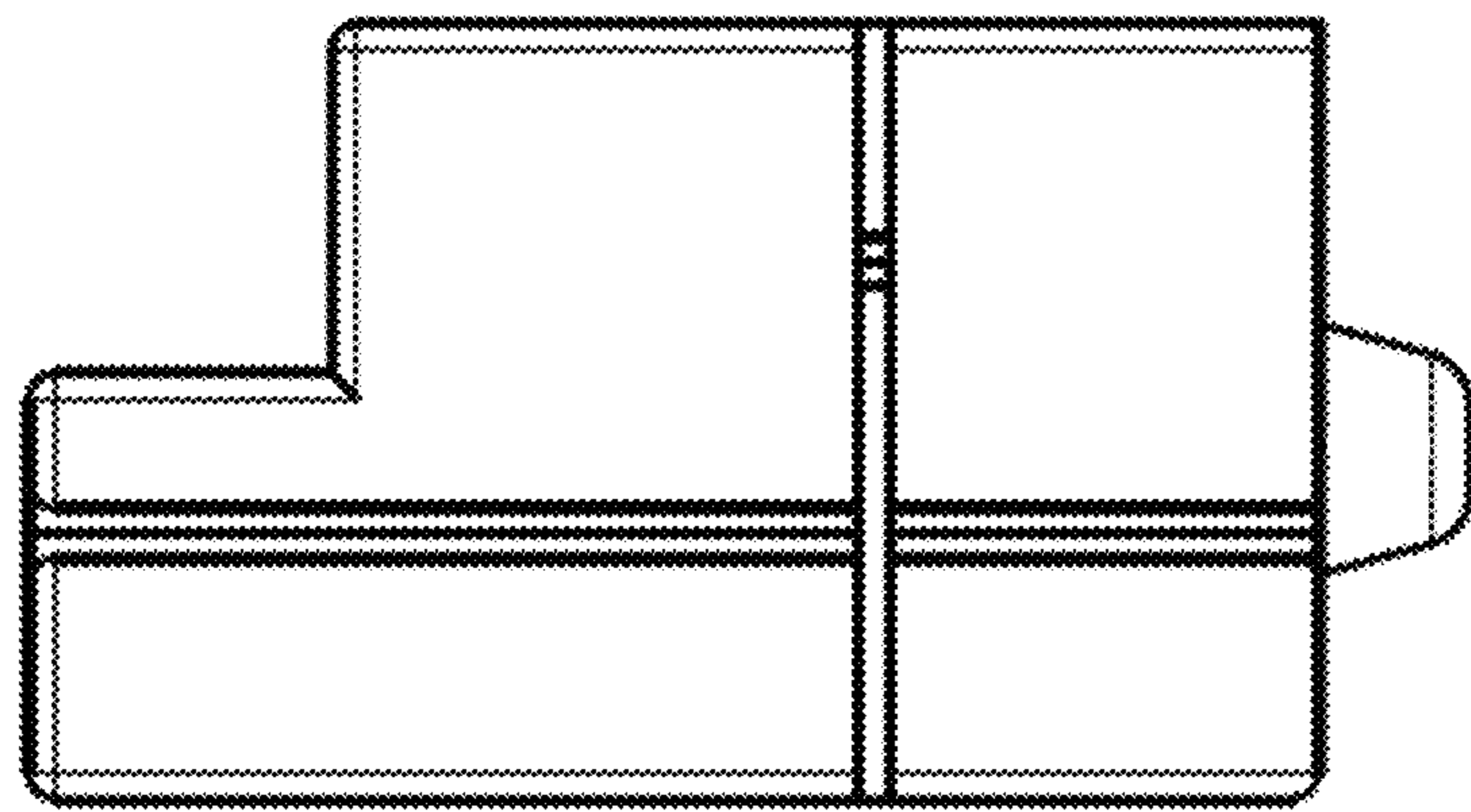


FIG. 5

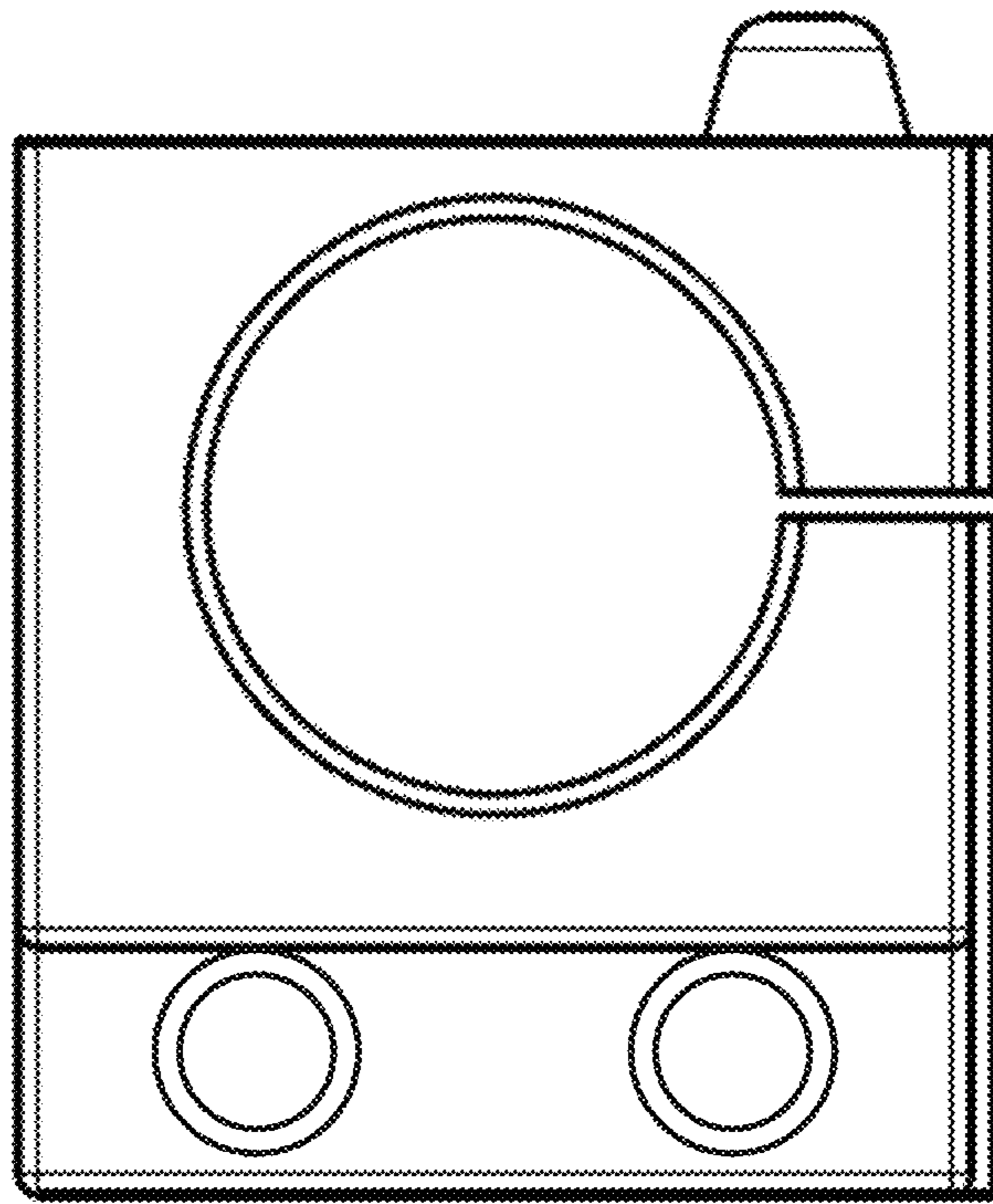


FIG. 6

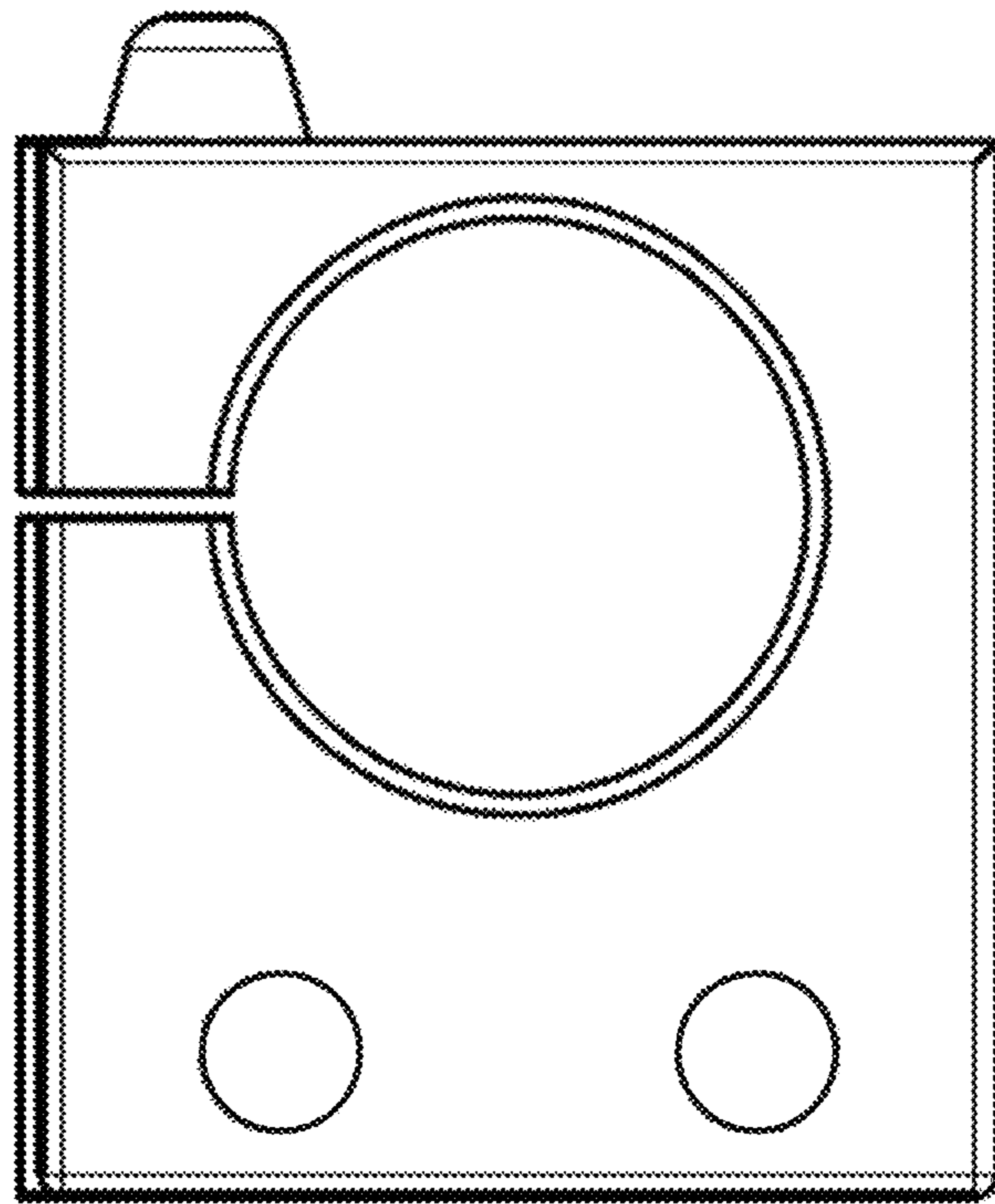


FIG. 7