



US00D699192S

(12) **United States Design Patent**
Takenaga et al.

(10) **Patent No.:** **US D699,192 S**

(45) **Date of Patent:** **** Feb. 11, 2014**

(54) **ELECTRICAL CONNECTOR**

(71) Applicant: **Japan Aviation Electronics Industry, Limited**, Tokyo (JP)

(72) Inventors: **Yuichi Takenaga**, Tokyo (JP);
Masamichi Sasaki, Tokyo (JP)

(73) Assignee: **Japan Aviation Electronics Industry, Limited**, Tokyo (JP)

(**) Term: **14 Years**

(21) Appl. No.: **29/447,998**

(22) Filed: **Mar. 8, 2013**

(30) **Foreign Application Priority Data**

Sep. 14, 2012 (JP) 2012-022347
Sep. 14, 2012 (JP) 2012-022348
Sep. 14, 2012 (JP) 2012-022349

(51) **LOC (10) Cl.** **13-03**

(52) **U.S. Cl.**
USPC **D13/147**

(58) **Field of Classification Search**
USPC D13/147, 154, 184, 199; 439/79, 108,
439/350, 353, 357, 378, 476.1, 489, 587,
439/594, 595, 598, 607.01, 607.04, 607.05,
439/607.17, 607.25, 607.34, 607.41,
439/607.53, 656, 660, 668, 680, 711, 745,
439/752

See application file for complete search history.

(56) **References Cited**

U.S. PATENT DOCUMENTS

D522,969 S * 6/2006 Nishio et al. D13/147
D578,071 S * 10/2008 Shen et al. D13/147
D583,329 S * 12/2008 Chiang et al. D13/147
D601,506 S * 10/2009 Fukazawa et al. D13/147
D616,828 S * 6/2010 Tung et al. D13/147
D650,754 S * 12/2011 Bodmann et al. D13/147
D661,656 S * 6/2012 Bodmann et al. D13/147
D689,439 S * 9/2013 Yu et al. D13/147

* cited by examiner

Primary Examiner — Daniel Bui

(74) *Attorney, Agent, or Firm* — Westerman, Hattori,
Daniels & Adrian, LLP

(57) **CLAIM**

The ornamental design for an electrical connector, as shown and described.

DESCRIPTION

FIG. 1 is a front elevational view of a first embodiment of an electrical connector, showing our new design;
FIG. 2 is a rear elevational view thereof;
FIG. 3 is a right side elevational view thereof;
FIG. 4 is a left side elevational view thereof;
FIG. 5 is a top plan view thereof;
FIG. 6 is a bottom plan view thereof;
FIG. 7 is a right front perspective view showing the top thereof;
FIG. 8 is a left rear perspective view showing the bottom thereof;
FIG. 9 is a right front perspective view showing the bottom thereof;
FIG. 10 is a left rear perspective view showing the top thereof;
FIG. 11 is a right front perspective view thereof, showing the electrical connector with a shutter removed;
FIG. 12 is a front elevational view thereof, showing the electrical connector with the shutter removed;
FIG. 13 is a front elevational view of a second embodiment of an electrical connector;
FIG. 14 is a rear elevational view thereof;
FIG. 15 is a right side elevational view thereof;
FIG. 16 is a left side elevational view thereof;
FIG. 17 is a top plan view thereof;
FIG. 18 is a bottom plan view thereof;
FIG. 19 is a right front perspective view showing the top thereof;
FIG. 20 is a left rear perspective view showing the bottom thereof;
FIG. 21 is a right front perspective view showing the bottom thereof;
FIG. 22 is a left rear perspective view showing the top thereof;

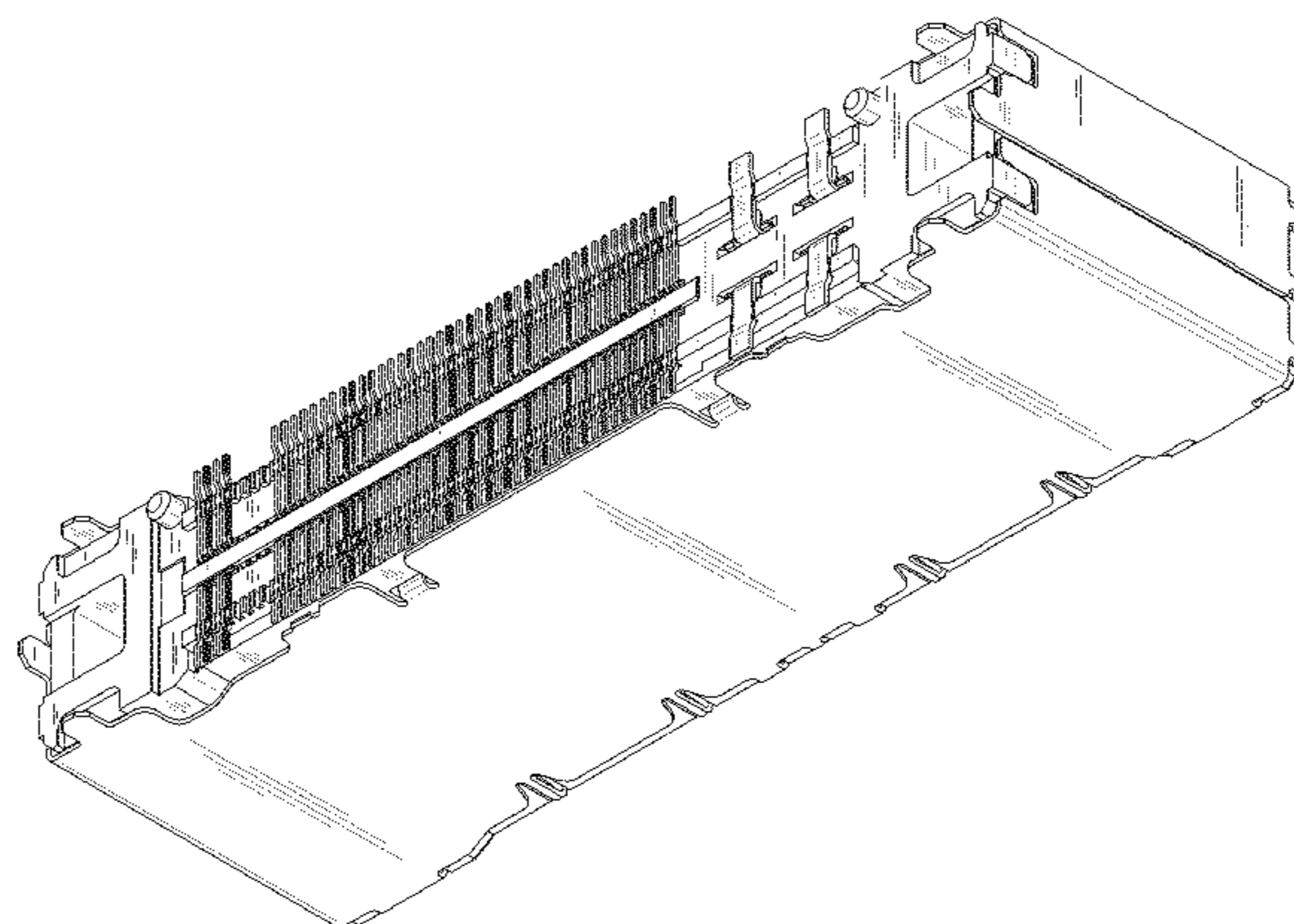
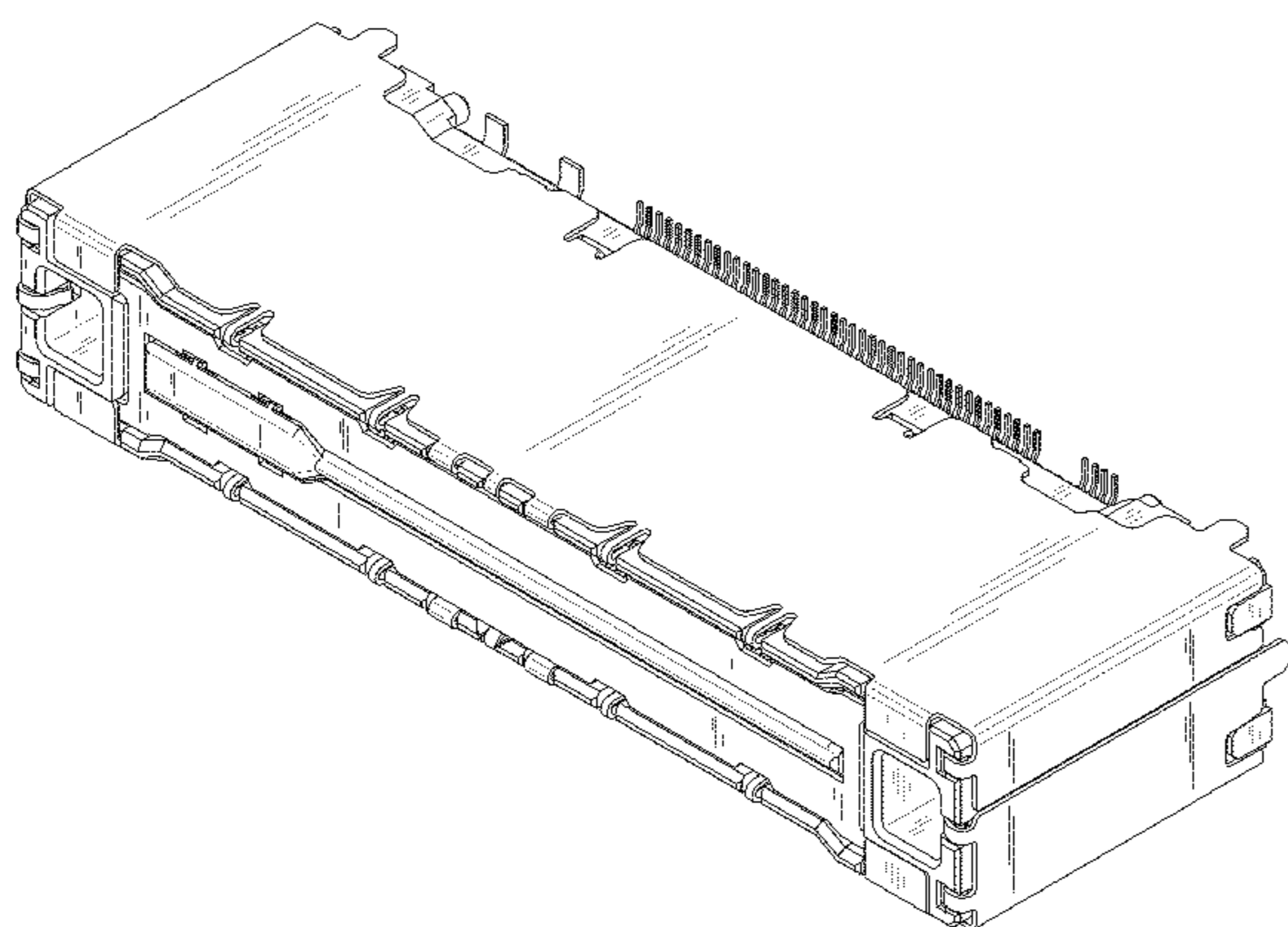


FIG. **23** is a right front perspective view thereof, showing the electrical connector with a shutter removed;

FIG. **24** is a front elevational view thereof, showing the electrical connector with the shutter removed;

FIG. **25** is a front elevational view of a third embodiment of an electrical connector;

FIG. **26** is a rear elevational view thereof;

FIG. **27** is a right side elevational view thereof;

FIG. **28** is a left side elevational view thereof;

FIG. **29** is a top plan view thereof;

FIG. **30** is a bottom plan view thereof;

FIG. **31** is a right front perspective view showing the top thereof;

FIG. **32** is a left rear perspective view showing the bottom thereof;

FIG. **33** is a right front perspective view showing the bottom thereof;

FIG. **34** is a left rear perspective view showing the top thereof;

FIG. **35** is a right front perspective view thereof, showing the electrical connector with a shutter removed; and,

FIG. **36** is a front elevational view thereof, showing the electrical connector with the shutter removed.

The broken line in the figure drawings is included for the purpose of illustrating unclaimed environment and forms no part of the claimed design.

1 Claim, 36 Drawing Sheets

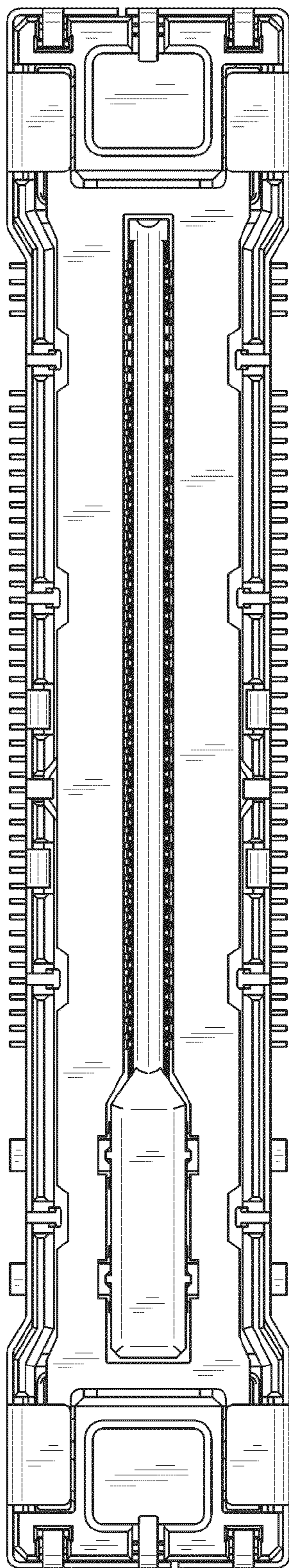


FIG. 1

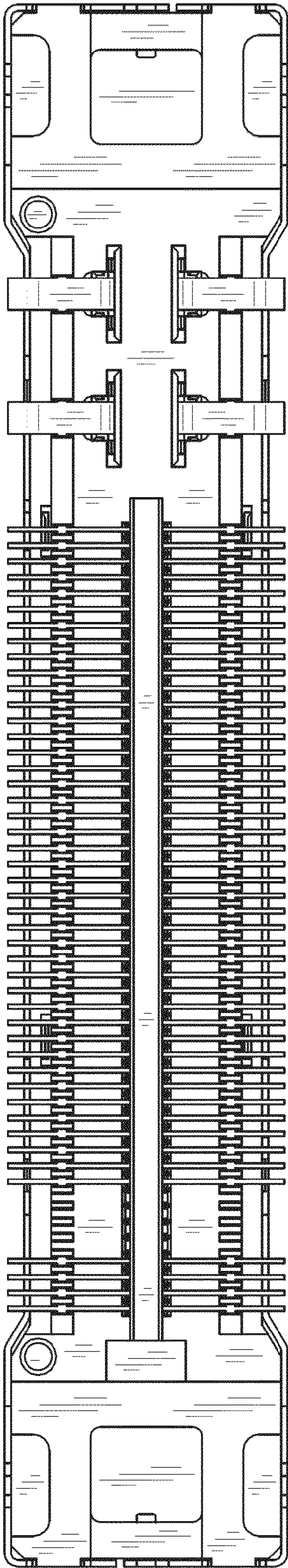


FIG.2

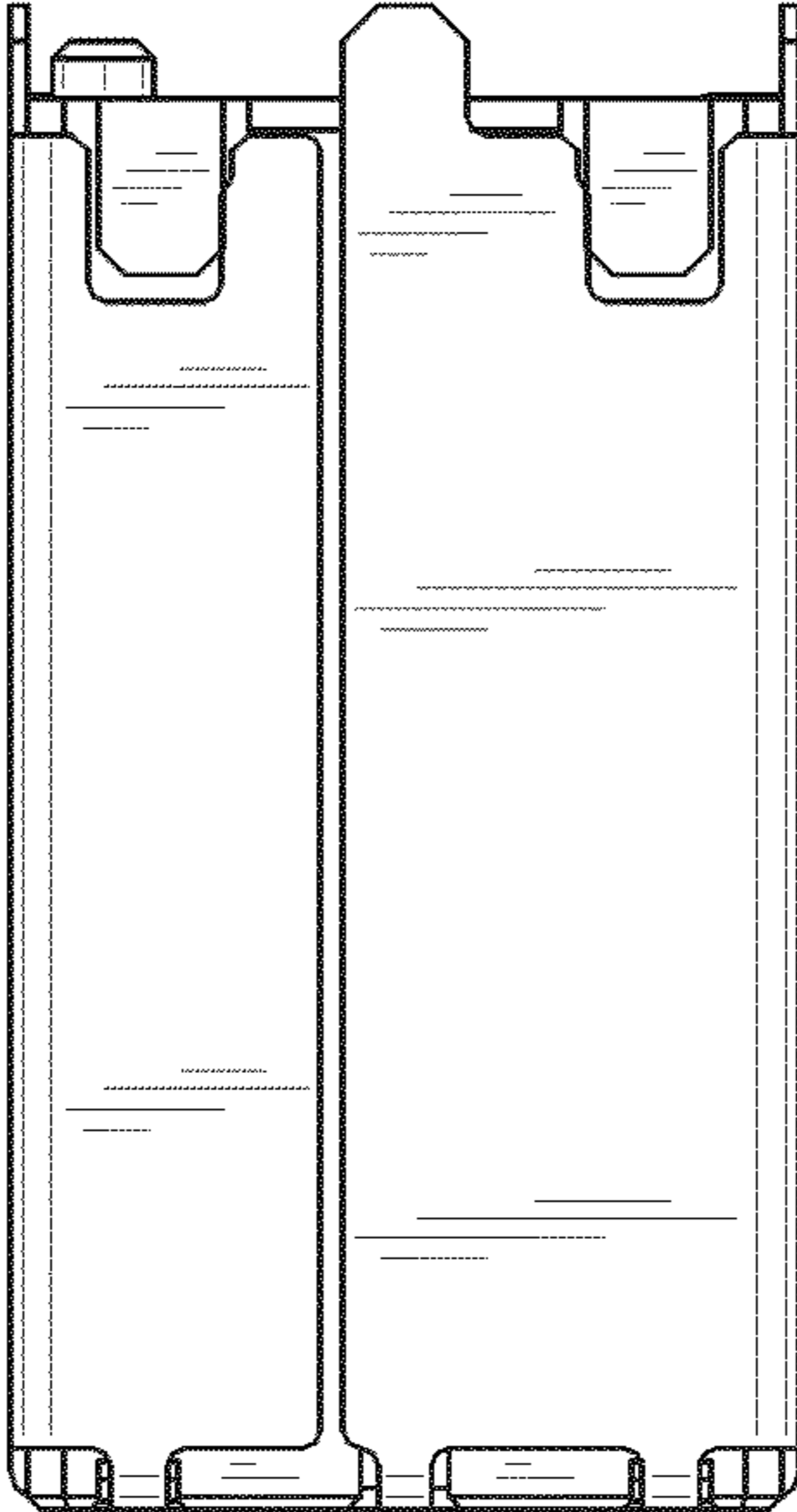


FIG.3

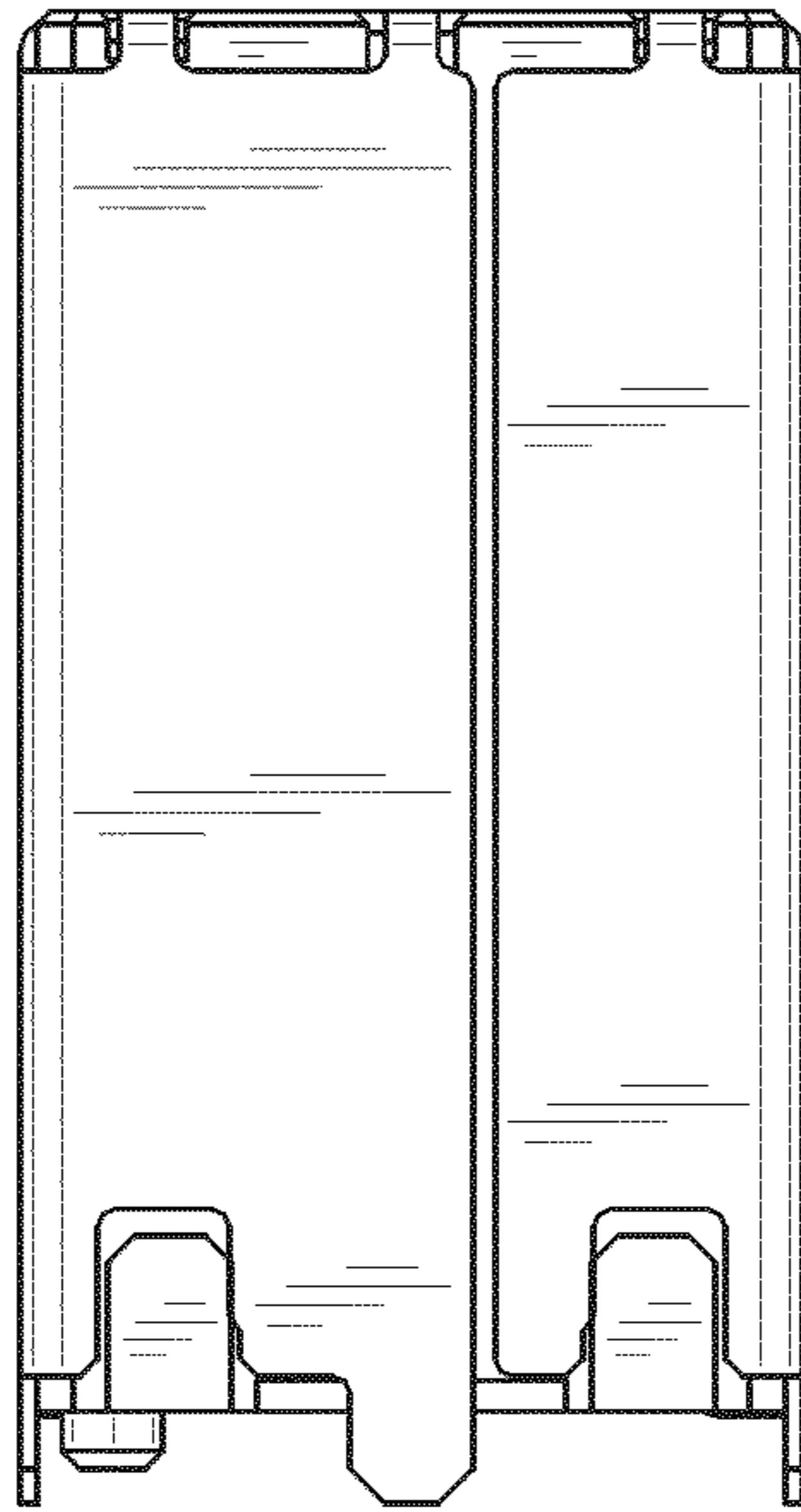


FIG.4

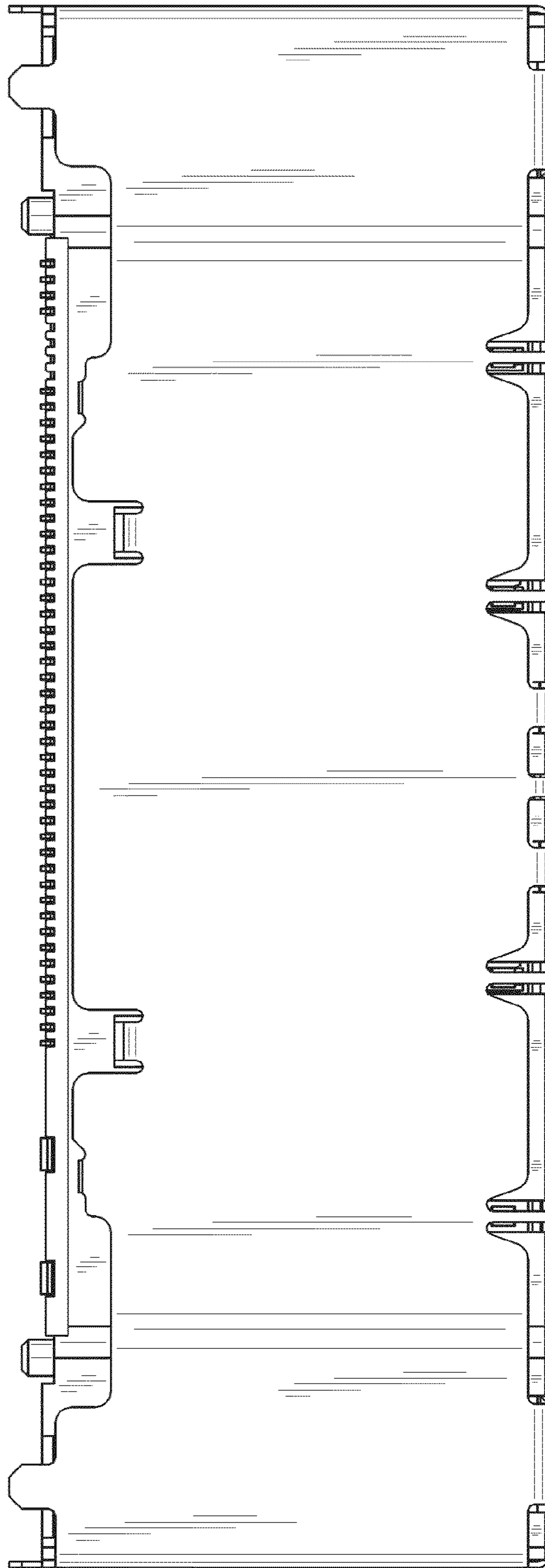


FIG.5

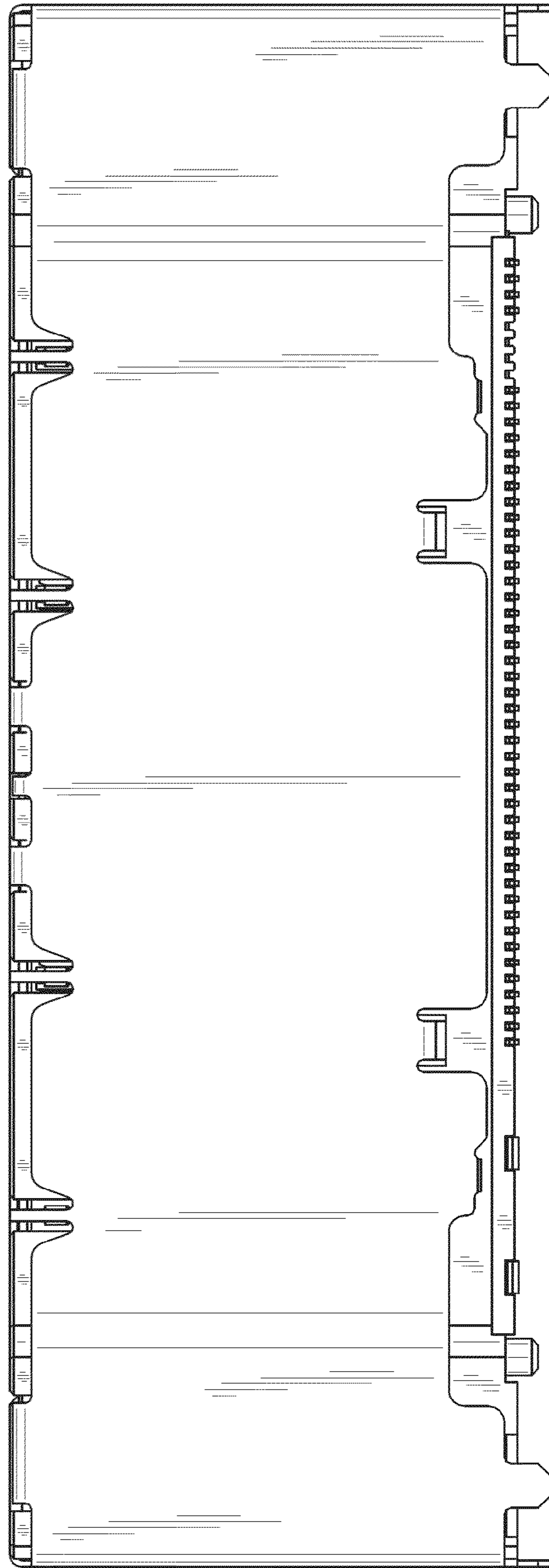


FIG.6

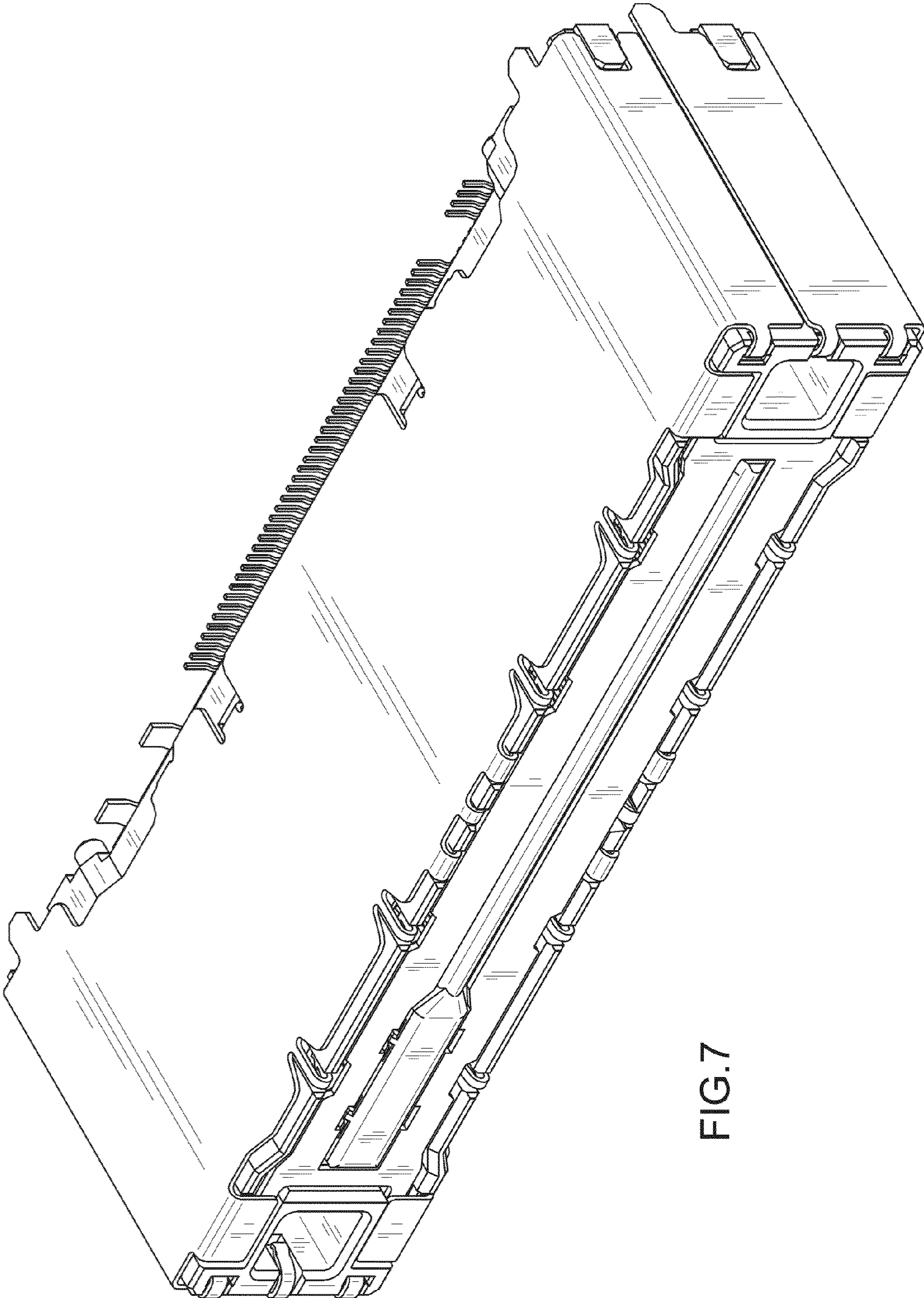


FIG.7

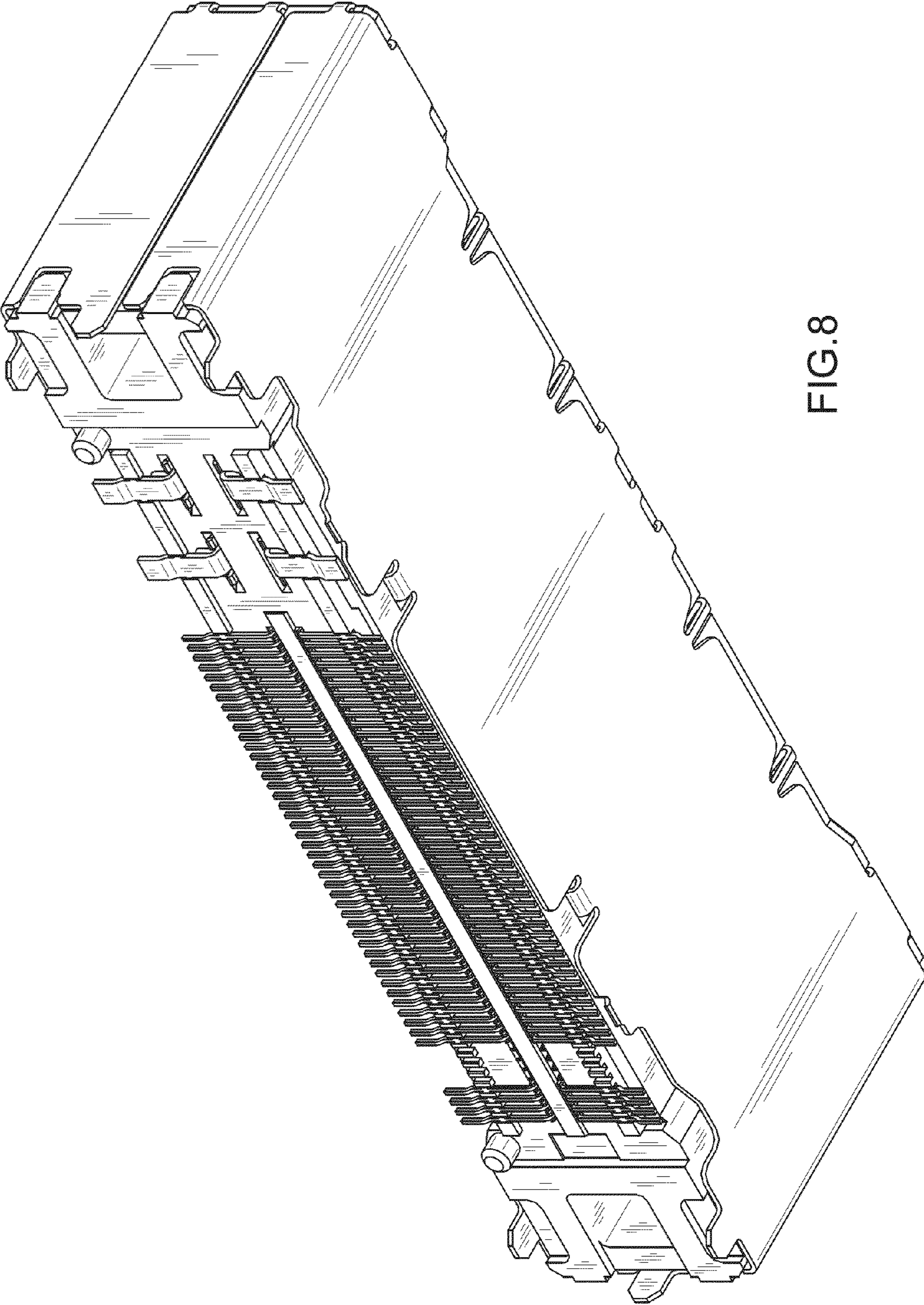


FIG.8

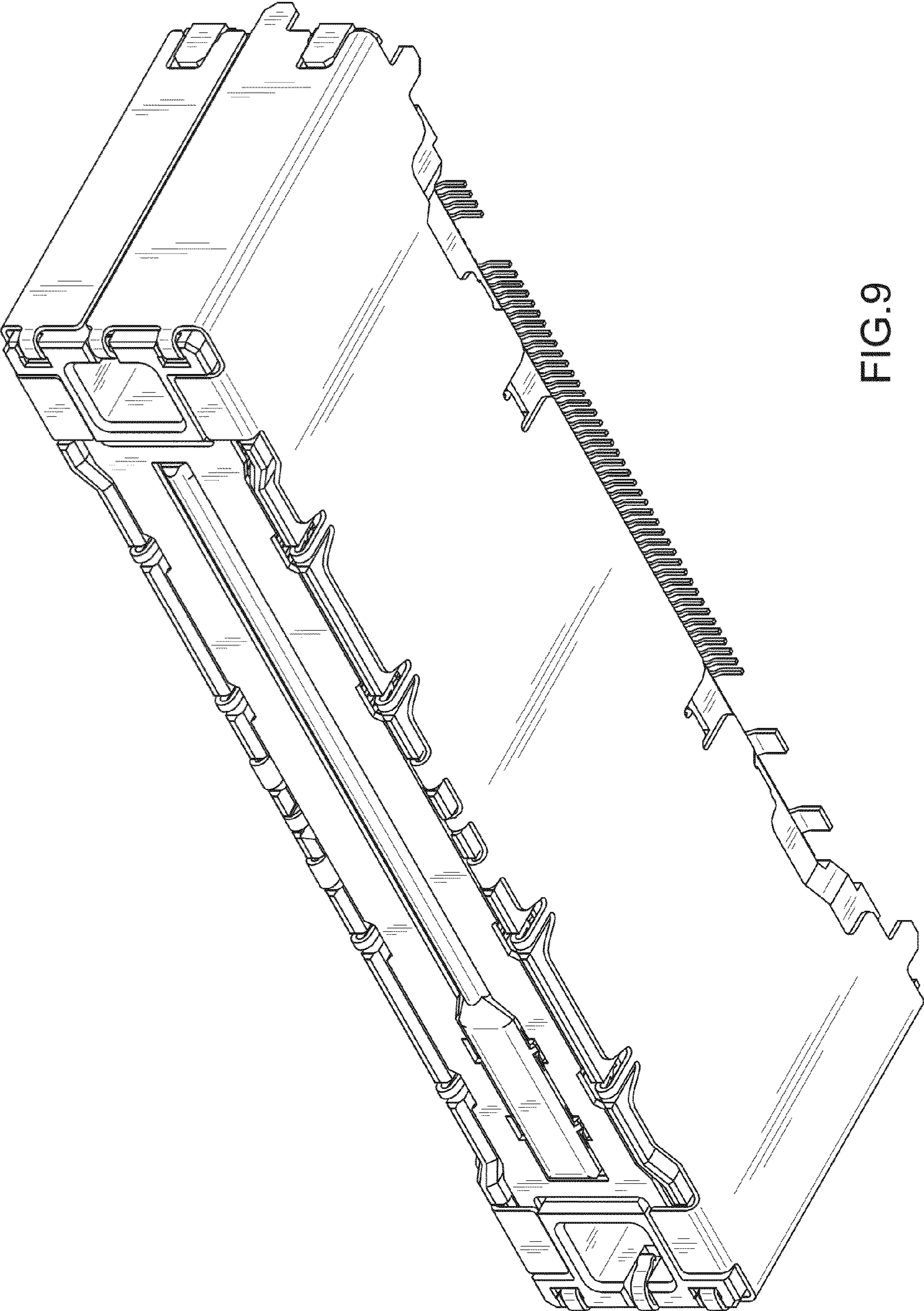


FIG.9

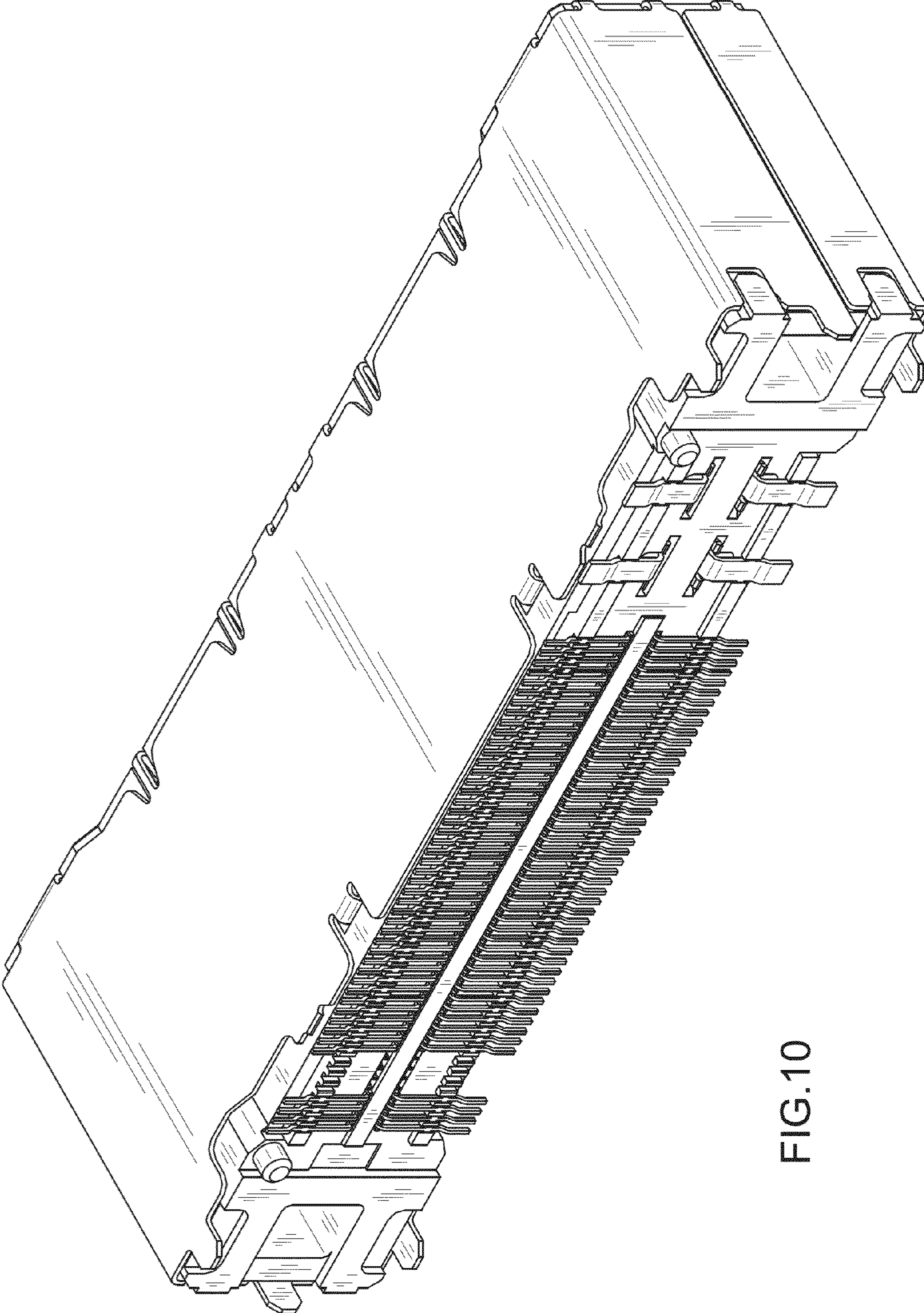


FIG.10

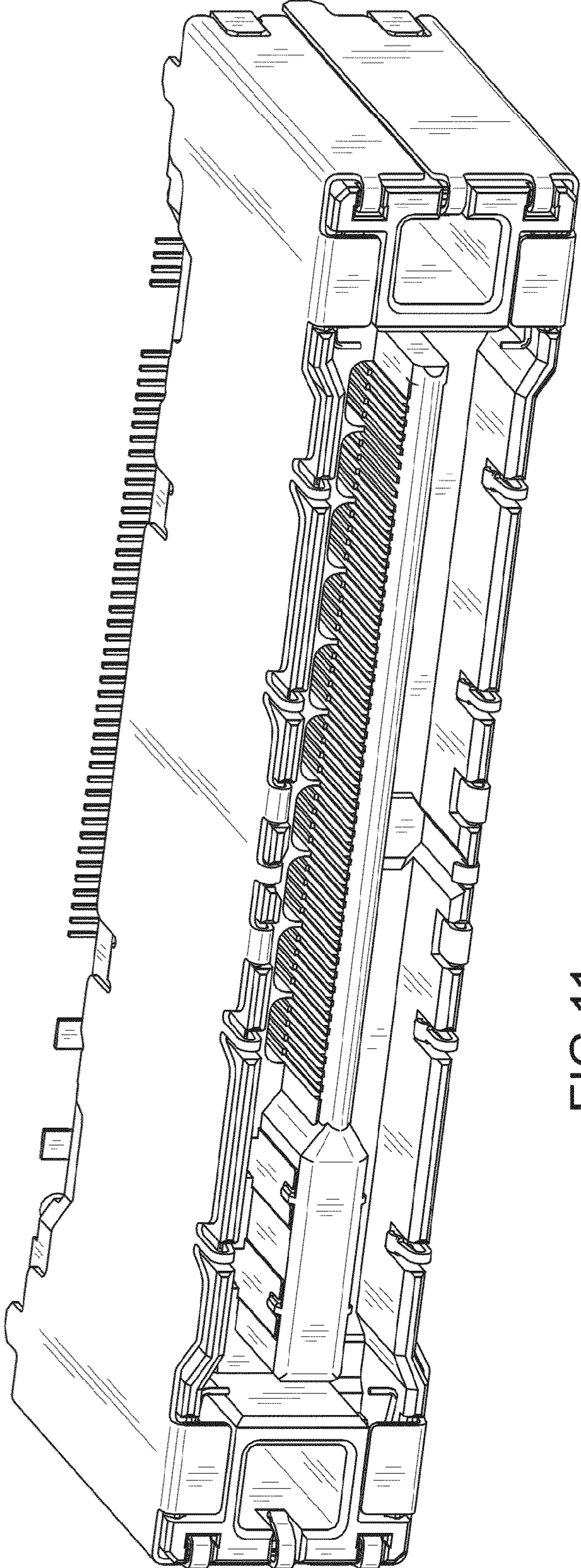


FIG.11

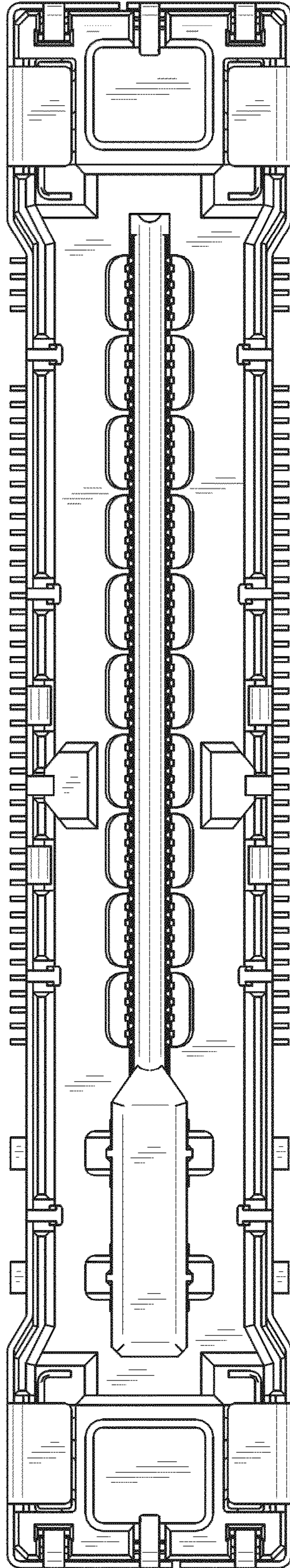


FIG.12

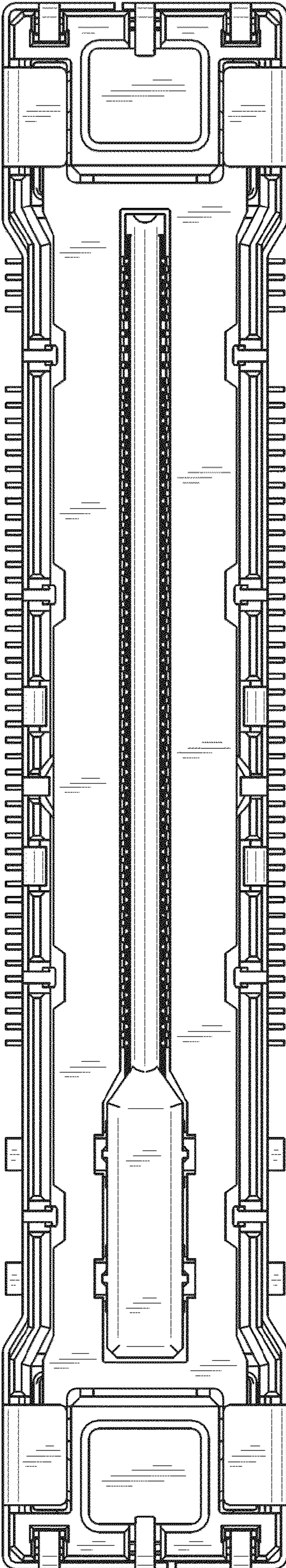


FIG.13

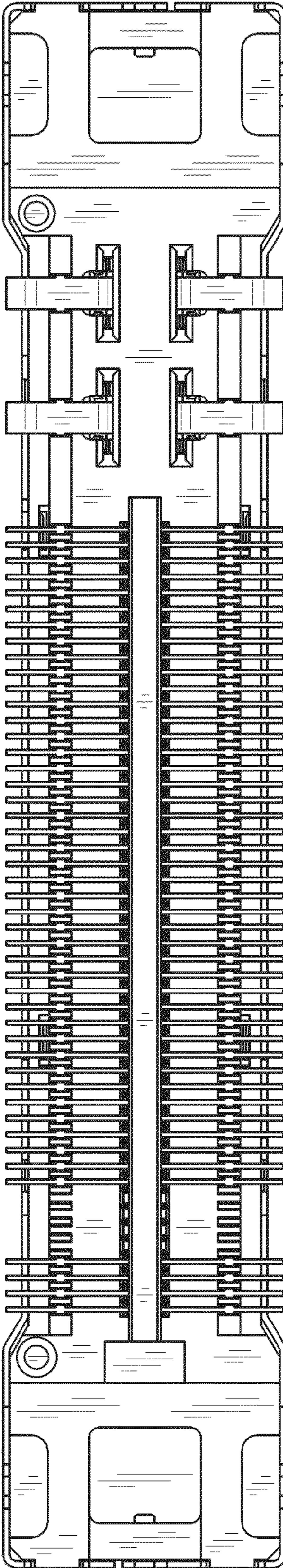


FIG.14

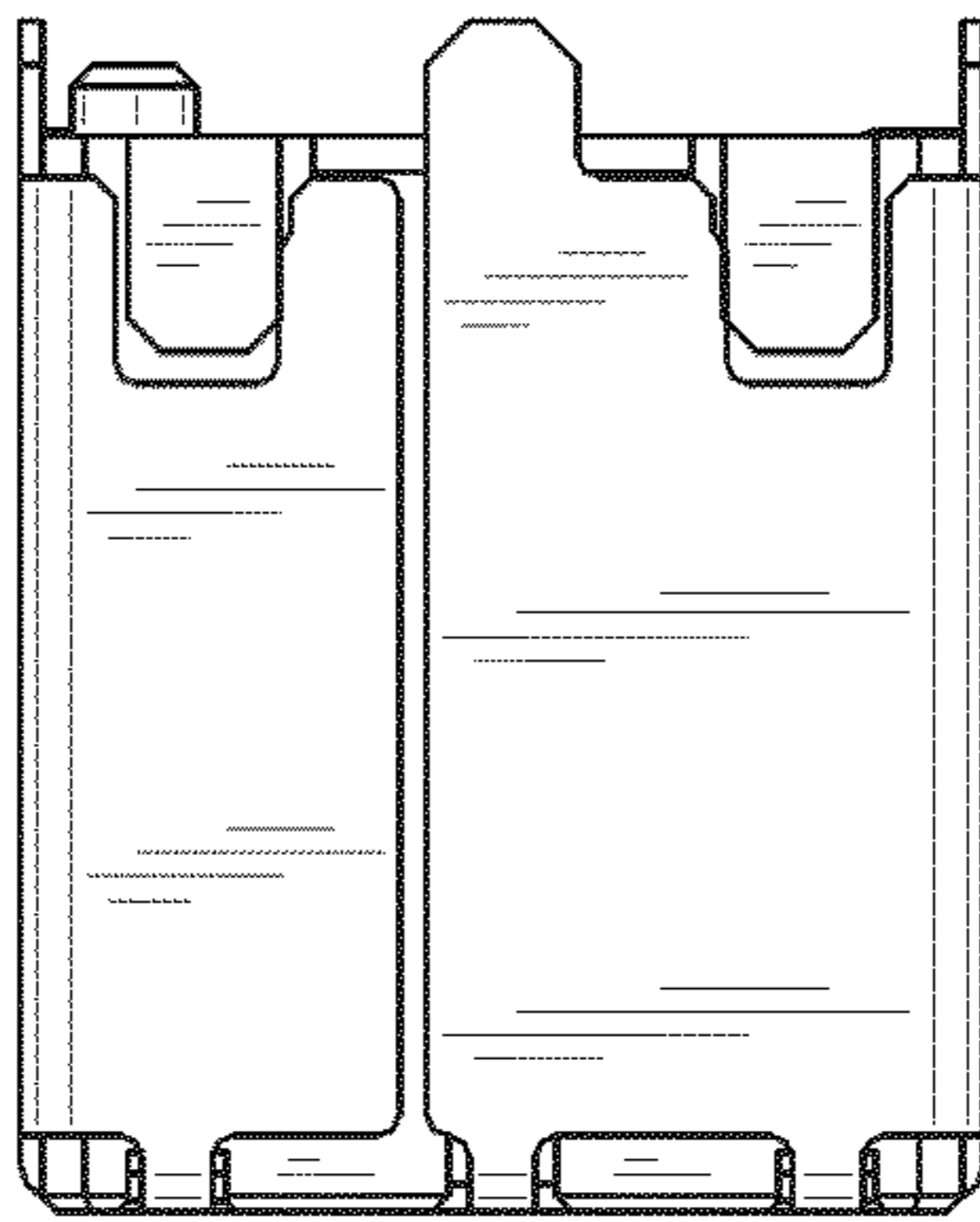


FIG.15

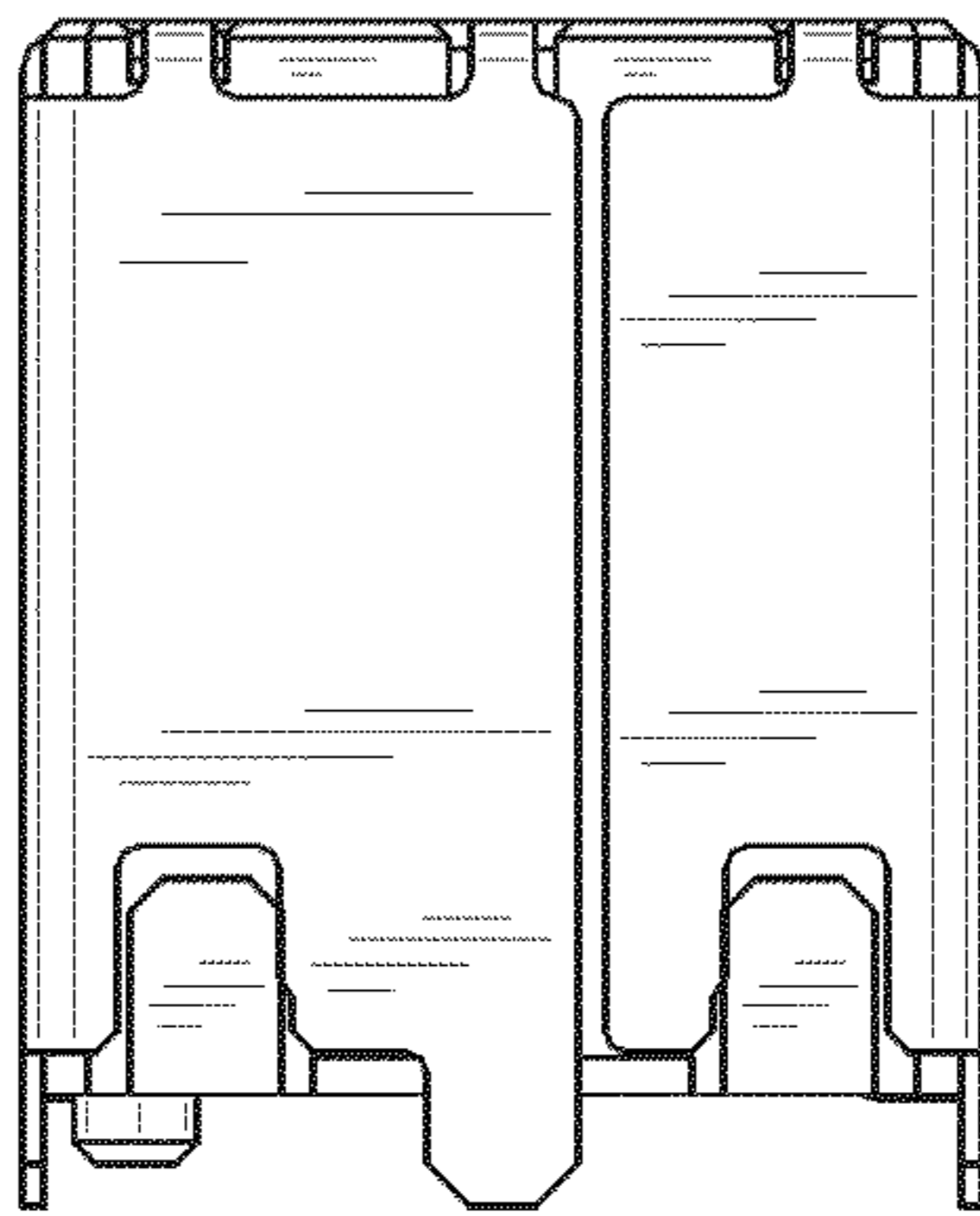


FIG.16

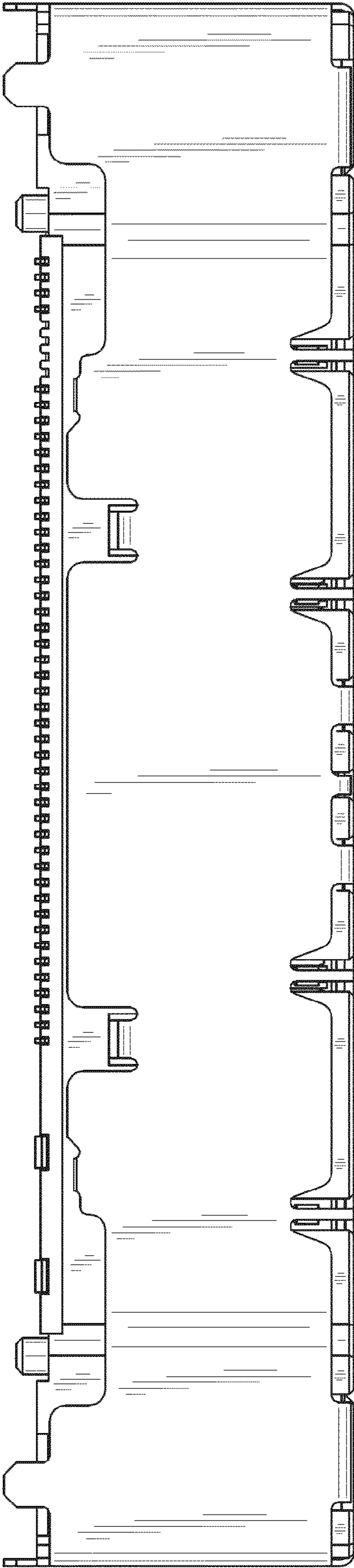


FIG.17

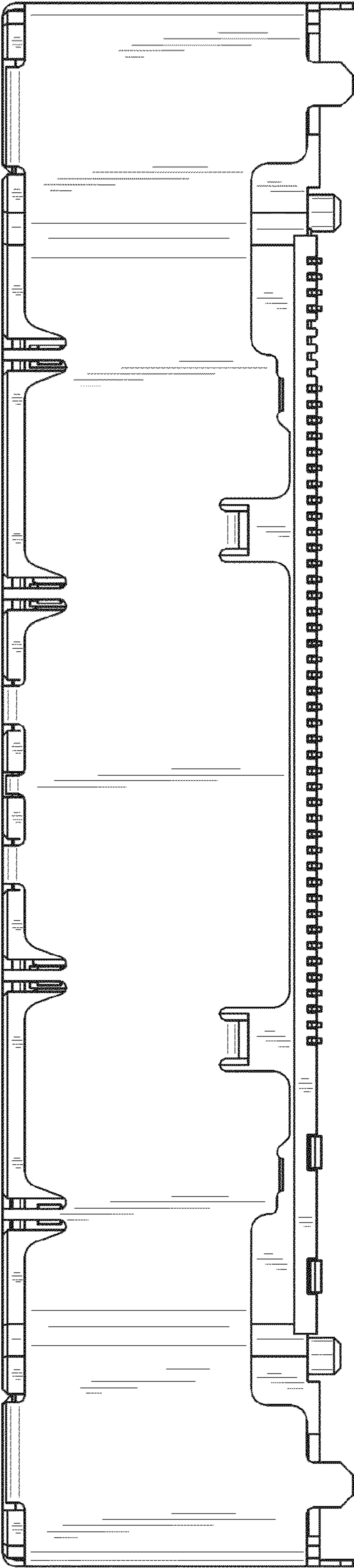


FIG.18

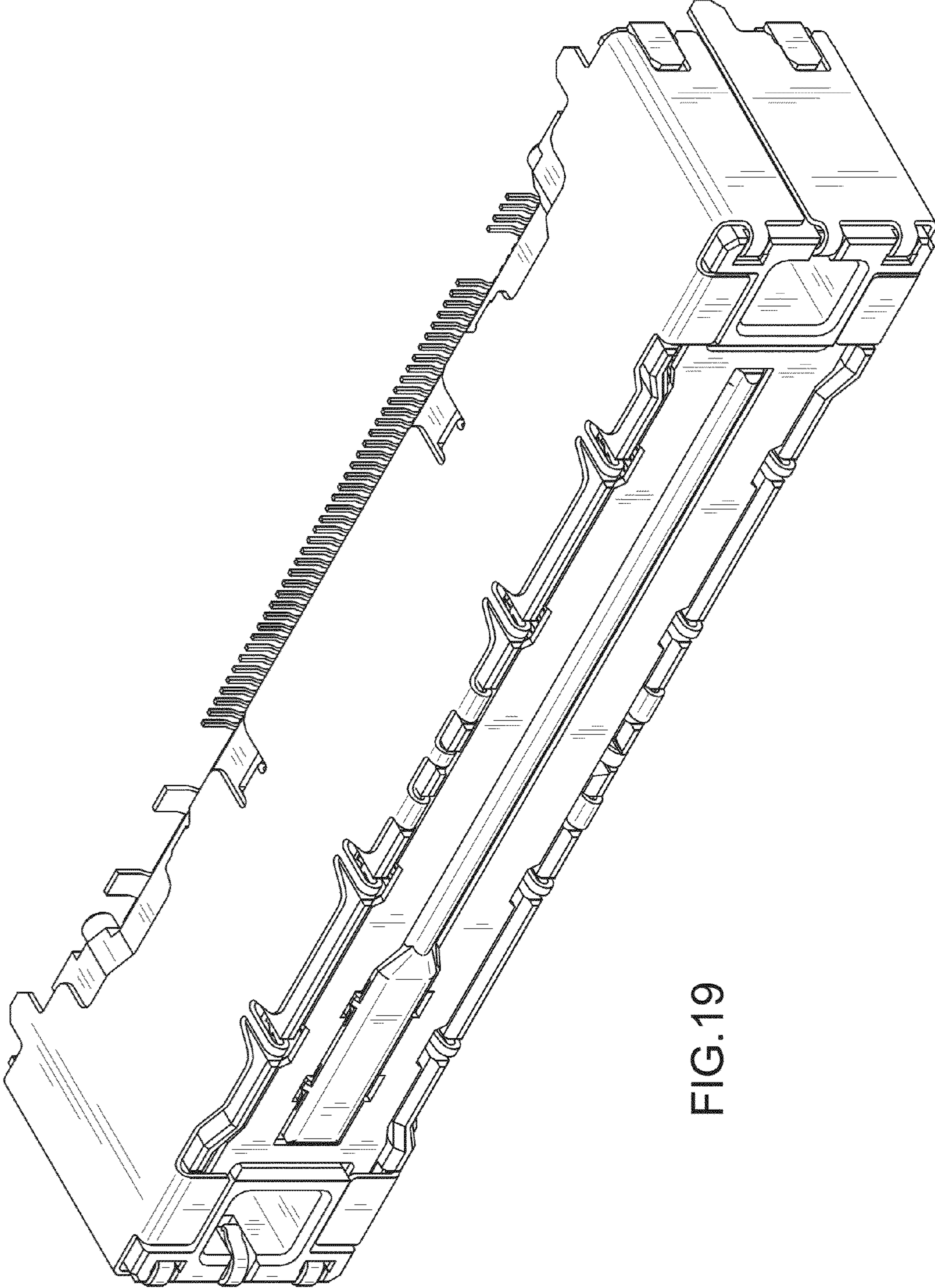


FIG.19

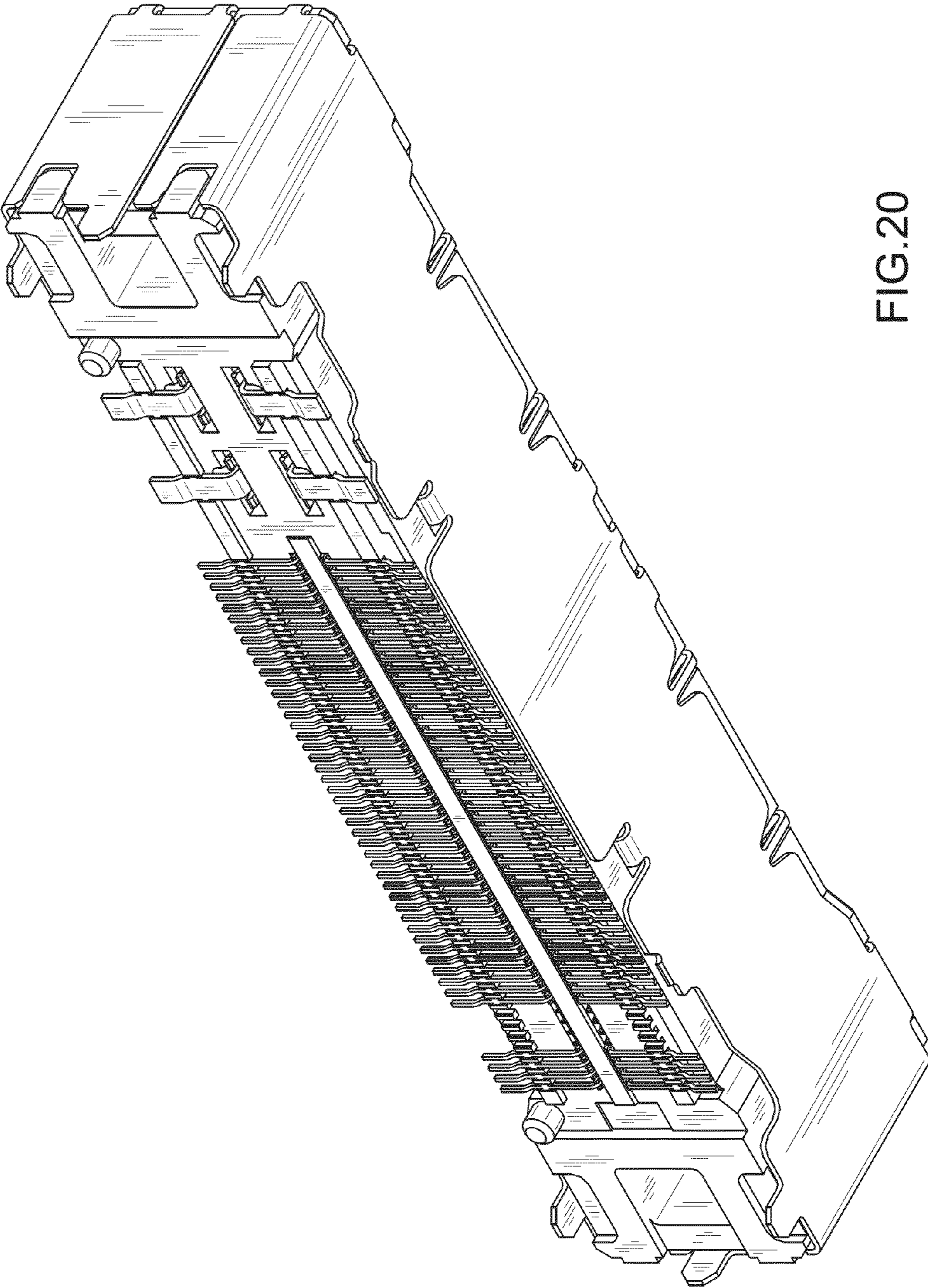


FIG.20

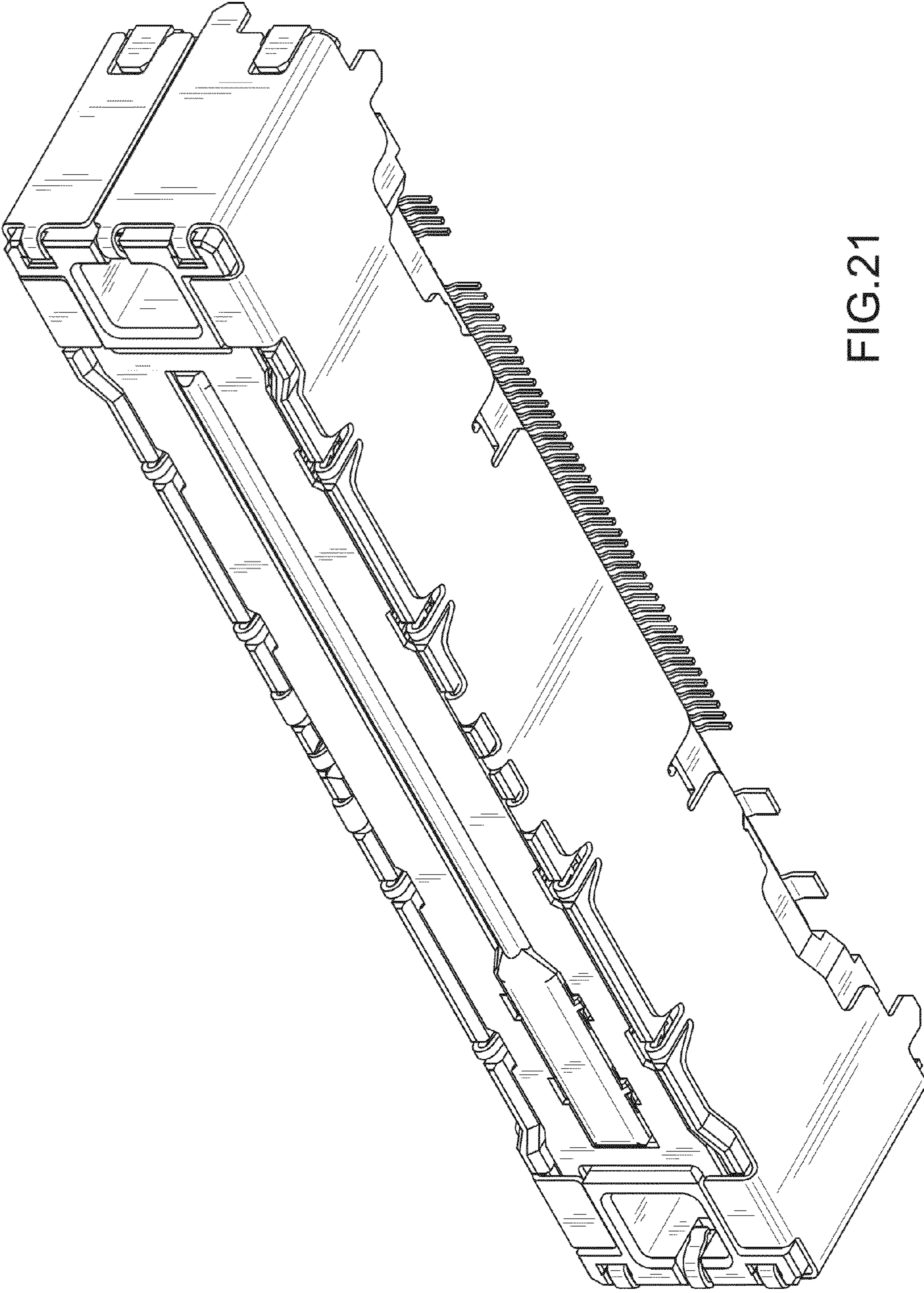


FIG.21

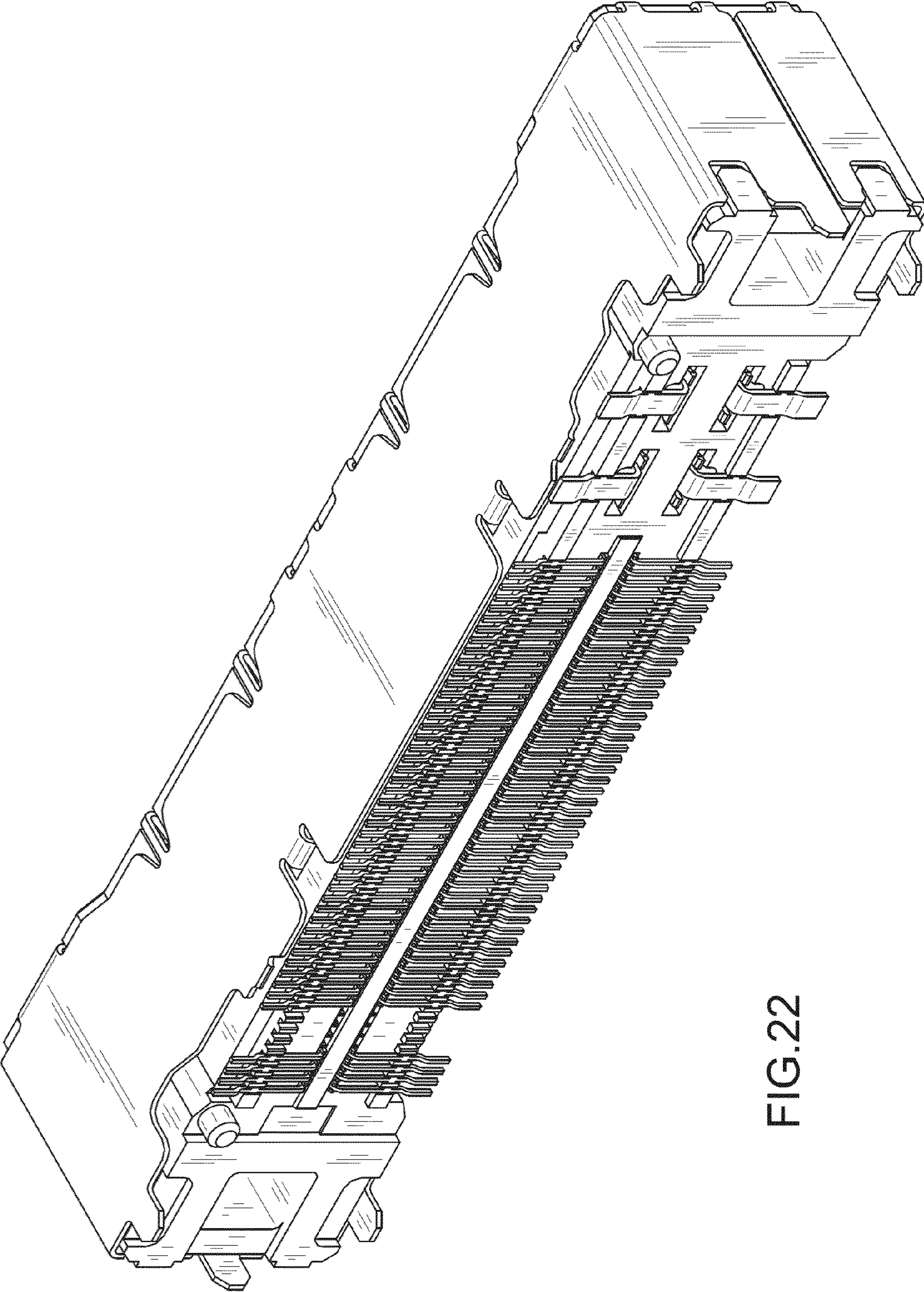


FIG.22

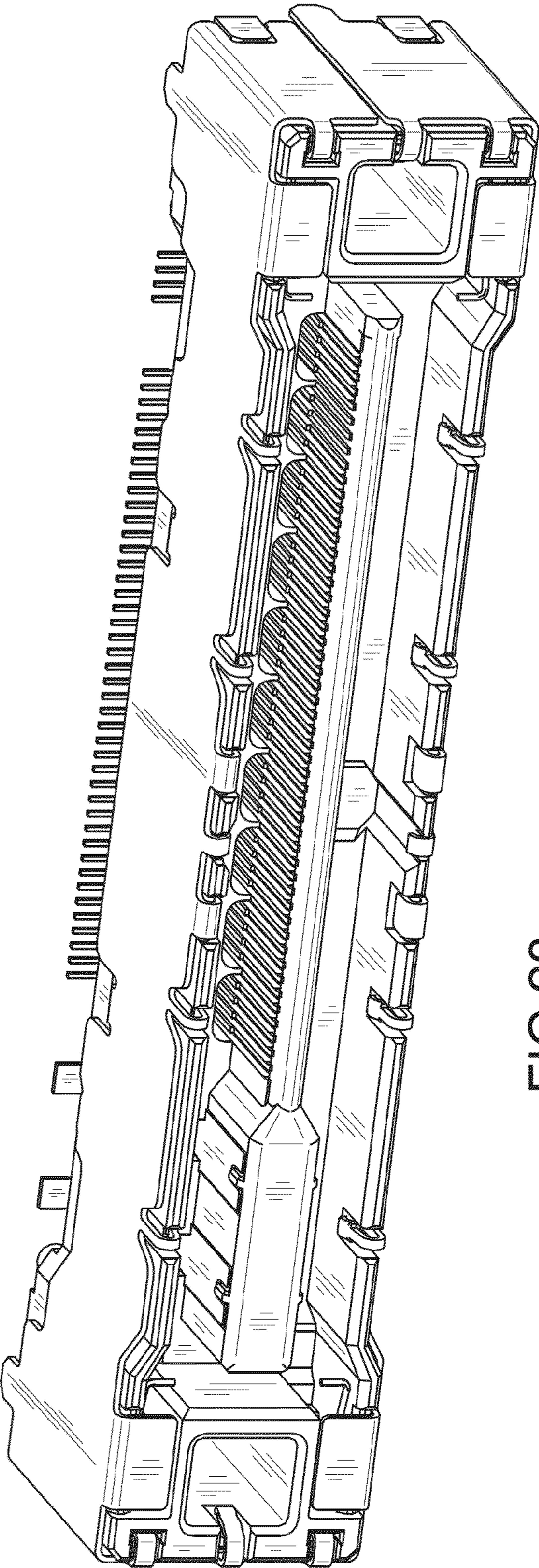


FIG.23

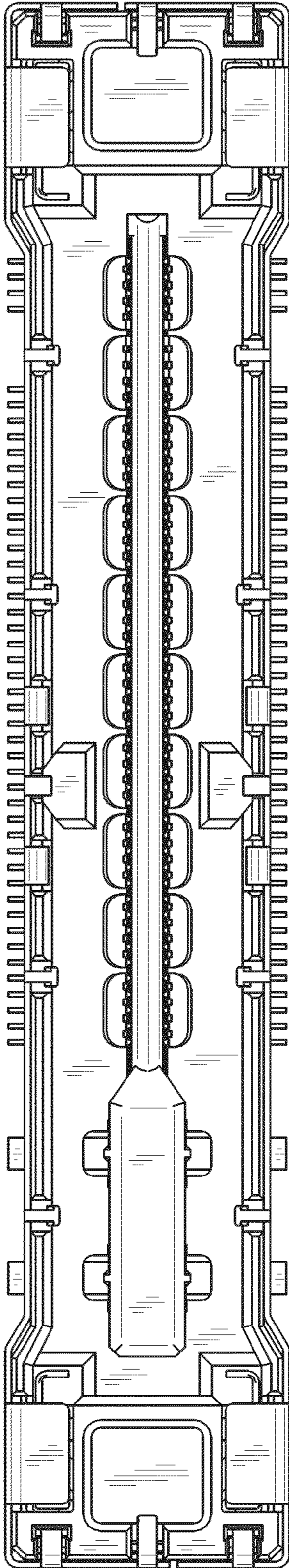


FIG.24

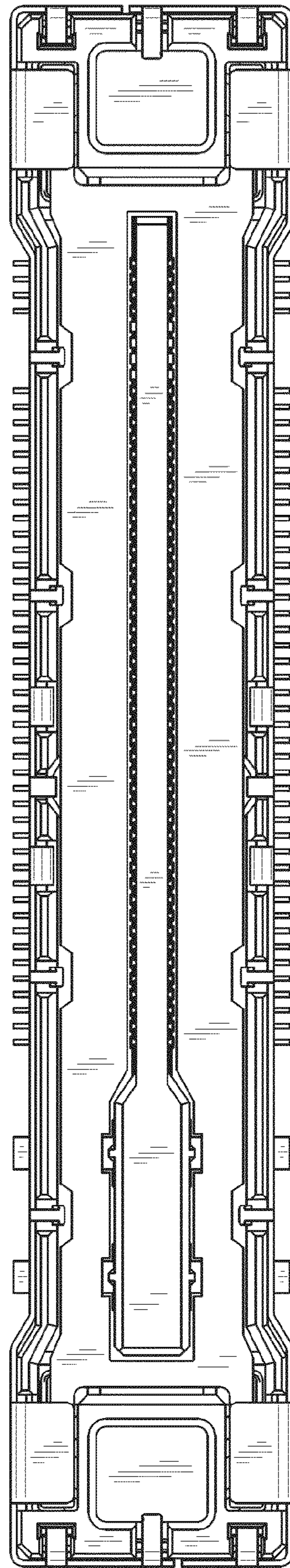


FIG.25

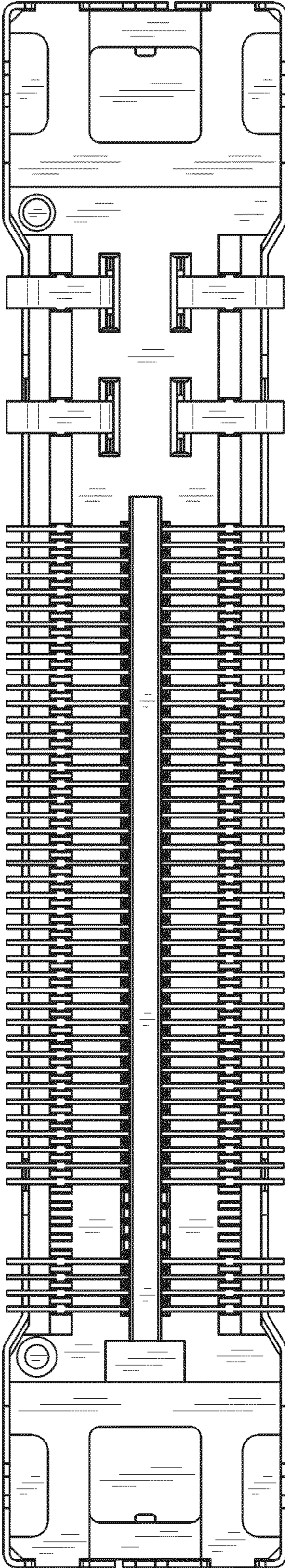


FIG.26

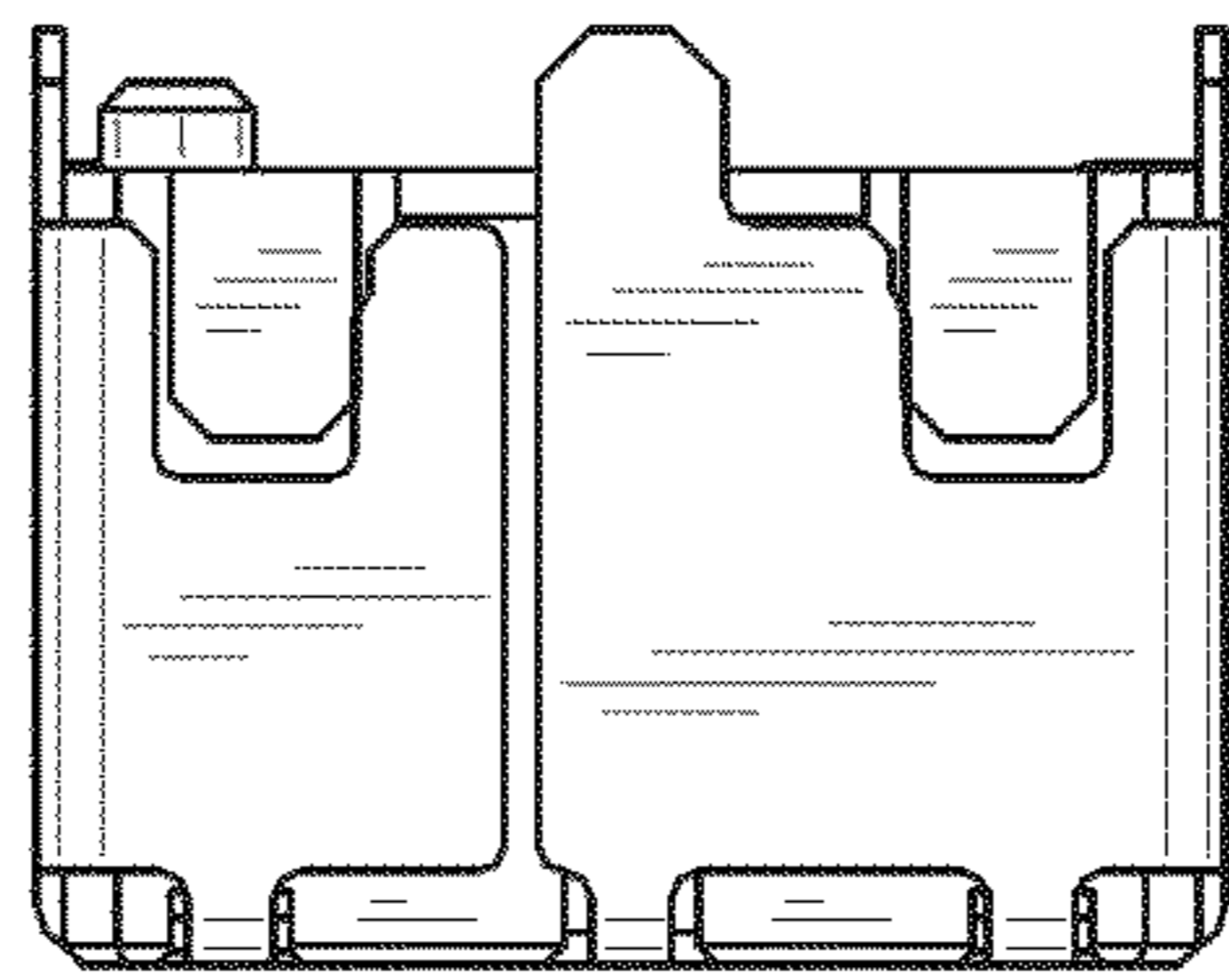


FIG.27

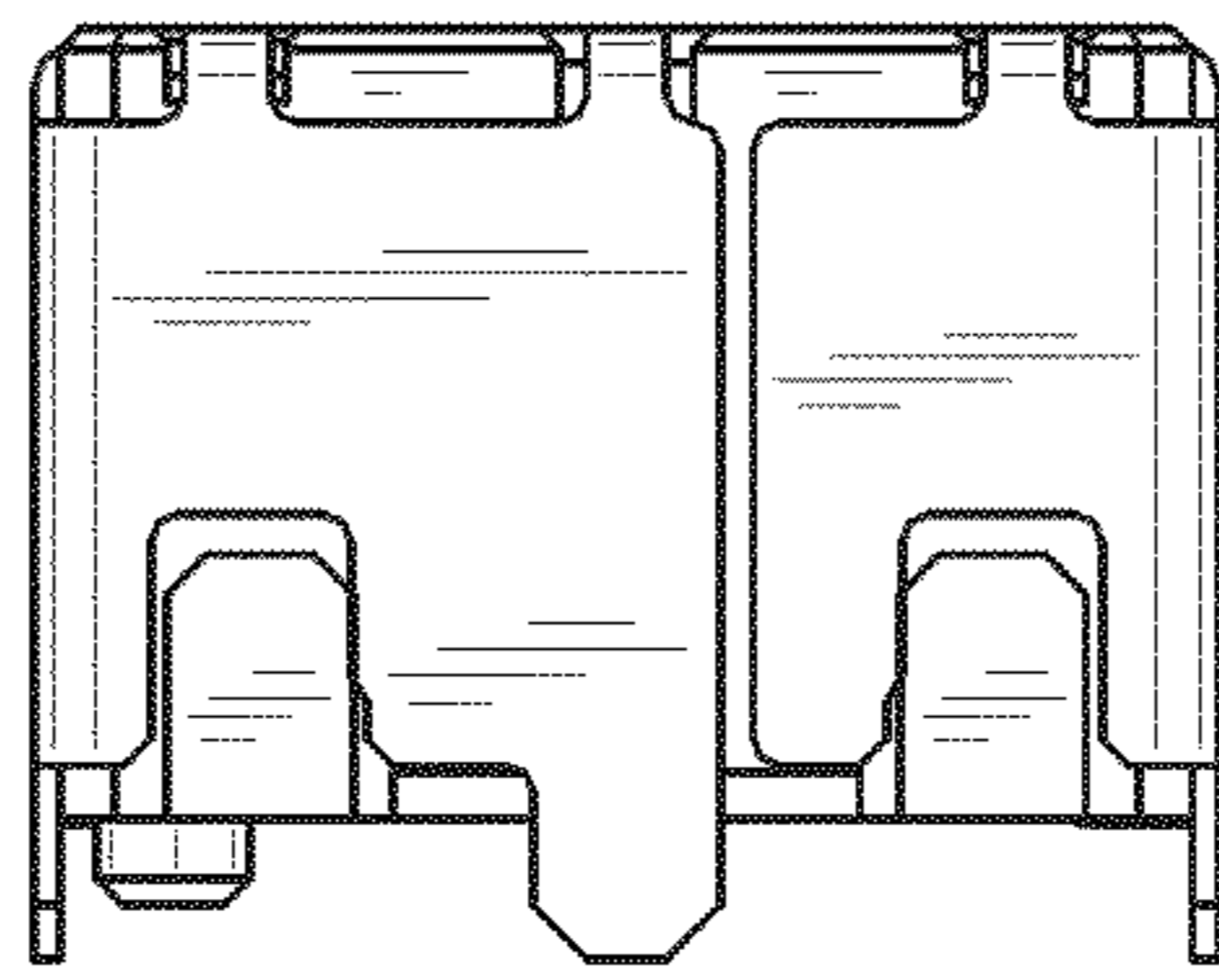


FIG.28

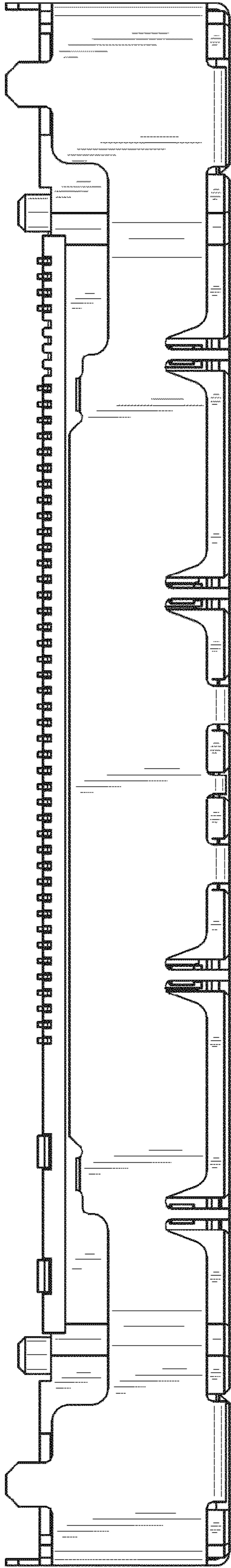


FIG. 29

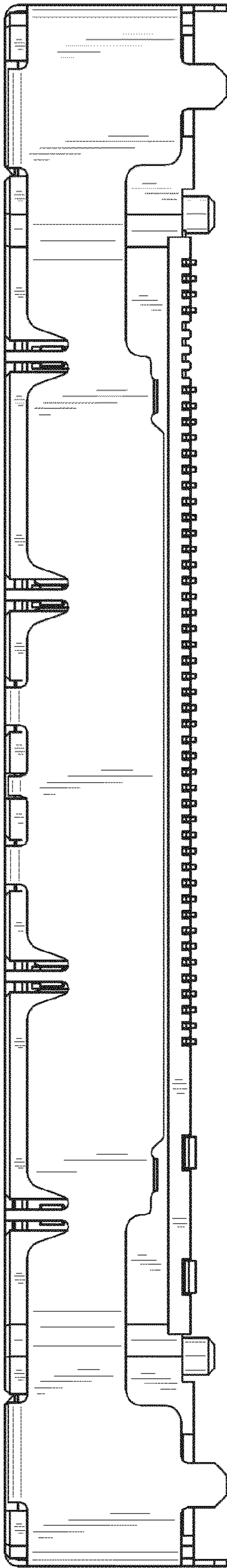


FIG.30

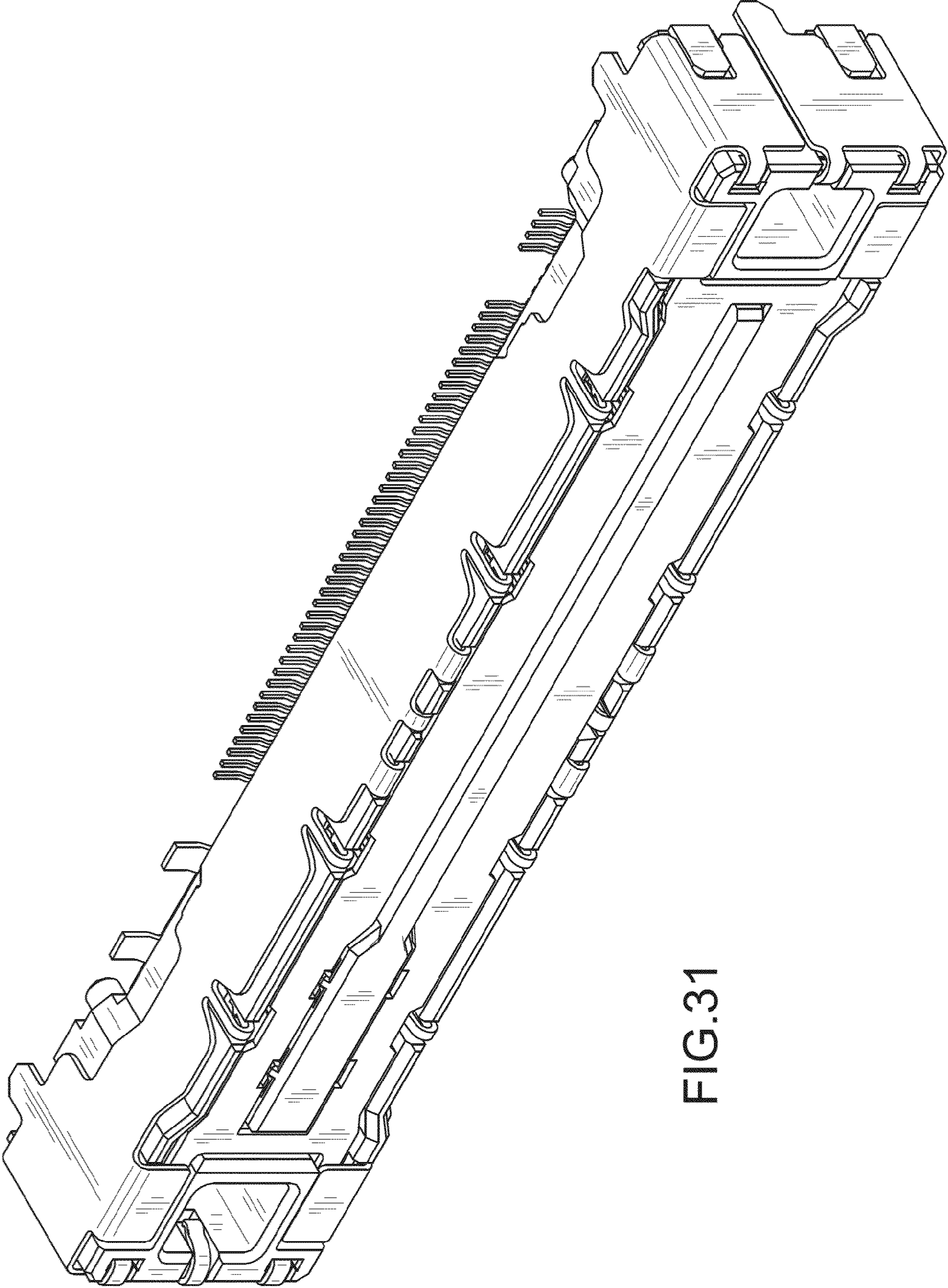


FIG.31

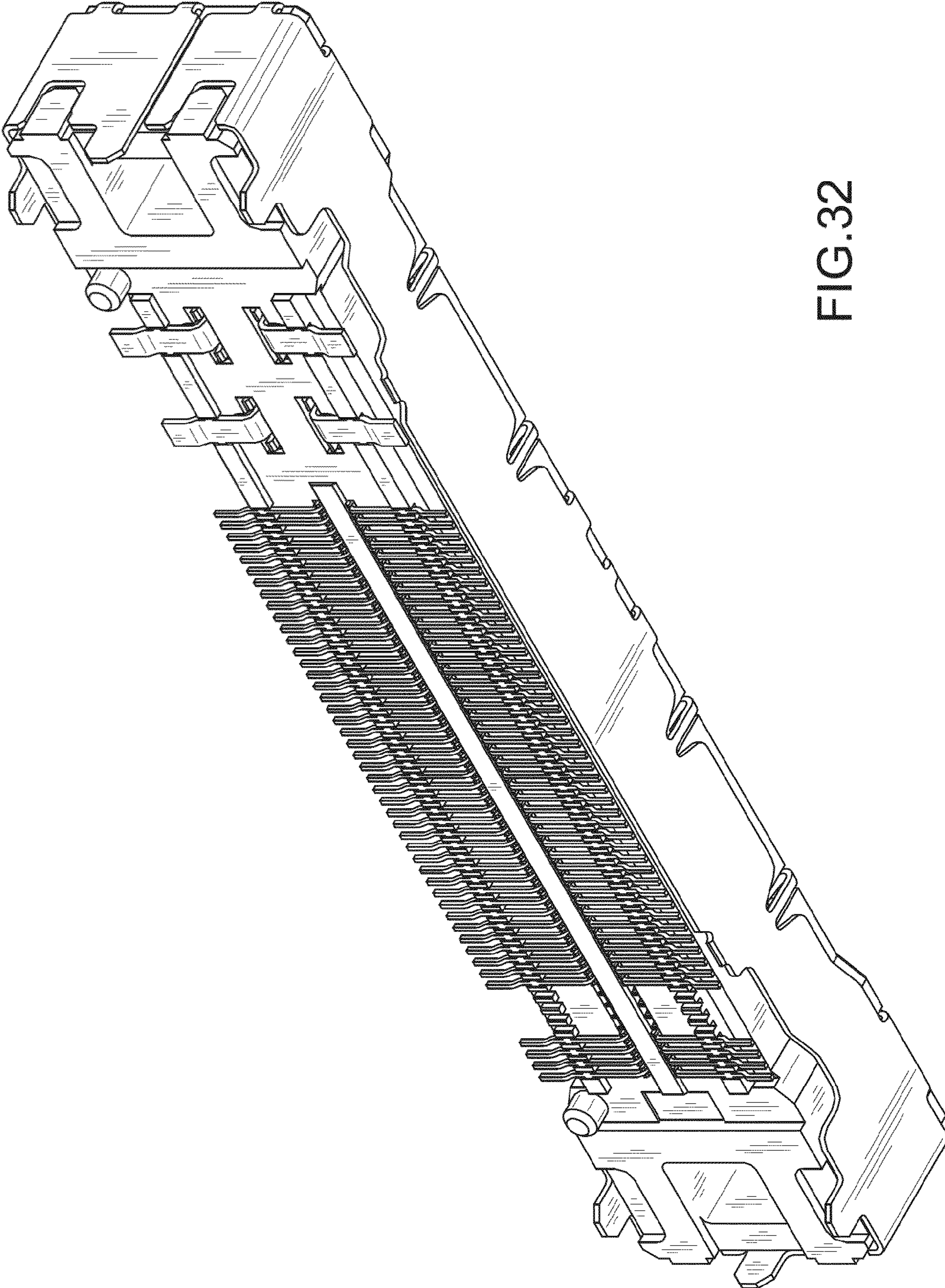


FIG.32

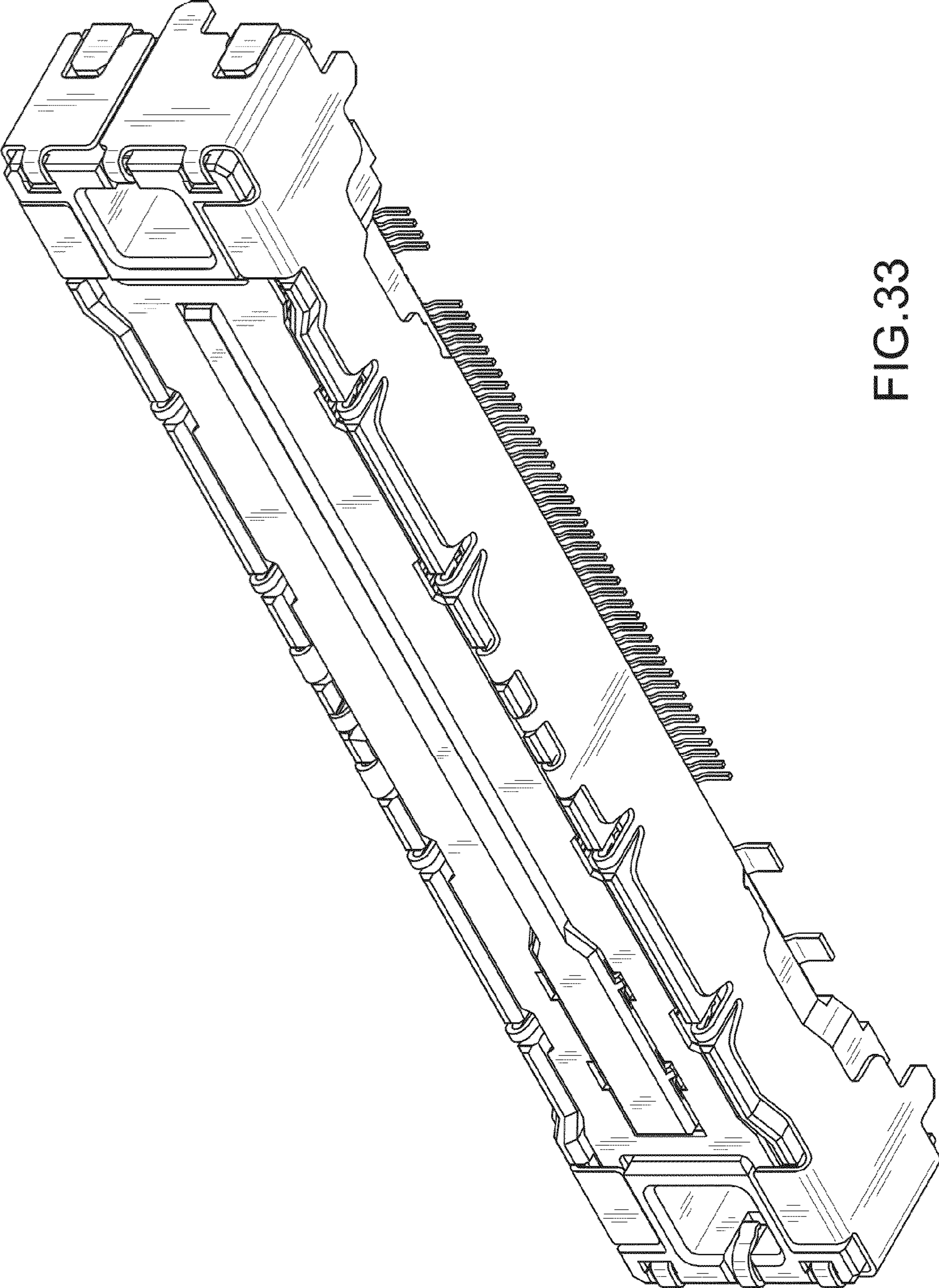


FIG.33

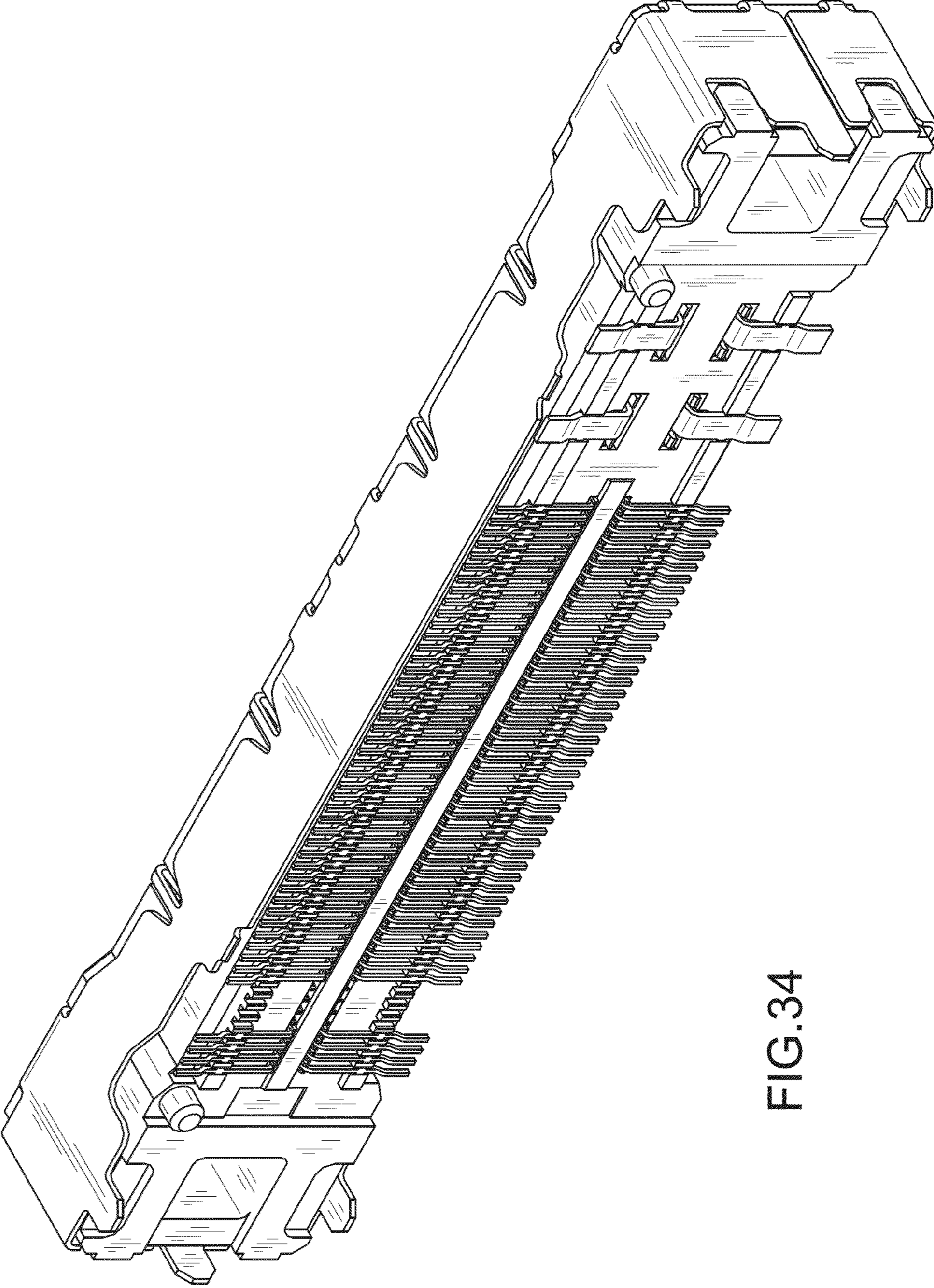


FIG.34

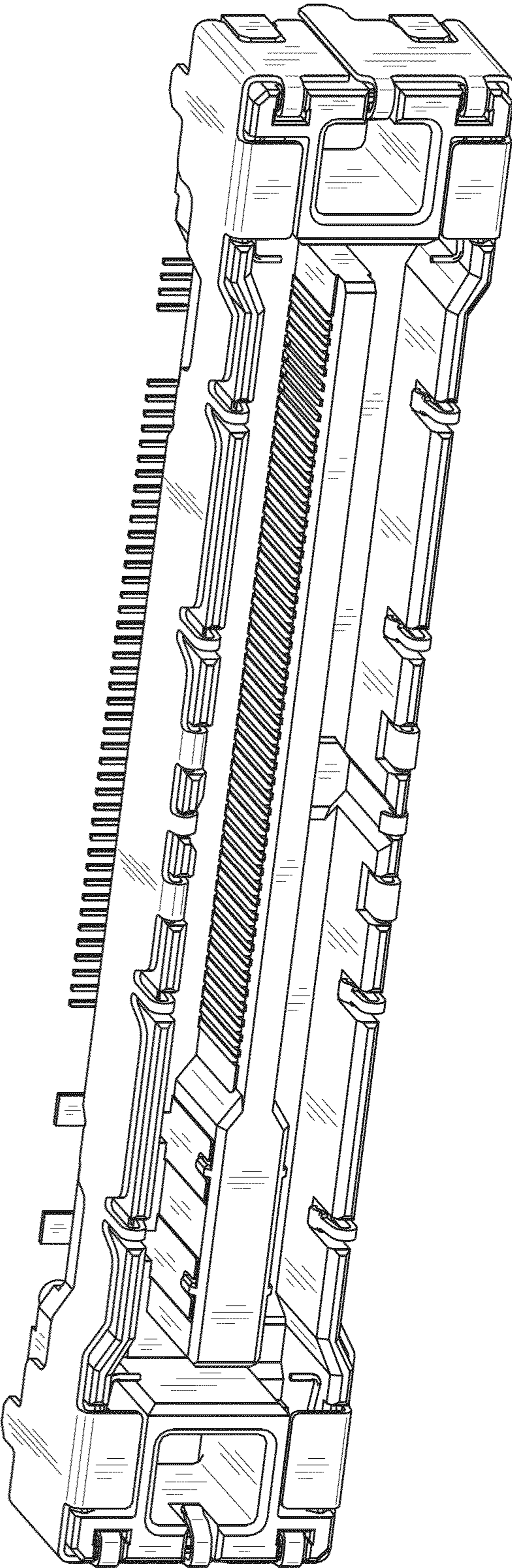


FIG.35

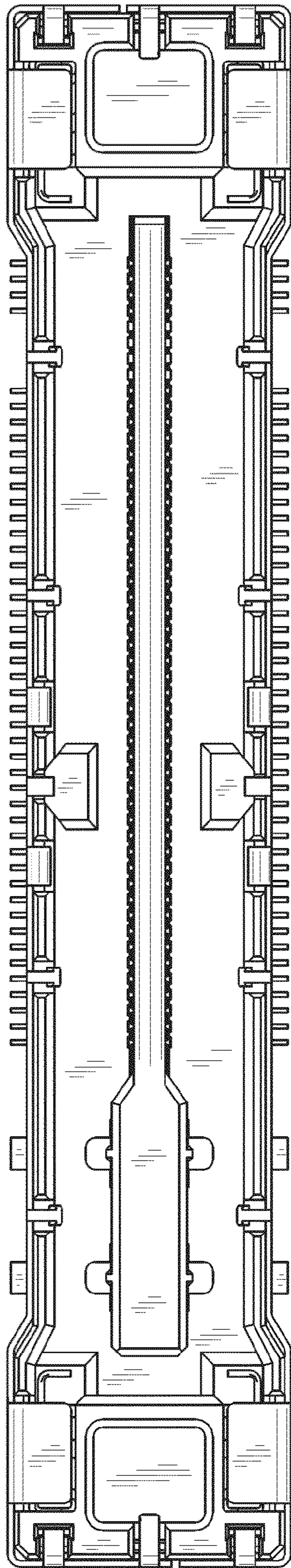


FIG. 36