

US00D699191S

(12) **United States Design Patent**
Yoshisuji

(10) **Patent No.:** **US D699,191 S**
(45) **Date of Patent:** **** Feb. 11, 2014**

(54) **ELECTRIC CONNECTOR**

- (71) Applicant: **Dai-Ichi Seiko Co., Ltd.**, Kyoto (JP)
- (72) Inventor: **Takashi Yoshisuji**, Machida (JP)
- (73) Assignee: **Dai-Ichi Seiko Co., Ltd.**, Kyoto-shi (JP)
- (**) Term: **14 Years**
- (21) Appl. No.: **29/447,042**
- (22) Filed: **Feb. 28, 2013**

(30) **Foreign Application Priority Data**

- Sep. 5, 2012 (JP) 2012-021396
- (51) **LOC (10) Cl.** **13-03**
- (52) **U.S. Cl.**
USPC **D13/147**
- (58) **Field of Classification Search**
USPC D13/147, 154, 184, 199; 439/79, 108,
439/350, 353, 357, 378, 476.1, 489, 587,
439/594, 595, 598, 607.01, 607.04, 607.05,
439/607.17, 607.25, 607.34, 607.41,
439/607.53, 656, 660, 668, 680, 711, 745,
439/752
See application file for complete search history.

(56) **References Cited**

U.S. PATENT DOCUMENTS

- D489,335 S * 5/2004 Ko D13/147
- D530,674 S * 10/2006 Ko D13/147
- D583,765 S * 12/2008 Chiang D13/147
- D598,862 S * 8/2009 Chen D13/147
- D602,439 S * 10/2009 Yu et al. D13/147
- D626,077 S * 10/2010 Huang D13/147
- 2012/0238125 A1 9/2012 Yoshisuji et al.

FOREIGN PATENT DOCUMENTS

- JP S-1085006 9/2000
- JP S-1196337 2/2004
- JP S-1277615 7/2006
- JP S-1385596 4/2010

OTHER PUBLICATIONS

- U.S. Appl. No. 29/454,279, filed May 8, 2013, Yoshisuji.
- U.S. Appl. No. 29/454,268, filed May 8, 2013, Yoshisuji.
- U.S. Appl. No. 29/457,234, filed Jun. 7, 2013, Yoshisuji.
- U.S. Appl. No. 29/457,252, filed Jun. 7, 2013, Yoshisuji.
- U.S. Appl. No. 29/402,240, filed Sep. 22, 2011, Yoshisuji.
- U.S. Appl. No. 29/402,237, filed Sep. 22, 2011, Yoshisuji.
- U.S. Appl. No. 29/402,872, filed Sep. 28, 2011, Yoshisuji.
- U.S. Appl. No. 13/595,147, filed Aug. 27, 2012, Yoshisuji, et al.

* cited by examiner

Primary Examiner — Daniel Bui

(74) *Attorney, Agent, or Firm* — Oblon, Spivak, McClelland, Maier & Neustadt, L.L.P.

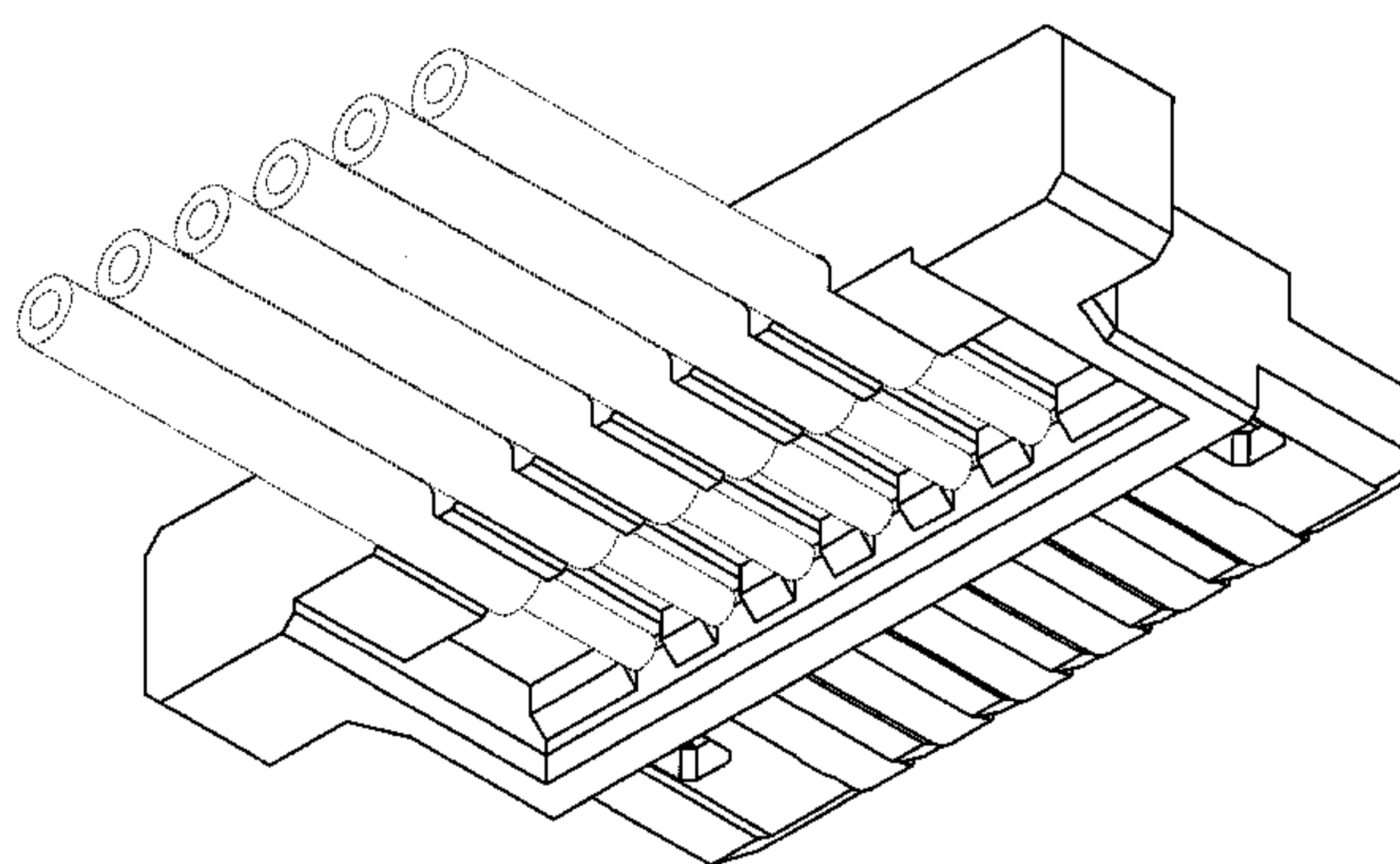
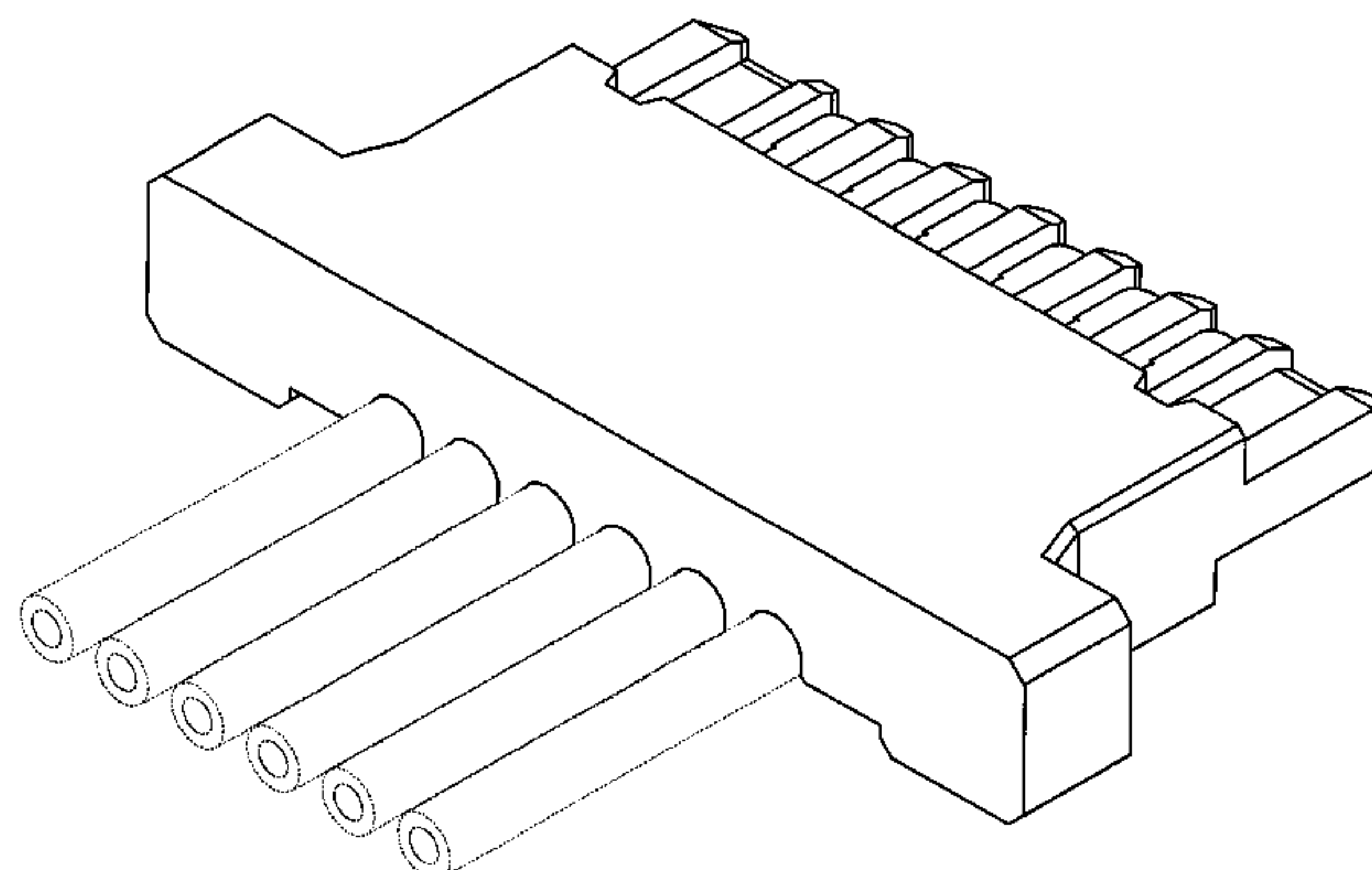
(57) **CLAIM**

The ornamental design for an electric connector, as shown and described.

DESCRIPTION

FIG. 1 is a top plan view of an electric connector of an embodiment showing my new design;
 FIG. 2 is a front elevational view thereof;
 FIG. 3 is a bottom plan view thereof;
 FIG. 4 is a rear elevational view thereof;
 FIG. 5 is a right side elevational view thereof;
 FIG. 6 is a rear, top, and left side perspective view thereof in use condition; and,
 FIG. 7 is a rear, bottom, and left side perspective view thereof in use condition.
 The broken line in the figure drawing views is included for the purpose of illustrating environment and forms no part of the claimed design.

1 Claim, 7 Drawing Sheets



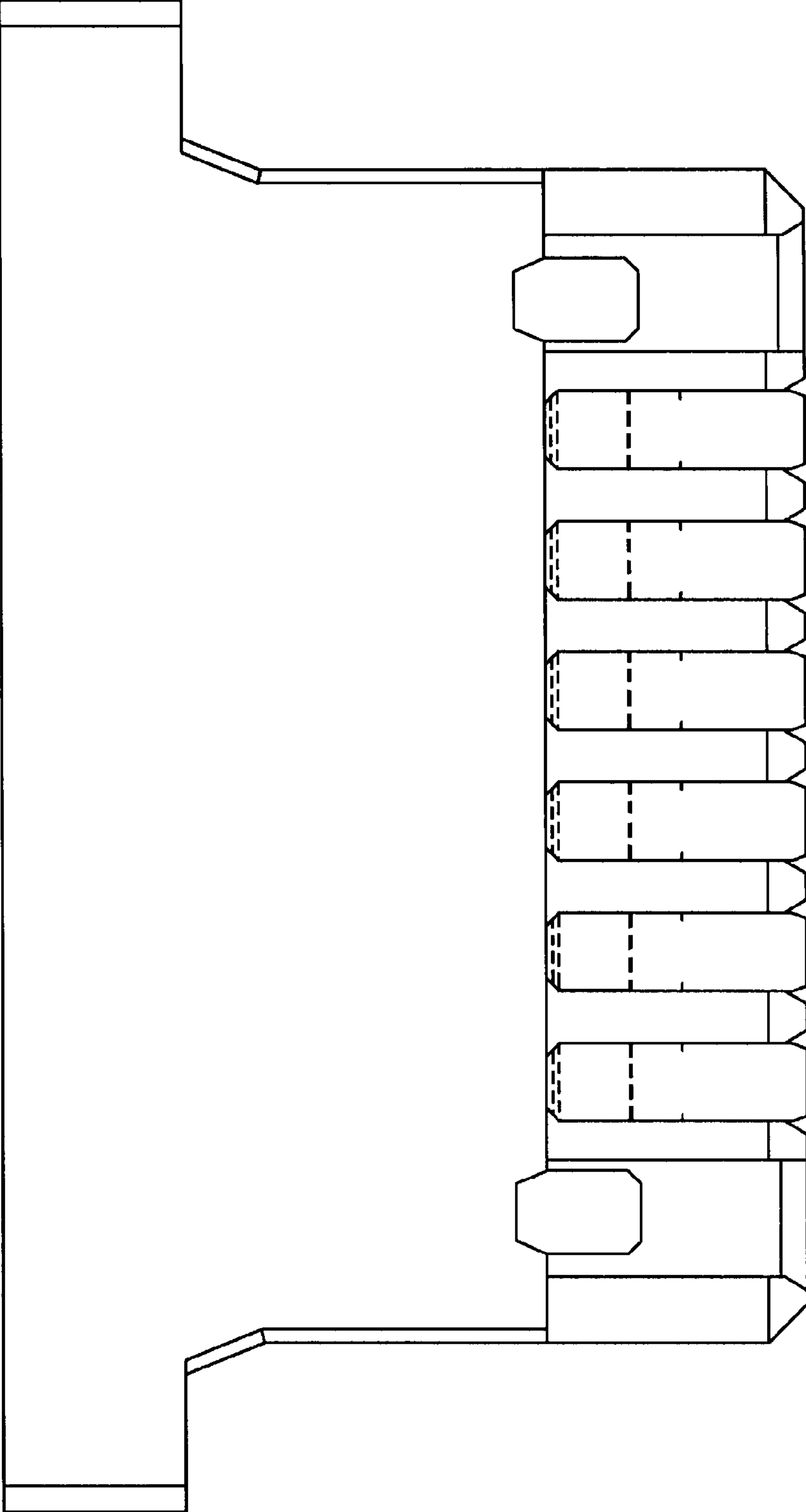


FIG.1

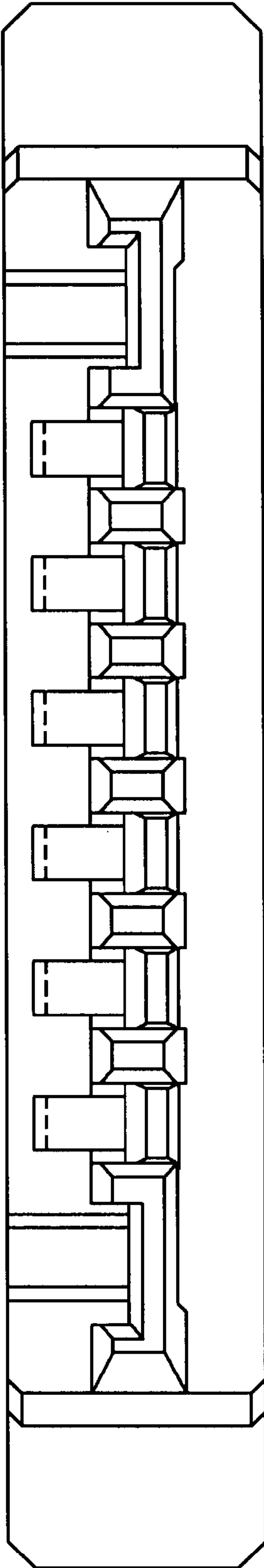


FIG. 2

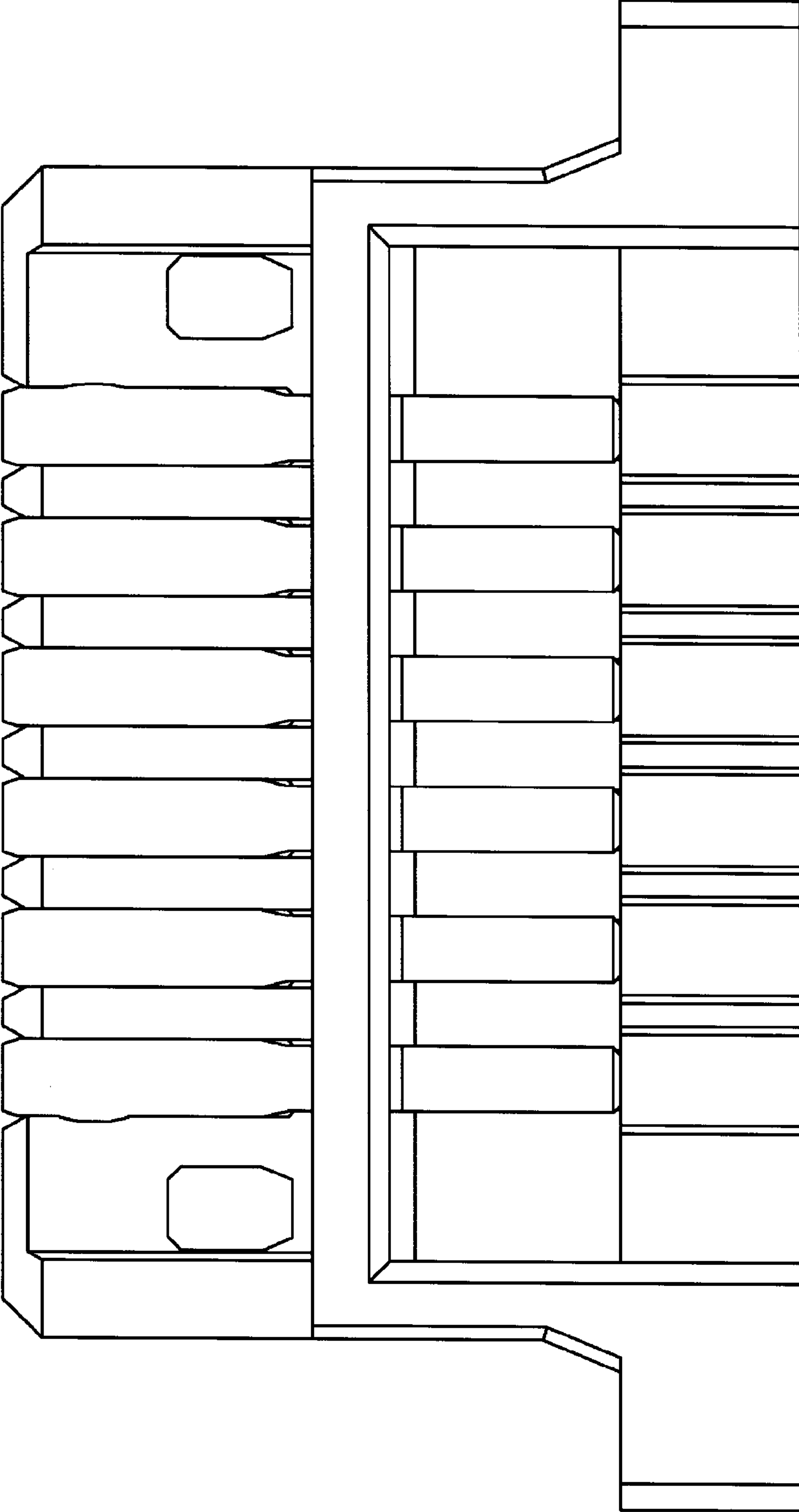


FIG. 3

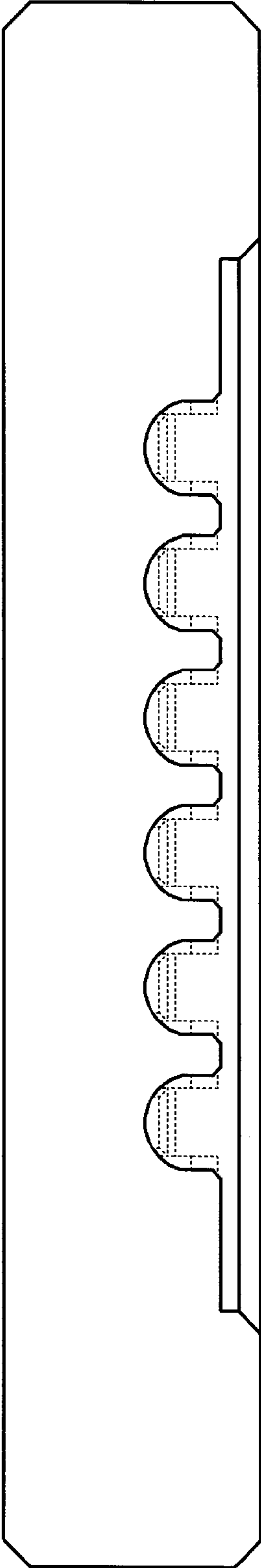


FIG.4

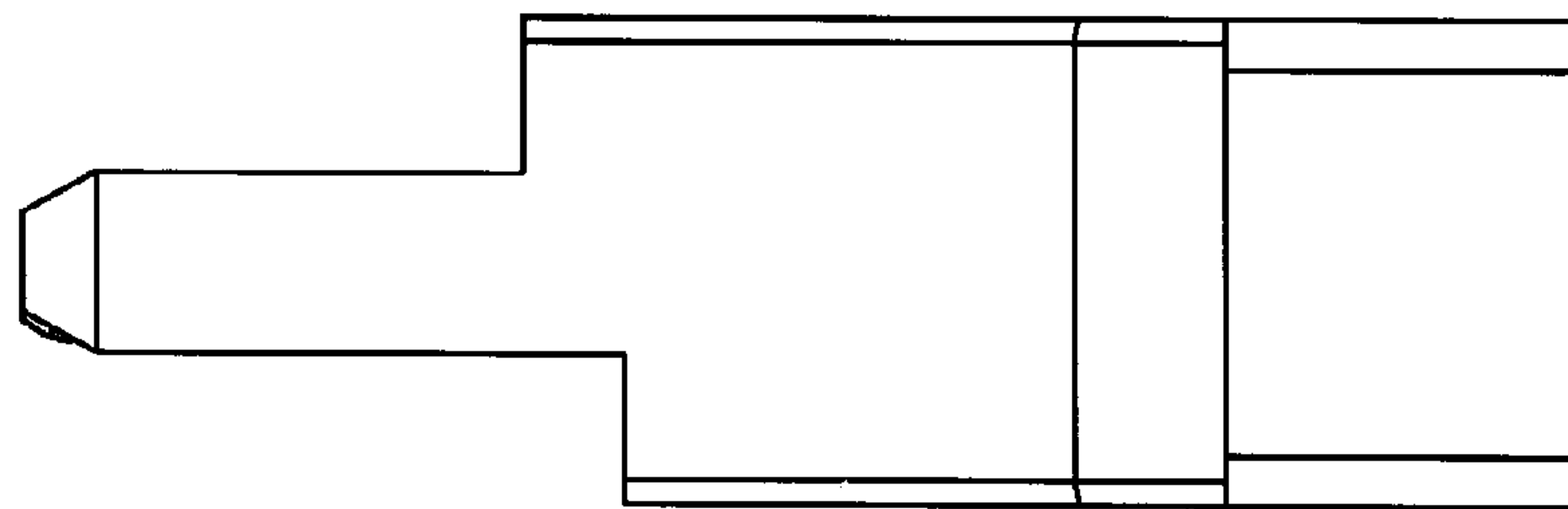


FIG.5

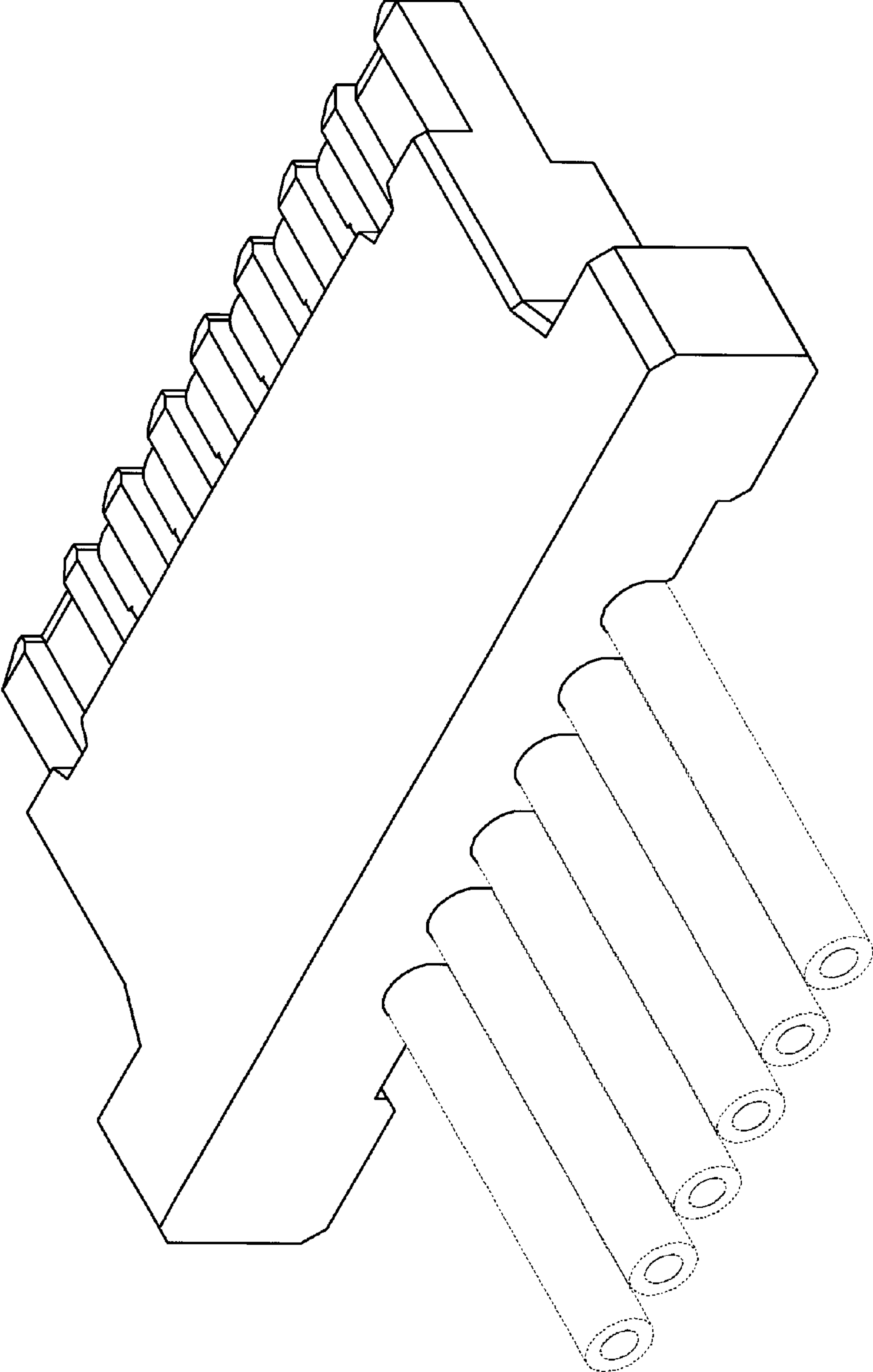


FIG.6

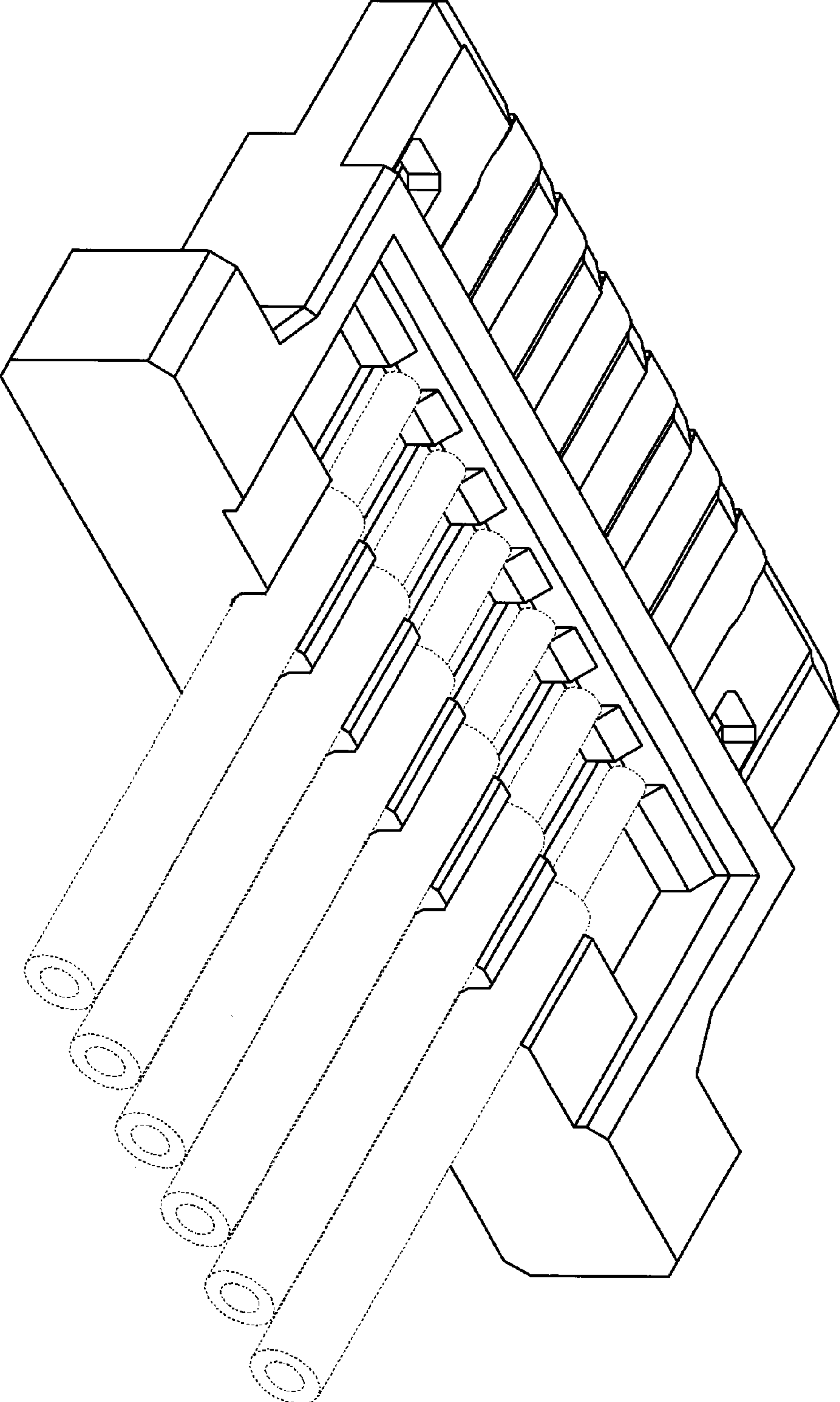


FIG.7