

US00D699190S

(12) **United States Design Patent**  
**Obata et al.**

(10) **Patent No.:** **US D699,190 S**

(45) **Date of Patent:** **\*\* Feb. 11, 2014**

(54) **ELECTRICAL CONNECTOR**

(71) Applicant: **Japan Aviation Electronics Industry, Limited, Tokyo (JP)**

(72) Inventors: **Yusuke Obata, Tokyo (JP); Masakazu Kuroiwa, Tokyo (JP); Yoshinobu Yamamoto, Tokyo (JP); Nobuyasu Oiri, Tokyo (JP); Katsumi Takegawa, Tokyo (JP)**

(73) Assignee: **Japan Aviation Electronics Industry, Limited, Tokyo (JP)**

(\*\*) Term: **14 Years**

(21) Appl. No.: **29/443,322**

(22) Filed: **Jan. 16, 2013**

(30) **Foreign Application Priority Data**

Aug. 7, 2012 (JP) ..... 2012-018922

(51) **LOC (10) Cl.** ..... **13-03**

(52) **U.S. Cl.**  
USPC ..... **D13/147**

(58) **Field of Classification Search**  
USPC ..... D13/146, 147, 154, 184, 199;  
439/78-79, 82, 155, 157, 160, 180,  
439/246, 252, 278, 310, 350-354, 357, 358,  
439/372, 374, 378-379, 381, 527, 529, 533,  
439/660, 676-677, 680, 686, 692, 752, 892,  
439/894

See application file for complete search history.

(56) **References Cited**

U.S. PATENT DOCUMENTS

|              |        |                     |         |
|--------------|--------|---------------------|---------|
| D366,454 S * | 1/1996 | Eaton .....         | D13/147 |
| D367,040 S * | 2/1996 | Hamada .....        | D13/147 |
| D409,574 S * | 5/1999 | Shimojo et al. .... | D13/147 |
| D427,565 S * | 7/2000 | Lok .....           | D13/147 |
| D459,309 S * | 6/2002 | Tanaka .....        | D13/147 |
| D460,048 S * | 7/2002 | Watanabe .....      | D13/147 |
| D620,890 S   | 8/2010 | Tanaka et al.       |         |
| D620,891 S   | 8/2010 | Tanaka et al.       |         |

\* cited by examiner

*Primary Examiner* — Daniel Bui

(74) *Attorney, Agent, or Firm* — Cermak Nakajima LLP; Tomoko Nakajima

(57) **CLAIM**

The ornamental design for an electrical connector, as shown and described.

**DESCRIPTION**

FIG. 1 is a front elevational view of an electrical connector showing our new design;

FIG. 2 is a top plan view thereof;

FIG. 3 is a right side elevational view thereof;

FIG. 4 is a left side elevational view thereof;

FIG. 5 is a rear elevational view thereof; and

FIG. 6 is a bottom plan view thereof.

FIG. 7 is a front and top perspective view thereof;

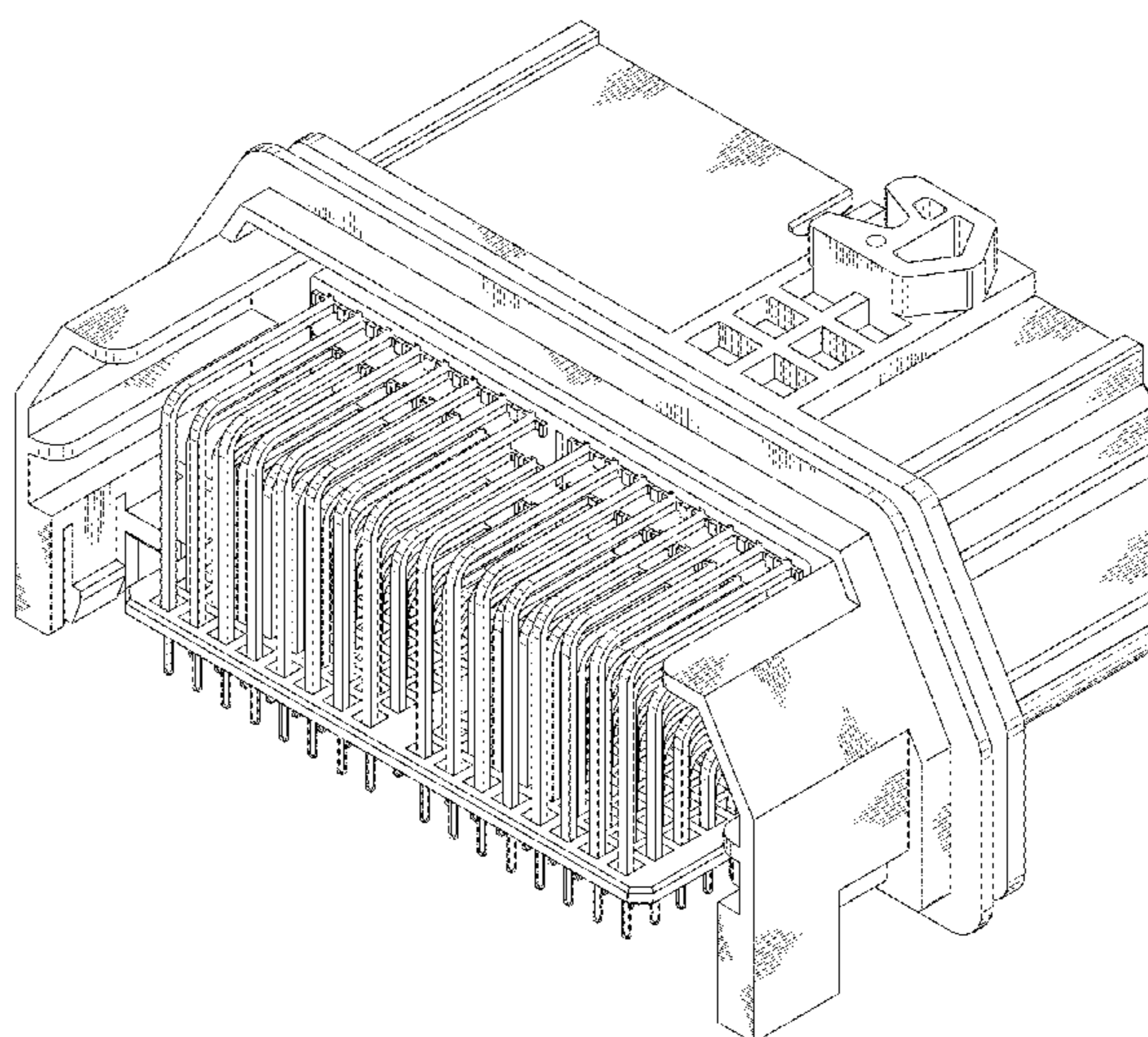
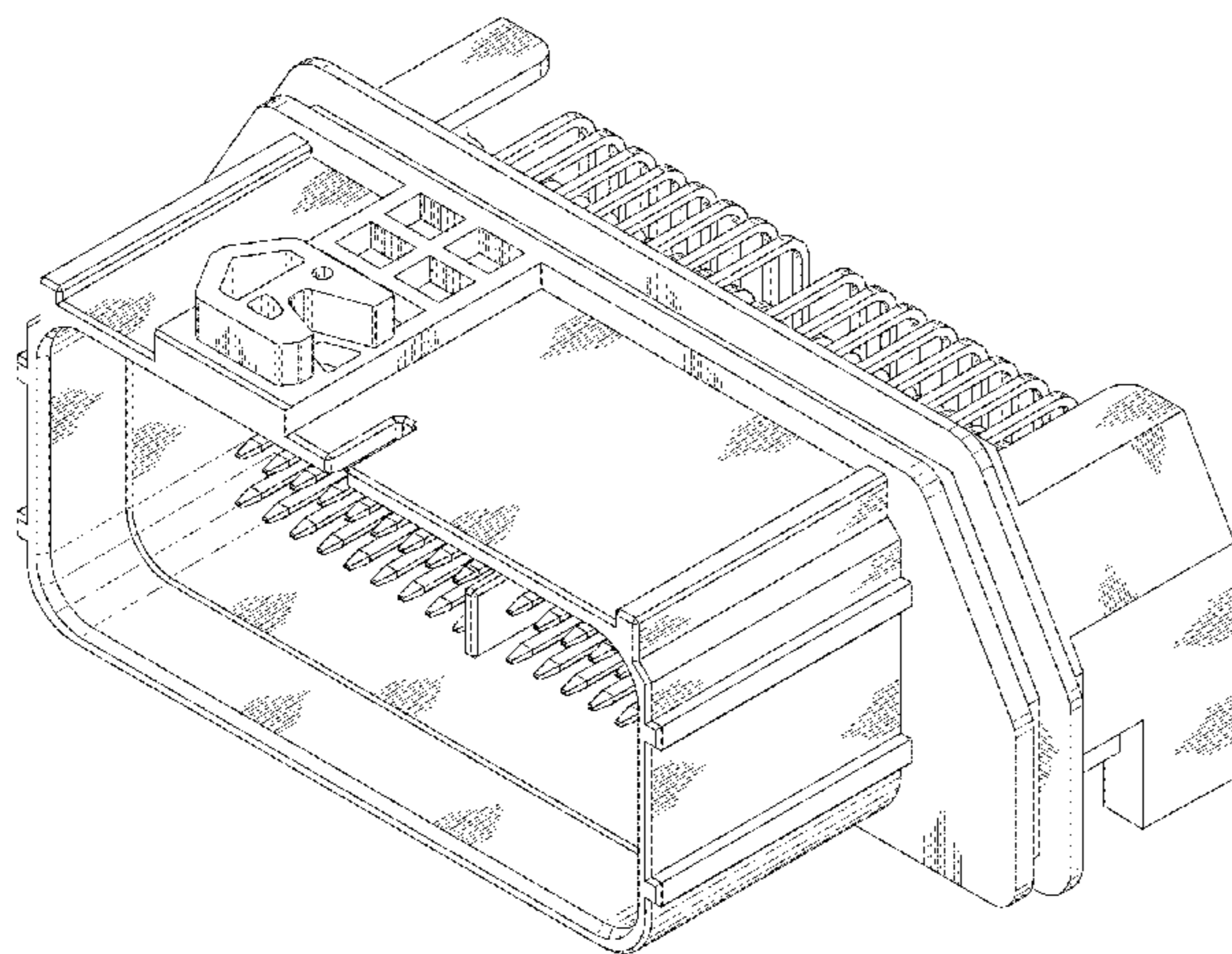
FIG. 8 is a front and bottom perspective view thereof;

FIG. 9 is a rear and top perspective view thereof; and,

FIG. 10 is a rear and bottom perspective view thereof.

The broken line in the figure drawing views is included to illustrate unclaimed environment only and forms no parts of the design.

**1 Claim, 10 Drawing Sheets**



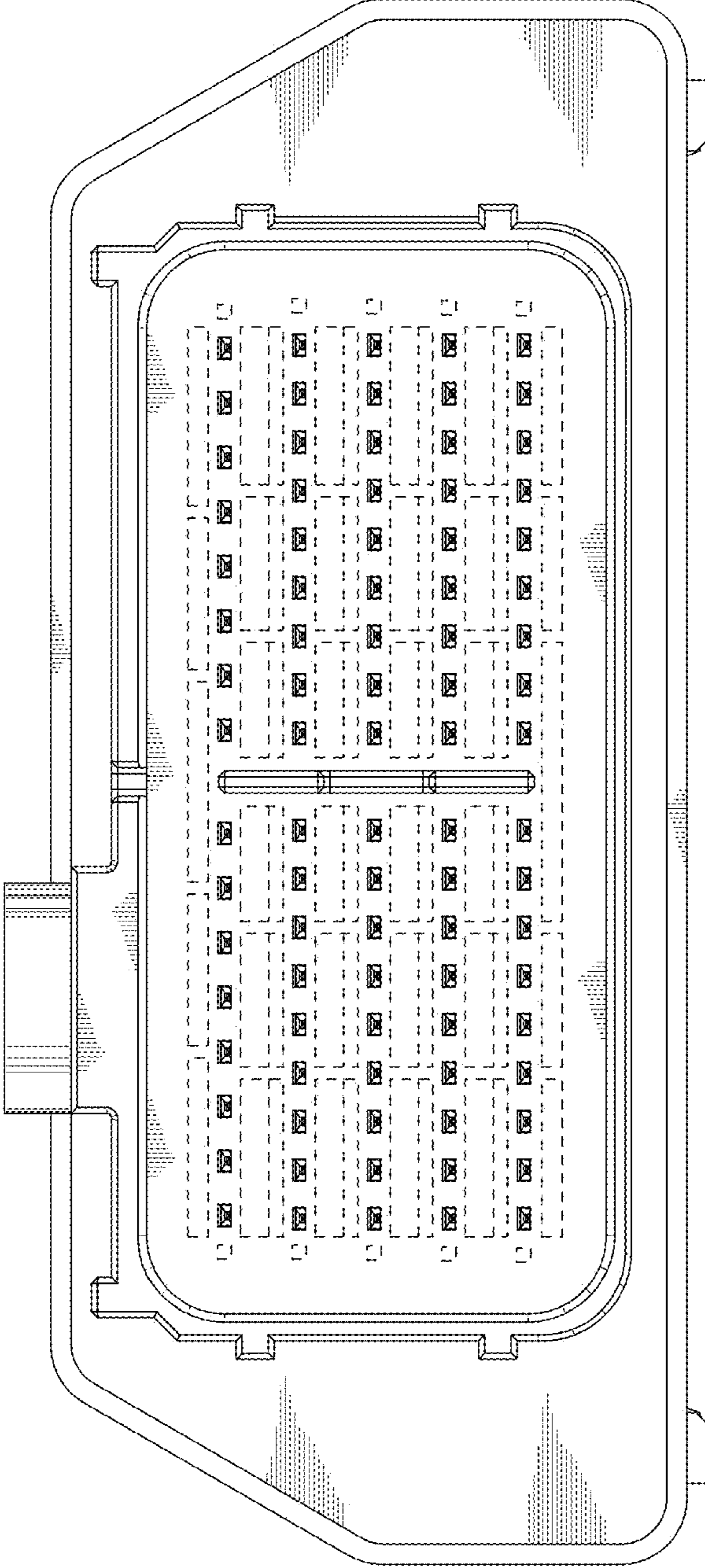


FIG.1

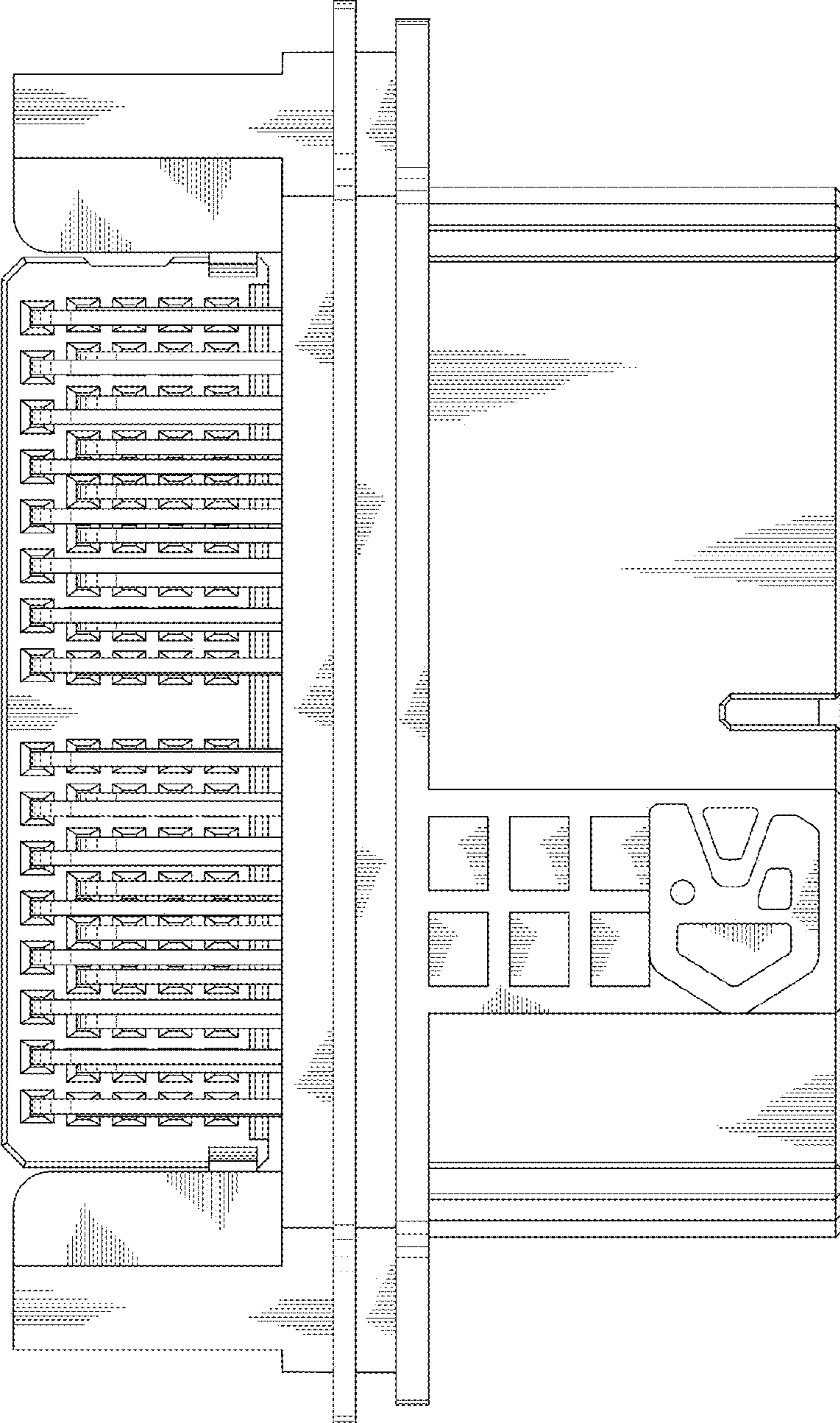


FIG.2

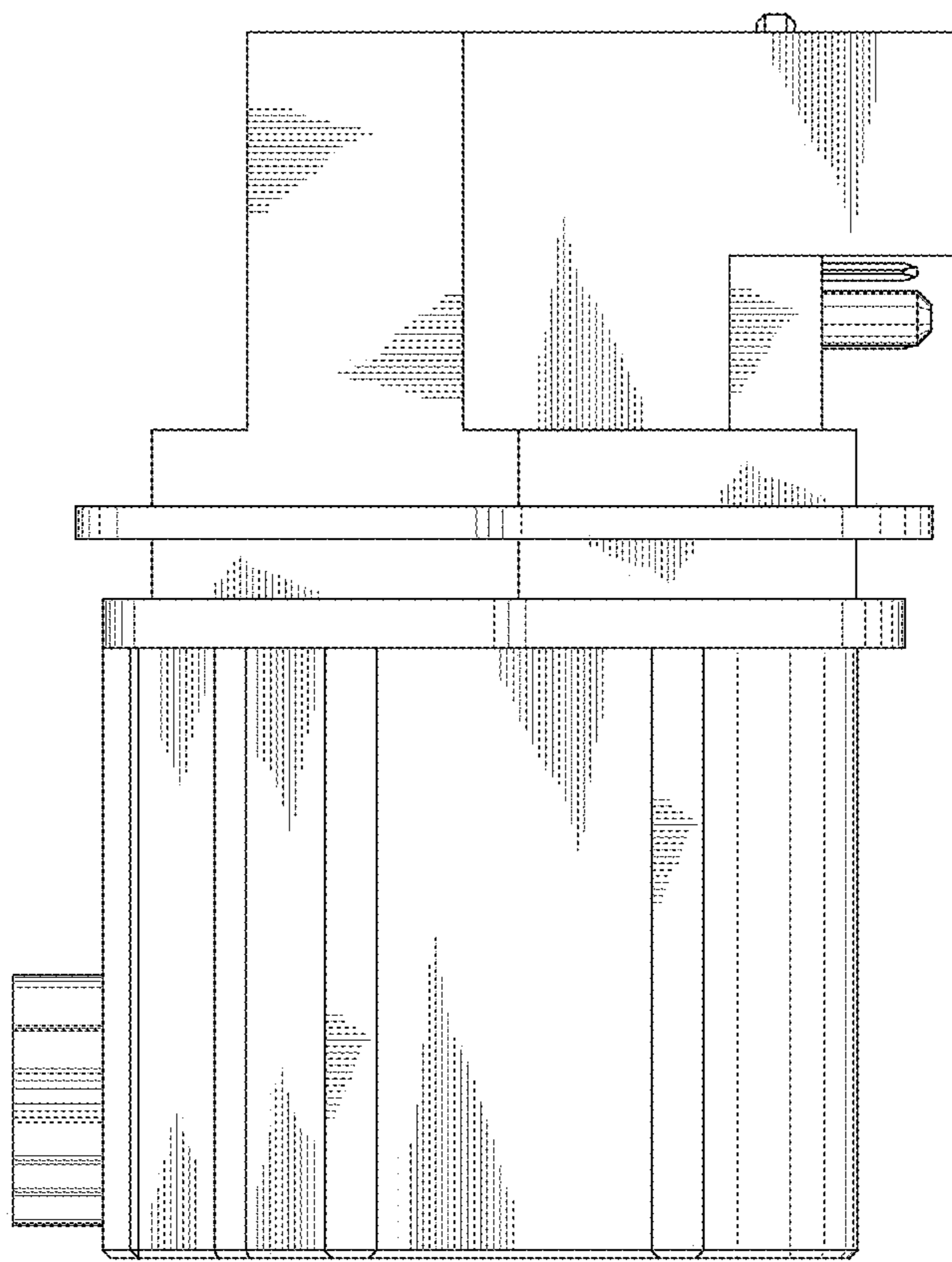


FIG.3

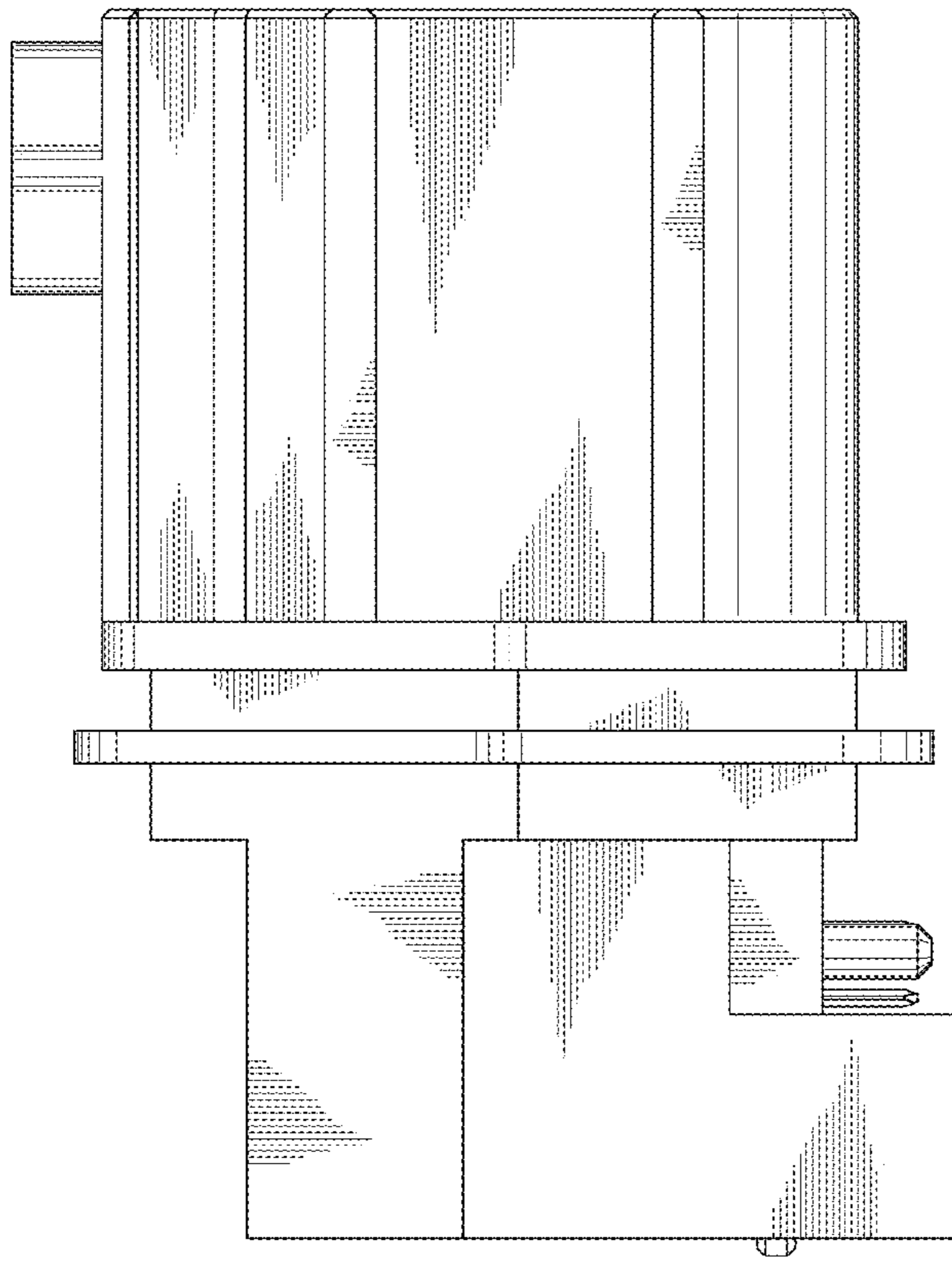


FIG. 4

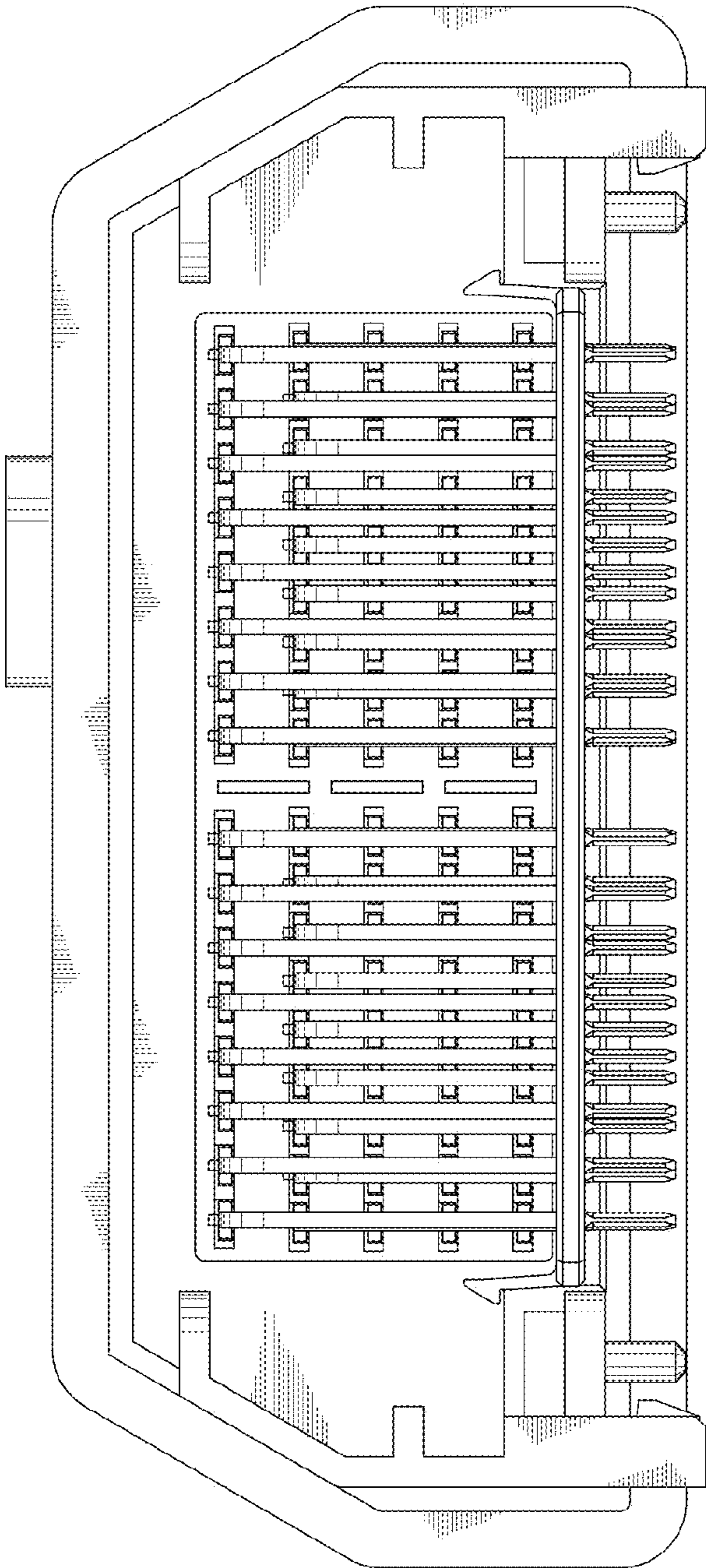


FIG.5

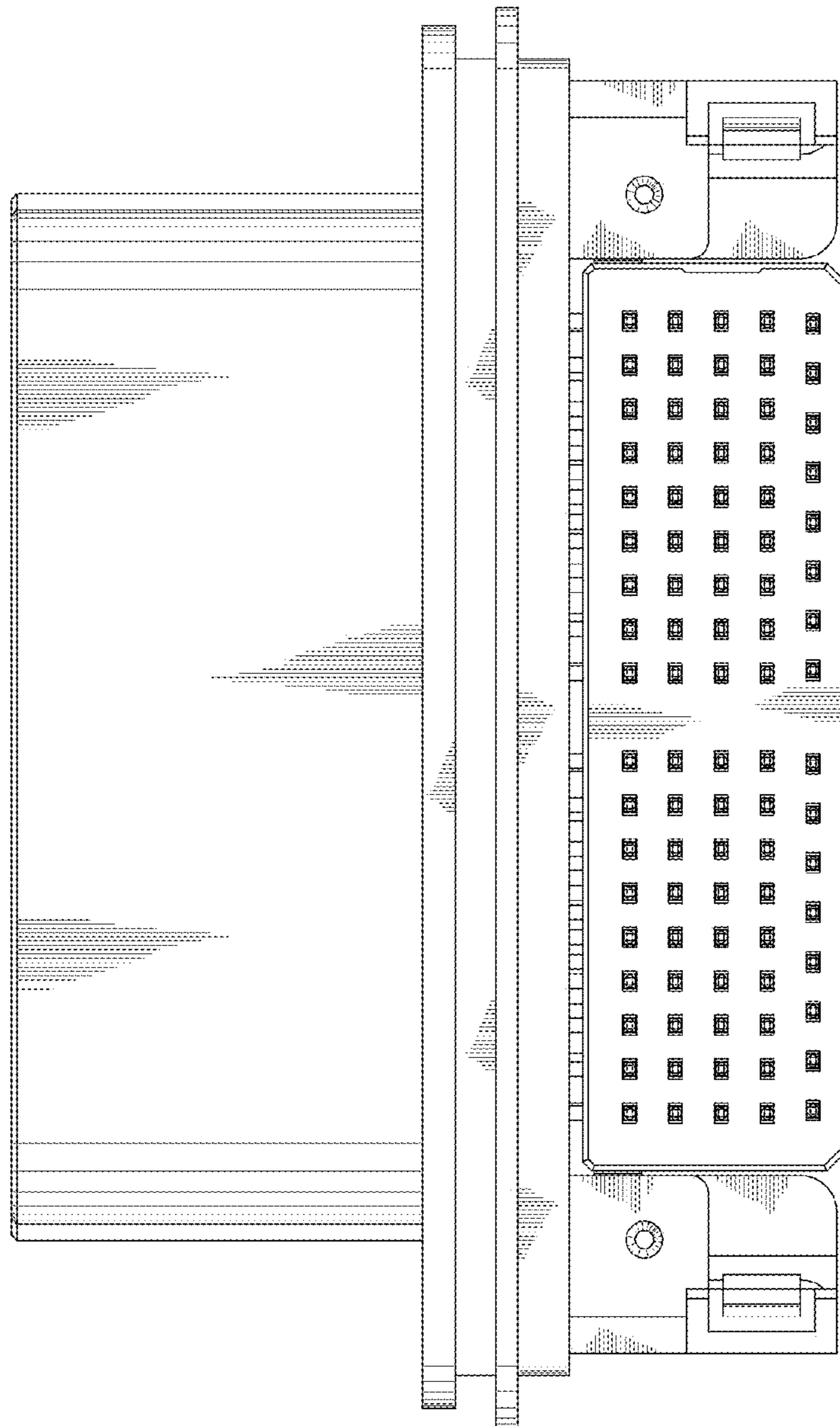


FIG.6

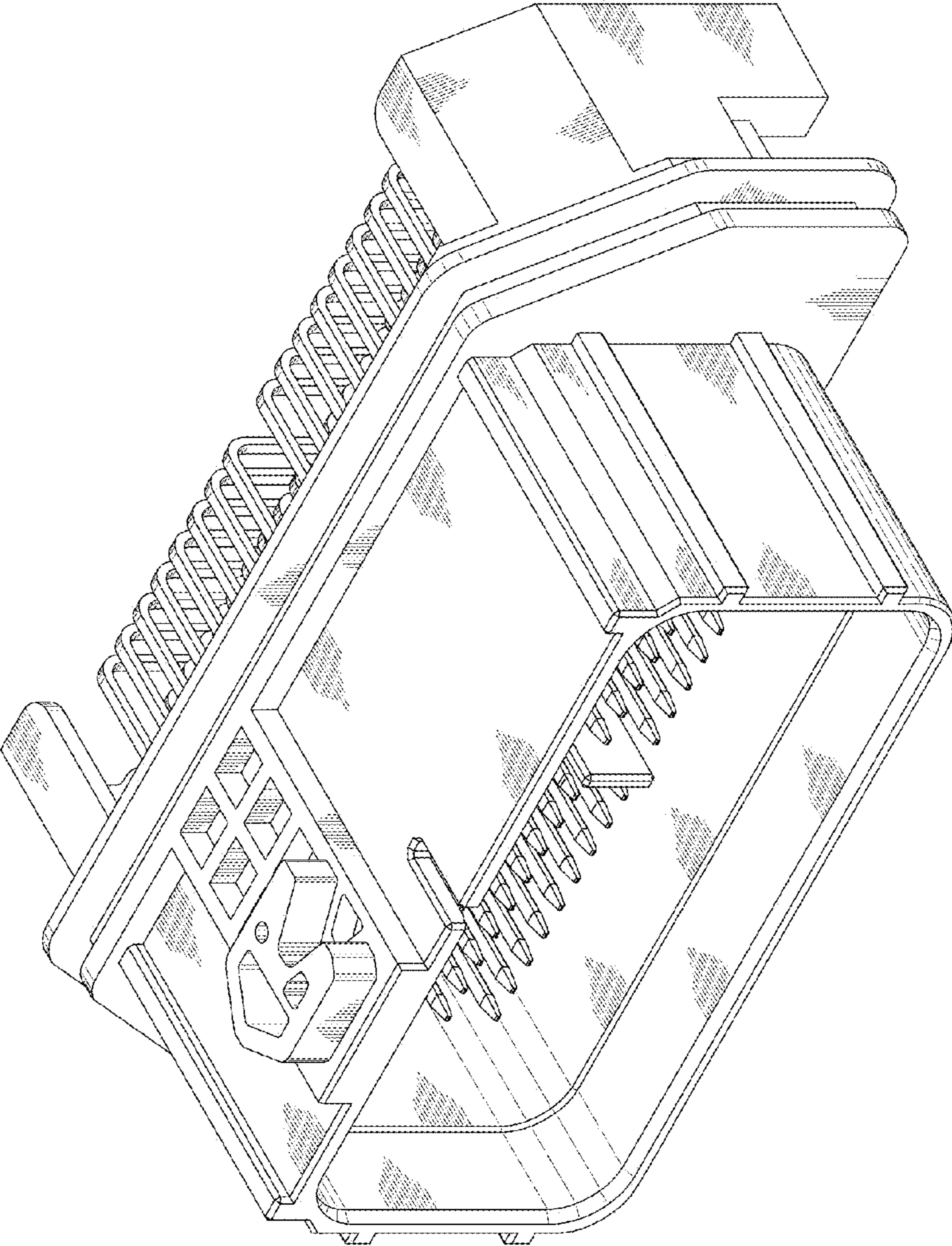


FIG.7



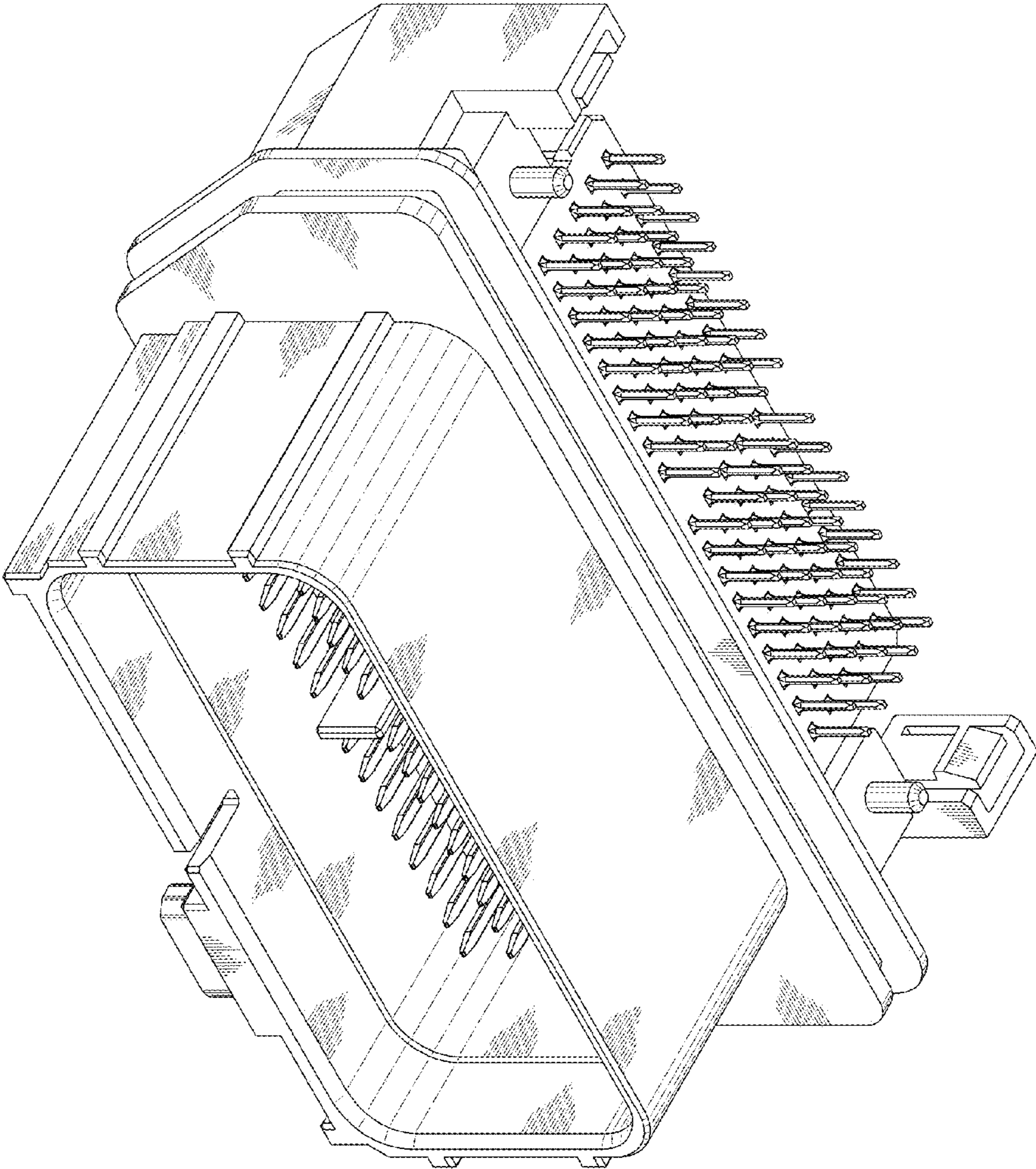


FIG.8

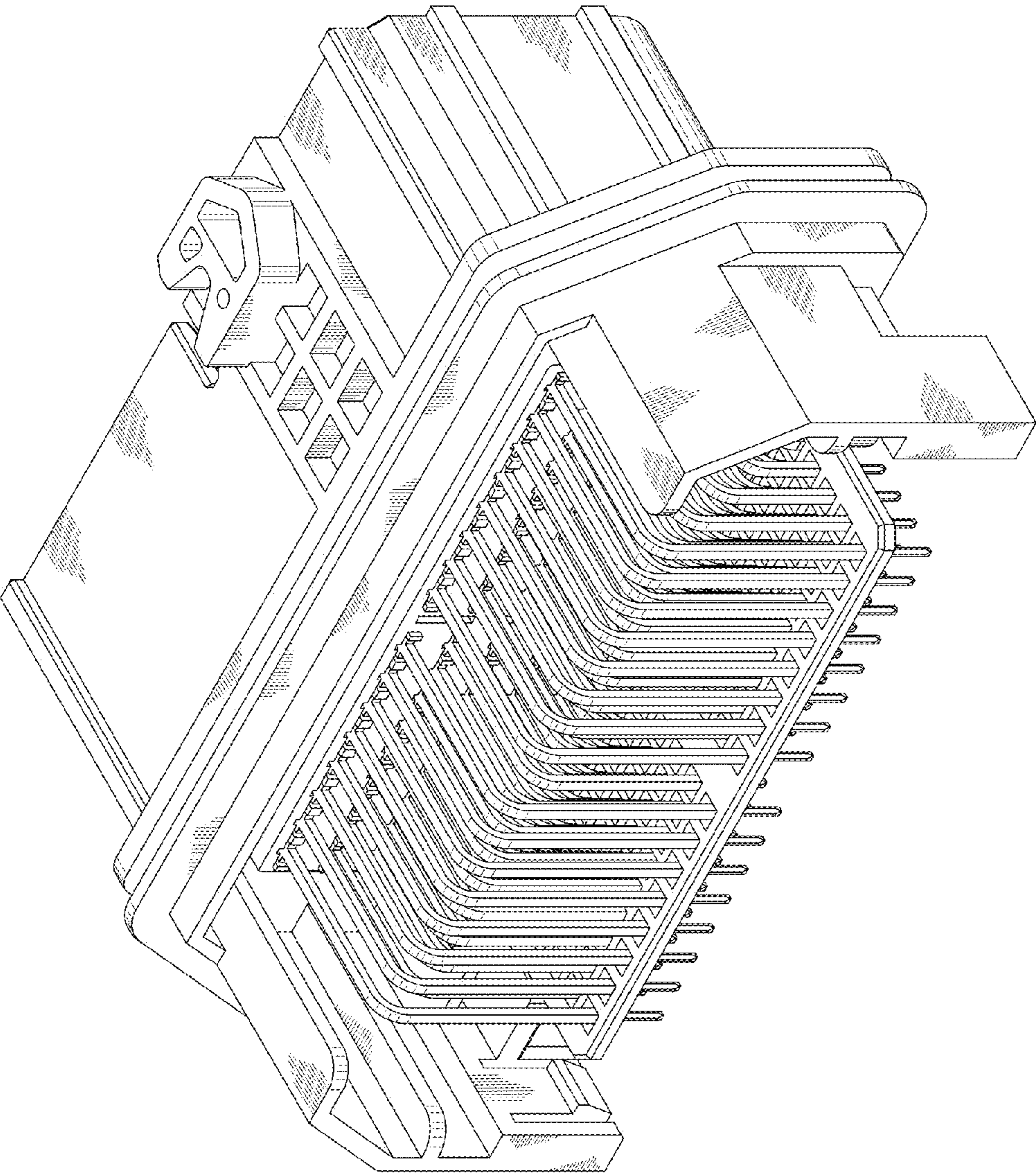


FIG.9

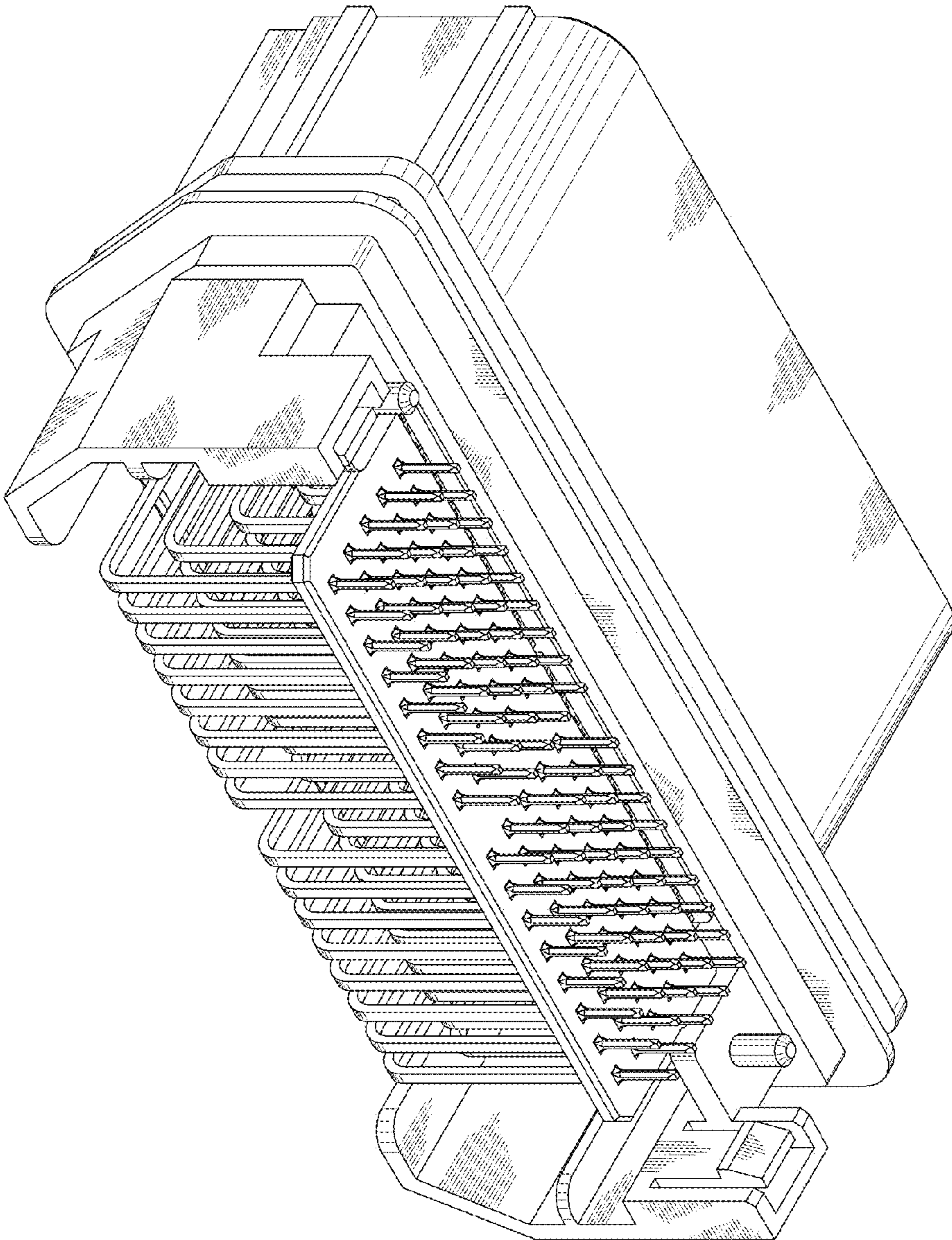


FIG.10