

US00D699188S

(12) **United States Design Patent**  
**Akana et al.**

(10) **Patent No.:** **US D699,188 S**  
(45) **Date of Patent:** **\*\* Feb. 11, 2014**

(54) **ADAPTER**

(75) Inventors: **Jody Akana**, San Francisco, CA (US); **Bartley K. Andre**, Menlo Park, CA (US); **Jeremy Bataillou**, San Francisco, CA (US); **Daniel J. Coster**, San Francisco, CA (US); **Daniele De Iuliis**, San Francisco, CA (US); **M. Evans Hankey**, San Francisco, CA (US); **Julian Hoenig**, San Francisco, CA (US); **Richard P. Howarth**, San Francisco, CA (US); **Jonathan P. Ive**, San Francisco, CA (US); **Duncan Robert Kerr**, San Francisco, CA (US); **Shin Nishibori**, Kailua, HI (US); **Matthew Dean Rohrbach**, San Francisco, CA (US); **Peter Russell-Clarke**, San Francisco, CA (US); **Christopher J. Stringer**, Woodside, CA (US); **Eugene Antony Whang**, San Francisco, CA (US); **Rico Zorkendorfer**, San Francisco, CA (US)

(73) Assignee: **Apple Inc.**, Cupertino, CA (US)

(\*\*) Term: **14 Years**

(21) Appl. No.: **29/431,841**

(22) Filed: **Sep. 11, 2012**

(51) **LOC (10) Cl.** ..... **13-03**

(52) **U.S. Cl.**  
USPC ..... **D13/147**

(58) **Field of Classification Search**

USPC ..... D13/133, 146, 147, 153, 154, 156, 157, D13/184, 199; D14/432, 433, 435, 435.1, D14/438; 345/156; 361/58, 814; 439/38-40, 439/66, 74, 77, 79, 129-130, 135, 146, 439/149-150, 176-177, 180, 188, 217-218, 439/225, 246, 252, 278-279, 290-291, 329, 439/344-346, 350-353, 357-358, 374, 378, 439/381, 476.1, 607.01, 607.04, 607.5, 439/607.6, 607.17, 607.21, 607.23, 607.25, 439/607.34, 607.41, 607.53, 623, 660, 668, 439/677, 678, 680, 682, 874, 883, 887, 892, 439/894

See application file for complete search history.

(56) **References Cited**

U.S. PATENT DOCUMENTS

D304,028 S 10/1989 Matsuzaki  
D369,157 S 4/1996 Ohmori et al.

(Continued)

FOREIGN PATENT DOCUMENTS

WO WO 2006/074348 A1 7/2006  
WO WO 2011/150403 A1 12/2011

(Continued)

OTHER PUBLICATIONS

U.S. Appl. No. 13/250,920, Siahaan et al., "Connector with Multi-Layer NI Underplated Contacts," filed Sep. 30, 2011 (Not Published).

(Continued)

*Primary Examiner* — Daniel Bui

(74) *Attorney, Agent, or Firm* — Sterne, Kessler, Goldstein & Fox P.L.L.C.

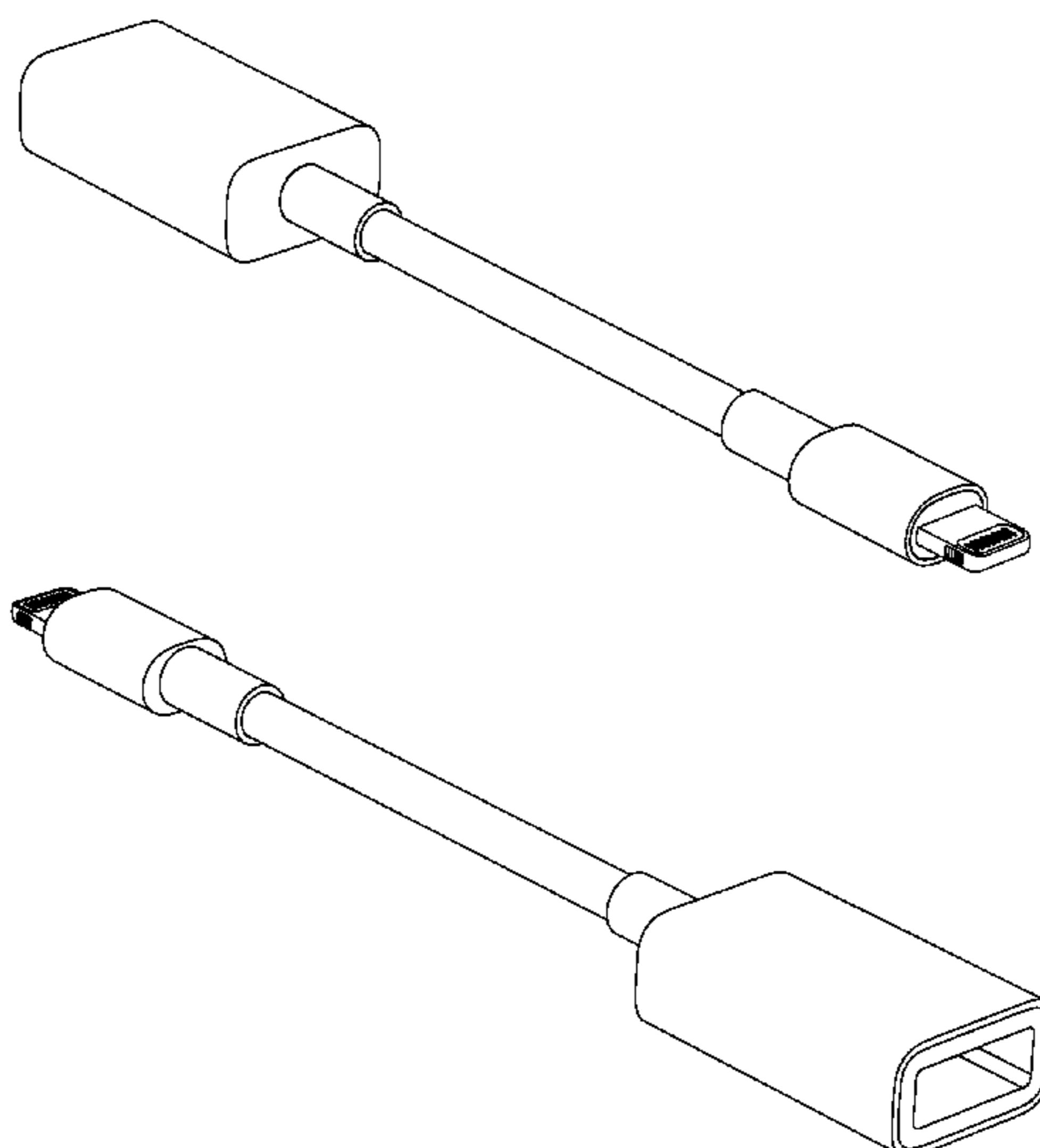
(57) **CLAIM**

The ornamental design for an adapter, as shown and described.

**DESCRIPTION**

FIG. 1 is a front perspective view of an adapter showing our new design;  
FIG. 2 is a rear perspective view thereof;  
FIG. 3 is a top view thereof, the bottom view being a mirror image thereof;  
FIG. 4 is a left view thereof;  
FIG. 5 is a right view thereof;  
FIG. 6 is a rear view thereof; and,  
FIG. 7 is a front view thereof.  
The shade lines in the Figures show contour and not surface ornamentation.

**1 Claim, 5 Drawing Sheets**



(56)

## References Cited

## U.S. PATENT DOCUMENTS

D399,047	S	10/1998	Yoshida et al.	
6,137,710	A	10/2000	Iwasaki et al.	
D452,245	S	12/2001	Wallace et al.	
D452,246	S	12/2001	Wallace et al.	
6,483,038	B2	11/2002	Lee et al.	
D487,747	S	3/2004	Yu et al.	
D525,977	S	8/2006	Yao	
7,094,089	B2	8/2006	Andre et al.	
D552,099	S	10/2007	Nishizawa et al.	
D552,604	S	10/2007	Andre et al.	
7,354,312	B2	4/2008	Chuang	
D594,418	S	6/2009	Fujino et al.	
D600,652	S *	9/2009	Hong et al.	D13/154
D607,886	S	1/2010	Bolotin et al.	
D619,963	S *	7/2010	Hou	D13/133
D621,785	S	8/2010	Nickol	
D636,337	S *	4/2011	Smith et al.	D13/147
D637,193	S	5/2011	Andre et al.	
D643,040	S	8/2011	Sedio et al.	
D655,296	S	3/2012	Andre et al.	
D656,147	S	3/2012	Schlossstein	
D658,665	S	5/2012	Akana et al.	
D659,150	S	5/2012	Andre	
D665,754	S	8/2012	Cobbett et al.	
D684,539	S *	6/2013	Akana et al.	D13/147
D684,976	S *	6/2013	Akana et al.	D14/433
8,454,388	B2	6/2013	Song	
D692,390	S *	10/2013	Smith et al.	D13/153
2002/0170972	A1	11/2002	Kim	
2003/0225954	A1	12/2003	Wu	
2005/0202727	A1	9/2005	Andre et al.	
2007/0229025	A1 *	10/2007	Tsai et al.	320/111
2011/0199729	A1	8/2011	Hsieh	
2012/0252256	A1	10/2012	Zhu et al.	

## FOREIGN PATENT DOCUMENTS

WO	WO 2011/160138	A2	12/2011
WO	WO 2011/163256	A1	12/2011
WO	WO 2011/163260	A1	12/2011
WO	WO 2012/103383	A2	8/2012

## OTHER PUBLICATIONS

U.S. Appl. No. 13/346,260, Jol et al., "Hotbar Device and Methods for Assembling Electrical Contacts to Ensure Co-Planarity," filed Jan. 9, 2012 (Not Published).

U.S. Appl. No. 61/668,074, Terlizzi et al., "Techniques for Monitoring Contacts in a Connector," filed Jul. 5, 2012 (Not Published).

U.S. Appl. No. 61/693,228, Weber et al., "Self-Lubricating Retention Mechanism," filed Aug. 24, 2012 (Not Published).

U.S. Appl. No. 61/693,232, Weber et al., "Retention Mechanism Having Improved Fatigue Strength," filed Aug. 24, 2012 (Not Published).

U.S. Appl. No. 61/698,496, Zadesky et al., "Context Aware Functionality in a Portable Electronic Device," filed Sep. 7, 2012 (Not Published).

U.S. Appl. No. 61/698,538, Soohoo et al., "Plug Connector," filed Sep. 7, 2012 (Not Published).

U.S. Appl. No. 13/607,366, Golko et al., "Dual Orientation Electronic Connector," filed Sep. 7, 2012 (Not Published).

U.S. Appl. No. 13/607,404, Mullins et al., "Techniques for Detecting Removal of a Connector," filed Sep. 7, 2012 (Not Published).

U.S. Appl. No. 13/607,426, Mullins et al., "Data Structures for Facilitating Communication Between a Host Device and an Accessory," filed Sep. 7, 2012 (Not Published).

U.S. Appl. No. 13/607,430, Sarwar et al., "Audio/Video Connector for an Electronic Device," filed Sep. 7, 2012 (Not Published).

U.S. Appl. No. 13/607,443, Fritchman et al., "Connector Adapter," filed Sep. 7, 2012 (Not Published).

U.S. Appl. No. 13/607,446, Terlizzi et al., "Cascading Power for Accessories," filed Sep. 7, 2012 (Not Published).

U.S. Appl. No. 13/607,454, Andrews et al., "Accessory Booting Over USB," filed Sep. 7, 2012 (Not Published).

U.S. Appl. No. 13/607,462, Golko et al., "Connector Architecture and Insertion Profile," filed Sep. 7, 2012 (Not Published).

U.S. Appl. No. 13/607,473, Mullins et al., "Methods, Systems and Apparatus for Determining Whether an Accessory Includes Particular Circuitry," filed Sep. 7, 2012 (Not Published).

U.S. Appl. No. 13/607,478, Mullins et al., "Methods, Systems and Apparatus for Enabling an Accessory for Use with a Host Device," filed Sep. 7, 2012 (Not Published).

U.S. Appl. No. 13/607,497, Weber et al., "Retention Mechanism Device," filed Sep. 7, 2012 (Not Published).

U.S. Appl. No. 13/607,502, Weber et al., "Underfill Applicator Device and Methods for Assembling Electrical Contacts," filed Sep. 7, 2012 (Not Published).

U.S. Appl. No. 13/607,519, Terlizzi et al., "Adapter for Electronic Devices," filed Sep. 7, 2012 (Not Published).

U.S. Appl. No. 13/607,528, Ardisana, II et al., "Reinforcing Bars in I/O Connectors," filed Sep. 7, 2012 (Not Published).

U.S. Appl. No. 13/607,550, Terlizzi et al., "Techniques for Configuring Contacts of a Connector," filed Sep. 7, 2012 (Not Published).

U.S. Appl. No. 13/607,553, Rich et al., "Adapter for Use With a Portable Electronic Device," filed Sep. 7, 2012 (Not Published).

U.S. Appl. No. 13/607,554, Golko et al., "Insert-Molded Connector Contacts," filed Sep. 7, 2012 (Not Published).

U.S. Appl. No. 13/607,563, Golembeski et al., "Multi-Mode Adapter," filed Sep. 7, 2012 (Not Published).

U.S. Appl. No. 13/607,566, Golko et al., "Plug Connector Modules," filed Sep. 7, 2012 (Not Published).

U.S. Appl. No. 13/607,598, Colahan et al., "Compliant Mount for Connector," filed Sep. 7, 2012 (Not Published).

U.S. Appl. No. 13/607,600, Weber et al., "Retention Mechanism Having Improved Fatigue Strength," filed Sep. 7, 2012 (Not Published).

International Patent Application No. PCT/US12/54318, Apple Inc., "Connectors for Electronic Devices," filed Sep. 7, 2012 (Not Published).

U.S. Appl. No. 61/699,818, Uttermann et al., "Connector Trim," filed Sep. 11, 2012 (Not Published).

U.S. Appl. No. 61/699,838, Webb et al., "Dock Connector With Compliance Mechanism," filed Sep. 11, 2012 (Not Published).

U.S. Appl. No. 13/610,326, Siahaan et al., "Assembly of a Cable," filed Sep. 11, 2012 (Not Published).

U.S. Appl. No. 13/610,631, Schmidt et al., "Connectors and Methods for Manufacturing Connectors," filed Sep. 11, 2012 (Not Published).

U.S. Appl. No. 13/610,750, Webb et al., "Single-Piece Shield Can," filed Sep. 11, 2012 (Not Published).

U.S. Appl. No. 13/610,832, Webb et al., "Dock with Compliant Connector Mount," filed Sep. 11, 2012 (Not Published).

International Patent Application No. PCT/CN2012/081245, Apple, Inc., "Rack Plating," filed Sep. 11, 2012 (Not Published).

International Patent Application No. PCT/CN2012/081257, Apple Inc., "Connectors and Methods for Manufacturing Connectors," filed Sep. 11, 2012 (Not Published).

Co-Pending U.S. Appl. No. 29/424,270, Akana et al., "Adaptor," filed Jun. 10, 2012 (Not Published).

Co-Pending U.S. Appl. No. 29/426,587, Akana et al., "Connector," filed Jul. 6, 2012 (Not Published).

Co-Pending U.S. Appl. No. 29/431,556, Akana et al., "Adapters and Connectors," filed Sep. 7, 2012 (Not Published).

Co-Pending U.S. Appl. No. 29/432,034, Akana et al., "Connector Silhouette," filed Sep. 12, 2012 (Not Published).

Co-Pending U.S. Appl. No. 29/441,757, Akana et al., "USB Device," filed Jan. 9, 2013 (Not Published).

U.S. Appl. No. 61/668,074, Terlizzi et al., "Techniques for Monitoring Contacts in a Connector," filed Jul. 5, 2012 (Not Published).

U.S. Appl. No. 13/607,430, Sarwar et al., "Audio/Video Connector for an Electronic Device," filed Sep. 7, 2012 (Not Published).

(56)

**References Cited**

OTHER PUBLICATIONS

U.S. Appl. No. 13/607,550, Terilizzi et al., "Techniques for Configuring Contacts of a Connector," filed Sep. 7, 2012 (Not Published).

U.S. Appl. No. 13/610,326, Siahaan et al., "Assenibly of a Cable," filed Sep. 11, 2012 (Not Published).

U.S. Appl. No. 13/610,750, Webb et al., "Single-Piece Shield Can," filed Sep. 11, 2012 (Not Published).

International Patent Application No. PCT/CN2012/081245, Apple Inc., "Rack Plating," filed Sep. 11, 2012.

International Patent Application No. PCT/CN2012/081257, Apple Inc., "Connectors and Methods for Manufacturing Connectors," filed Sep. 11, 2012.

\* cited by examiner

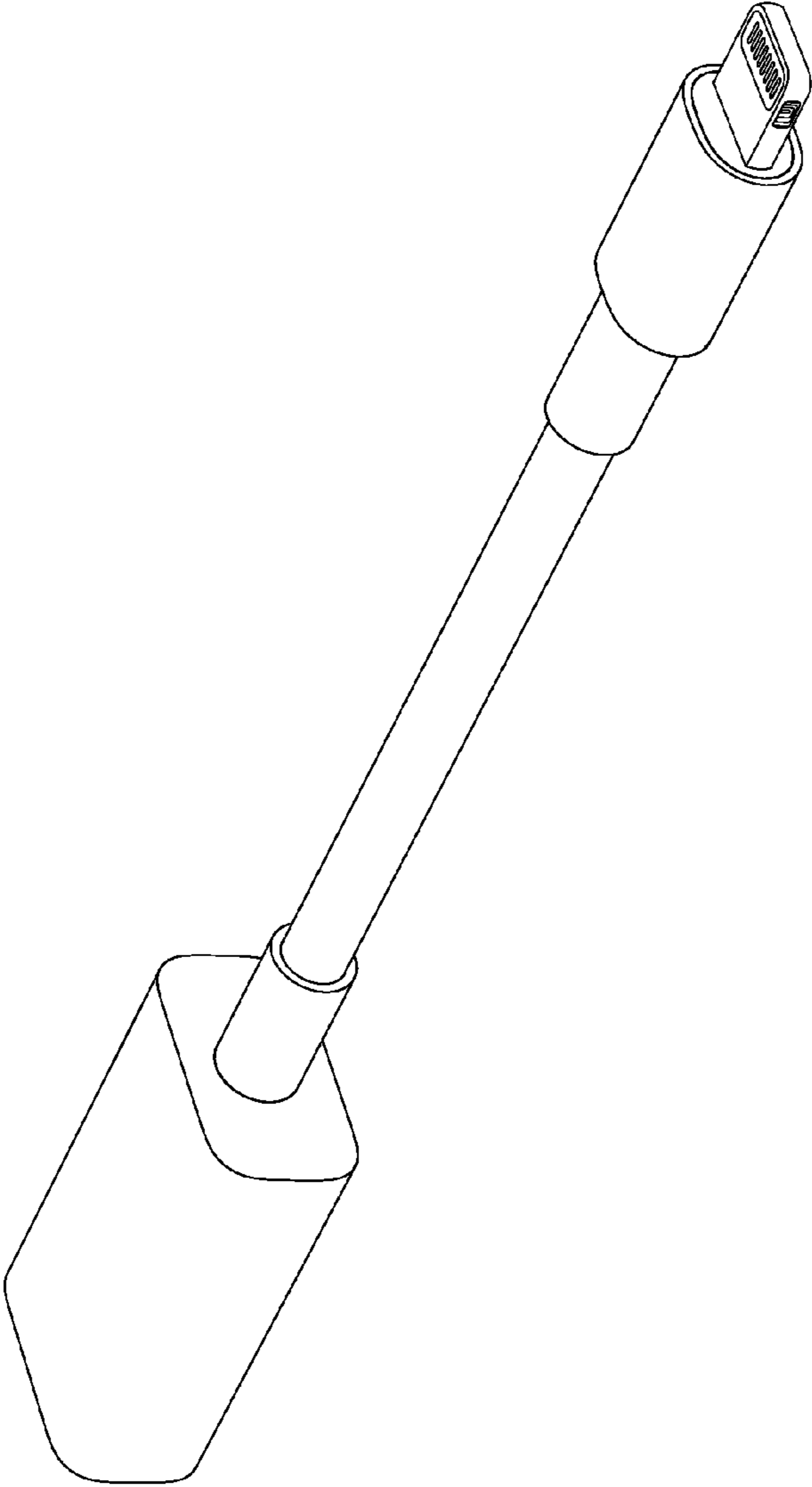


FIG. 1

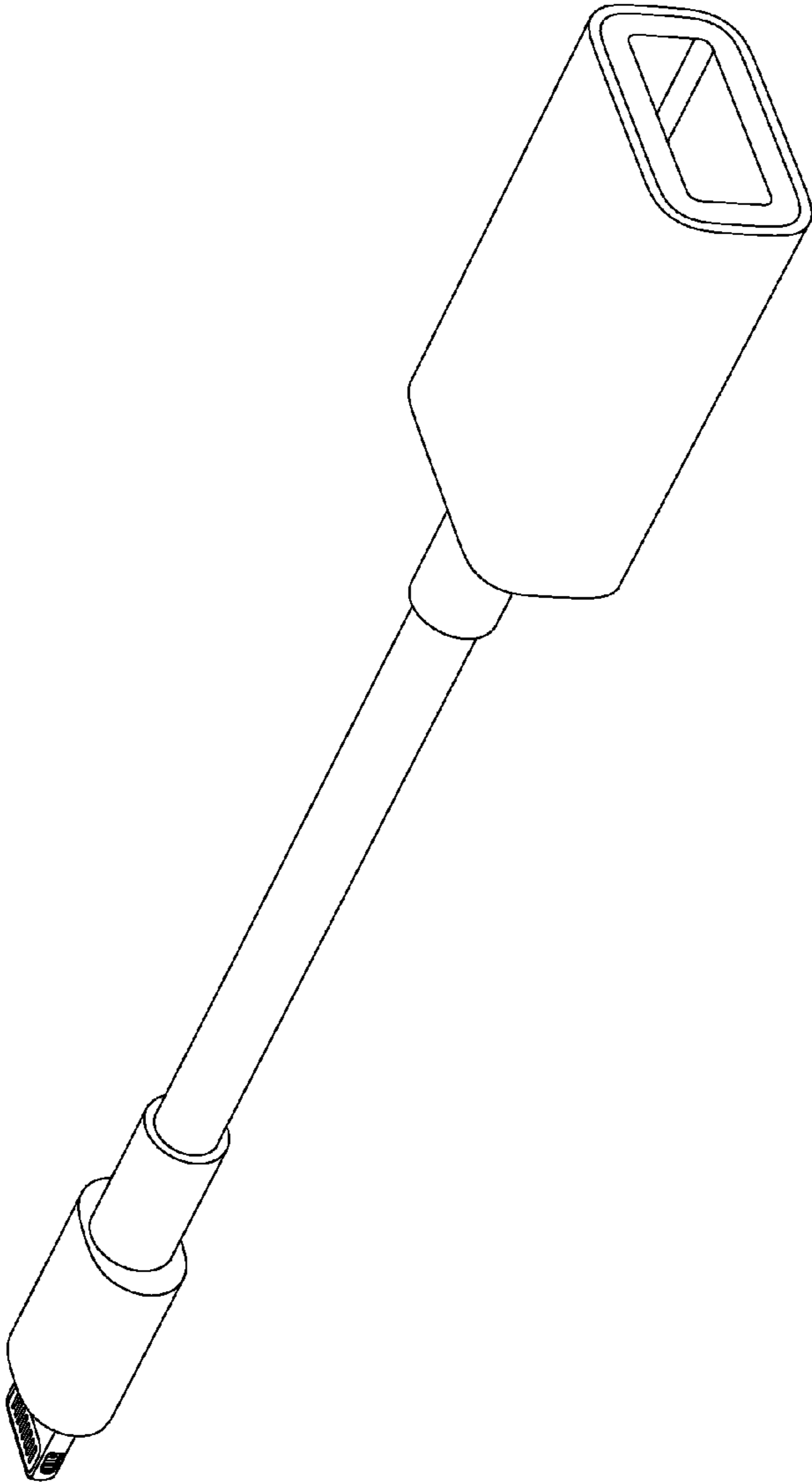


FIG. 2

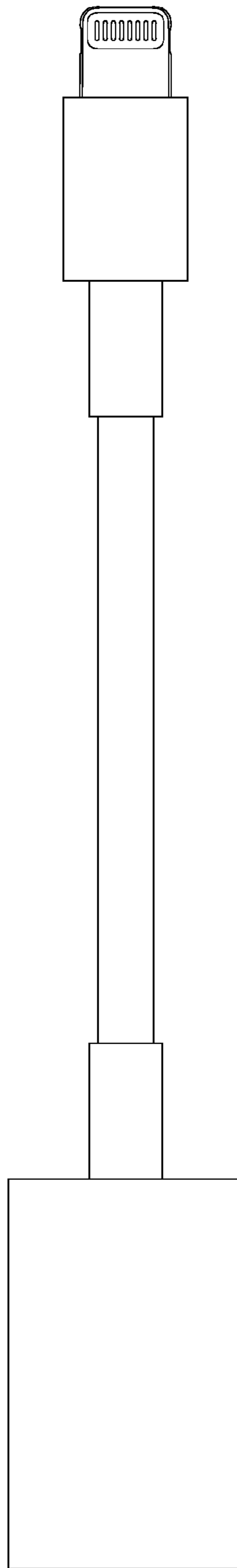


FIG. 3

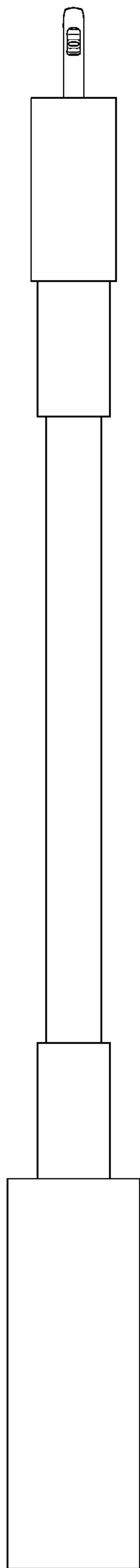


FIG. 4

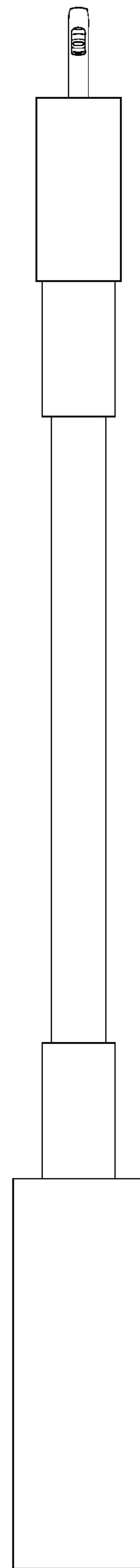
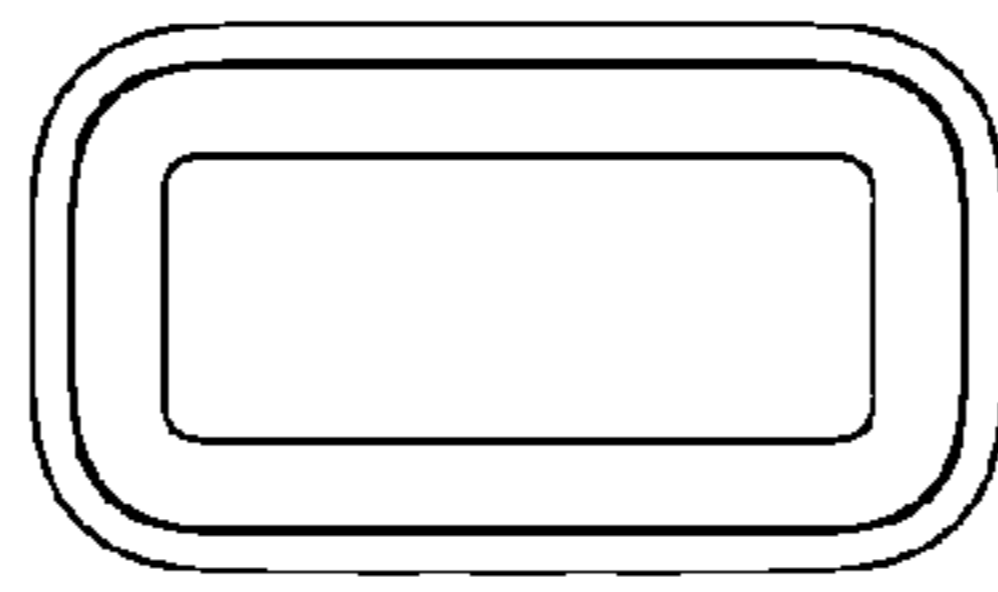
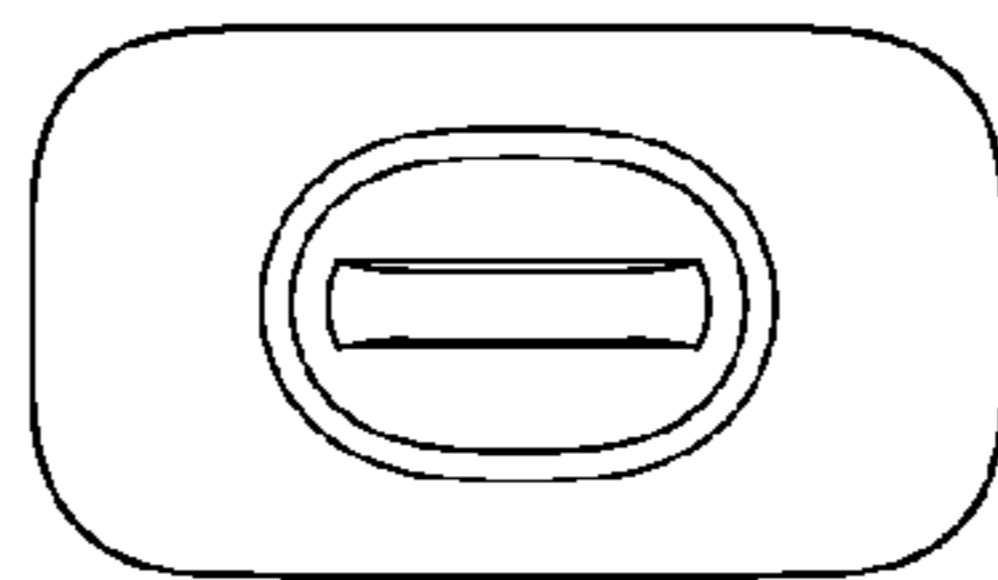


FIG. 5



*FIG. 6*



*FIG. 7*