



US00D699184S

(12) **United States Design Patent**  
**Christoffersen**

(10) **Patent No.:** **US D699,184 S**

(45) **Date of Patent:** **\*\* Feb. 11, 2014**

- (54) **SPINNER FOR A WIND TURBINE**
- (71) Applicant: **Vestas Wind Systems A/S, Aarhus N (DK)**
- (72) Inventor: **Leif Christoffersen, Vejle O (DK)**
- (73) Assignee: **Vestas Wind Systems A/S, Aarhus N (DK)**
- (\*\*) Term: **14 Years**
- (21) Appl. No.: **29/439,567**
- (22) Filed: **Dec. 12, 2012**
- (51) **LOC (10) Cl.** ..... **13-01**
- (52) **U.S. Cl.**  
USPC ..... **D13/115**
- (58) **Field of Classification Search**  
USPC ..... D13/115, 118, 122, 199; D12/319, 344, D12/345; D15/1, 199; D21/458; 290/44, 52, 290/54, 55; 415/2.1, 4.2, 4.5, 7, 907, 916; 416/7, 16, 24, 31, 37, 38, 132 B, 132 R, 416/141, 142, 176, 177, 196 A, 243  
See application file for complete search history.

D517,986 S *	3/2006	Wobben .....	D13/115
D584,686 S *	1/2009	Gudewer .....	D13/115
D587,649 S *	3/2009	Gudewer .....	D13/115
D600,641 S *	9/2009	Starck .....	D13/115
D602,861 S *	10/2009	Talab .....	D13/115
D637,954 S *	5/2011	Munk-Hansen et al. ....	D13/115
2004/0057828 A1 *	3/2004	Bosche .....	416/1
2012/0068460 A1 *	3/2012	Wadehn .....	290/44

\* cited by examiner

*Primary Examiner* — Derrick Holland

(74) *Attorney, Agent, or Firm* — Wood, Herron & Evans, LLP

(57) **CLAIM**

The ornamental design for a spinner for a wind turbine, as shown and described.

**DESCRIPTION**

FIG. 1 is a front perspective view of a spinner for a wind turbine showing my new design;  
 FIG. 2 is another front perspective view thereof;  
 FIG. 3 is a front view thereof;  
 FIG. 4 is a left side view thereof;  
 FIG. 5 is a rear view thereof;  
 FIG. 6 is a right side view thereof;  
 FIG. 7 is a top view thereof; and,  
 FIG. 8 is a bottom view thereof.

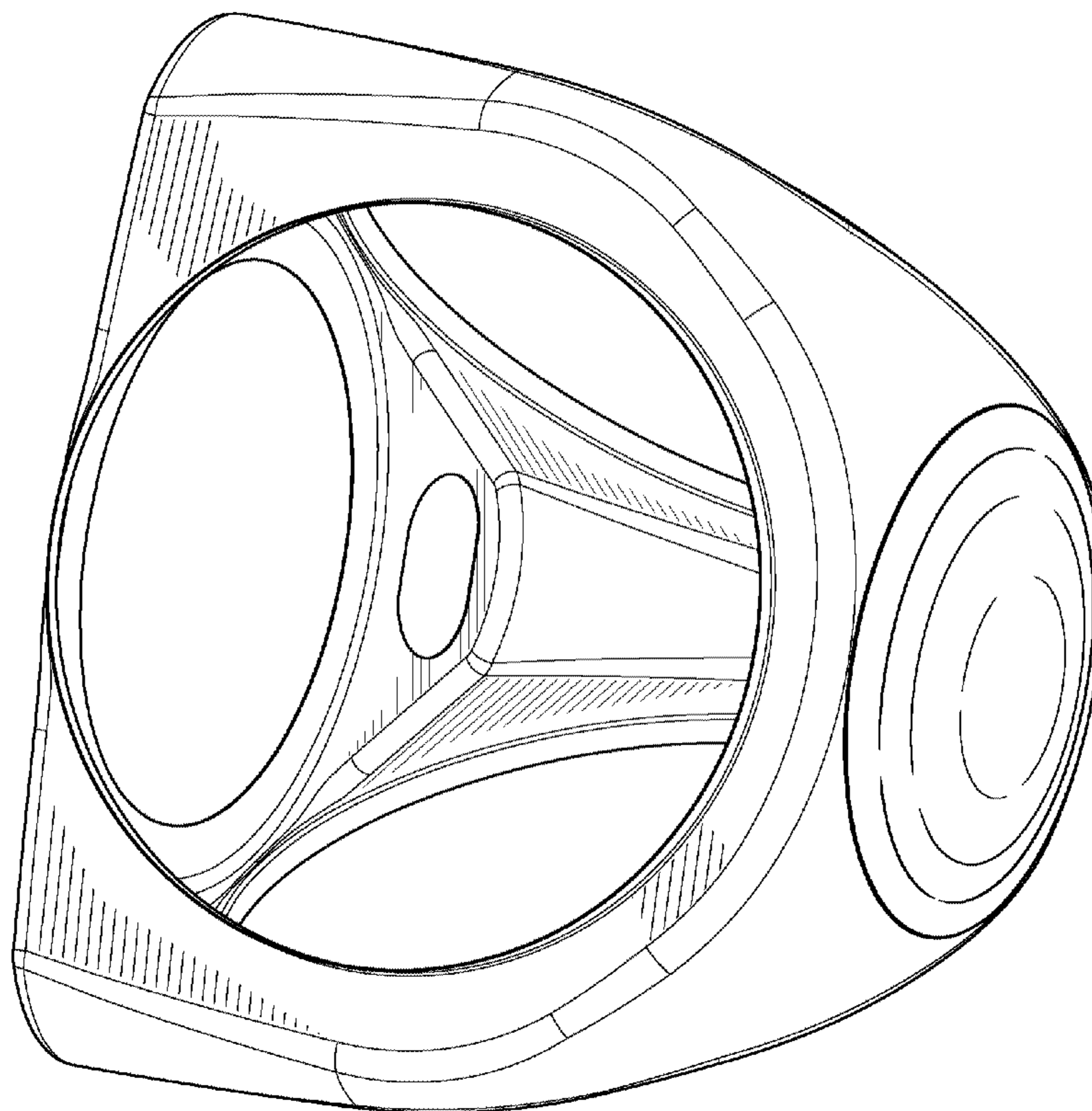
The broken lines shown represent unclaimed subject matter and form no part of the claimed design.

(56) **References Cited**

**U.S. PATENT DOCUMENTS**

D252,572 S *	8/1979	Hanson .....	D15/1
D273,579 S *	4/1984	Martin et al. ....	D12/345

**1 Claim, 8 Drawing Sheets**



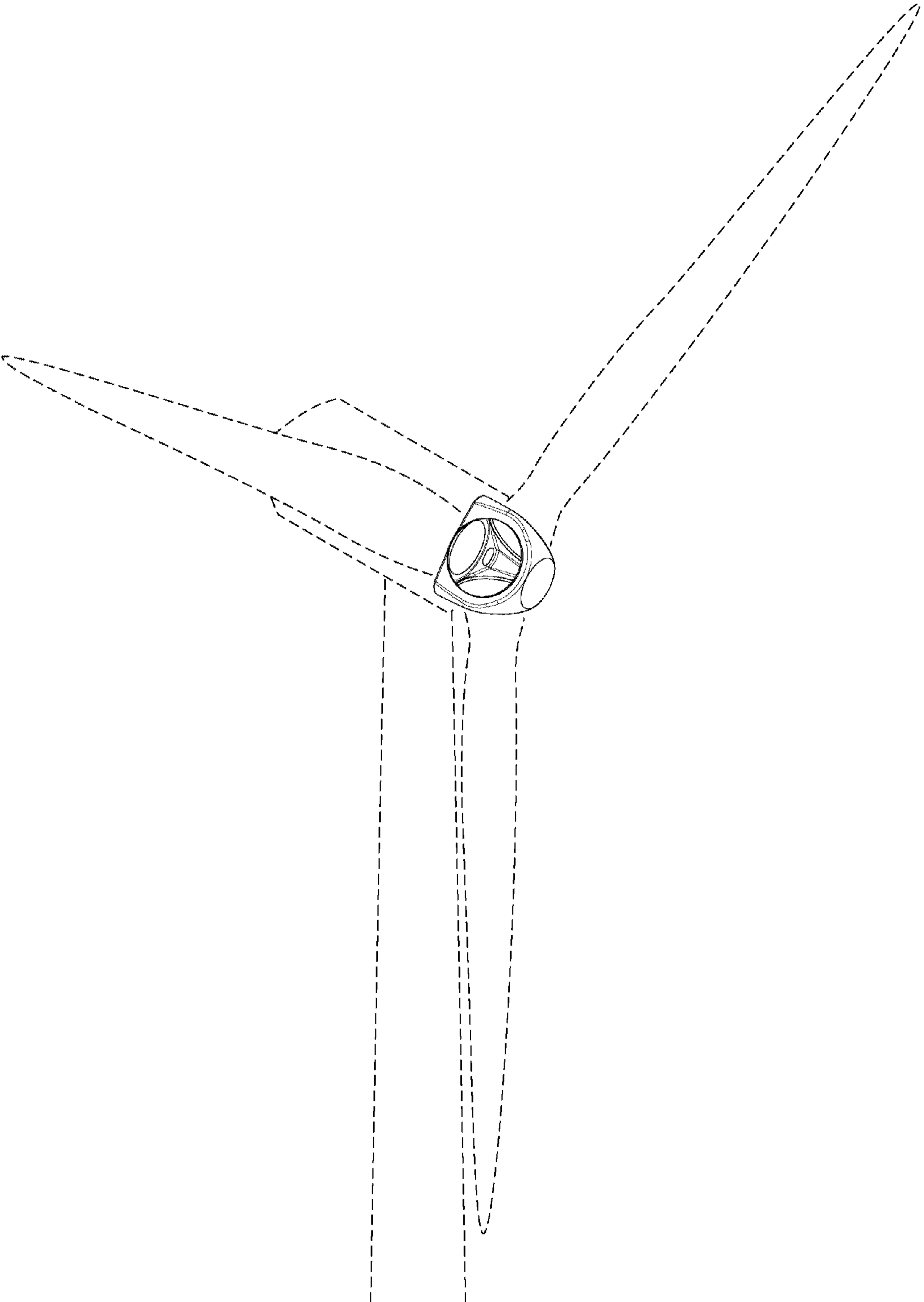


FIG. 1

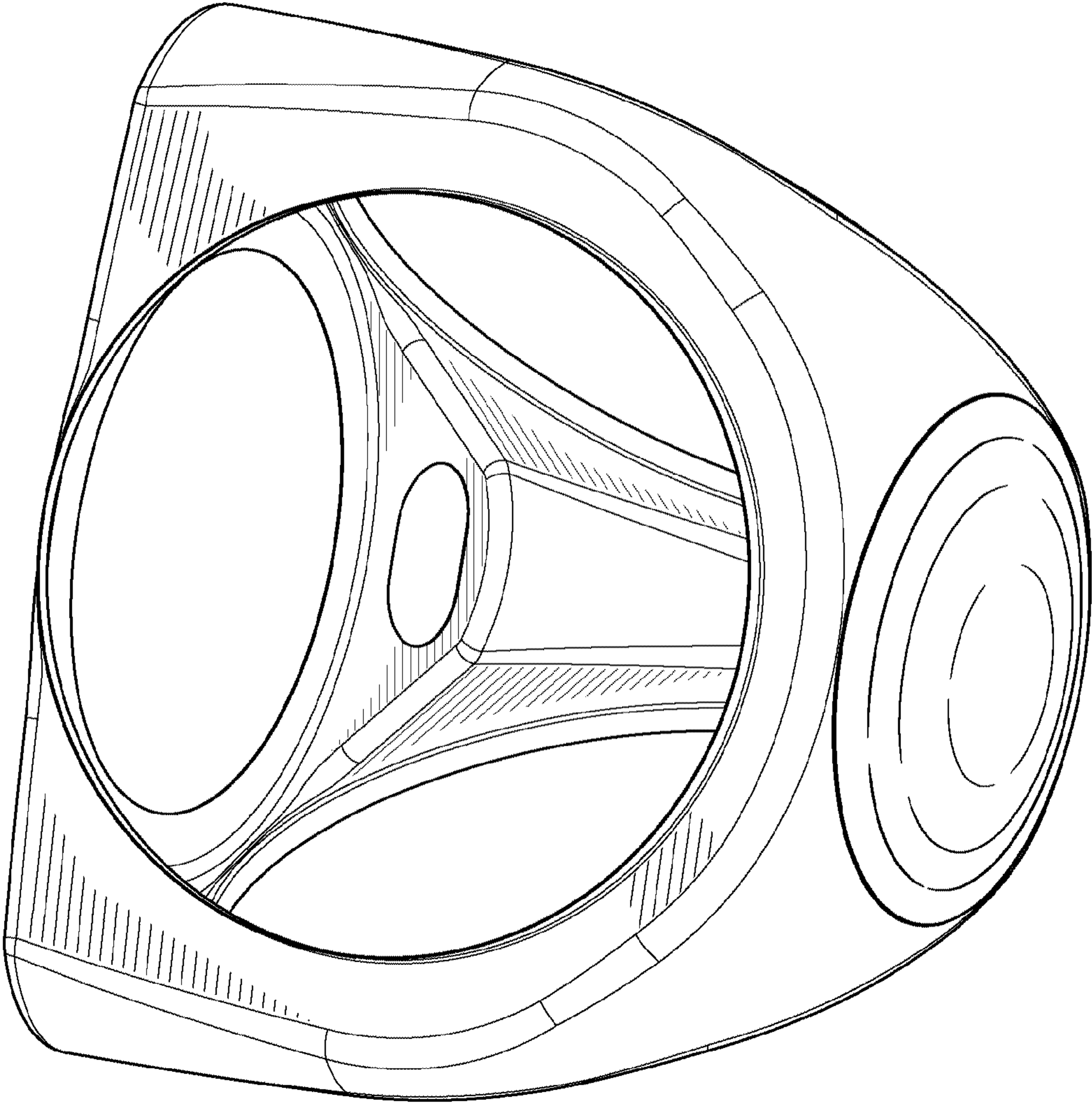


FIG. 2

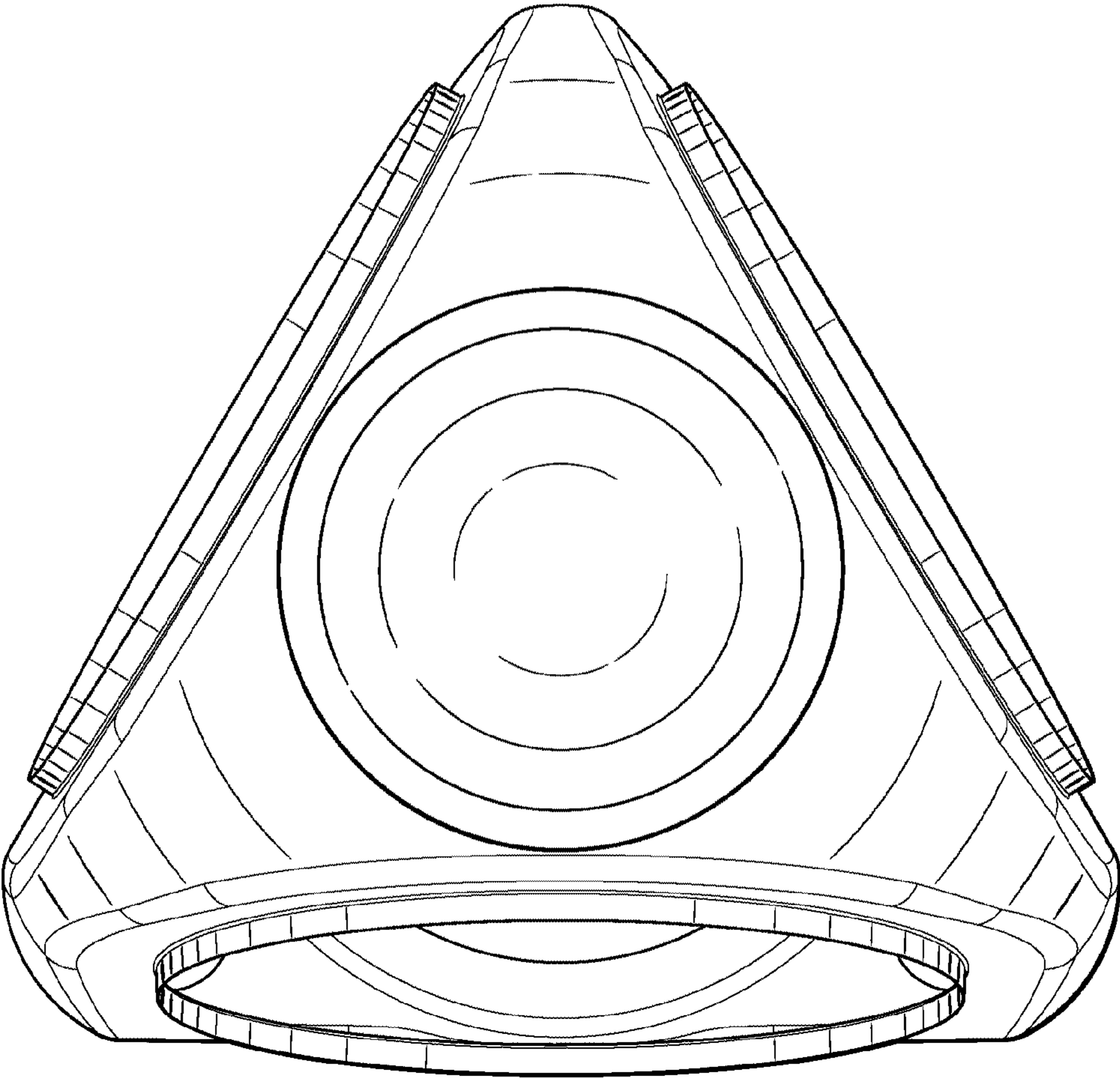


FIG. 3



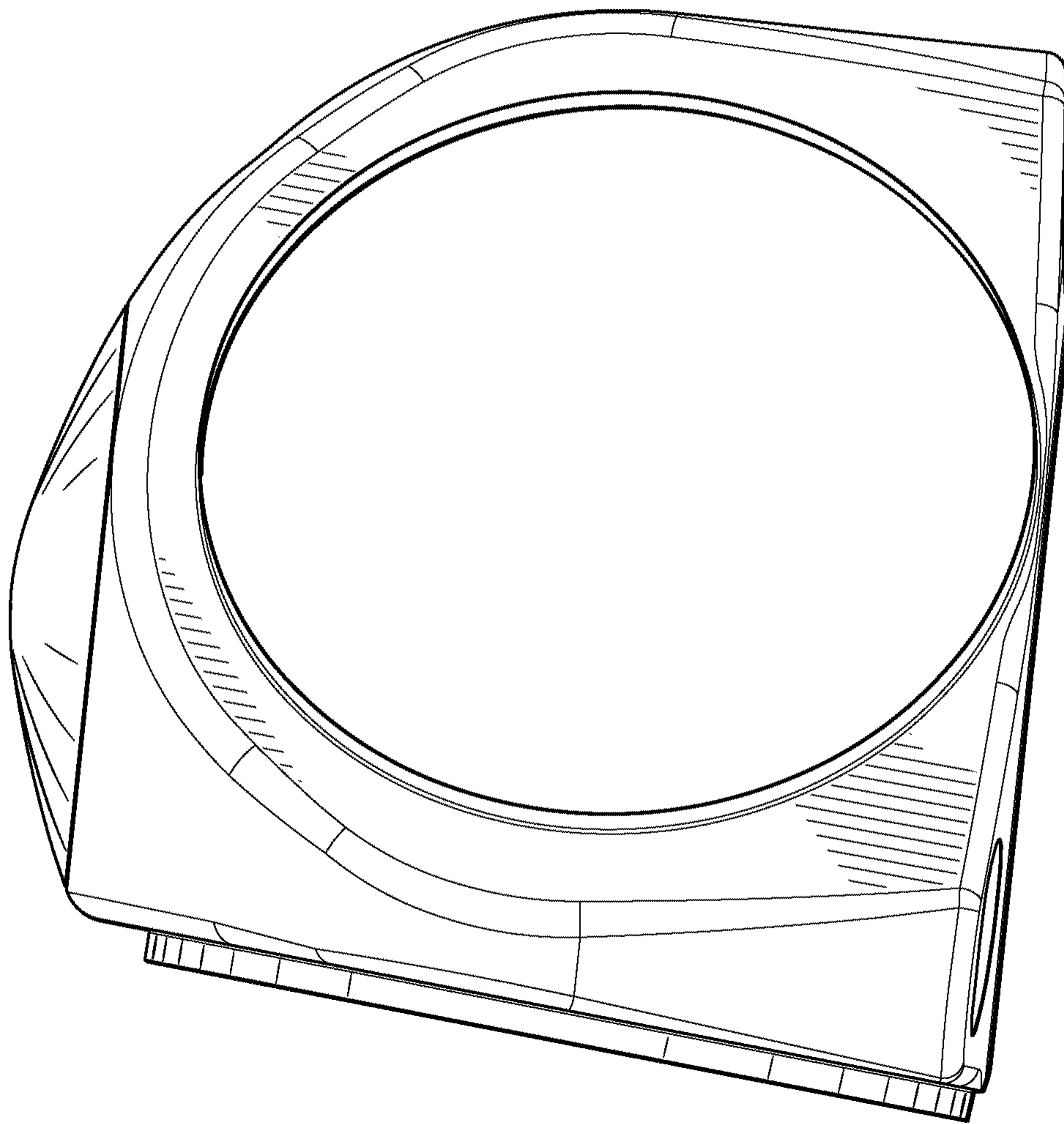


FIG. 4

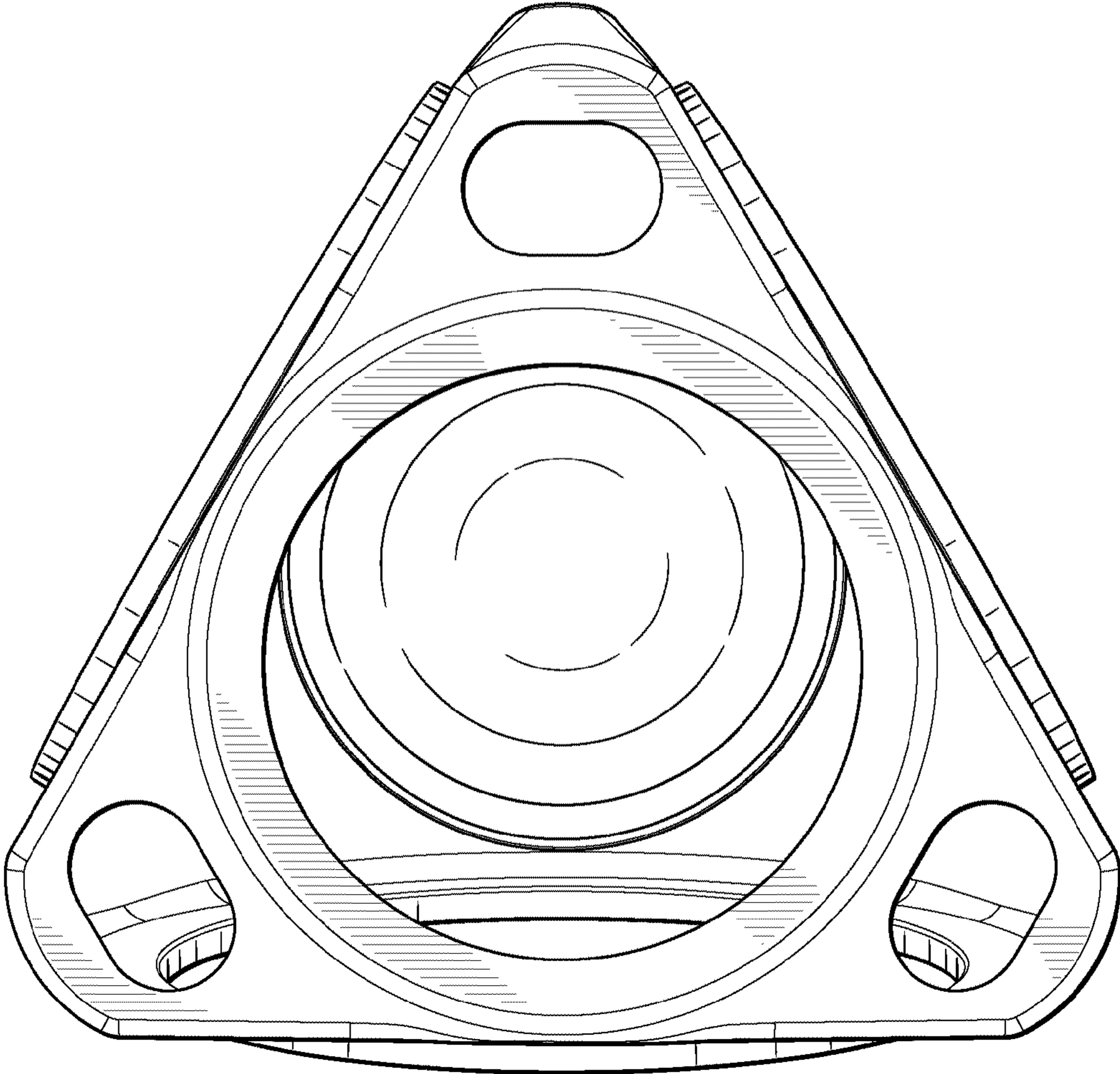


FIG. 5

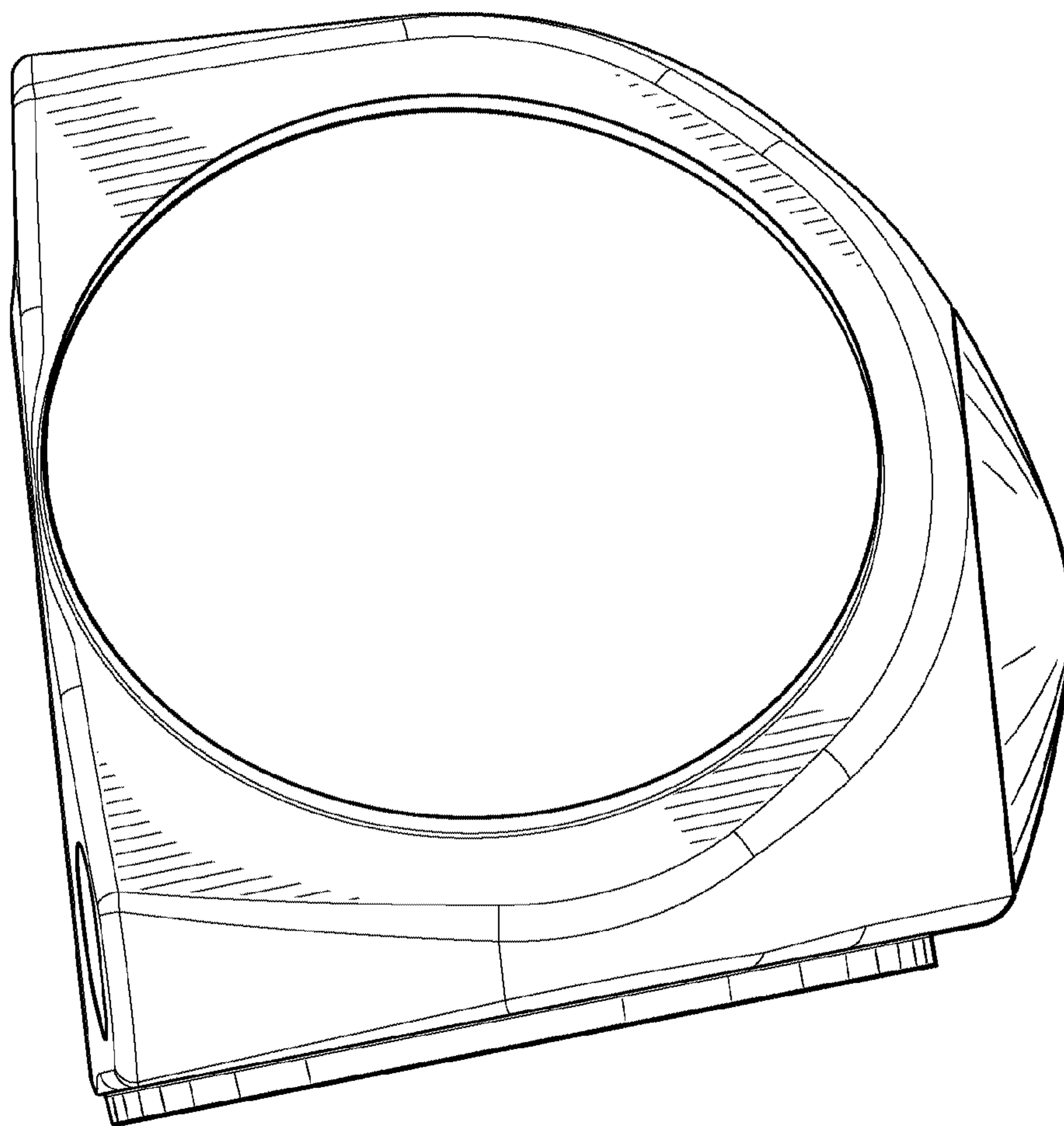


FIG. 6

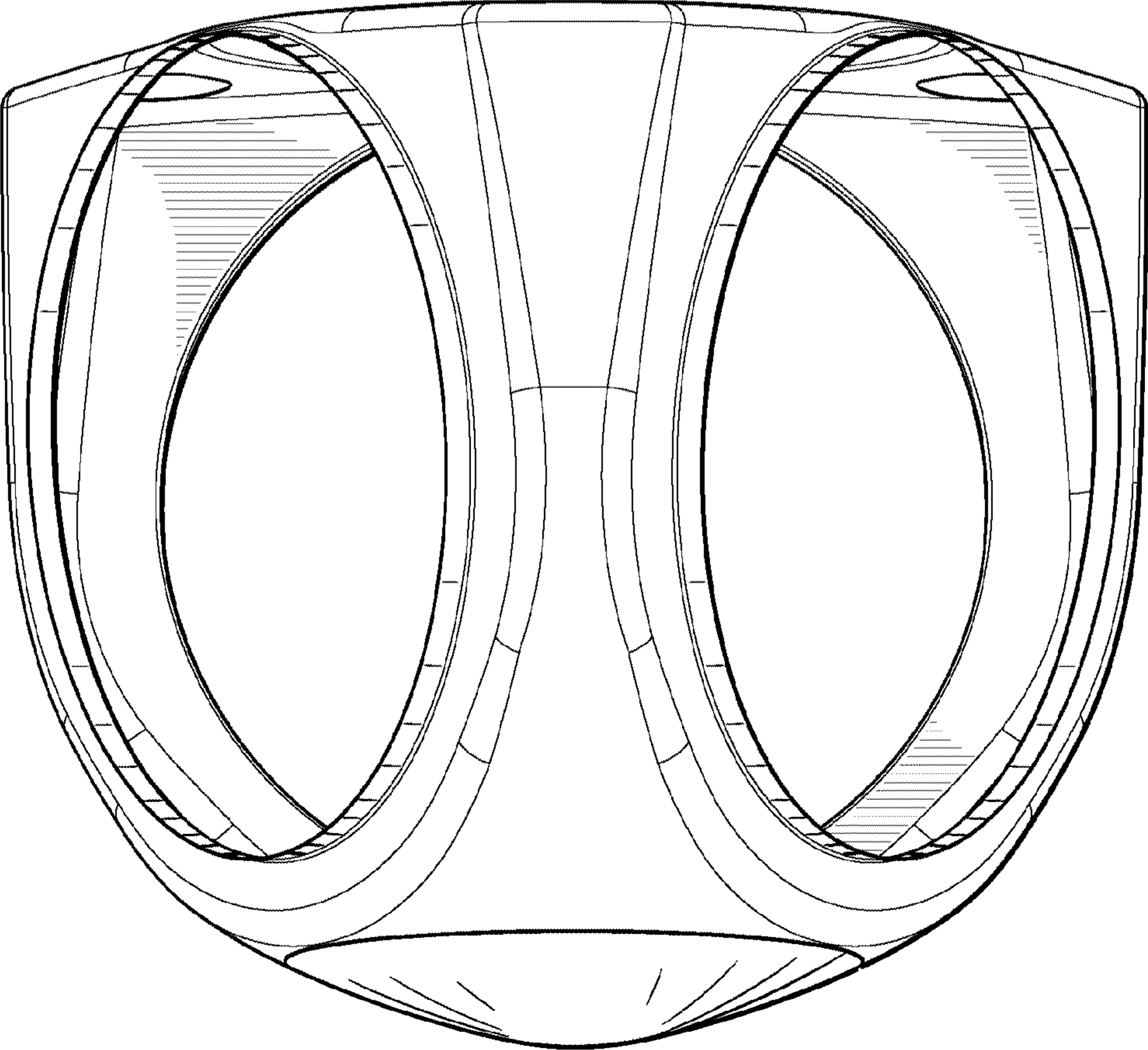


FIG. 7



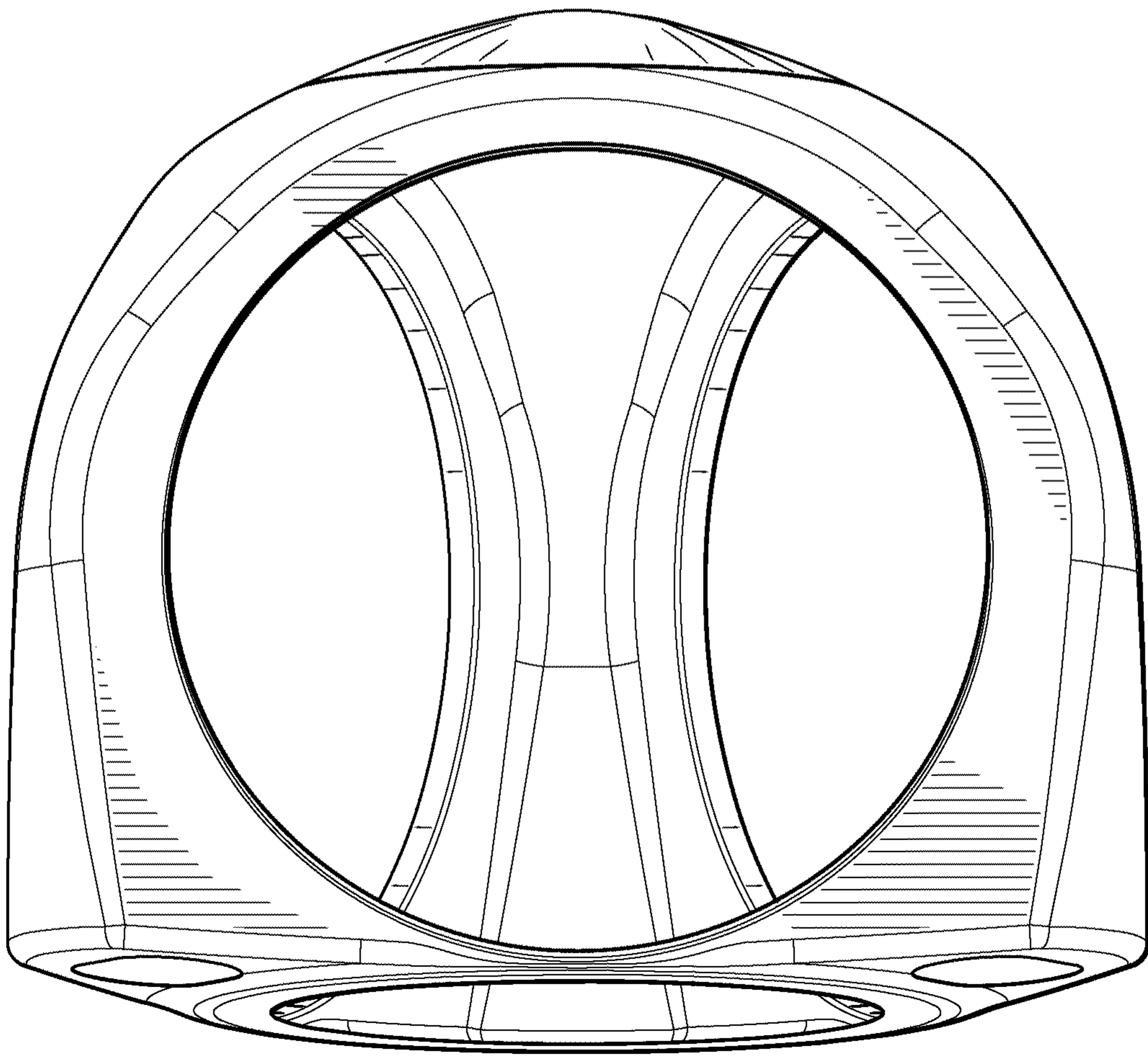


FIG. 8