



US00D699182S

(12) **United States Design Patent**
Chun

(10) **Patent No.:** **US D699,182 S**

(45) **Date of Patent:** **** Feb. 11, 2014**

(54) **PORTABLE ELECTRICAL CHARGER**

(71) Applicant: **James K. Chun**, Fremont, CA (US)

(72) Inventor: **James K. Chun**, Fremont, CA (US)

(**) Term: **14 Years**

(21) Appl. No.: **29/462,715**

(22) Filed: **Aug. 7, 2013**

(51) **LOC (10) Cl.** **13-02**

(52) **U.S. Cl.**
USPC **D13/108**

(58) **Field of Classification Search**
USPC D13/107–110, 118–119, 184, 199;
D14/251, 253, 432, 434; 320/107–115
See application file for complete search history.

(56) **References Cited**

U.S. PATENT DOCUMENTS

D484,853 S *	1/2004	Alviar	D13/110
D604,236 S *	11/2009	Chen	D13/108
D660,227 S *	5/2012	Rodbro	D13/107
D667,788 S *	9/2012	Mai	D13/110
D678,187 S *	3/2013	Huang	D13/103
D680,068 S *	4/2013	Lee	D13/108
D683,310 S *	5/2013	McSweyn	D13/108
D693,296 S *	11/2013	Lin et al.	D13/108

* cited by examiner

Primary Examiner — Rosemary K Tarcza

(74) *Attorney, Agent, or Firm* — Dean A. Craine

(57) **CLAIM**

The ornamental design for a portable electrical charger, as shown and described.

DESCRIPTION

FIG. 1 is a front bottom perspective view of a portable electrical charger shown in a folded, closed configuration.

FIG. 2 is a rear top perspective of the portable electrical charger shown in FIG. 1.

FIG. 3 is a front elevational view of the portable electrical charger shown in FIG. 1.

FIG. 4 is a rear elevational of the portable electrical charger shown in FIG. 1.

FIG. 5 is a right side elevational view of the portable electrical charger shown in FIG. 1.

FIG. 6 is a left side elevational view of the portable electrical charger shown in FIG. 1.

FIG. 7 is a top plan view of the portable electrical charger shown in FIG. 1.

FIG. 8 is a bottom plan view of the portable electrical charger shown in FIG. 1.

FIG. 9 is a rear perspective of the portable electrical charger shown expanded into a stand configuration.

FIG. 10 is a right side elevational view of the portable electrical charger shown in FIG. 9.

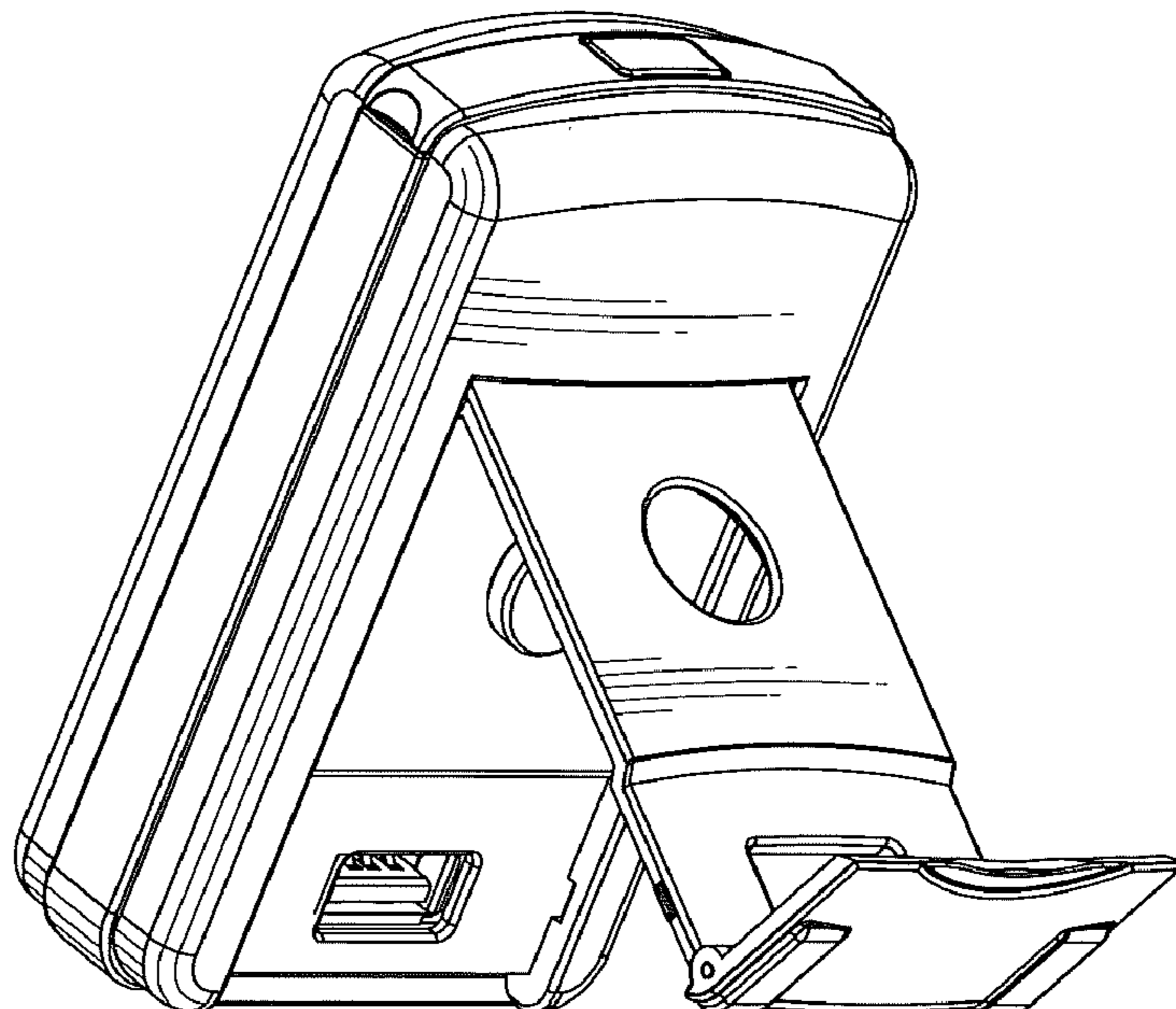
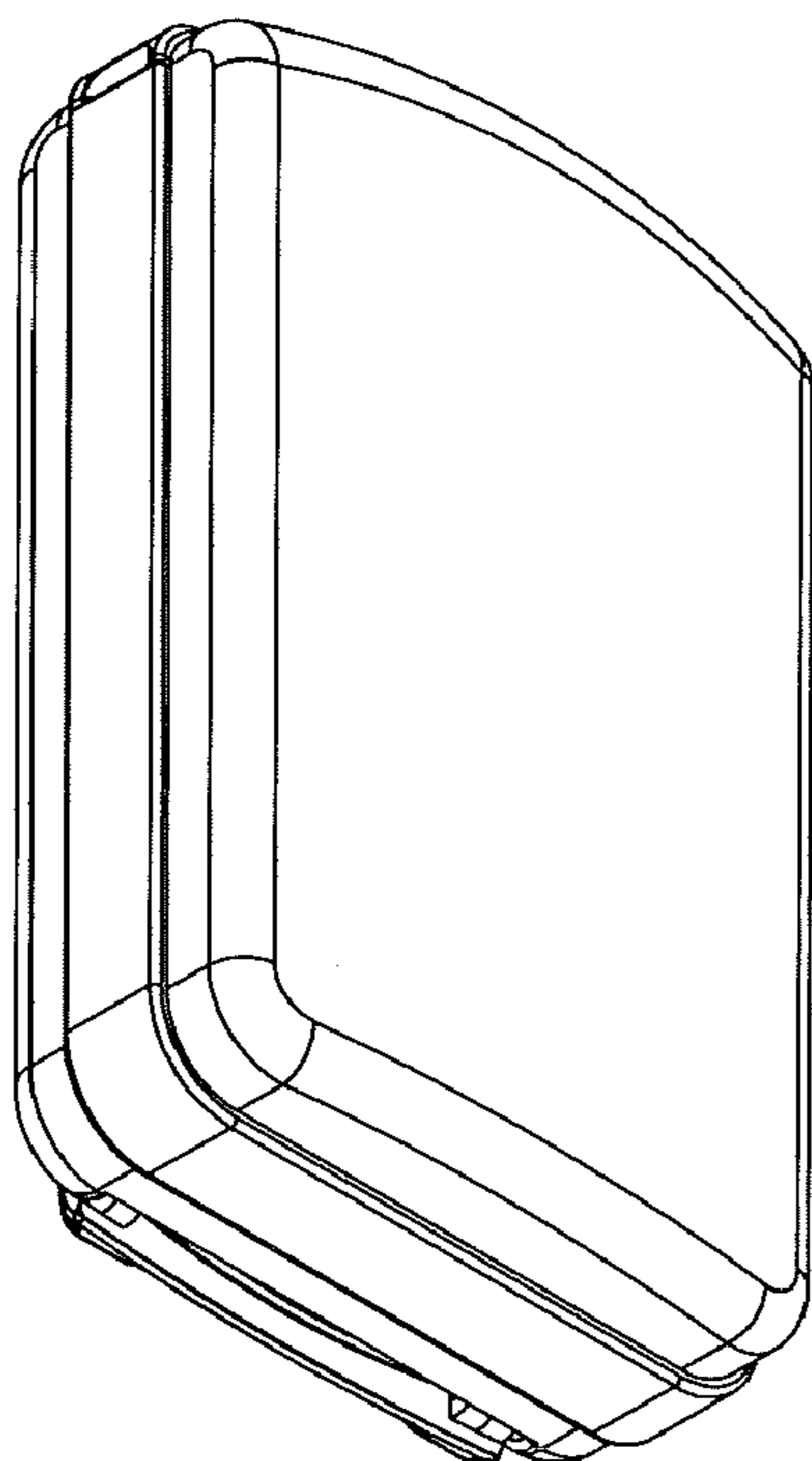
FIG. 11 is a rear elevational view the portable electrical charger shown in FIG. 9.

FIG. 12 is rear perspective view of the portable electrical charger shown with the lower lid in an open configuration.

FIG. 13 is a rear elevational view the portable electrical charger shown in FIG. 12; and,

FIG. 14 is a right side elevational view of the portable electrical charger shown in FIG. 9.

1 Claim, 4 Drawing Sheets



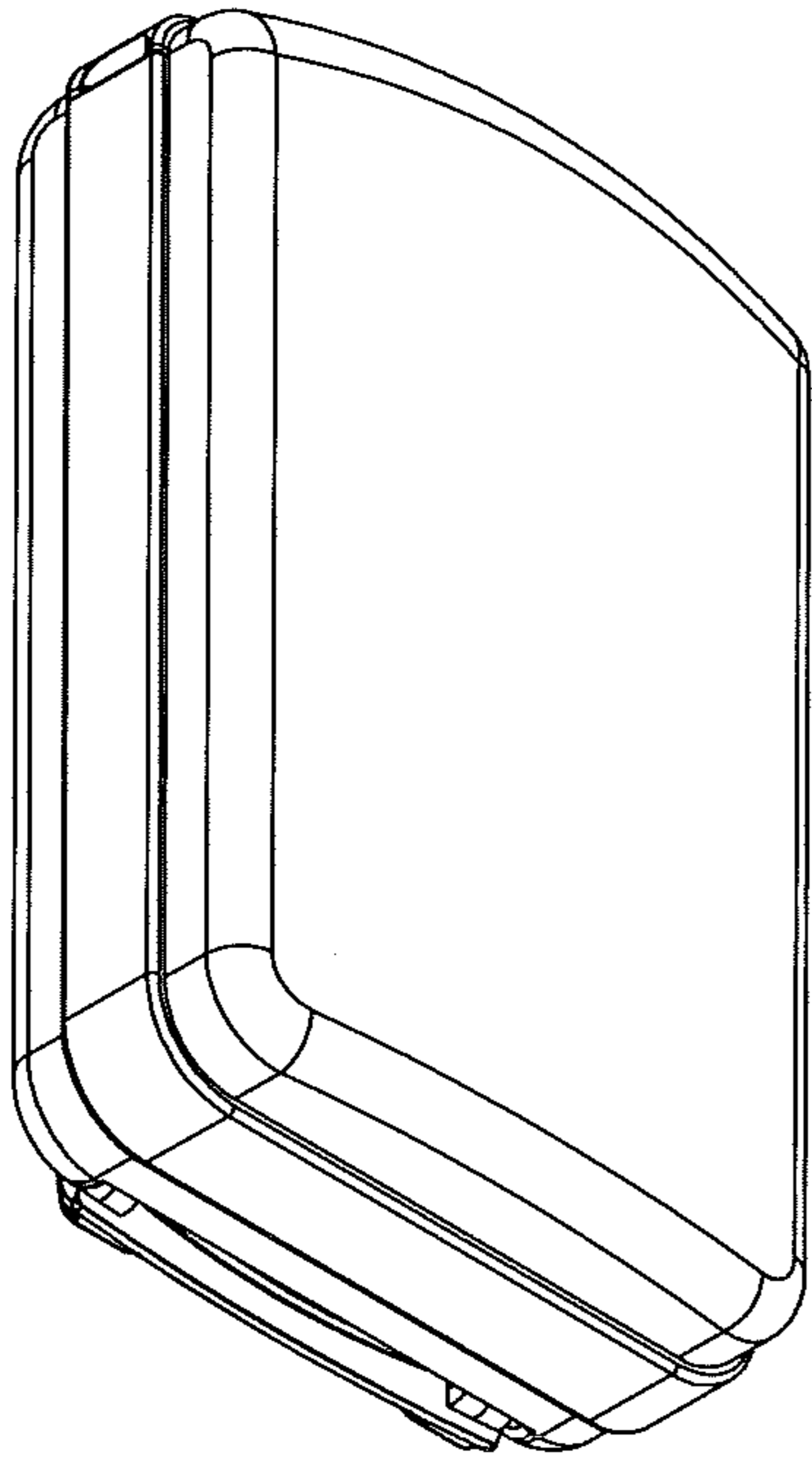


Fig. 1

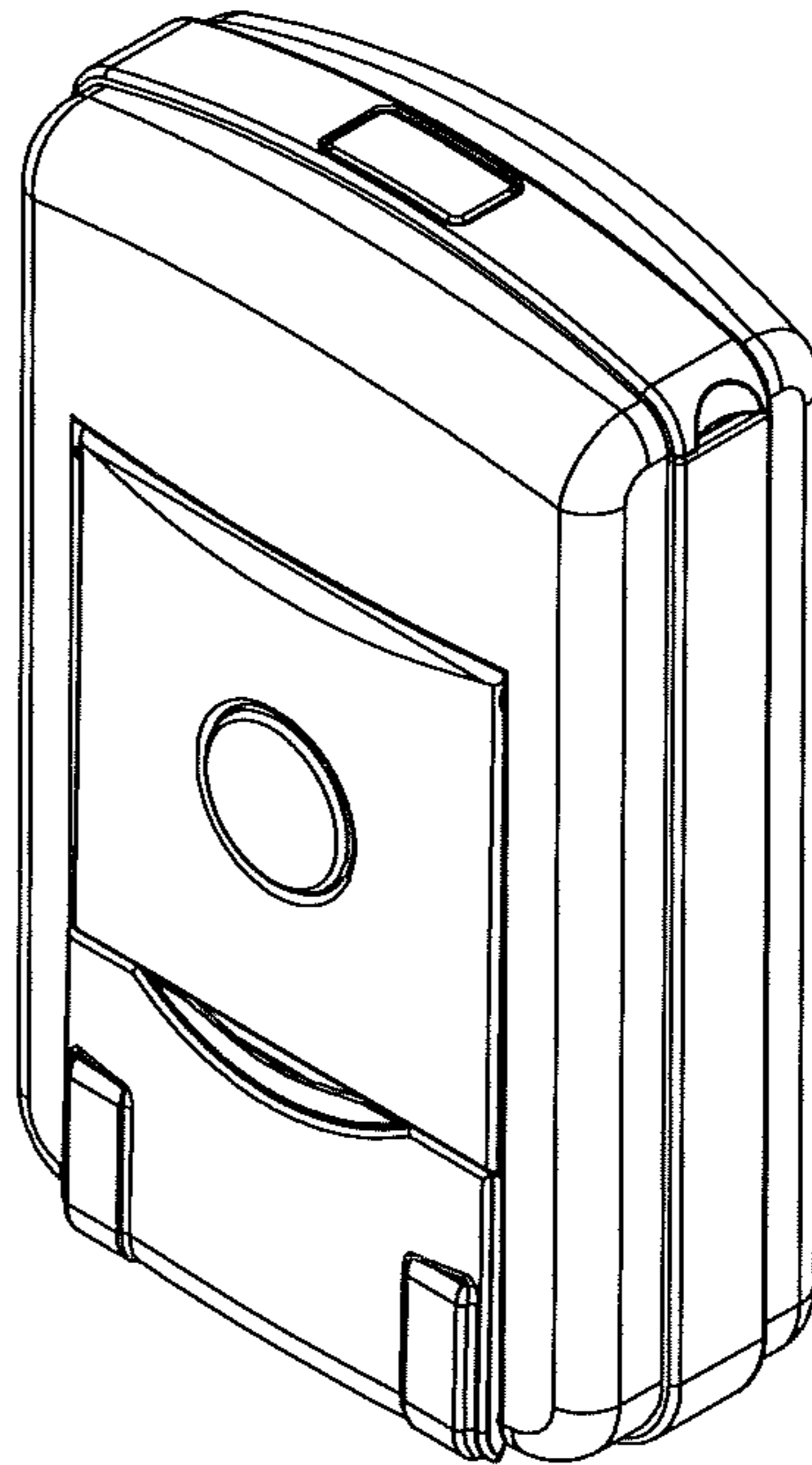


Fig. 2

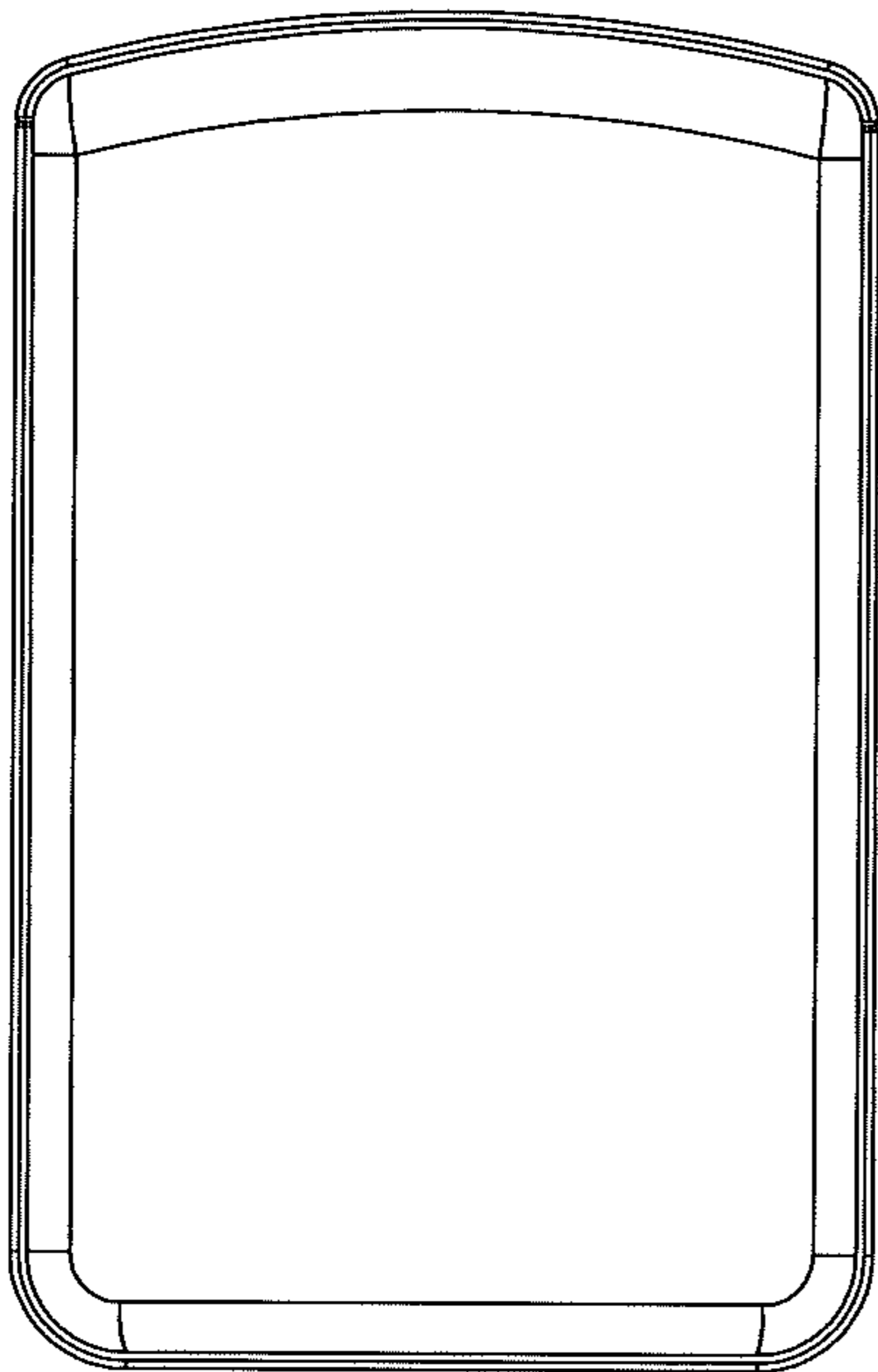


Fig. 3

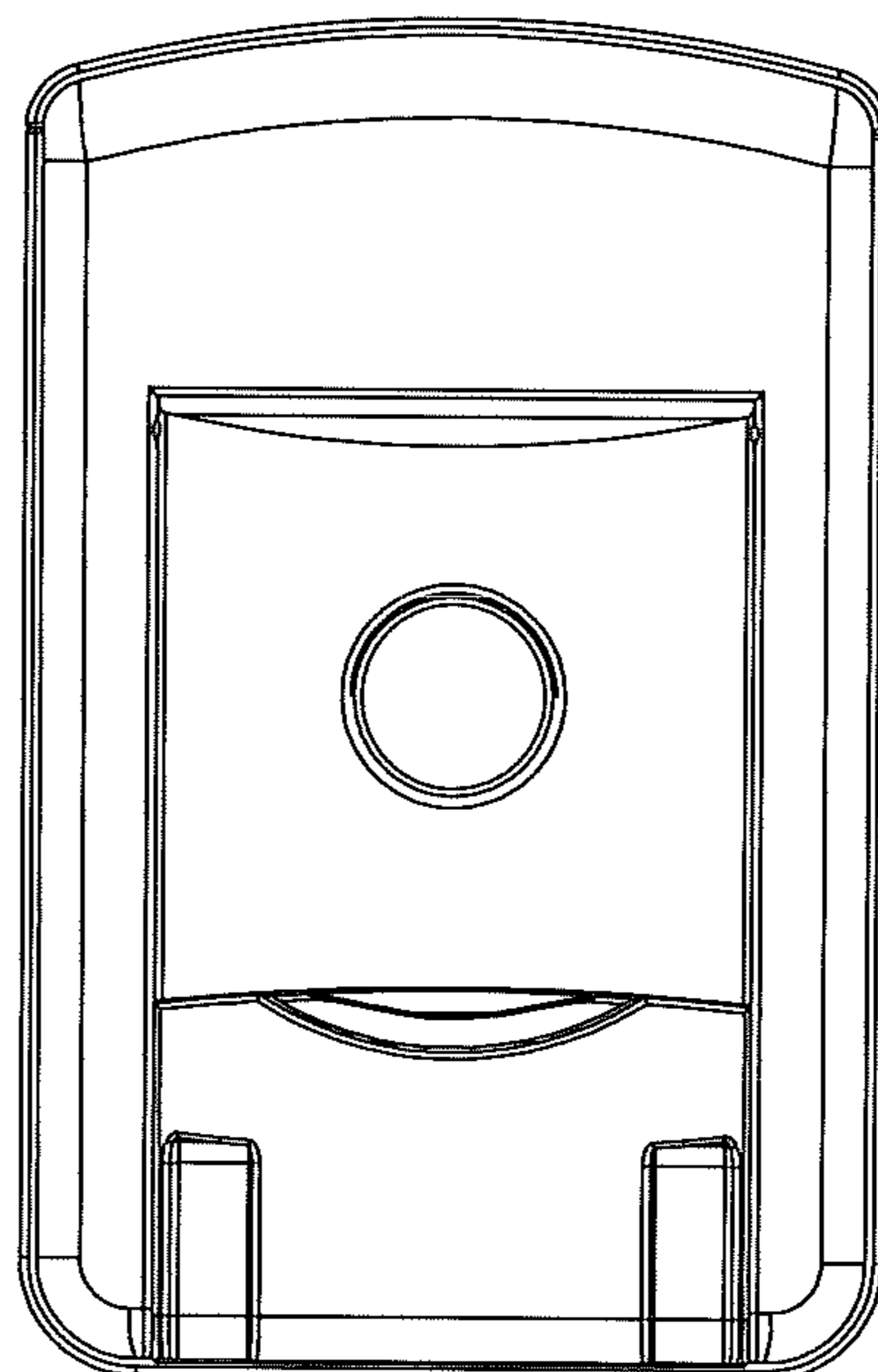


Fig. 4

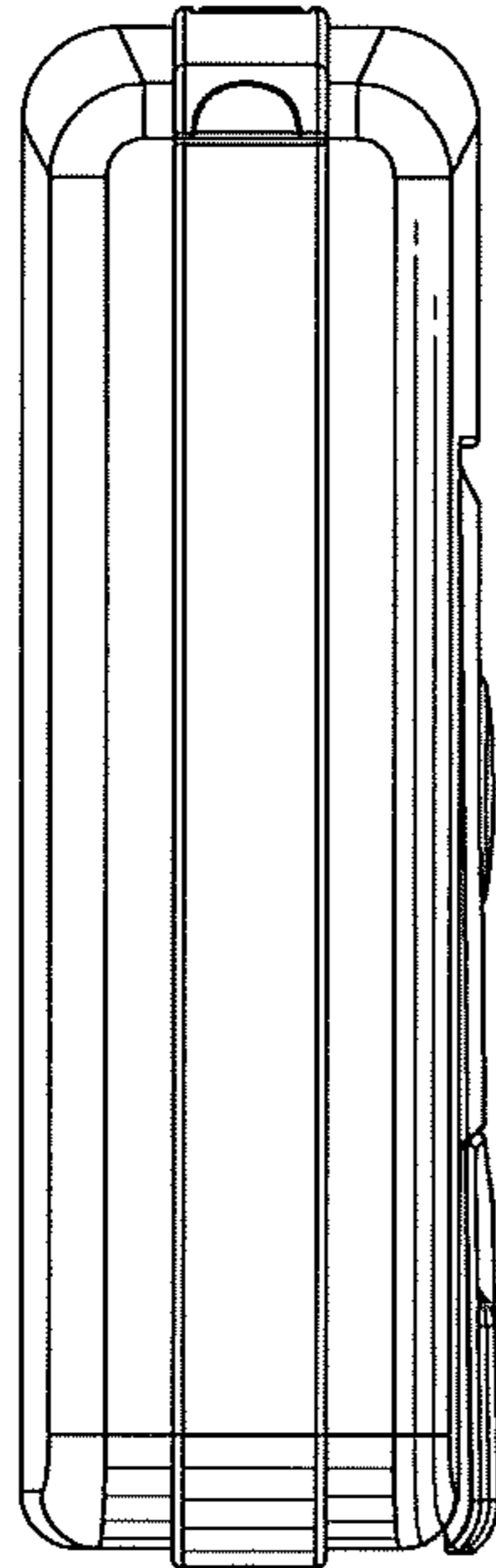


Fig. 5

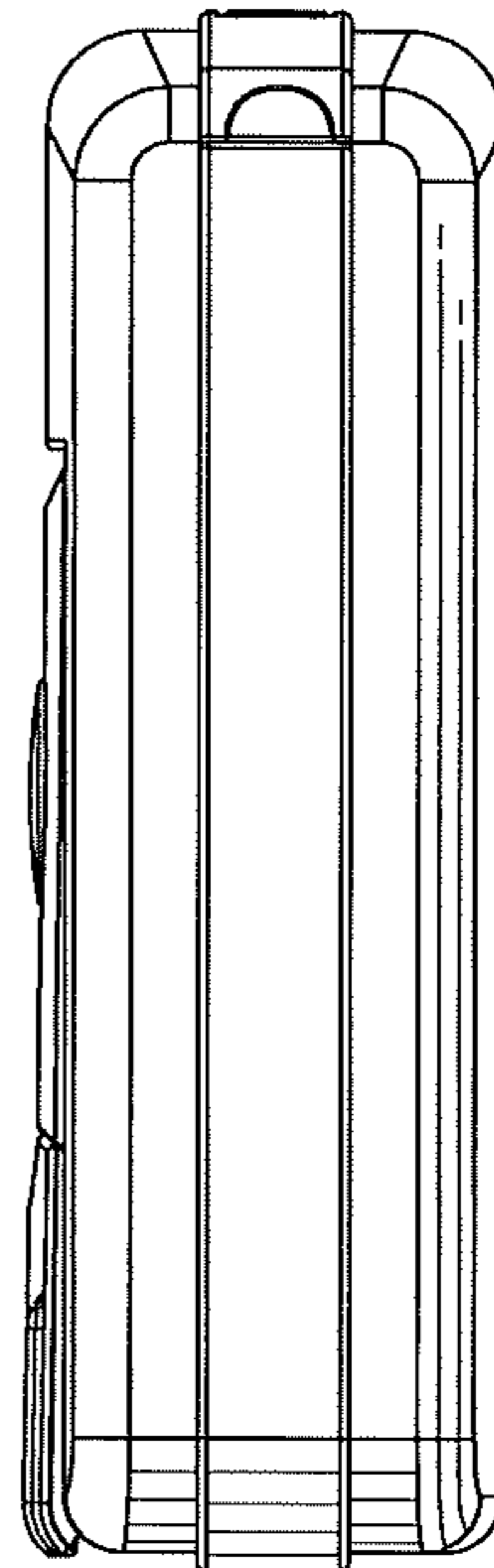


Fig. 6

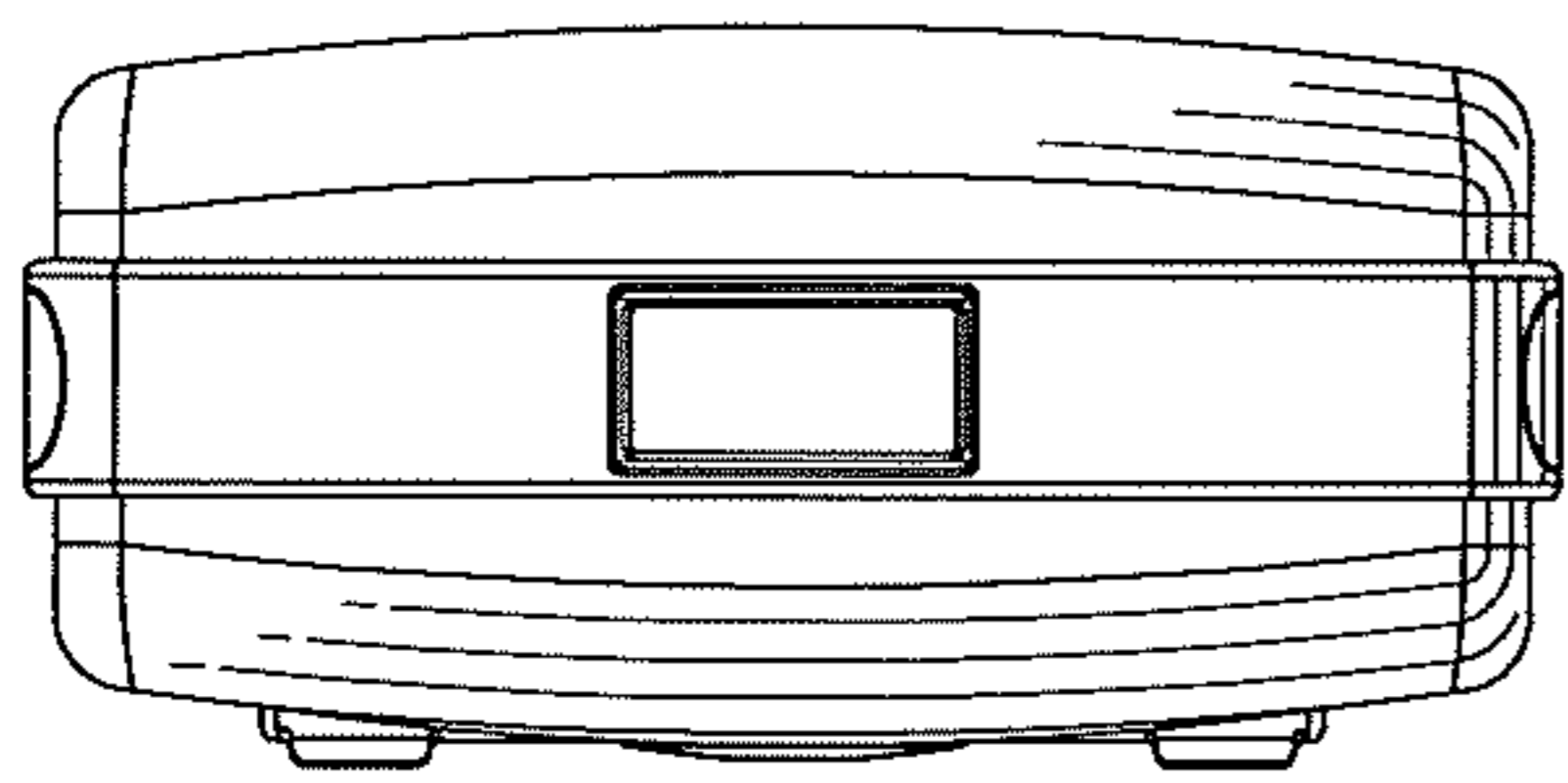


Fig. 7

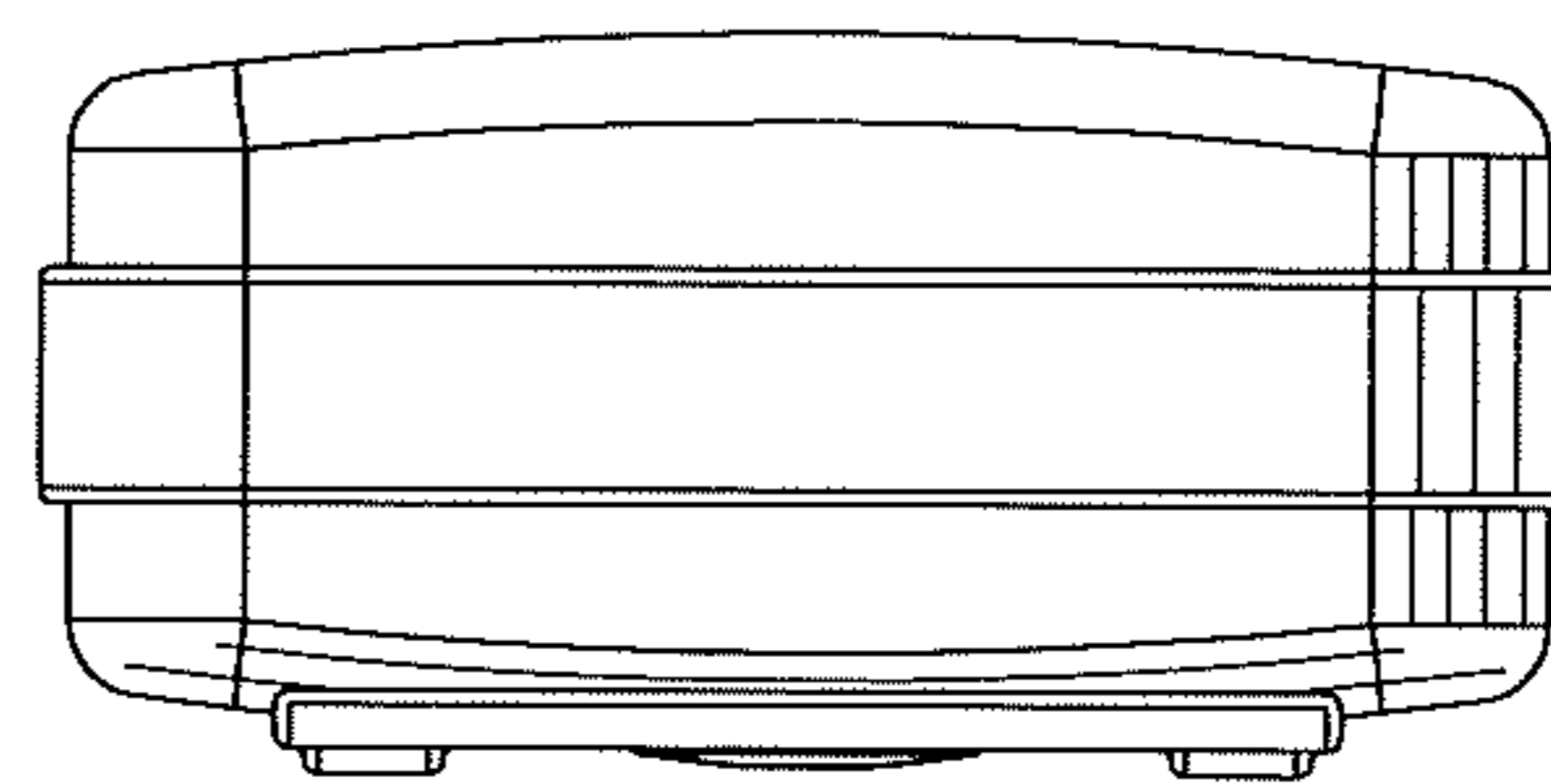


Fig. 8

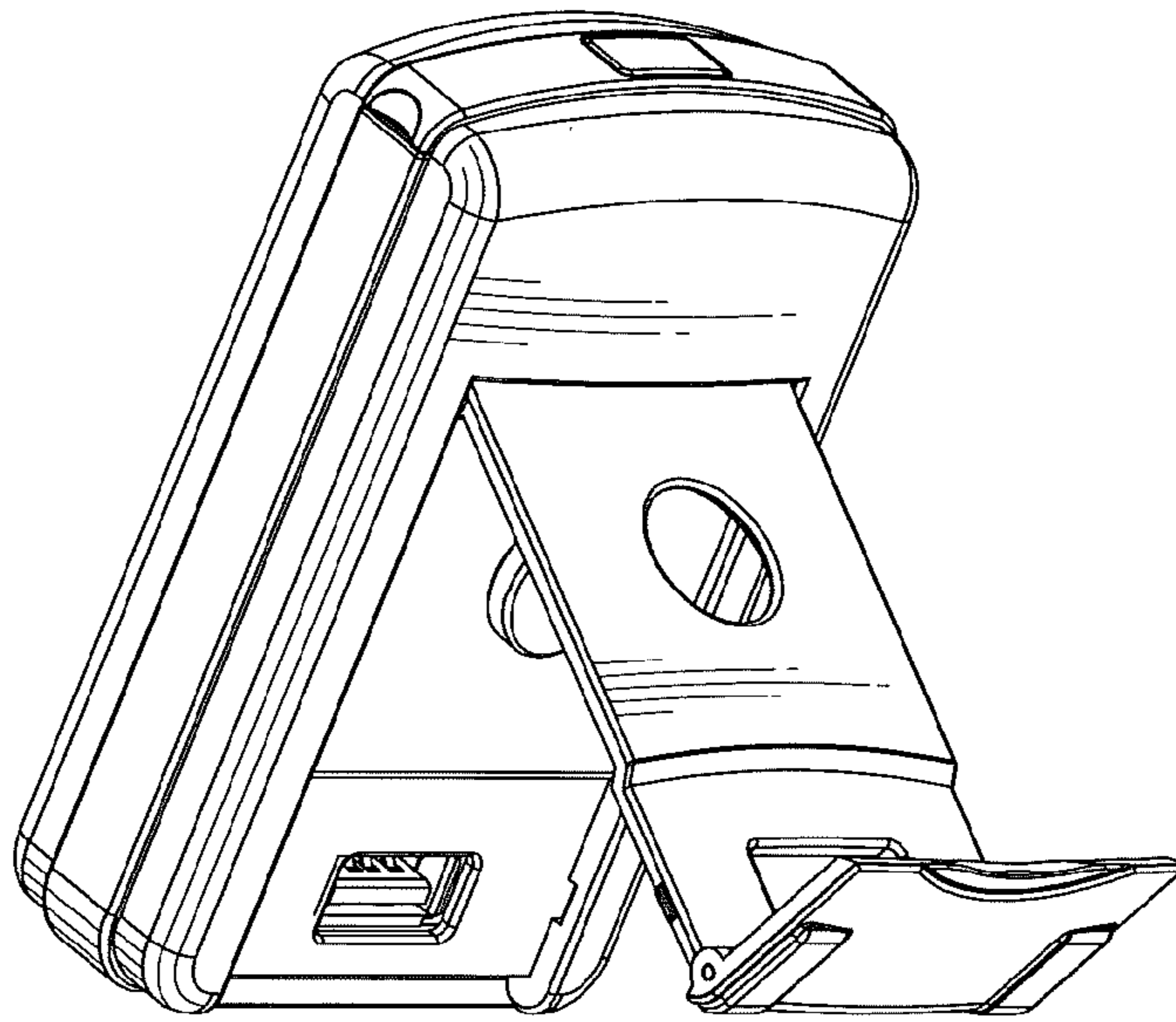


Fig. 9

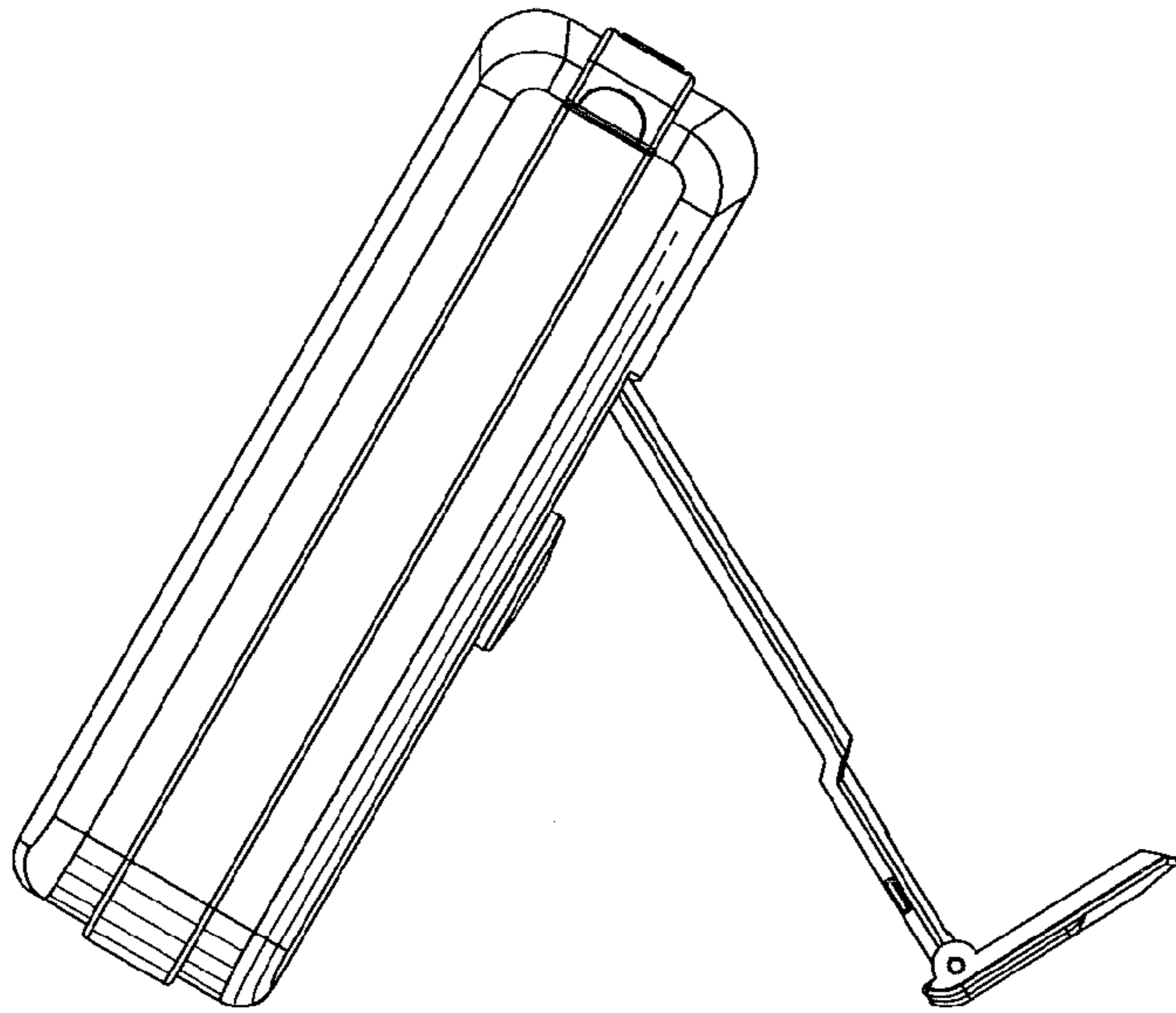


Fig. 10

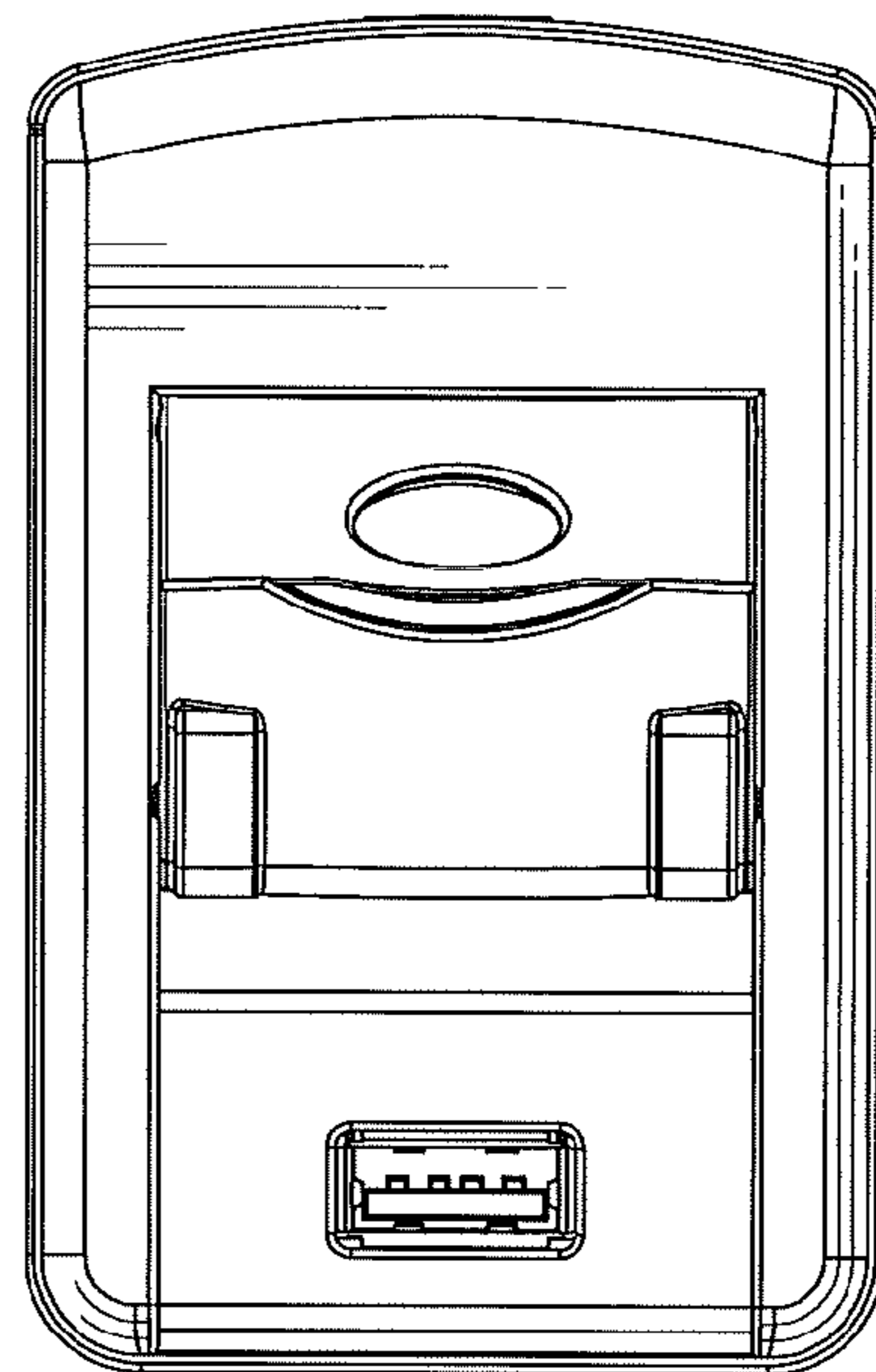


Fig. 11

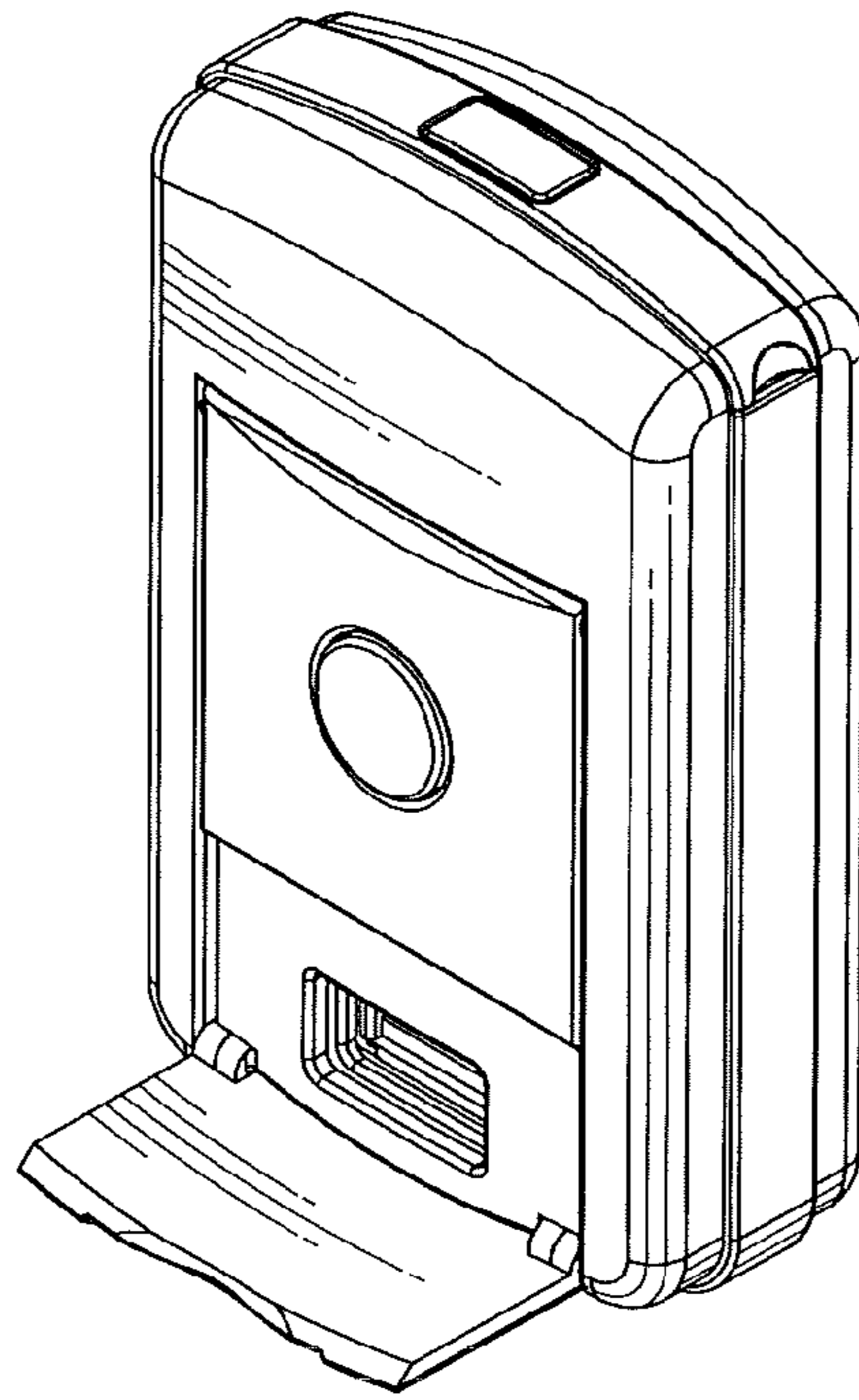


Fig. 12

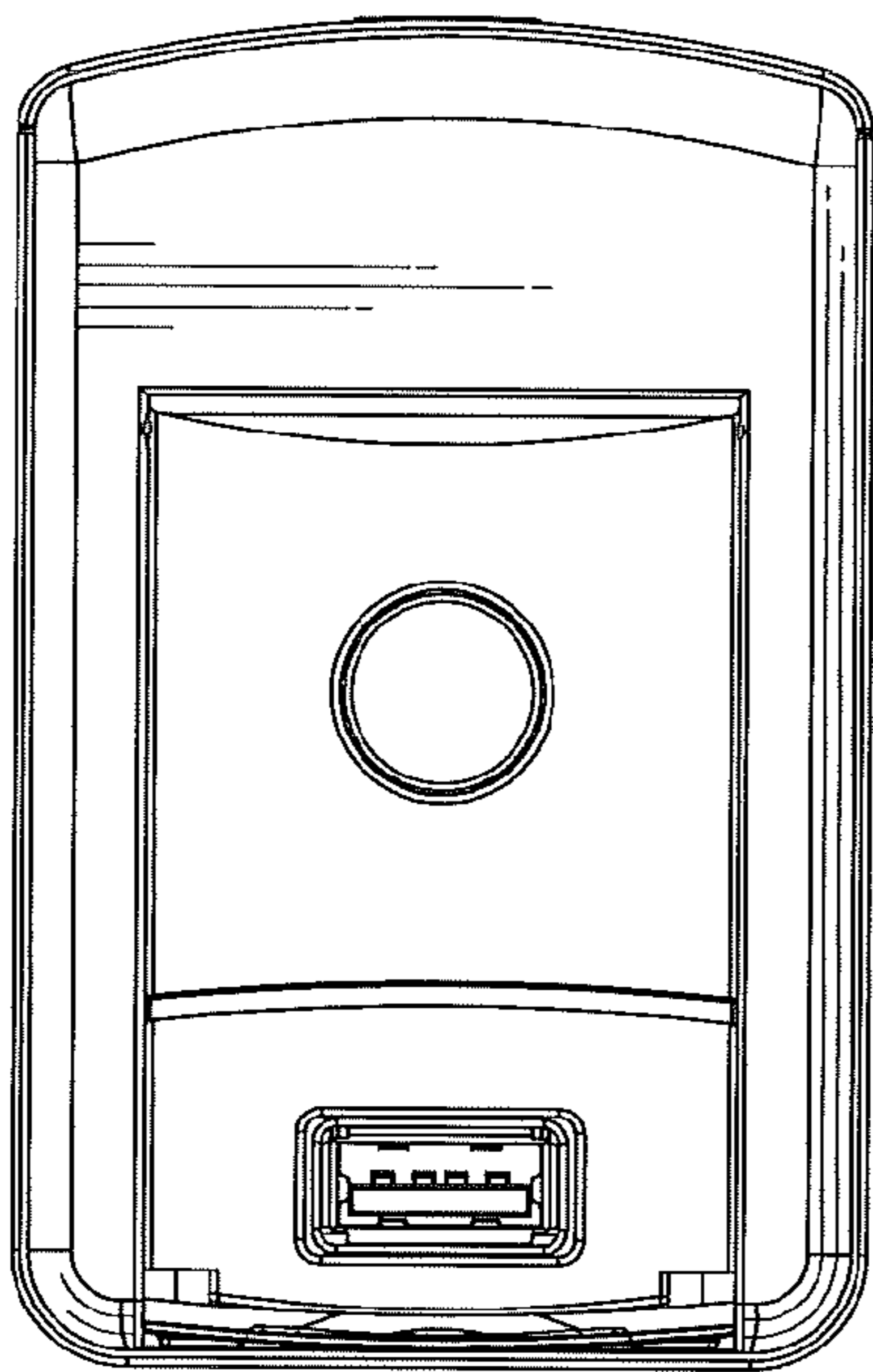


Fig. 13

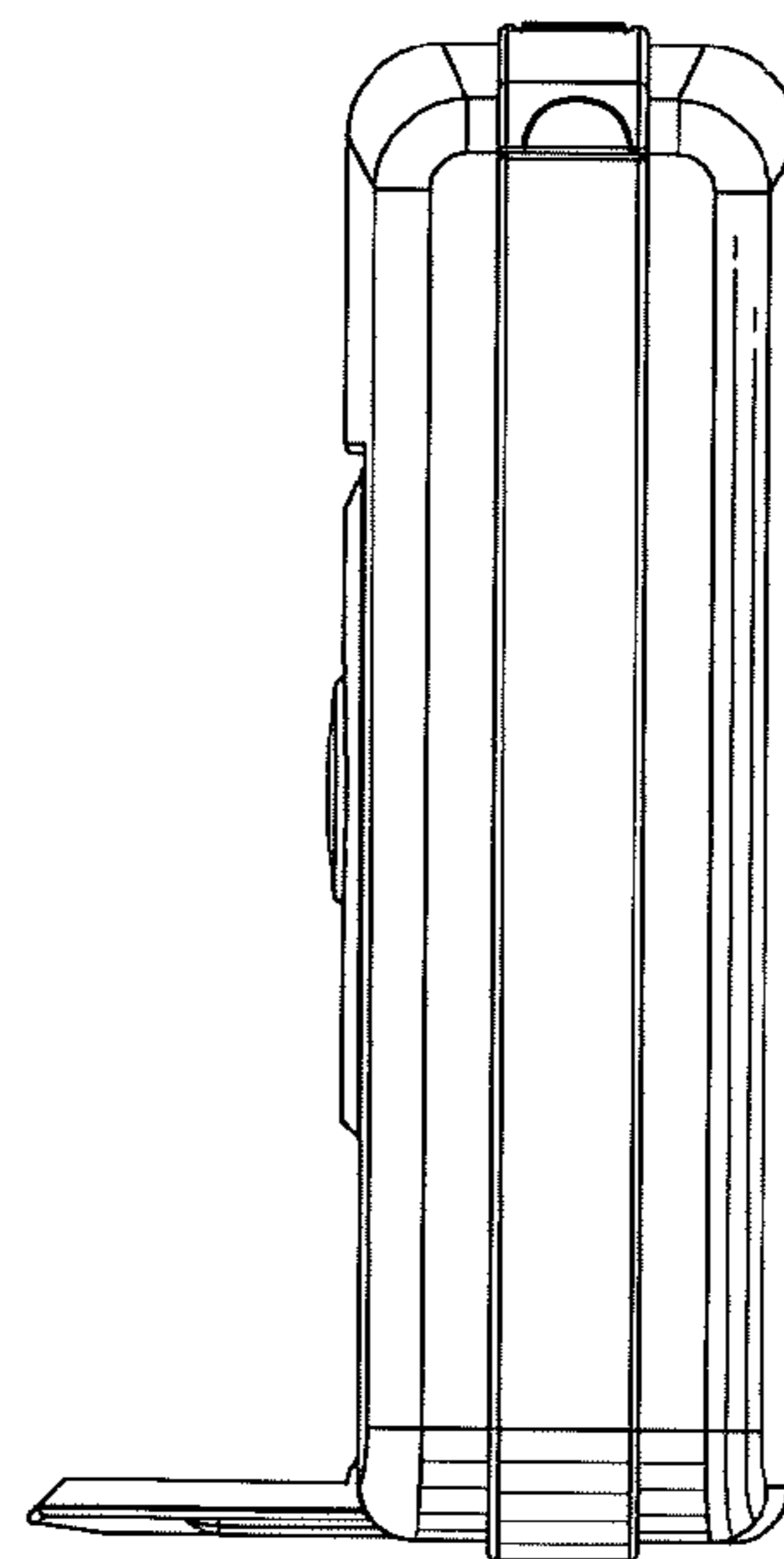


Fig. 14