



US00D699179S

(12) **United States Design Patent**  
**Alexander**

(10) **Patent No.:** **US D699,179 S**

(45) **Date of Patent:** **\*\* Feb. 11, 2014**

(54) **FIELD REPLACEABLE POWER SUPPLY CARTRIDGE**

(71) Applicant: **Journée Lighting, Inc.**, Westlake Village, CA (US)

(72) Inventor: **Clayton Alexander**, Westlake Village, CA (US)

(73) Assignee: **Journée Lighting, Inc.**, Westlake Village, CA (US)

(\*\*) Term: **14 Years**

(21) Appl. No.: **29/457,754**

(22) Filed: **Jun. 12, 2013**

(51) **LOC (10) Cl.** ..... **13-02**

(52) **U.S. Cl.**  
USPC ..... **D13/103**

(58) **Field of Classification Search**  
USPC ..... D13/102–104, 110, 118–121, 184, 199;  
429/96–100, 163, 176  
See application file for complete search history.

(56) **References Cited**

**U.S. PATENT DOCUMENTS**

2,702,378	A	2/1955	Talty	
3,040,170	A	6/1962	Chwan	
3,247,368	A	4/1966	McHugh	
4,414,489	A	11/1983	Young	
4,674,015	A	6/1987	Smith	
5,177,404	A	1/1993	Cohen et al.	
5,253,152	A	10/1993	Yang et al.	
5,324,213	A	6/1994	Frantz	
5,367,229	A	11/1994	Yang	
5,410,462	A	4/1995	Wolfe	
D384,336	S *	9/1997	Gerber et al.	D13/184
5,788,533	A	8/1998	Alvarado-Rodriguez	
D408,823	S *	4/1999	Kirby	D14/240
5,938,316	A	8/1999	Yan	
6,079,851	A	6/2000	Altman et al.	

6,083,021	A	7/2000	Lau
6,124,673	A	9/2000	Bishop
6,176,594	B1	1/2001	Yarconi
6,198,233	B1	3/2001	McConaughy
6,260,981	B1	7/2001	Fiene
6,390,646	B1	5/2002	Yan
6,392,360	B2	5/2002	McConaughy
6,435,693	B1	8/2002	Fiene
6,439,736	B1	8/2002	Fiene
6,488,386	B1	12/2002	Yan
6,508,567	B1	1/2003	Fiene

(Continued)

*Primary Examiner* — Rosemary K Tarcza

(74) *Attorney, Agent, or Firm* — Knobbe Martens Olson & Bear, LLP

(57) **CLAIM**

The ornamental design for a field replaceable power supply cartridge, as shown and described.

**DESCRIPTION**

FIG. 1 is a perspective top view of the field replaceable power supply cartridge.

FIG. 2 is a planar front view of the power supply cartridge in FIG. 1.

FIG. 3 is a left side view of the power supply cartridge in FIG. 1.

FIG. 4 is a planar rear view of the power supply cartridge in FIG. 1.

FIG. 5 is a right side view of the power supply cartridge in FIG. 1.

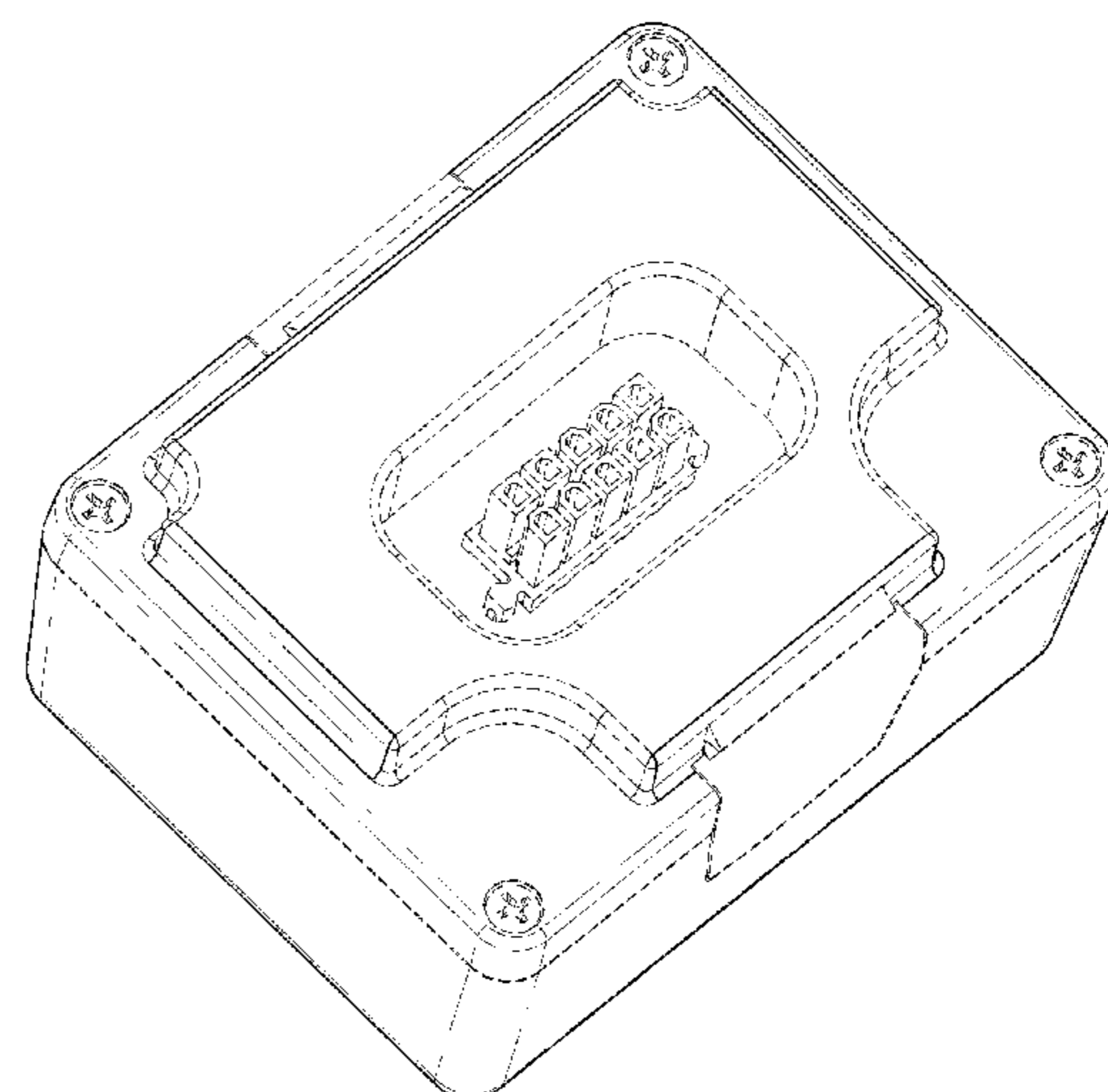
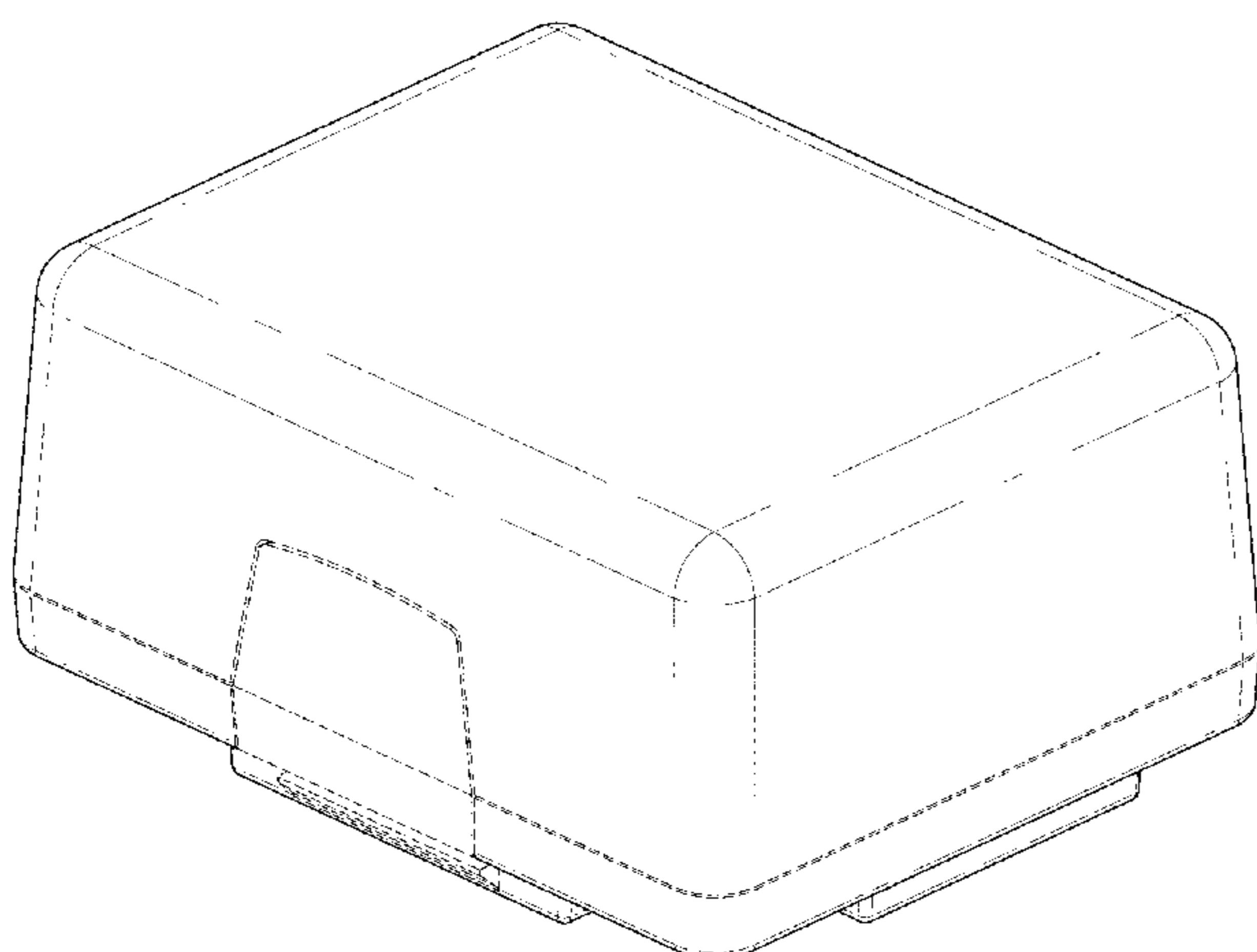
FIG. 6 is a planar top view of the power supply cartridge in FIG. 1.

FIG. 7 is a planar bottom view of the power supply cartridge in FIG. 1; and,

FIG. 8 is a perspective bottom view of the field replaceable power supply cartridge.

The broken lines shown in the drawings are included for the purpose of illustrating environmental structure and form no part of the claimed design.

**1 Claim, 8 Drawing Sheets**



(56)

**References Cited**

U.S. PATENT DOCUMENTS

6,618,231 B2	9/2003	McConaughy	7,784,966 B2	8/2010	Verfuert et al.
6,788,510 B2	9/2004	McConaughy	D629,365 S *	12/2010	Garcia De Vicuna ..... D13/152
6,814,462 B1	11/2004	Fiene	7,857,498 B2	12/2010	Smith
6,860,617 B2	3/2005	Fiene	7,896,517 B2	3/2011	Mandy et al.
D506,065 S *	6/2005	Sugino et al. .... D3/294	7,914,198 B2	3/2011	Mier-Langner et al.
6,979,097 B2	12/2005	Elam et al.	7,965,494 B1	6/2011	Morris et al.
D516,020 S *	2/2006	Wong et al. .... D13/103	7,993,031 B2	8/2011	Grajcar
7,066,617 B2	6/2006	Mandy et al.	8,136,958 B2	3/2012	Verfuert et al.
D548,691 S *	8/2007	Krieger et al. .... D13/110	D660,229 S *	5/2012	Tseng ..... D13/110
7,282,840 B2	10/2007	Chih	8,201,965 B2	6/2012	Yamada et al.
D576,545 S *	9/2008	Mandel et al. .... D13/103	D665,340 S *	8/2012	Obata ..... D13/103
7,467,888 B2	12/2008	Fiene	8,319,437 B2	11/2012	Carlin et al.
7,513,675 B2	4/2009	Mier-Langner et al.	8,337,043 B2	12/2012	Verfuert et al.
7,575,338 B1	8/2009	Verfuert	2006/0062019 A1	3/2006	Young
7,594,738 B1	9/2009	Lin et al.	2010/0319953 A1	12/2010	Yochum et al.
7,628,506 B2	12/2009	Verfuert et al.	2011/0115381 A1	5/2011	Carlin
			2012/0092860 A1	4/2012	Blackstone
			2013/0049627 A1	2/2013	Roberts et al.

\* cited by examiner

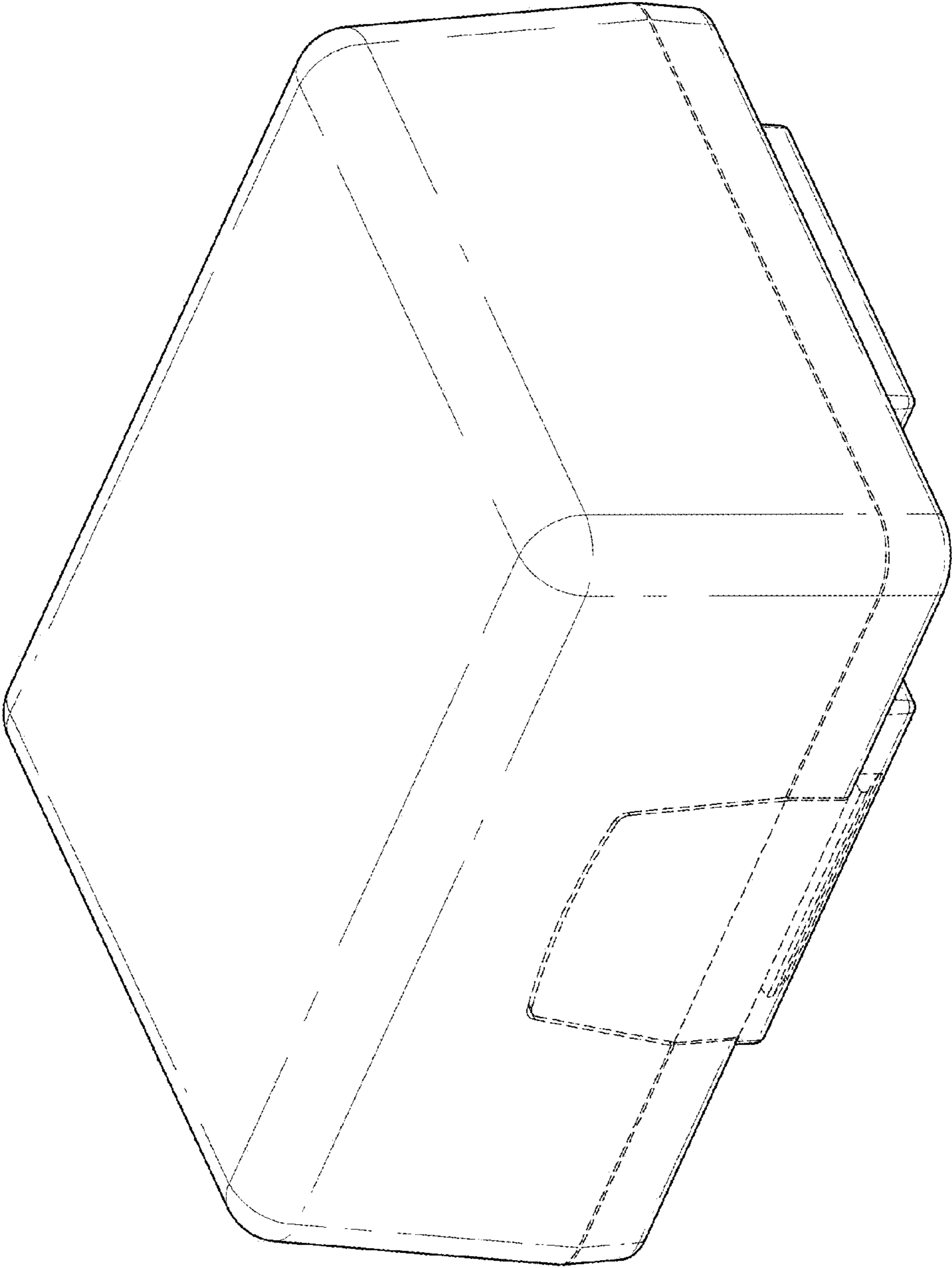


FIG. 1

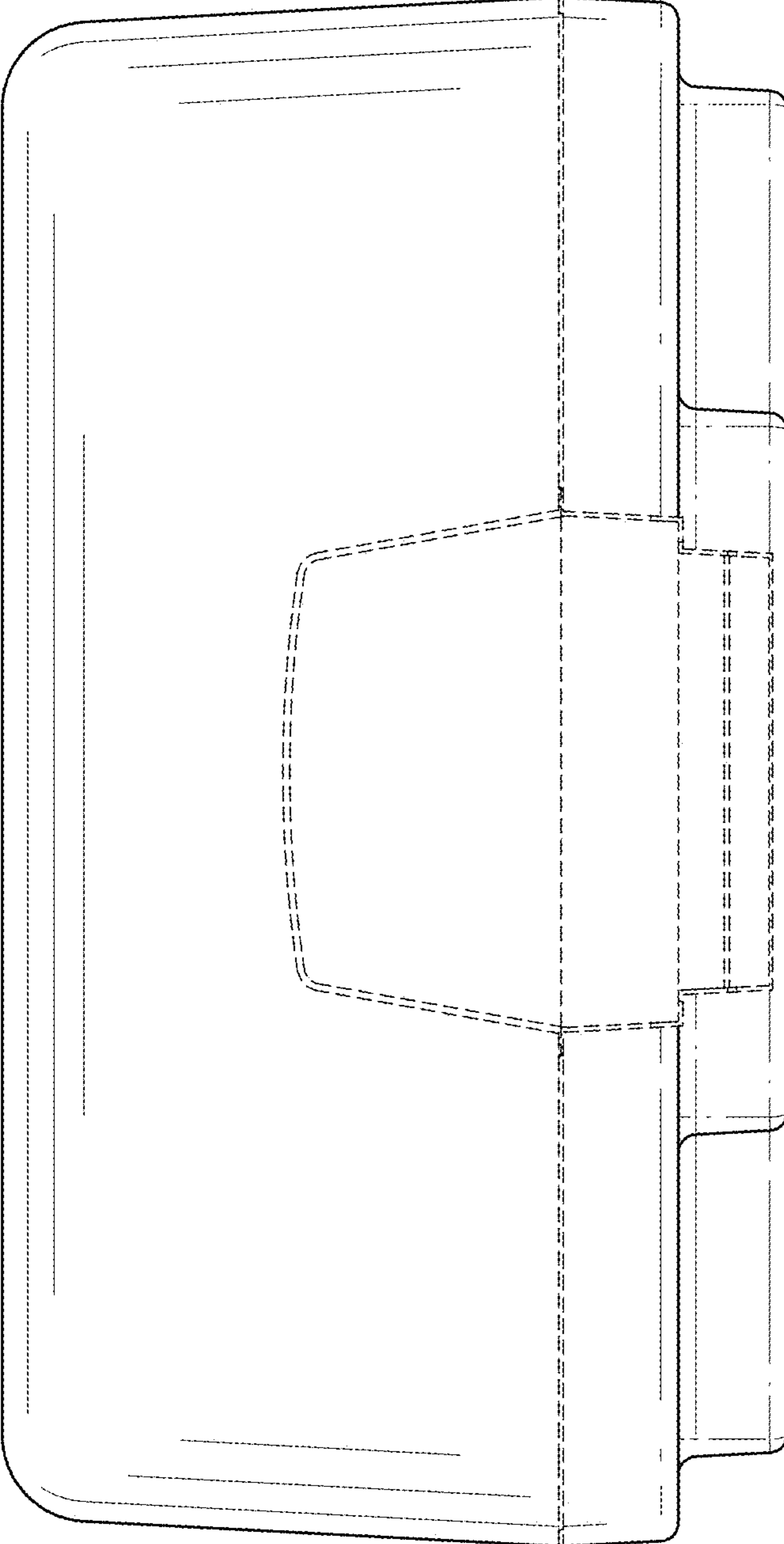


FIG. 2

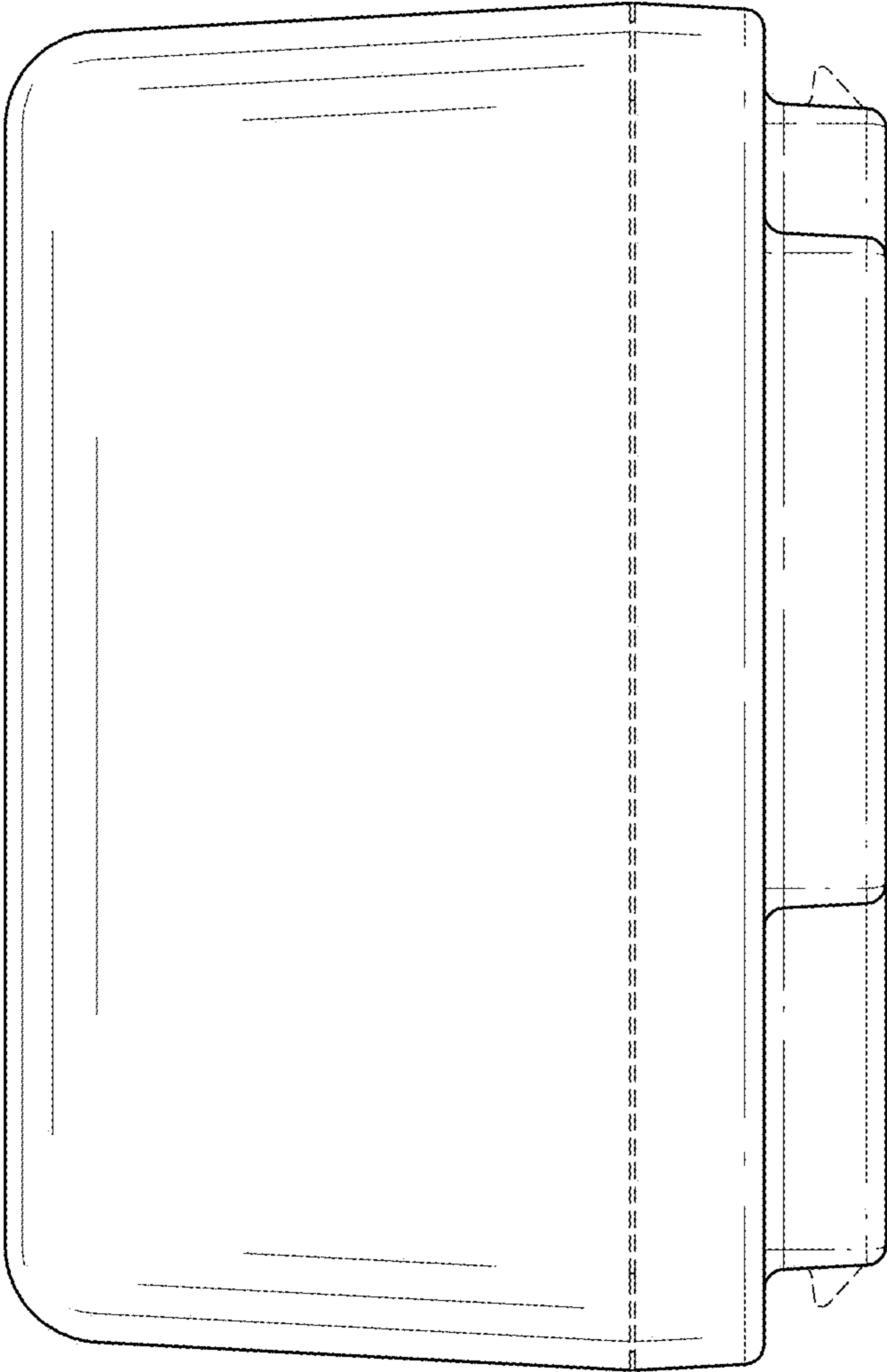


FIG. 3

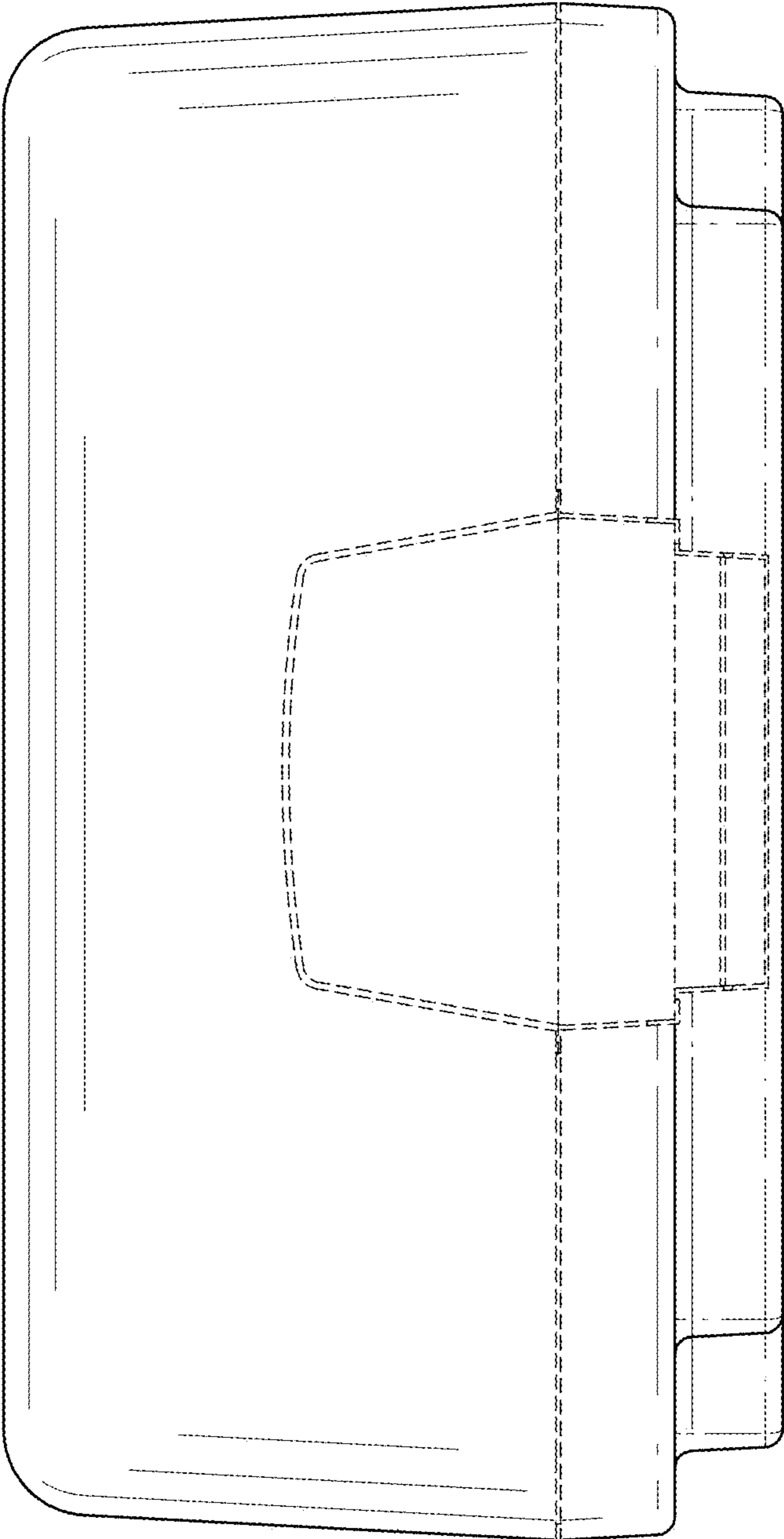


FIG. 4

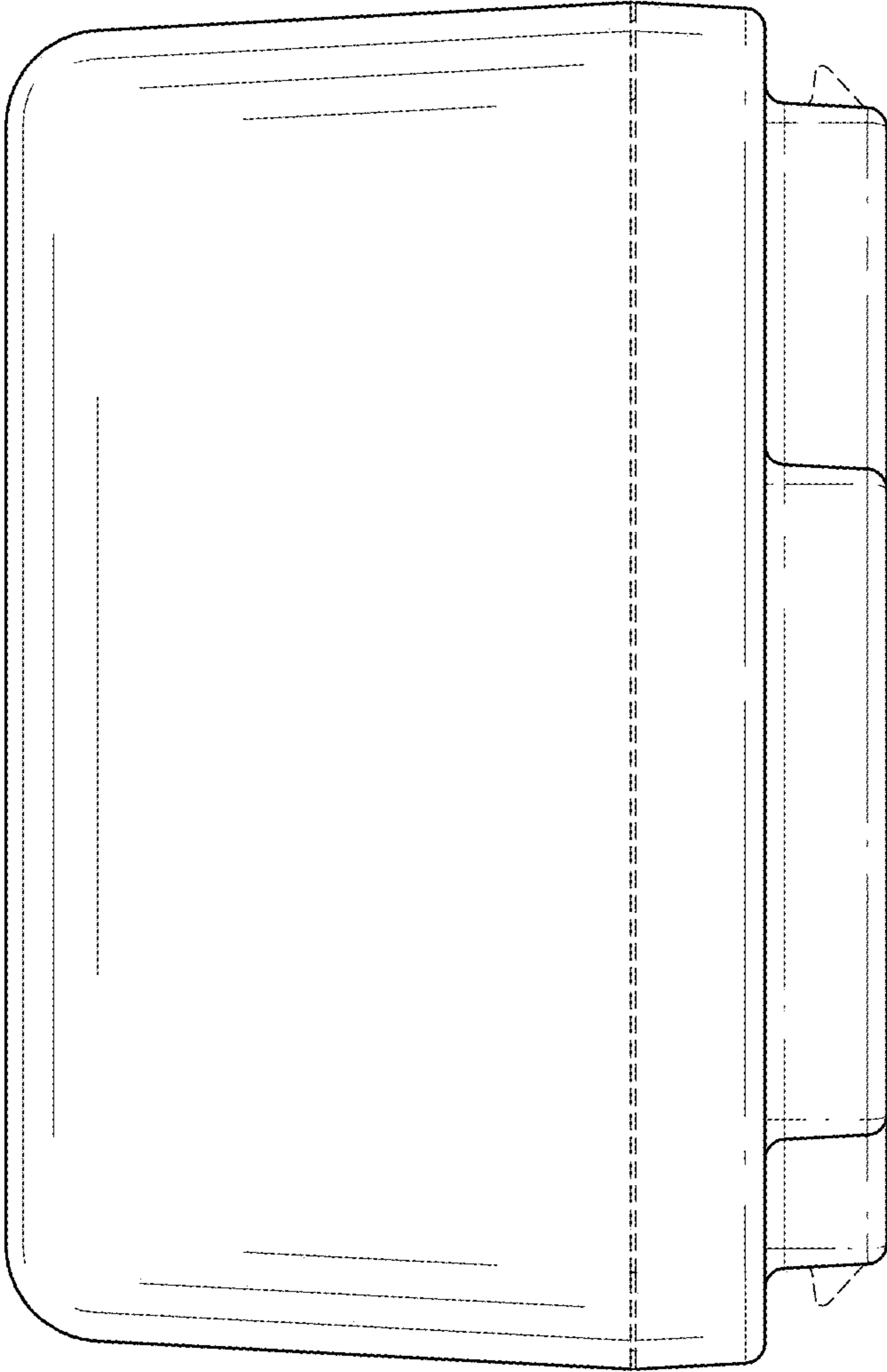


FIG. 5

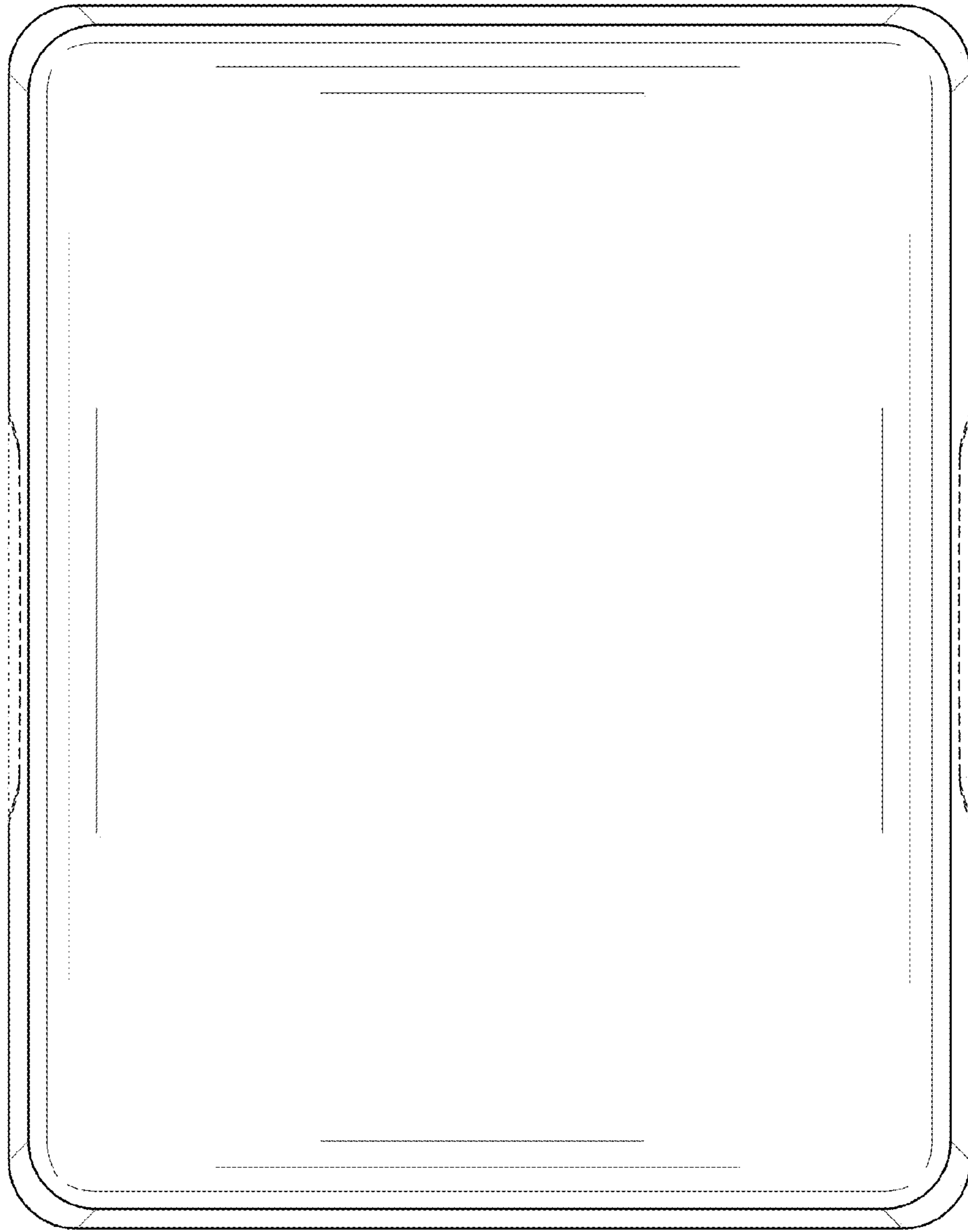


FIG. 6



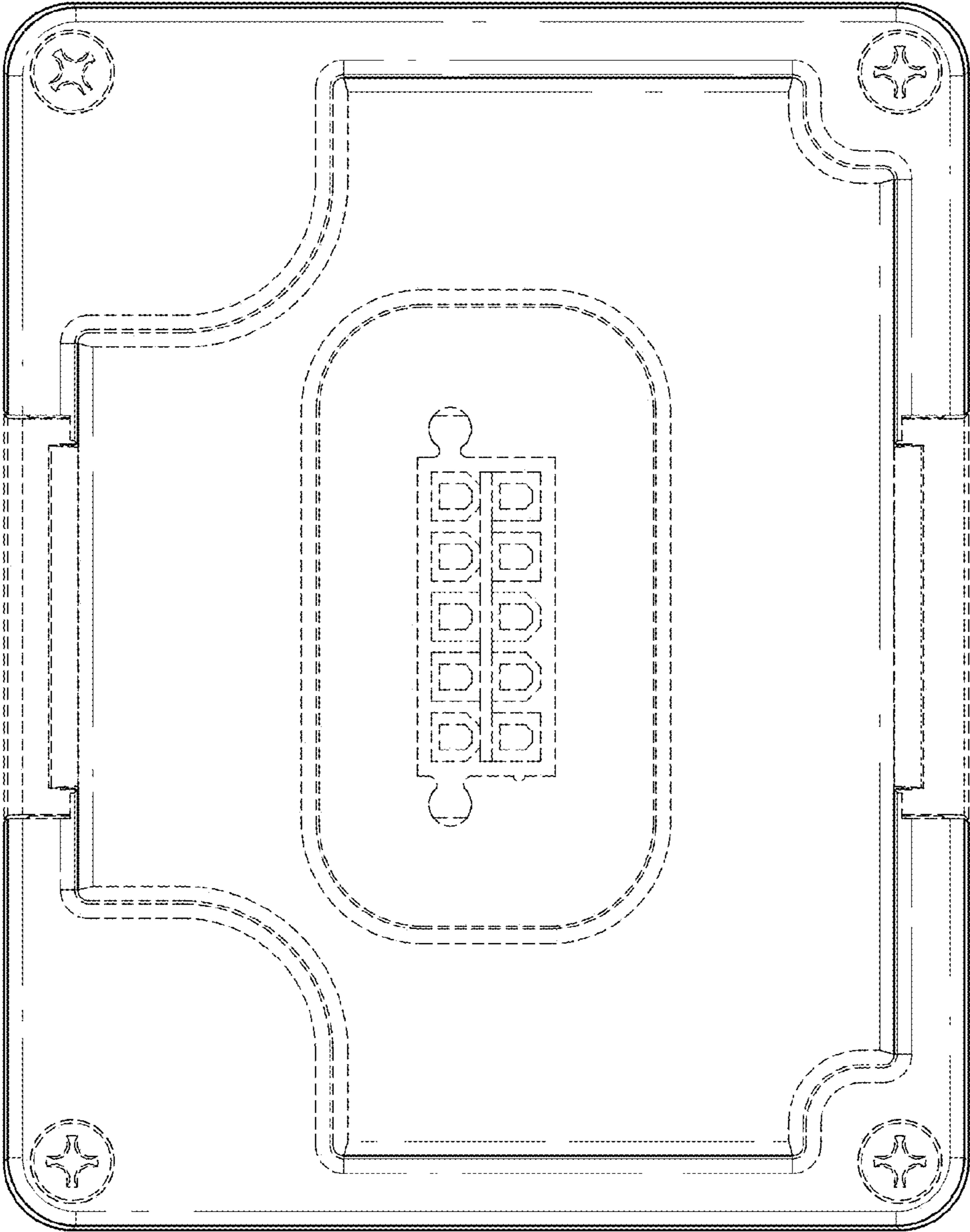


FIG. 7

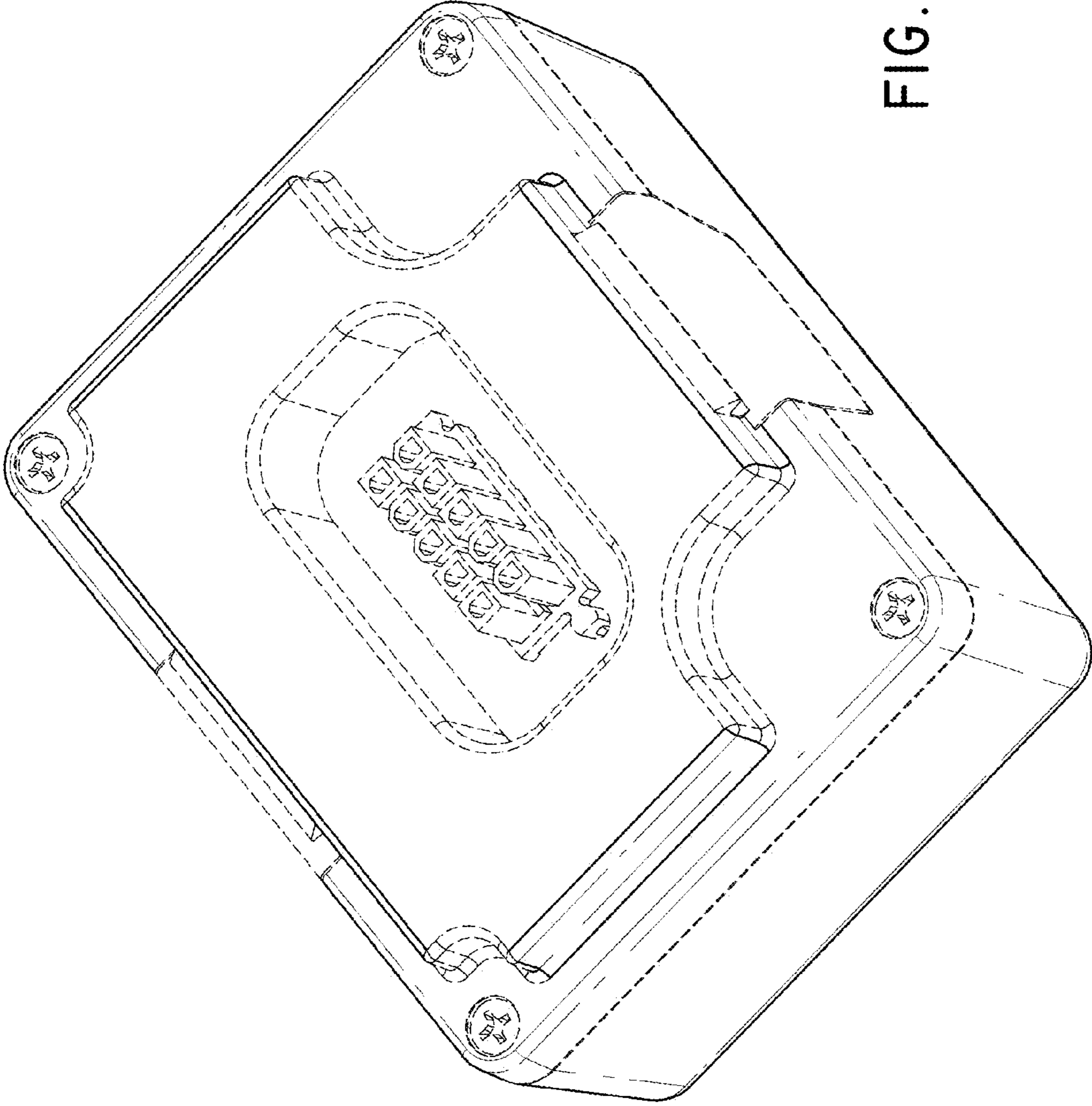


FIG. 8