



US00D699178S

(12) **United States Design Patent**
Ashida et al.

(10) **Patent No.:** **US D699,178 S**

(45) **Date of Patent:** **** Feb. 11, 2014**

(54) **STORAGE BATTERY**

(56) **References Cited**

(71) Applicant: **Nintendo Co., Ltd.**, Kyoto (JP)

U.S. PATENT DOCUMENTS

(72) Inventors: **Kenichiro Ashida**, Kyoto (JP); **Masato Ibuki**, Kyoto (JP); **Shinji Yamamoto**, Kyoto (JP); **Fumiyoshi Suetake**, Kyoto (JP); **Akiko Suga**, Kyoto (JP); **Naoya Yamamoto**, Kyoto (JP); **Hitoshi Tsuchiya**, Kyoto (JP); **Junji Takamoto**, Kyoto (JP); **Yuji Hori**, Kyoto (JP); **Masahiko Nishimura**, Kyoto (JP); **Yositomo Gotou**, Kyoto (JP); **Daisuke Kumazaki**, Kyoto (JP); **Takafumi Nishida**, Kyoto (JP)

| | | | |
|--------------|---------|----------------------|-----------|
| D368,316 S * | 3/1996 | Jansson | D26/39 |
| D404,356 S * | 1/1999 | Higgins et al. | D13/103 |
| D440,201 S * | 4/2001 | Huynh et al. | D13/103 |
| D457,133 S | 5/2002 | Yoneyama | |
| D478,866 S | 8/2003 | Nakai | |
| D555,587 S | 11/2007 | Yamamoto et al. | |
| D570,772 S * | 6/2008 | Mahaffey et al. | D13/110 |
| D601,494 S | 10/2009 | Otani et al. | |
| D601,961 S * | 10/2009 | Mahaffey et al. | D13/123 |
| D615,929 S * | 5/2010 | Maurer et al. | D13/137.4 |
| D623,590 S | 9/2010 | Otani et al. | |
| D645,814 S | 9/2011 | Otani et al. | |
| D662,070 S * | 6/2012 | Loughlin | D13/184 |
| D684,114 S | 6/2013 | Otani et al. | |
| D686,150 S * | 7/2013 | Lee et al. | D13/103 |
| D686,152 S * | 7/2013 | Lee et al. | D13/103 |

(73) Assignee: **Nintendo Co., Ltd.**, Kyoto (JP)

OTHER PUBLICATIONS

(**) Term: **14 Years**

Design U.S. Appl. No. 29/454,917, filed May 15, 2013 (pending).

(21) Appl. No.: **29/454,909**

* cited by examiner

(22) Filed: **May 15, 2013**

Primary Examiner — Rosemary K Tarcza

(74) *Attorney, Agent, or Firm* — Nixon & Vanderhye, P.C.

(30) **Foreign Application Priority Data**

Nov. 16, 2012 (JP) 2012-028120

(51) **LOC (10) Cl.** **13-02**

(52) **U.S. Cl.**
USPC **D13/103**

(58) **Field of Classification Search**
USPC D13/102-104, 110, 118-121, 184, 199;
429/96-100, 163, 176

See application file for complete search history.

(57)

CLAIM

The ornamental design for a storage battery, as shown and described.

DESCRIPTION

FIG. 1 is front, right and top perspective view of a storage battery showing our new design;
FIG. 2 is rear, left and bottom perspective view thereof;
FIG. 3 is a front view thereof;
FIG. 4 is a rear view thereof;
FIG. 5 is a top plan view thereof;
FIG. 6 is a bottom plan view thereof;
FIG. 7 is a left side view thereof; and,
FIG. 8 is a right side view thereof.

1 Claim, 3 Drawing Sheets

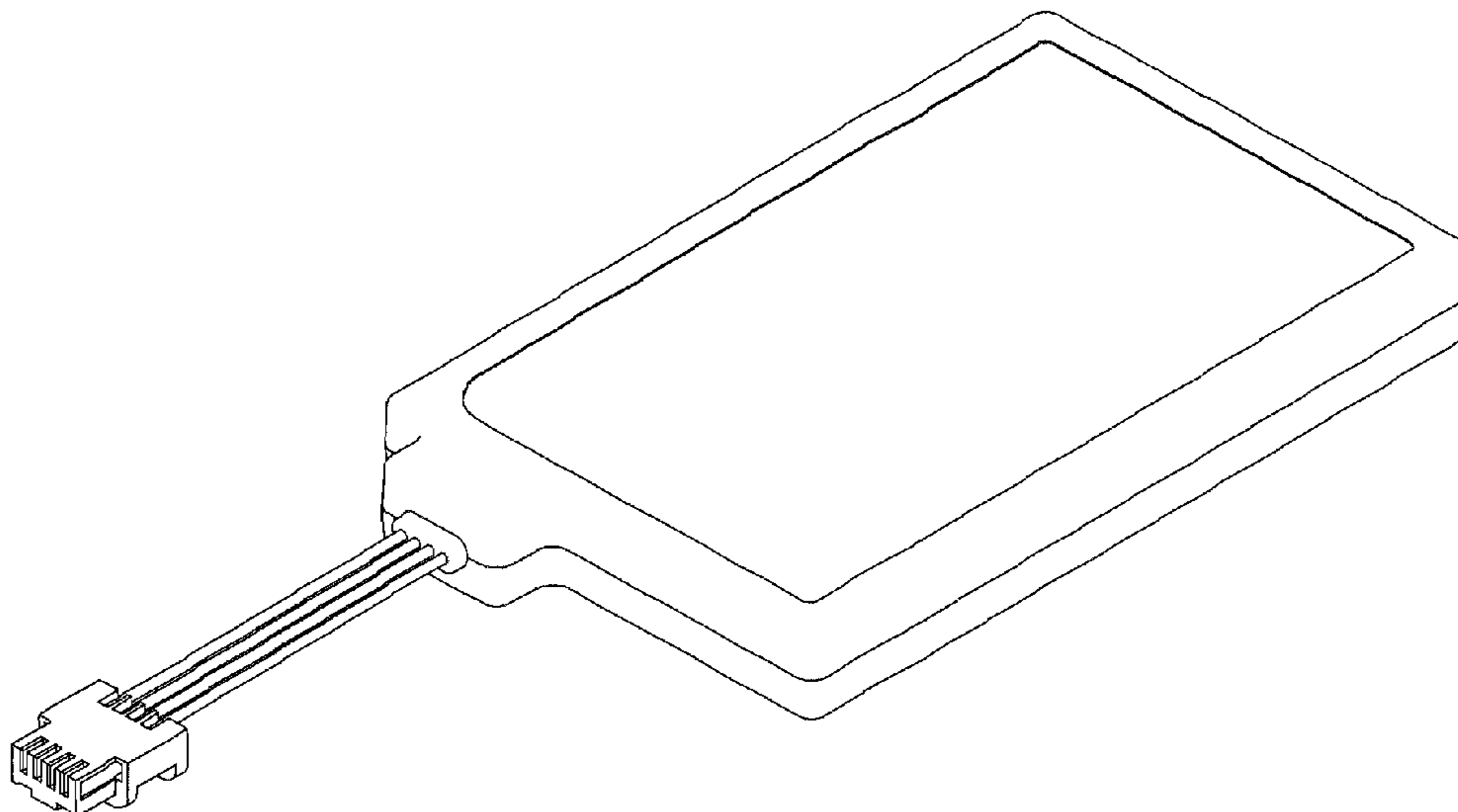


FIG. 1

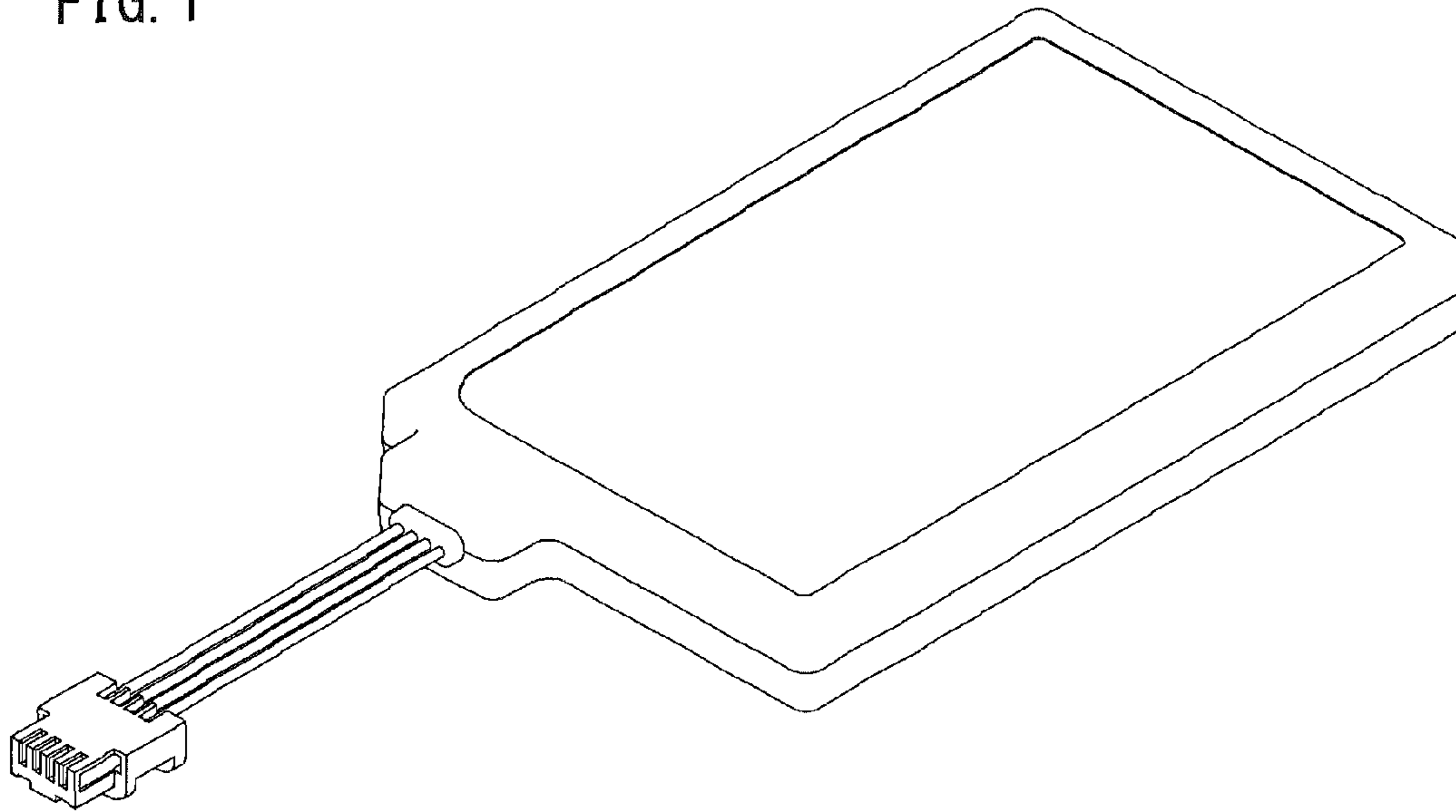


FIG. 2

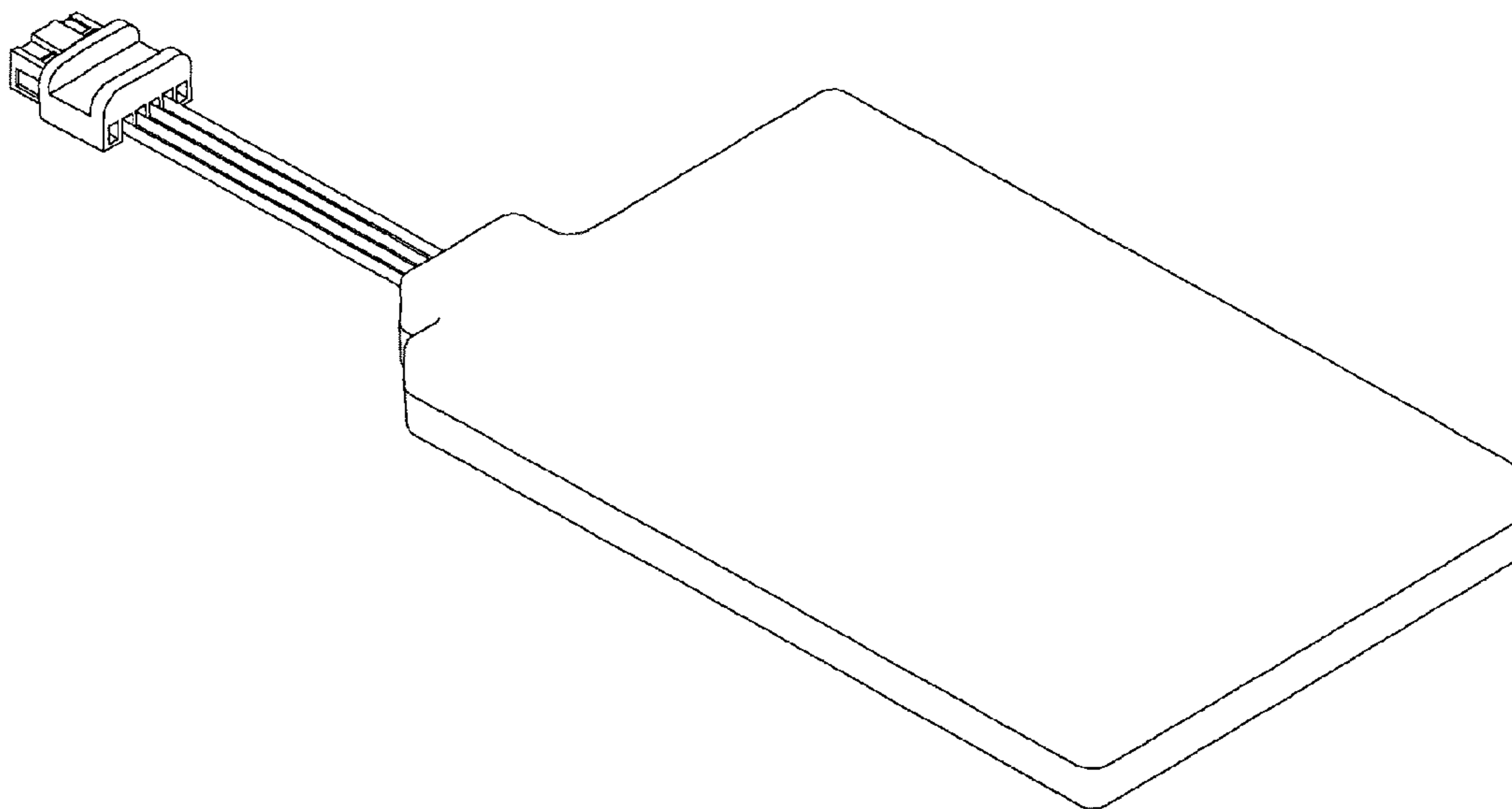


FIG. 3

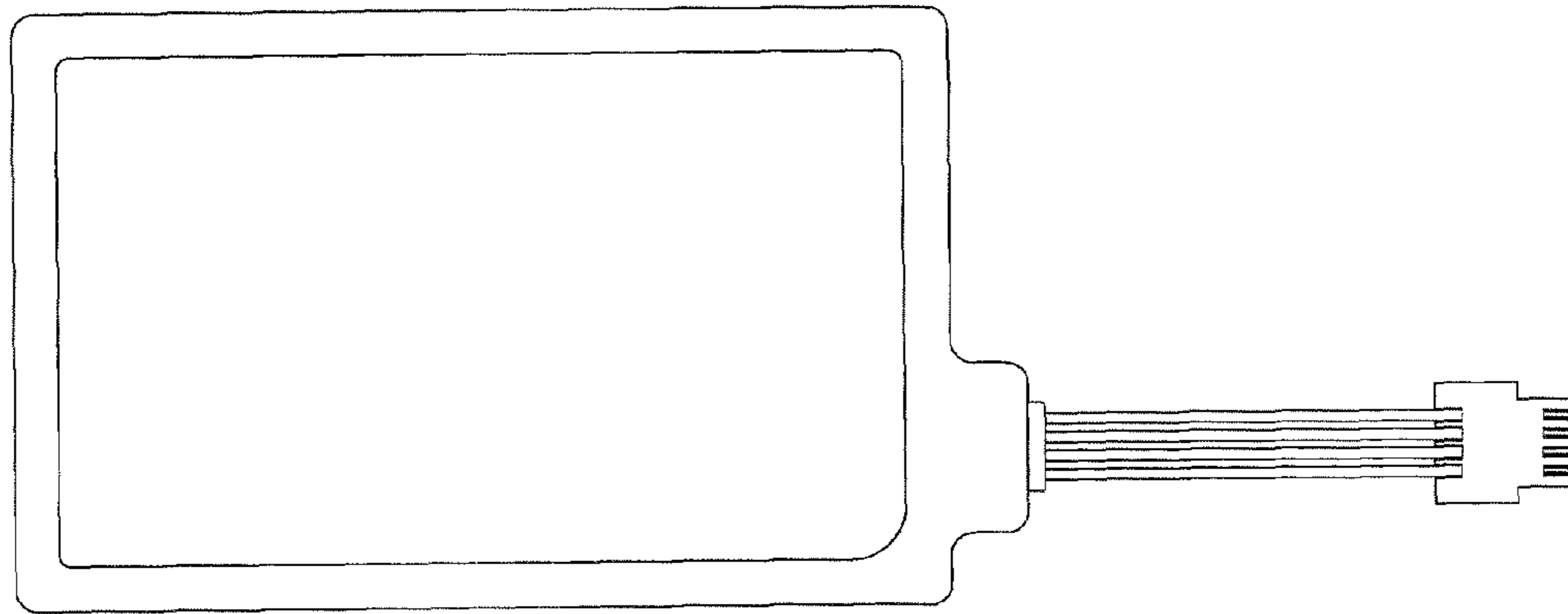


FIG. 4

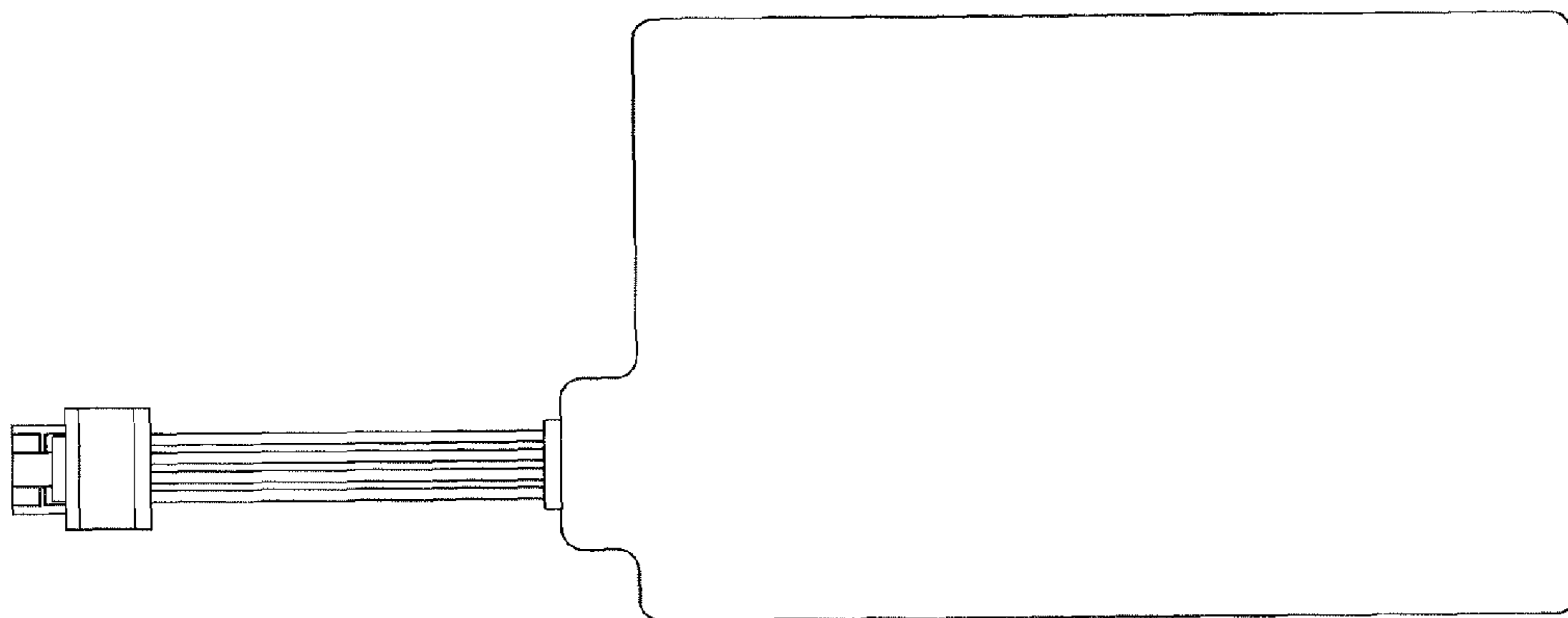


FIG. 5

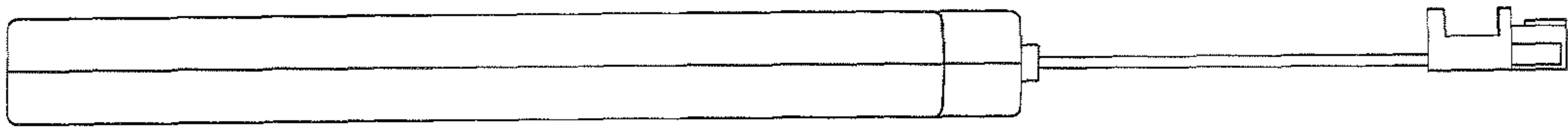


FIG. 6

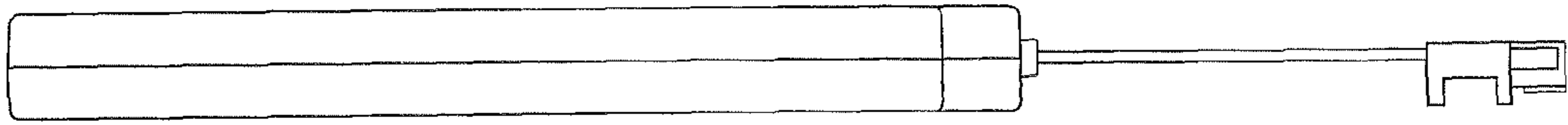


FIG. 7

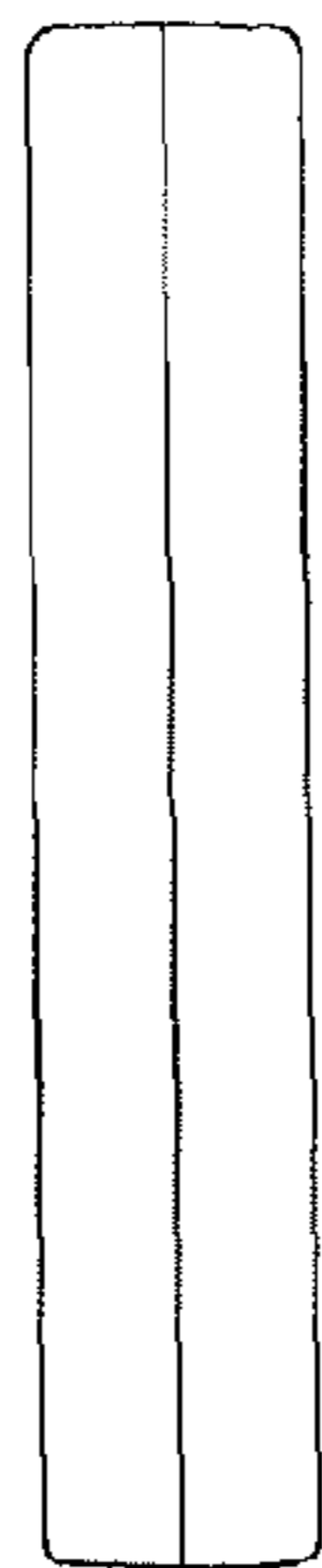


FIG. 8

