



US00D699175S

(12) **United States Design Patent**
Lombard et al.

(10) **Patent No.:** **US D699,175 S**
(45) **Date of Patent:** **** Feb. 11, 2014**

(54) **BOTTLE AND A MOUNTING SUPPORT**

(74) *Attorney, Agent, or Firm* — Ballard Spahr LLP

(71) Applicant: **Penguin Brands, Inc.**, Sharon Hill, PA (US)

(57) **CLAIM**
We claim the ornamental design for a bottle and a mounting support, as shown and described.

(72) Inventors: **Bridgit Lombard**, Philadelphia, PA (US); **Canice Harte**, Park City, UT (US); **Gregory T. Janky**, Sammamish, WA (US); **Treasure L. Hinds**, Seattle, WA (US)

DESCRIPTION

(73) Assignee: **Nathan Sports, Inc.**, Sharon Hill, PA (US)

FIG. 1 is an isometric left side view, from above, of a design of a bottle and a mounting support according to our invention; FIG. 2 is an isometric right side view, from below, of the bottle and mounting support shown in FIG. 1; FIG. 3 is a right side elevational view of the bottle and mounting support shown in FIG. 1, the left side view being shown in FIG. 1; FIG. 4 is a top view of the bottle and mounting support shown in FIG. 1; FIG. 5 is a bottom view of the bottle and mounting support shown in FIG. 1; FIG. 6 is front view of the bottle and mounting support shown in FIG. 1; FIG. 7 is a rear view of the bottle and mounting support shown in FIG. 1; FIG. 8 is an isometric left side view, from above, of a design of a bottle and a mounting support according to our invention; FIG. 9 is an isometric right side view, from below, of the bottle and mounting support shown in FIG. 8; FIG. 10 is a right side elevational view of the bottle and mounting support shown in FIG. 8, the left side view being shown in FIG. 8; FIG. 11 is a top view of the bottle and mounting support shown in FIG. 8; FIG. 12 is a bottom view of the bottle and mounting support shown in FIG. 8; FIG. 13 is front view of the bottle and mounting support shown in FIG. 8; and, FIG. 14 is a rear view of the bottle and mounting support shown in FIG. 8. The broken lines shown in FIGS. 8, 10, 11, 13, and 14 are for illustrative purposes only and form no part of the claimed design.

(**) Term: **14 Years**

(21) Appl. No.: **29/433,522**

(22) Filed: **Oct. 1, 2012**

(51) **LOC (10) Cl.** **12-11**

(52) **U.S. Cl.**
USPC **D12/420**

(58) **Field of Classification Search**
USPC D12/411, 223, 420; D9/516, 517, 526, D9/530, 540, 571; 220/600, 660, 669, 675; 224/414, 419-421, 425, 426, 441, 443, 224/448, 451, 536, 926; 280/288.4; D8/349, 354, 380, 387, 394
See application file for complete search history.

(56) **References Cited**

U.S. PATENT DOCUMENTS

4,176,770 A 12/1979 Griggs
5,158,218 A 10/1992 Wery

(Continued)

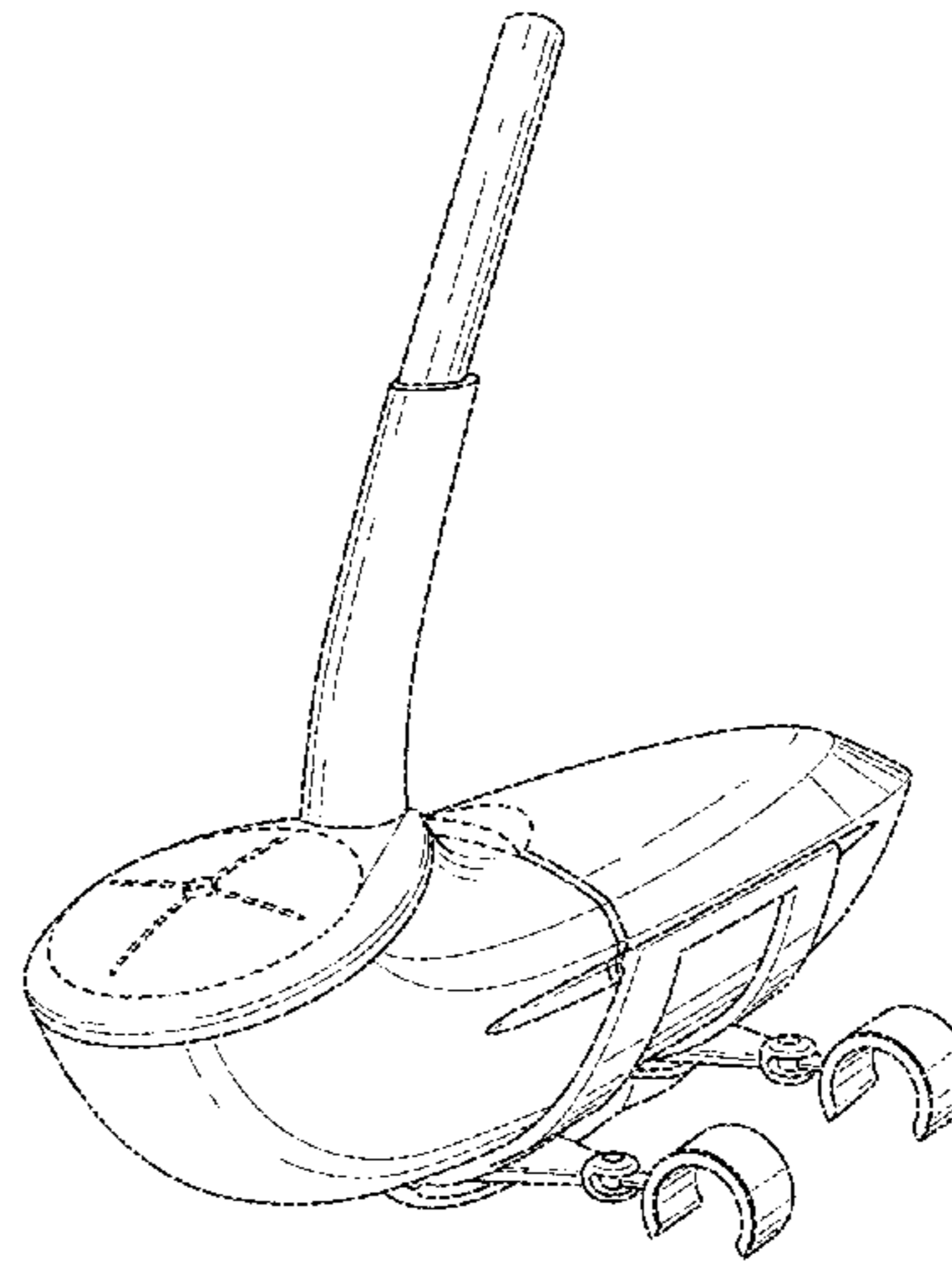
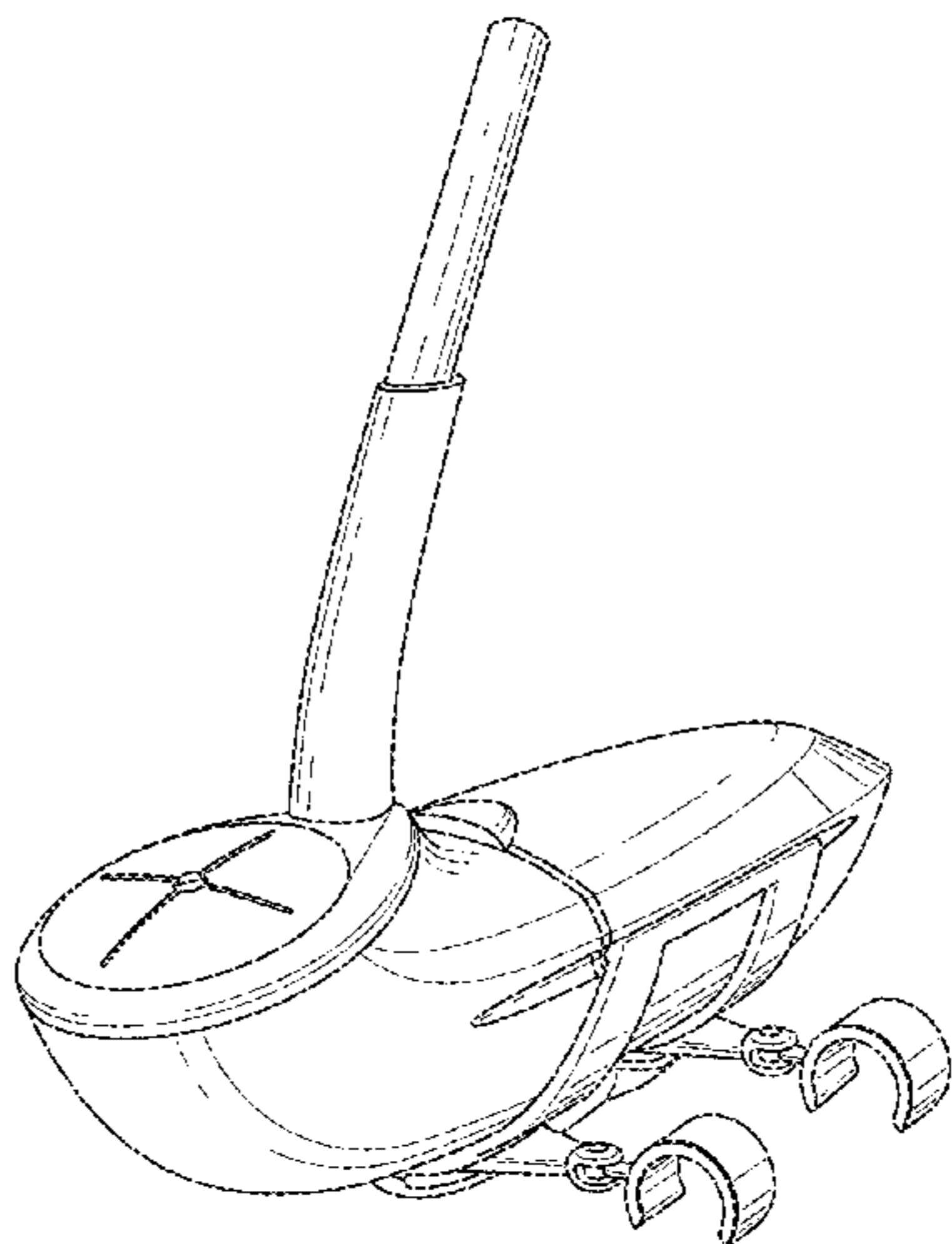
FOREIGN PATENT DOCUMENTS

DE 29819732 U1 4/1999

Primary Examiner — Susan E Krakower

Assistant Examiner — Linda Brooks

1 Claim, 6 Drawing Sheets



(56)

References Cited

U.S. PATENT DOCUMENTS

D350,873 S 9/1994 Duffy
5,803,328 A 9/1998 Nakahara
6,145,695 A 11/2000 Garrigues
6,953,135 B2 10/2005 Litton
D638,299 S 5/2011 Bernstein
D640,345 S 6/2011 Corsello

2007/0012740 A1 1/2007 Montgomery
2007/0068985 A1 3/2007 Nakahara
2008/0053266 A1 3/2008 Smolik
2010/0170925 A1* 7/2010 Osten et al. 224/414
2010/0257973 A1 10/2010 White
2011/0042435 A1* 2/2011 Weng et al. 224/414
2011/0272403 A1 11/2011 Corsello
2012/0037677 A1 2/2012 Valiquette
2012/0104063 A1 5/2012 Sweigart

* cited by examiner

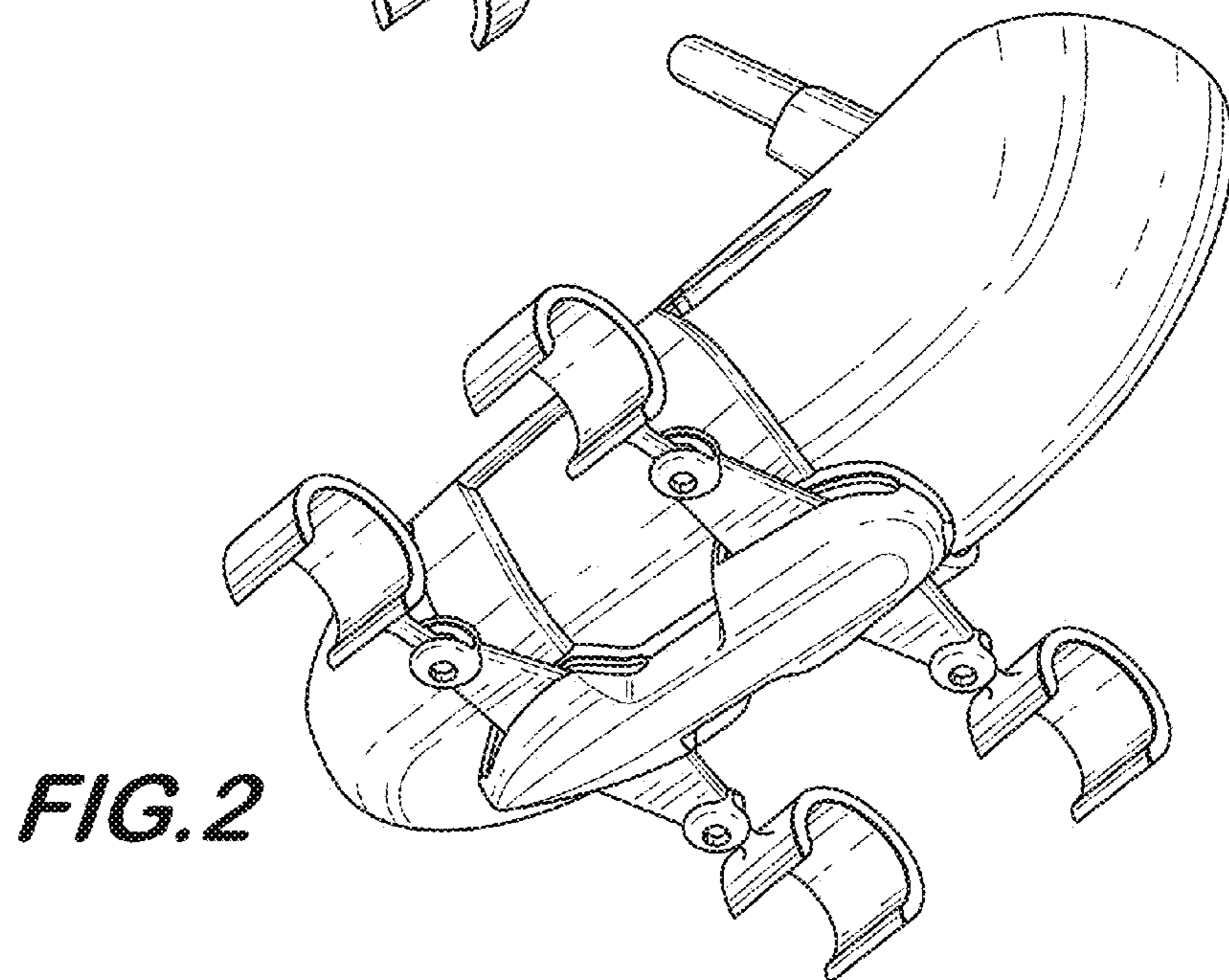
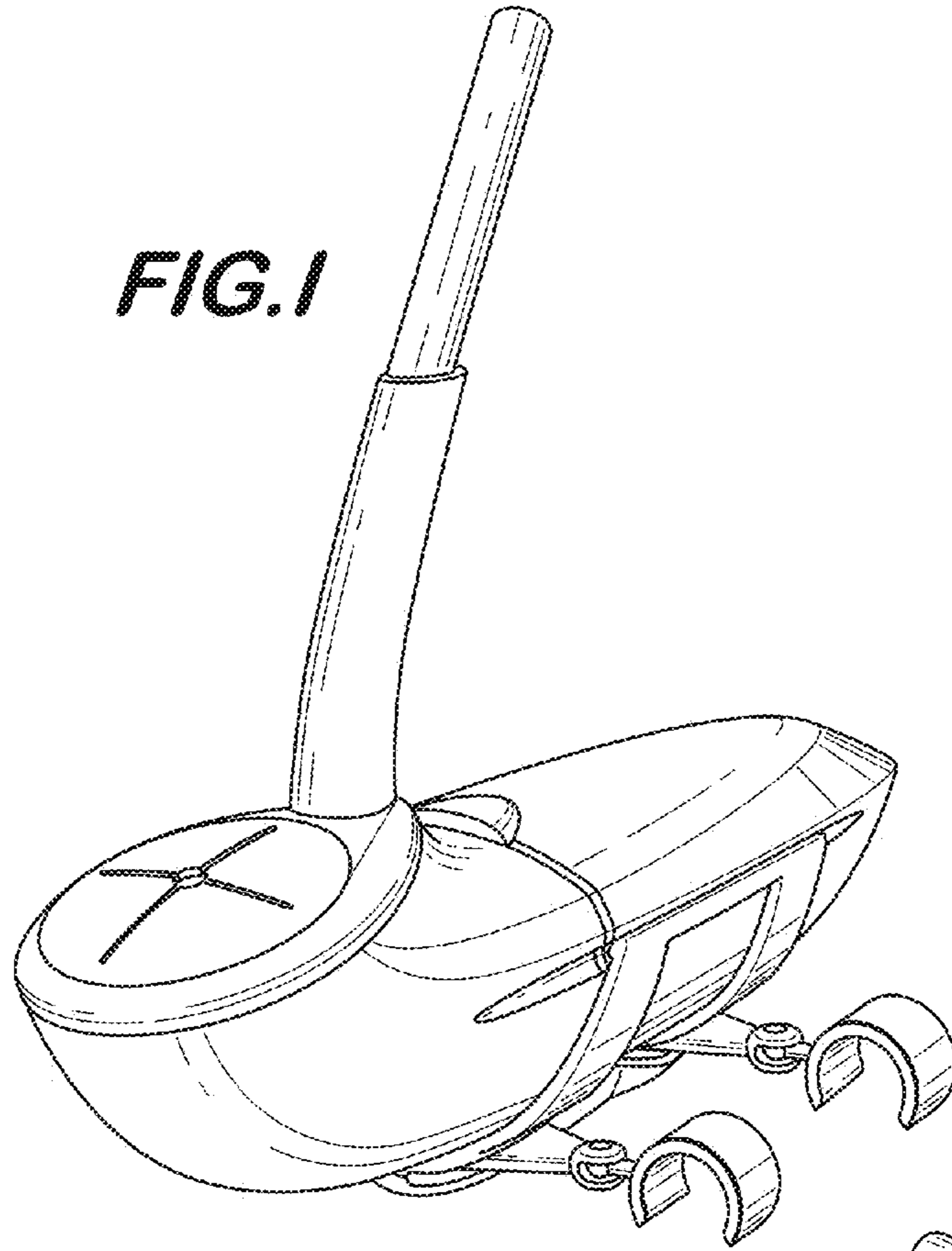


FIG. 3

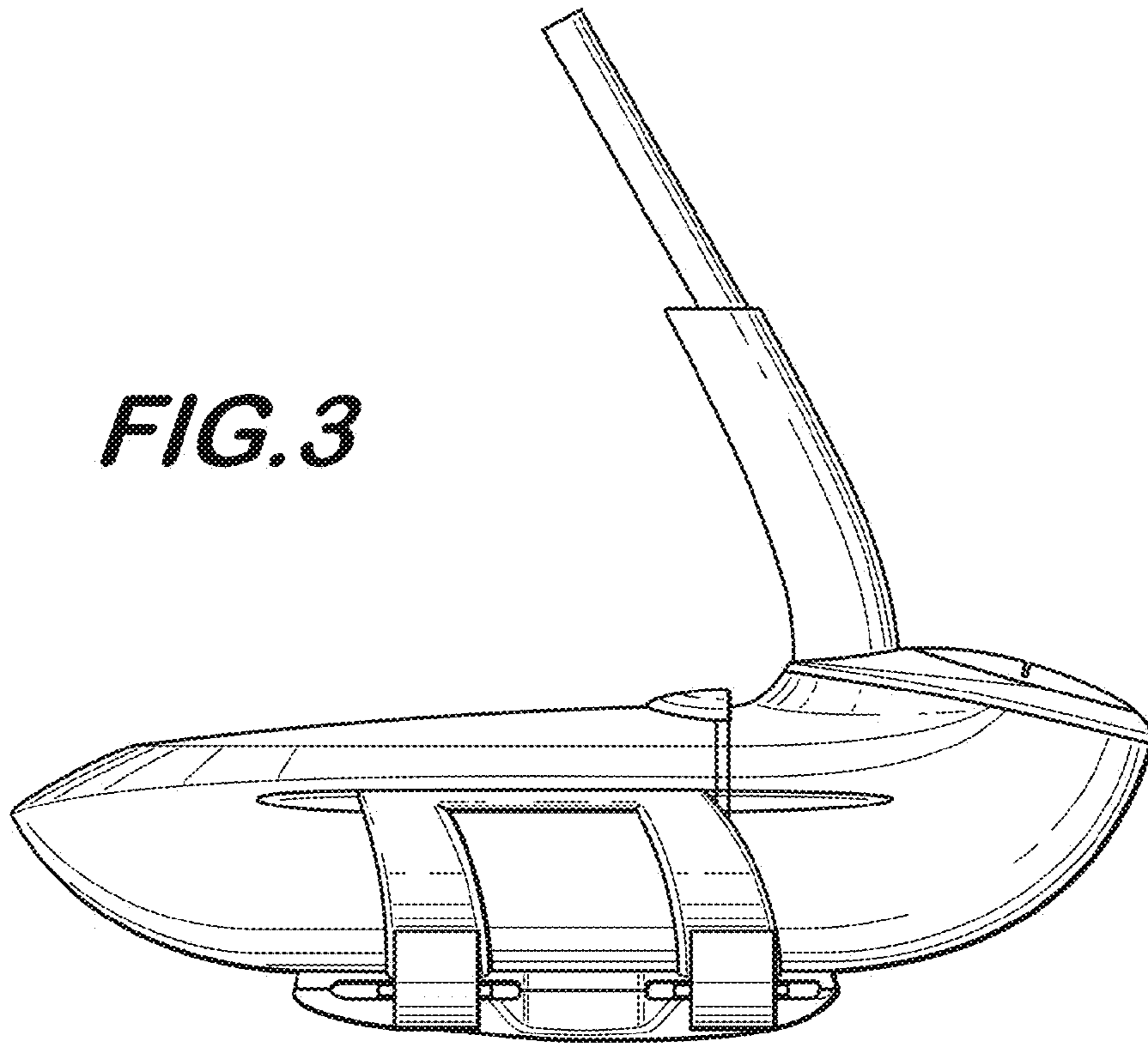


FIG. 4

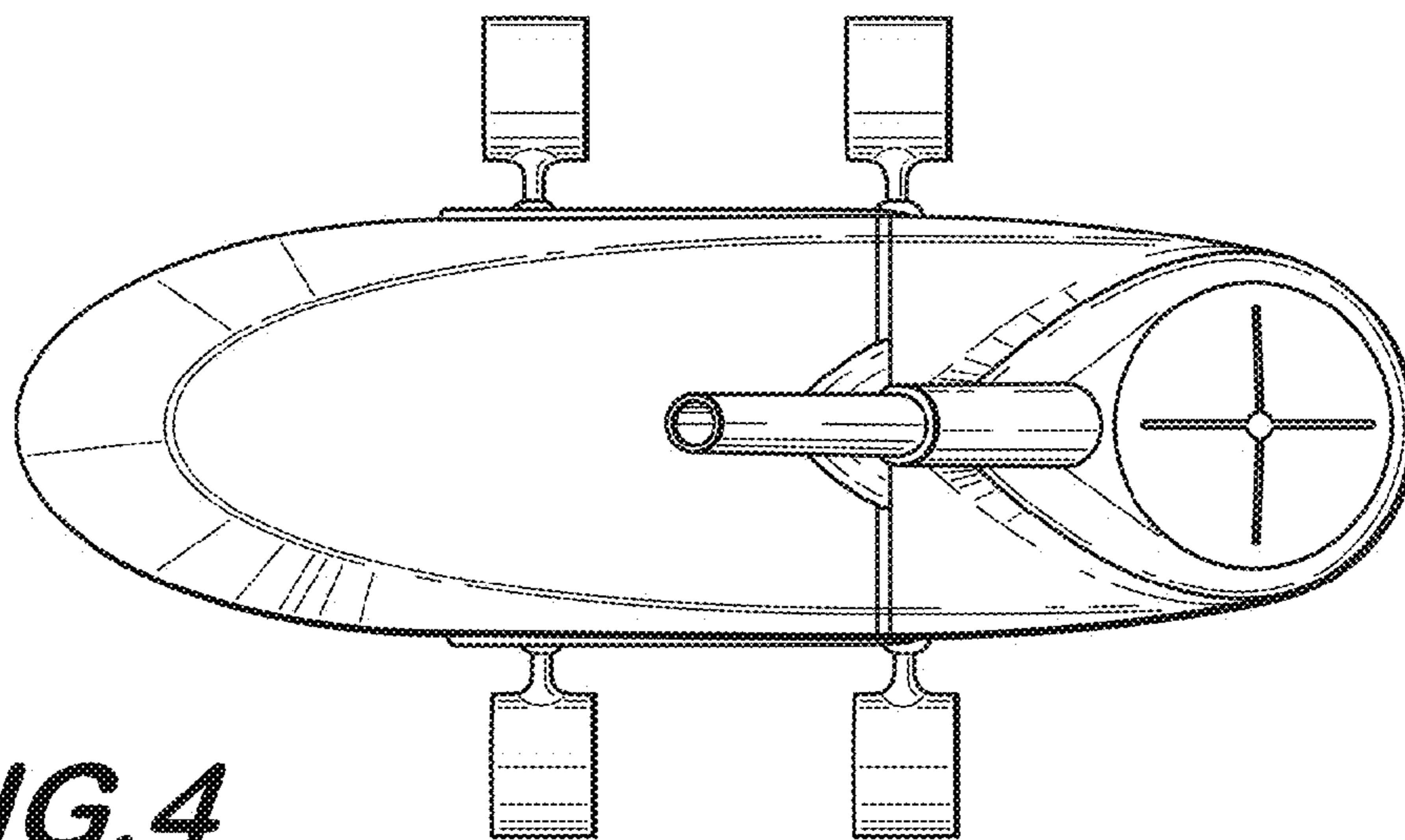


FIG. 5

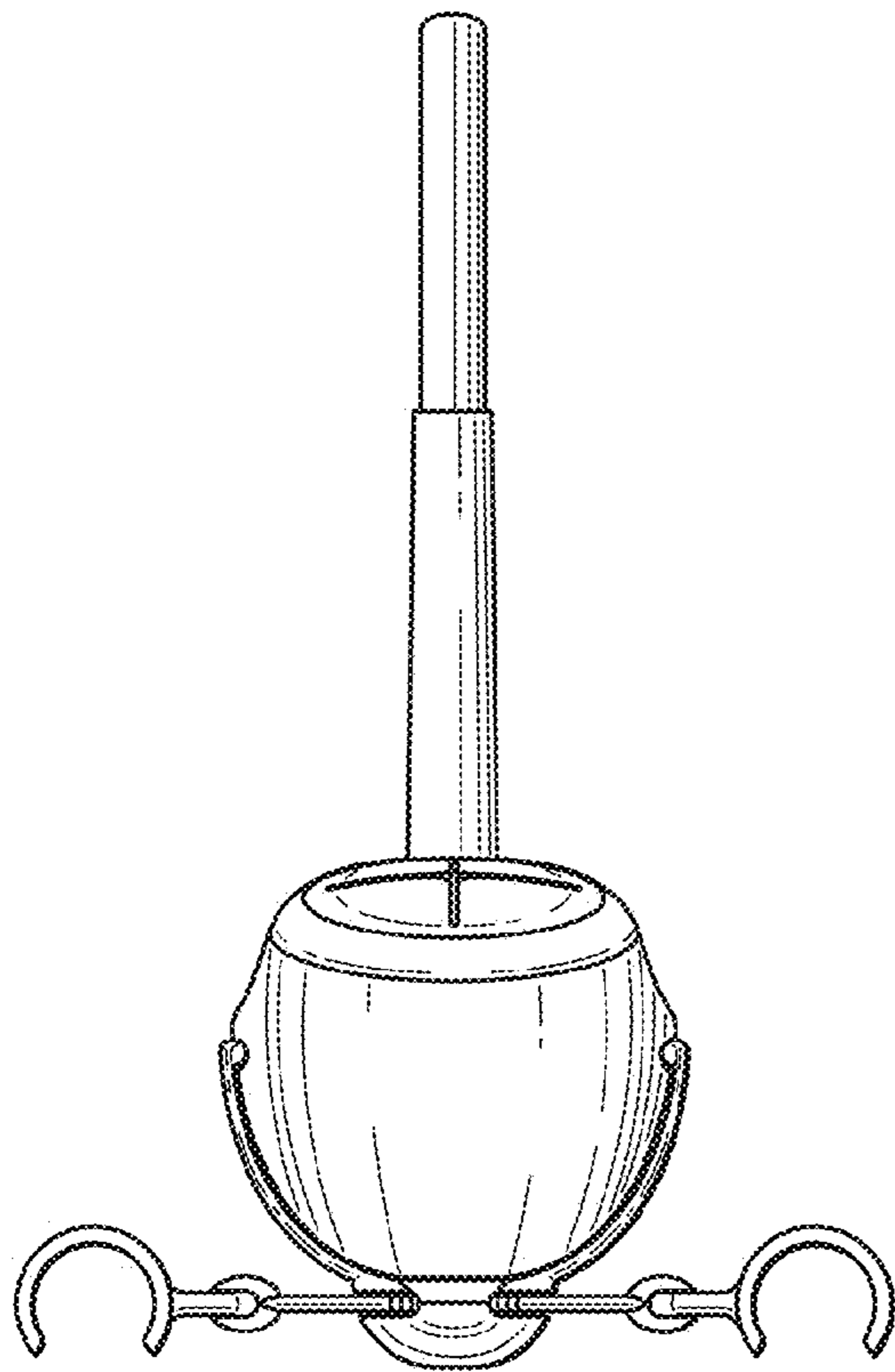
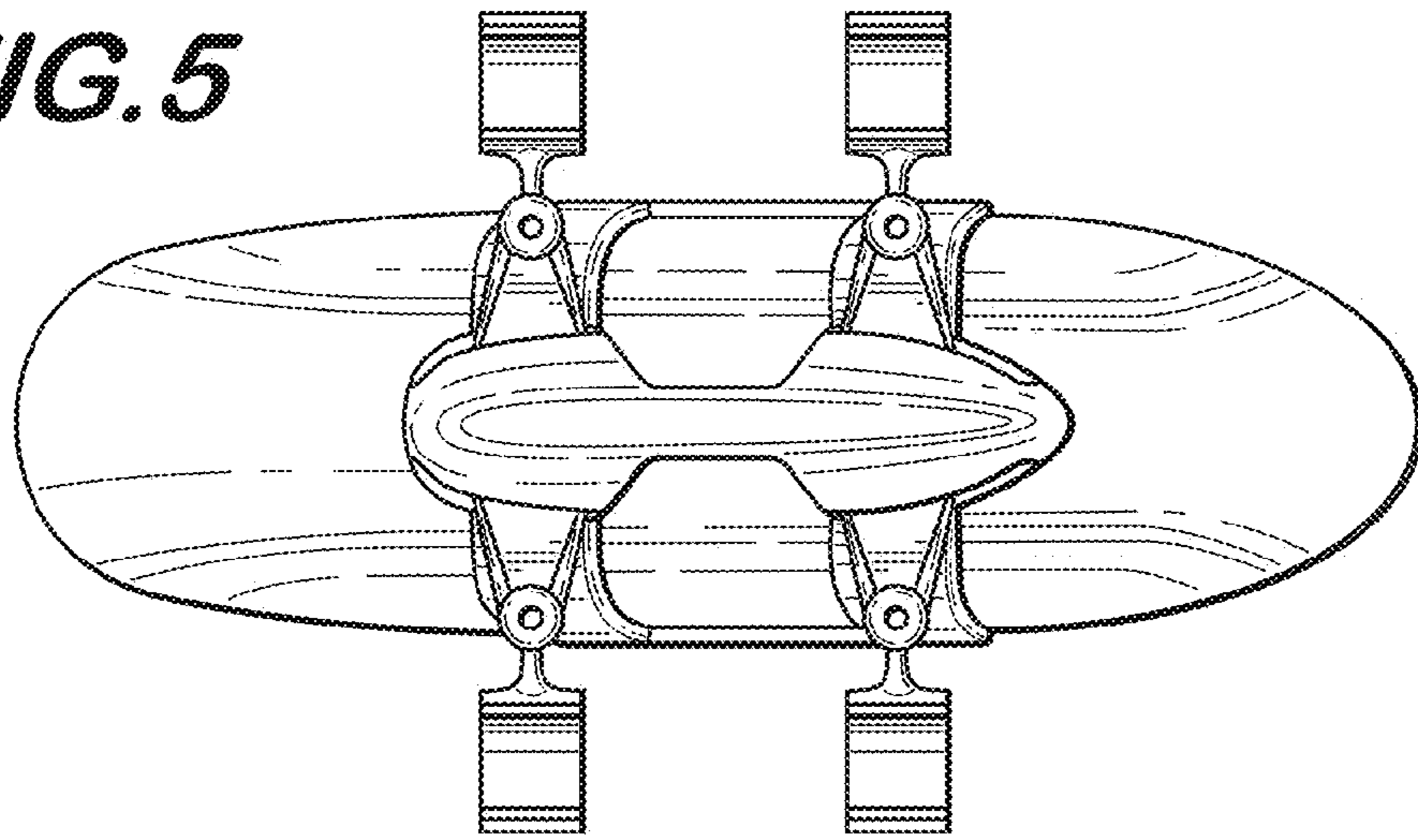


FIG. 6

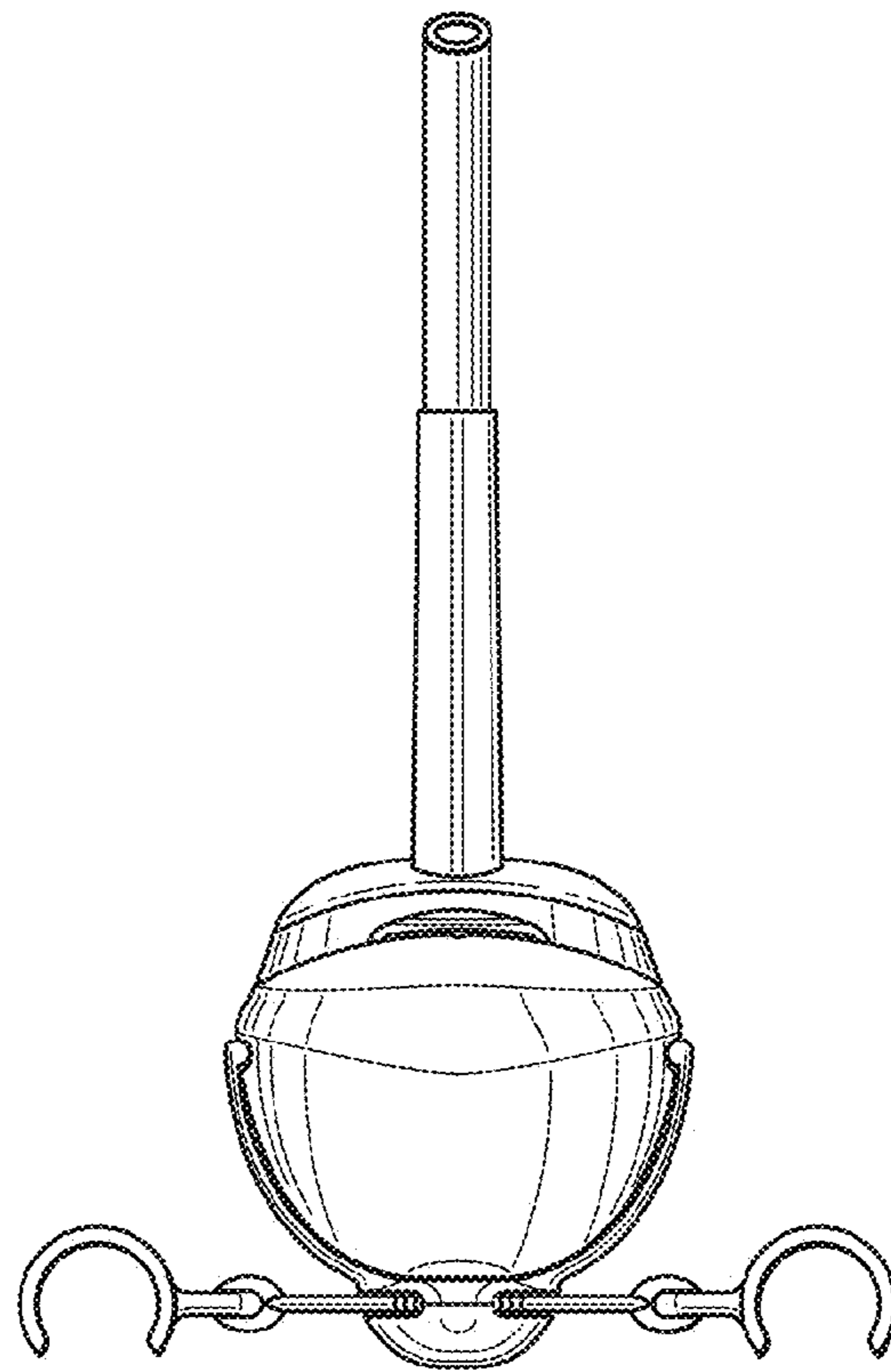
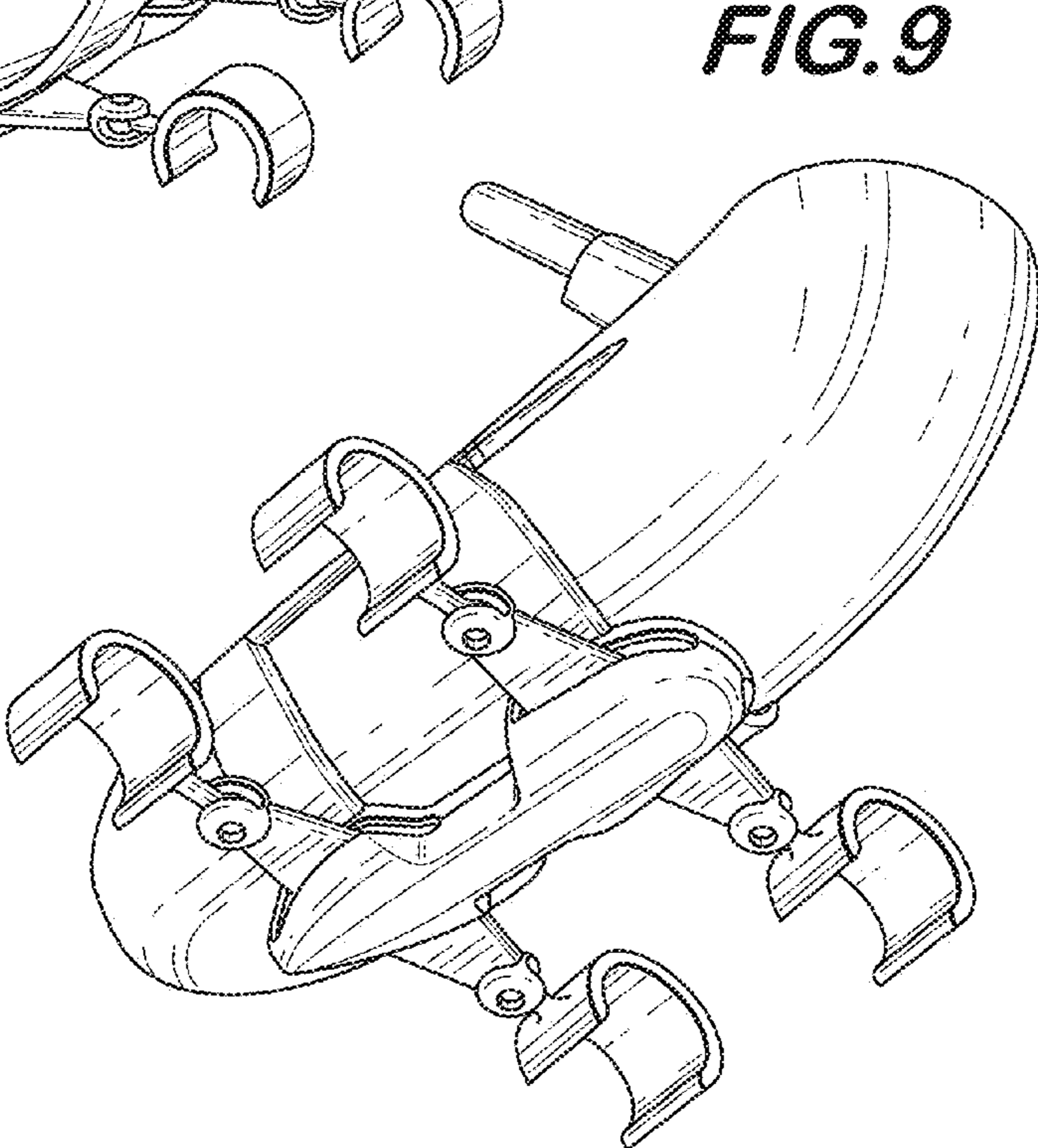
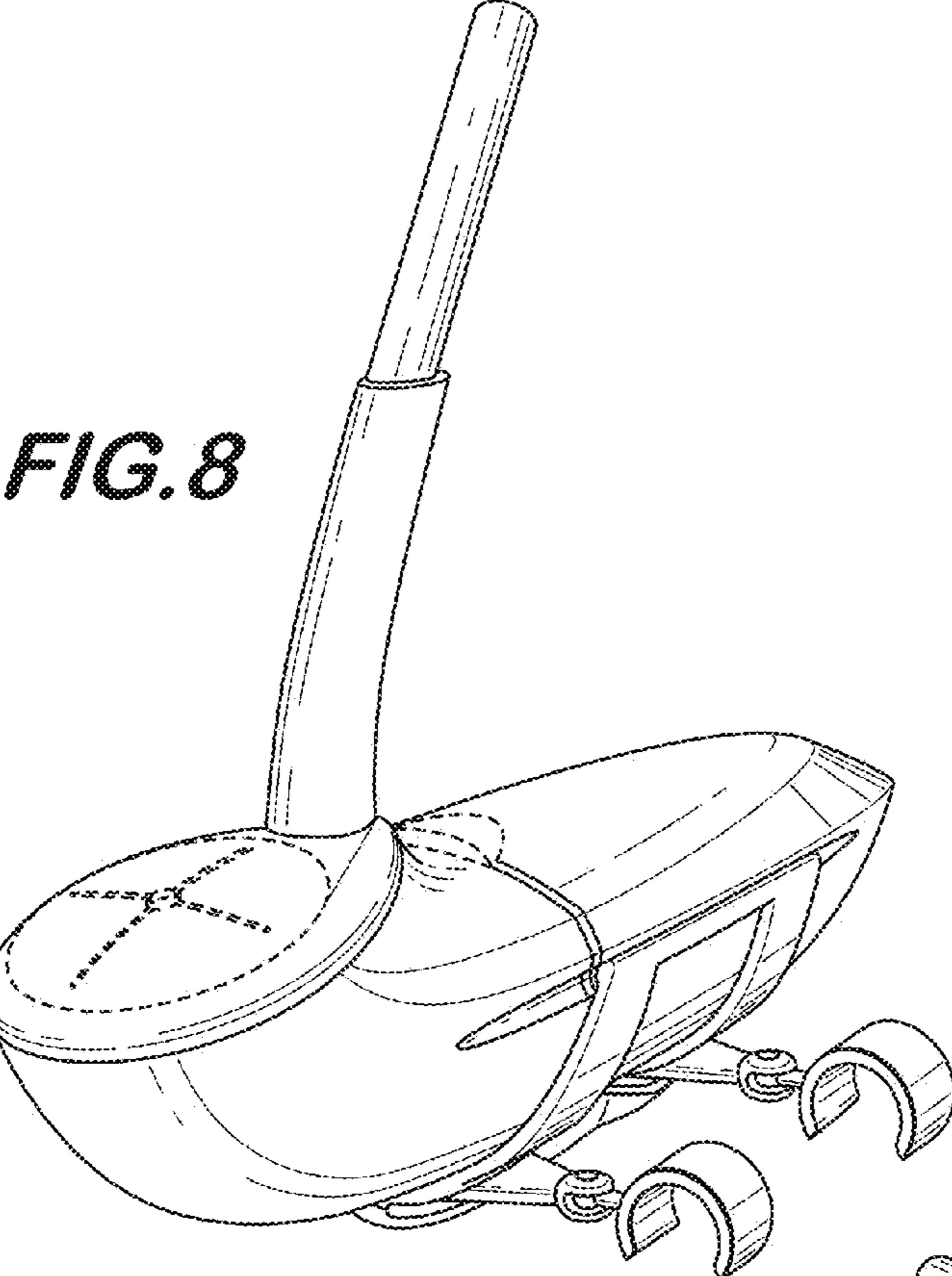


FIG. 7



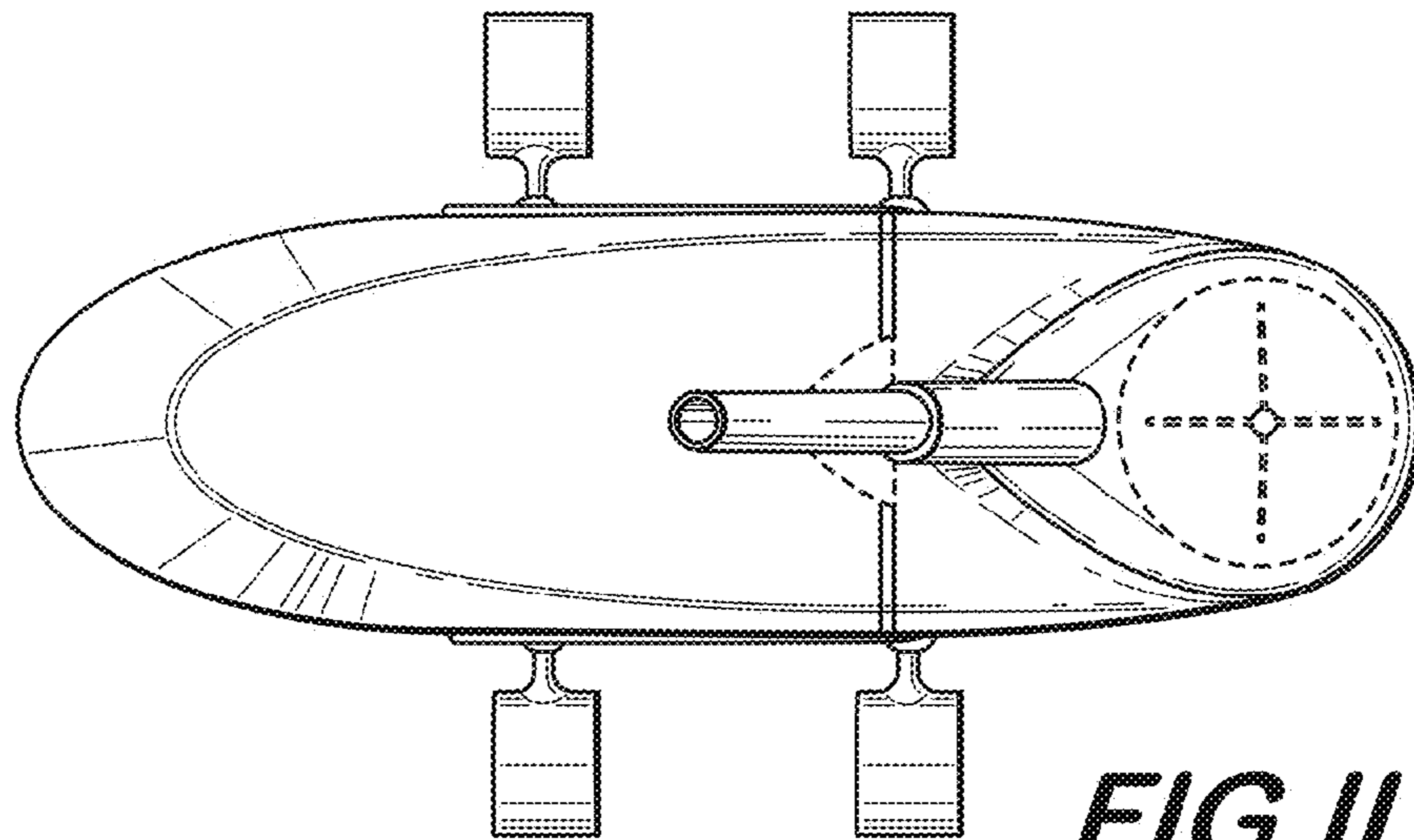
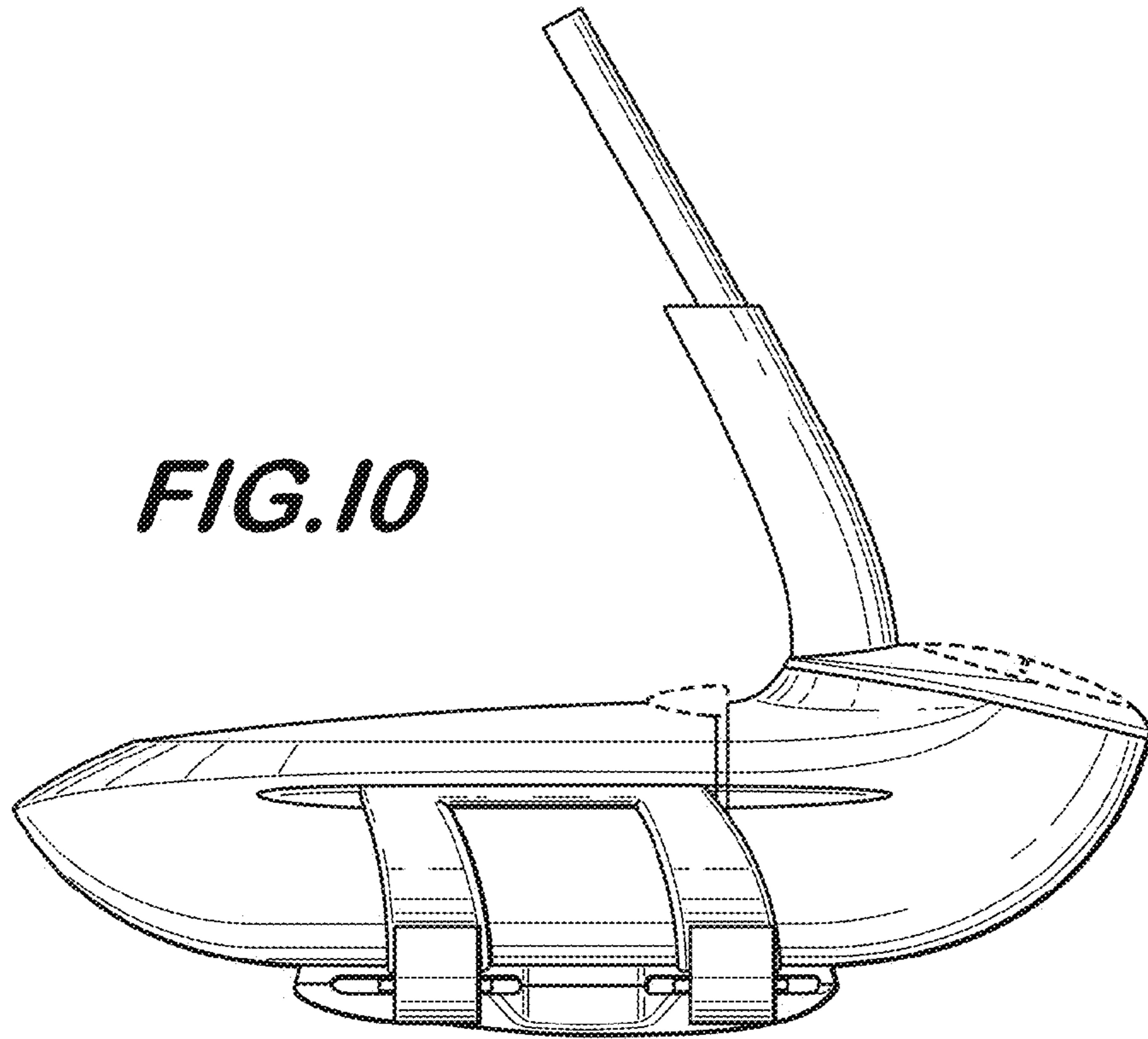


FIG.12

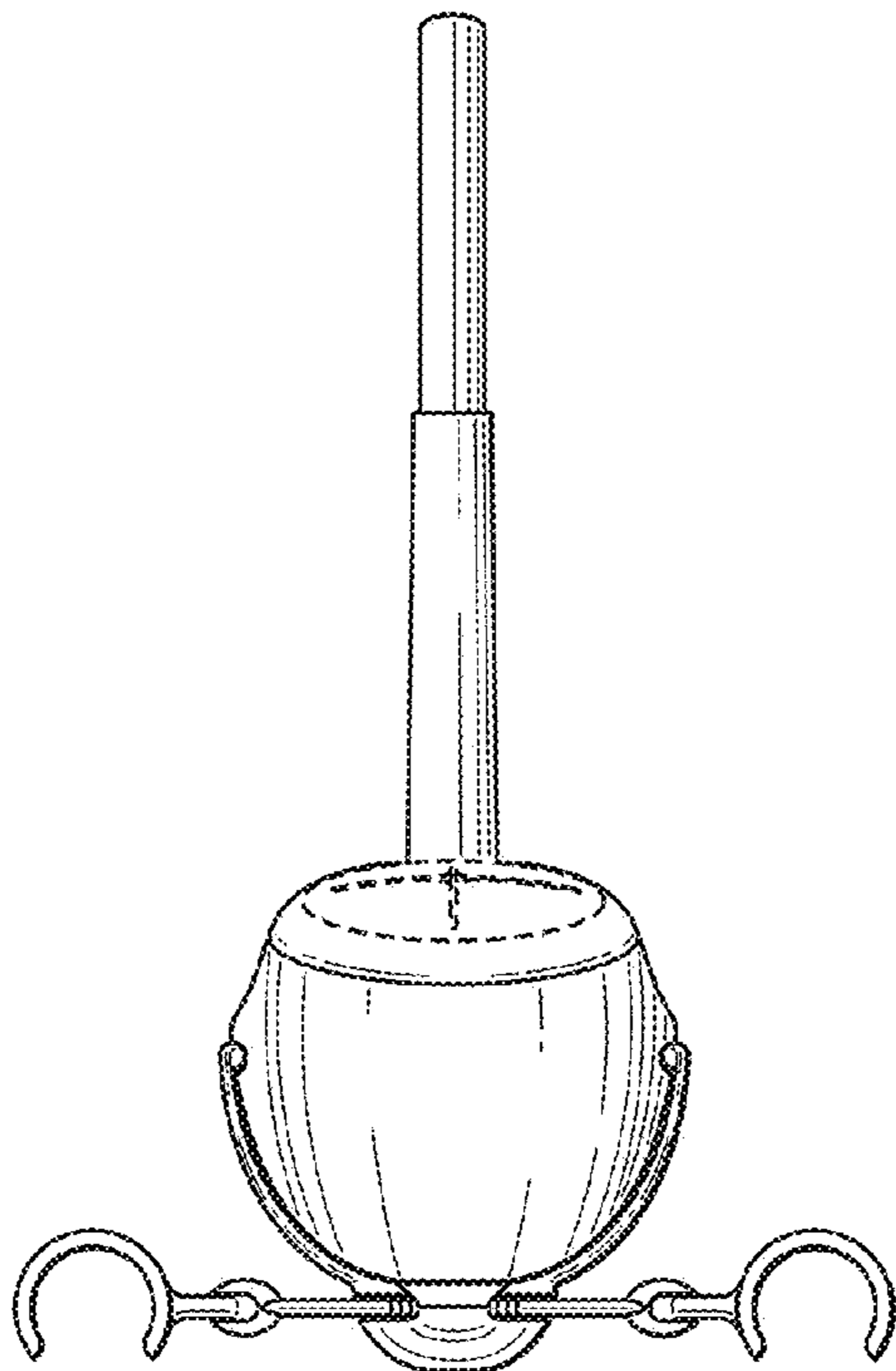
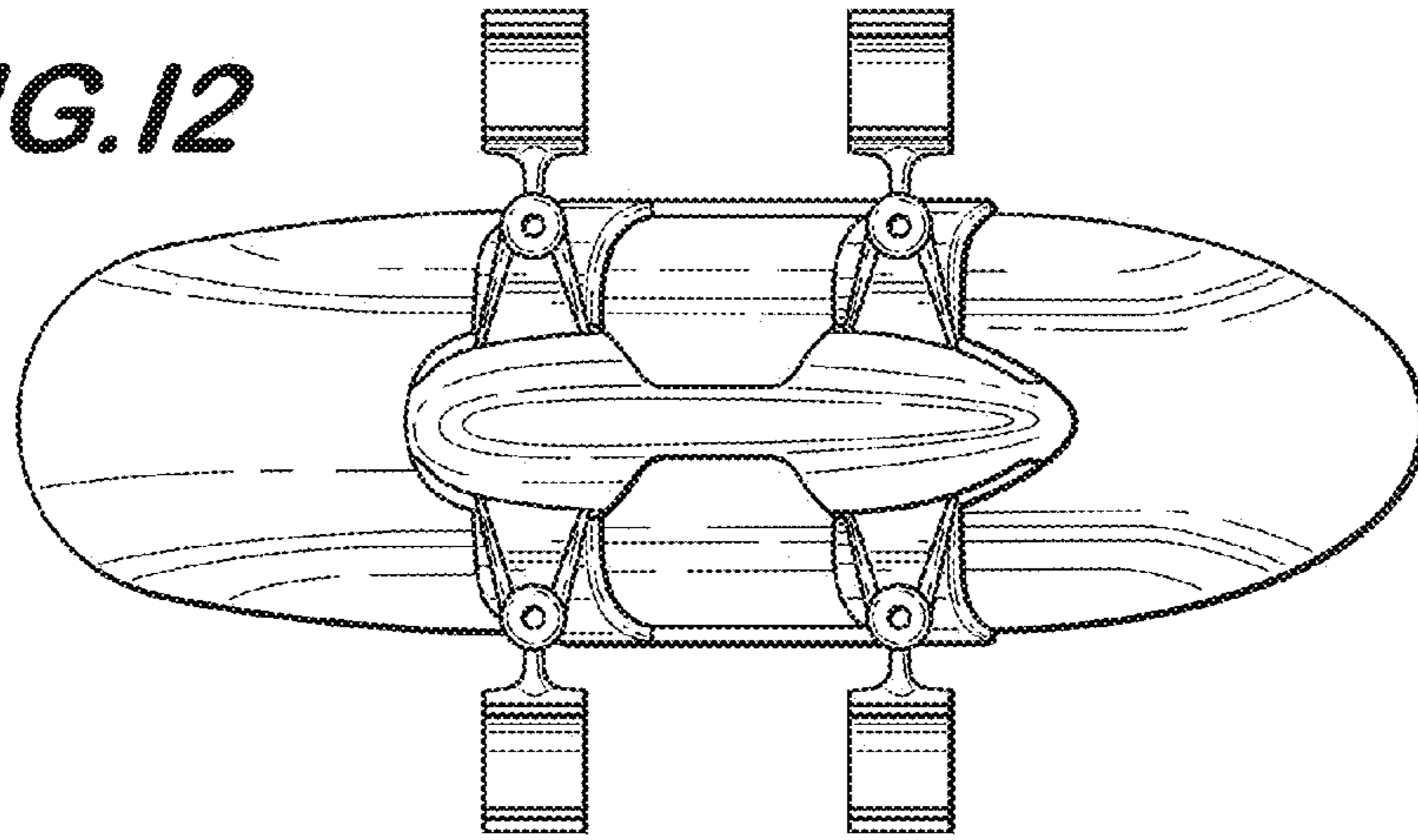


FIG.13

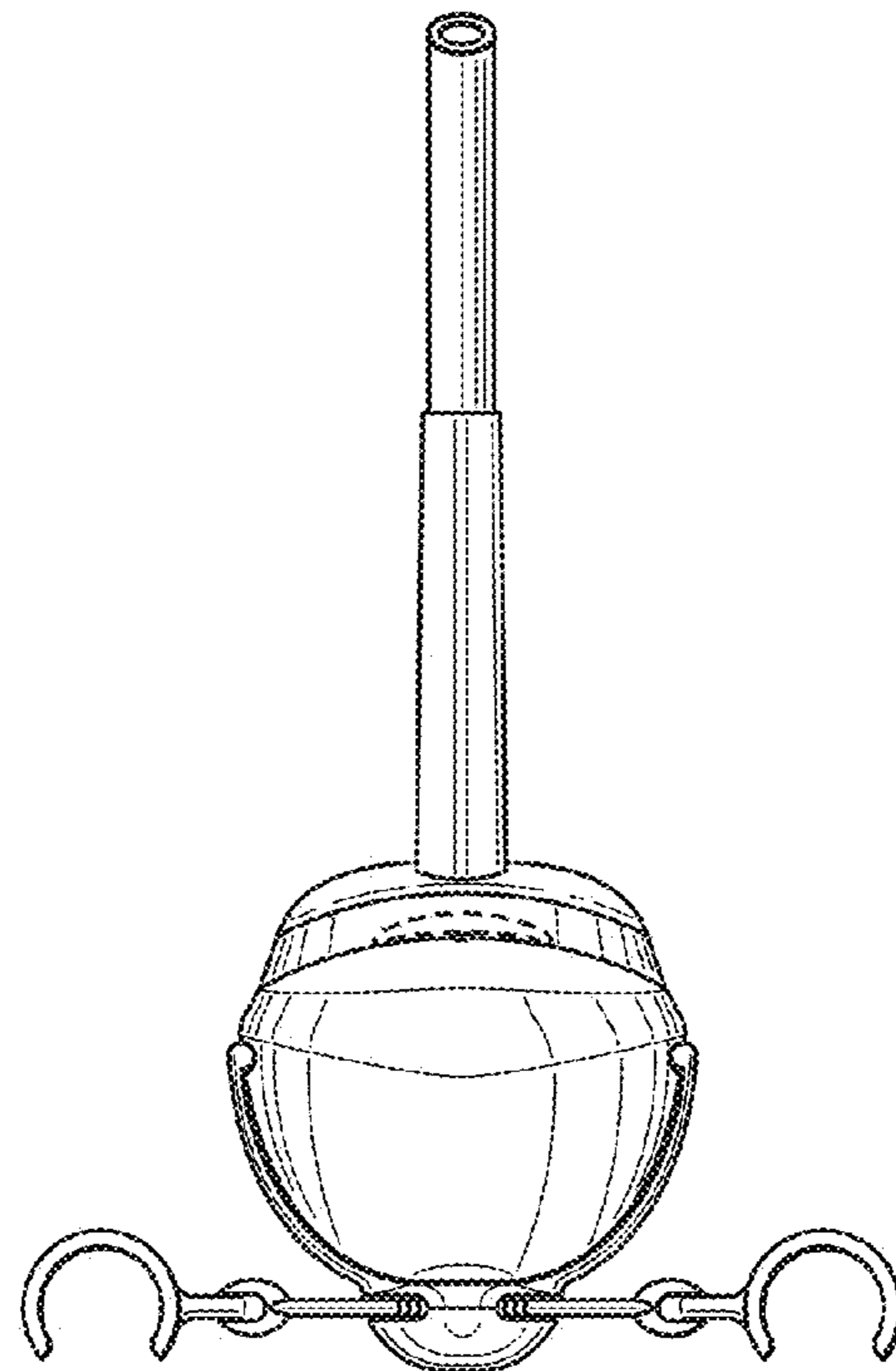


FIG.14